



US00D933010S

(12) **United States Design Patent** (10) **Patent No.:** **US D933,010 S**
Hansen et al. (45) **Date of Patent:** **** Oct. 12, 2021**

(54) **PORTABLE POWER SOURCE**

(71) Applicant: **MILWAUKEE ELECTRIC TOOL CORPORATION**, Brookfield, WI (US)

(72) Inventors: **Dalton F. Hansen**, Whitefish Bay, WI (US); **Duane W. Wenzel**, Waukesha, WI (US); **Emily C. Doberstein**, San Diego, CA (US); **Amanda M. Kachar**, West Allis, WI (US); **Dean W. Nowalis**, Franklin, WI (US); **Michael A. Matthews**, Milwaukee, WI (US)

(73) Assignee: **Milwaukee Electric Tool Corporation**, Brookfield, WI (US)

(**) Term: **15 Years**

(21) Appl. No.: **29/692,901**

(22) Filed: **May 29, 2019**

(51) **LOC (13) Cl.** **13-02**

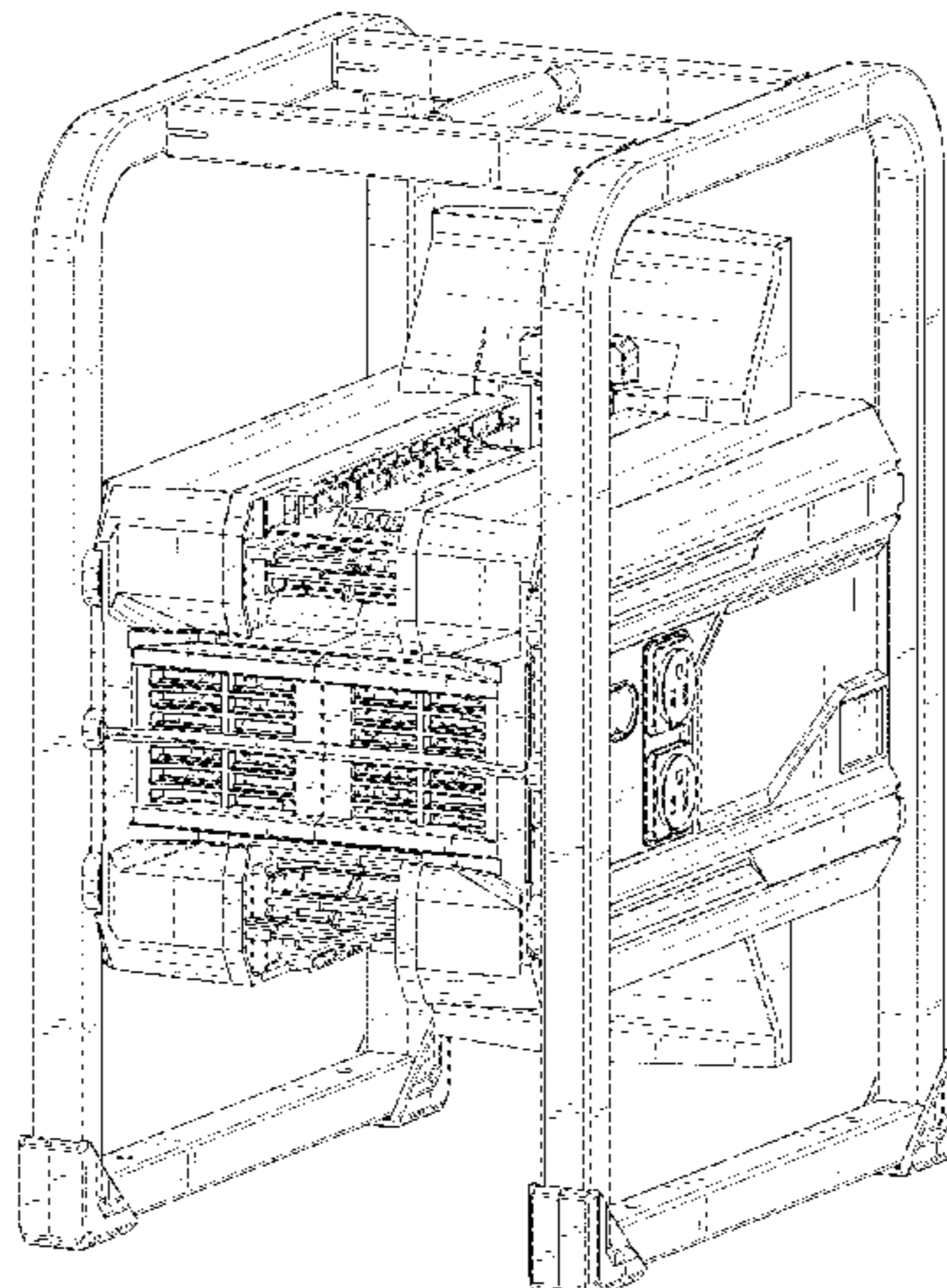
(52) **U.S. Cl.**
USPC **D13/110**

(58) **Field of Classification Search**
USPC D13/102, 110, 112, 116; D14/137, 168, D14/188, 189; D24/170, 232, 144, 138, D24/169; D26/37, 38, 39, 40, 41, 42, 43, D26/44, 45, 46, 47, 48, 49, 50
CPC A61B 18/1206; A61B 18/1402; A61B 18/1815; H01R 13/641; G05B 15/02
See application file for complete search history.

(56) **References Cited**

U.S. PATENT DOCUMENTS

5,111,127 A	5/1992	Johnson	5,910,723 A	6/1999	Perelle
5,350,317 A	9/1994	Weaver et al.	5,952,815 A	9/1999	Rouillard et al.
5,493,197 A	2/1996	Eguchi et al.	5,982,138 A	11/1999	Krieger
5,493,297 A	2/1996	Nguyen et al.	5,982,150 A	11/1999	Sudo et al.
5,631,533 A	5/1997	Imaseki	5,998,969 A	12/1999	Tsuji et al.
5,739,669 A	4/1998	Brühlhardt et al.	5,998,974 A	12/1999	Sudo et al.
5,742,148 A	4/1998	Sudo et al.	6,014,013 A	1/2000	Suppanz et al.
5,744,936 A	4/1998	Kawakami	6,054,841 A	4/2000	Sudo et al.
5,841,265 A	11/1998	Sudo et al.	6,075,343 A	6/2000	Hsu
			6,087,807 A	7/2000	Sudo et al.
			6,097,177 A	8/2000	Sudo et al.
			6,104,162 A	8/2000	Sainsbury et al.
			6,121,752 A	9/2000	Kitahara et al.
			6,127,808 A	10/2000	Sudo et al.
			6,181,108 B1	1/2001	Sudo et al.
			6,211,650 B1	4/2001	Mumaw et al.
			6,242,890 B1	6/2001	Sudo et al.
			6,262,561 B1	7/2001	Takahashi et al.
			6,268,711 B1	7/2001	Bearfield
			6,377,023 B1	4/2002	Capel
			6,403,251 B1	6/2002	Baggaley et al.
			6,579,215 B2	6/2003	Katoh et al.
			6,683,439 B2	1/2004	Takano et al.
			6,762,588 B2	7/2004	Miyazaki et al.
			6,806,680 B2	10/2004	Zeiler
			7,105,940 B2	9/2006	Weesner et al.
			7,180,200 B2	2/2007	Walter et al.
			7,190,841 B2	3/2007	Takahashi
			7,247,954 B1	7/2007	Dowdle
			7,336,054 B2	2/2008	Crisp et al.
			7,626,356 B2	12/2009	Elgie et al.
			7,667,341 B2	2/2010	Serdynski et al.
			7,781,902 B2	8/2010	Cerney et al.
			7,898,212 B2	3/2011	Benn et al.
			7,992,852 B2	8/2011	Marineau et al.
			8,080,972 B2	12/2011	Smith
			8,159,078 B2	4/2012	Usselman et al.
			8,198,759 B2	6/2012	Hurst et al.
			8,672,649 B2	3/2014	Smith et al.
			8,994,336 B2	3/2015	Brotto et al.
			9,024,570 B2	5/2015	Workman et al.
			9,166,422 B2	10/2015	Brotto et al.
			9,312,706 B2	4/2016	Workman et al.
			9,344,008 B2	5/2016	Brotto et al.
			9,385,351 B2	7/2016	Workman et al.
			9,388,953 B2	7/2016	Workman et al.
			9,430,370 B2	8/2016	Mergener
			9,467,862 B2	10/2016	Zeiler et al.
			9,515,500 B2	12/2016	Workman et al.
			9,525,293 B2	12/2016	Ito et al.
			9,531,199 B2	12/2016	Miller et al.
			9,553,481 B2	1/2017	Prommel et al.
			9,643,506 B2	5/2017	Lei



US D933,010 S

Page 2

9,899,853 B2 2/2018 Marinov et al.
 9,991,737 B2 6/2018 Mueckl et al.
 10,044,243 B2 * 8/2018 Janscha H02K 7/18
 D828,301 S * 9/2018 Wang D13/116
 D834,517 S * 11/2018 Fritz D13/116
 10,184,349 B2 * 1/2019 Schulte H01P 5/00
 10,190,223 B2 * 1/2019 Lin C25B 1/02
 10,273,864 B2 * 4/2019 Takahashi F01P 1/06
 10,288,251 B2 * 5/2019 Mestre F21S 45/49
 10,294,858 B2 * 5/2019 Lan F02B 63/048
 10,308,358 B2 * 6/2019 Phan B64C 39/024
 10,319,207 B1 * 6/2019 Janscha G08B 5/224
 10,361,606 B2 * 7/2019 Sautier F16F 13/105
 10,385,463 B2 * 8/2019 Lin C25B 15/08
 10,408,115 B2 * 9/2019 Okada F01M 1/02
 10,439,463 B2 * 10/2019 Allen H02K 3/505
 10,465,300 B2 * 11/2019 Lin A61M 16/107
 10,488,169 B2 * 11/2019 Rastegar F42C 11/008
 10,495,186 B2 * 12/2019 Lemmers, Jr. F02C 7/36
 10,516,321 B2 * 12/2019 Kobayashi H02K 9/22
 10,523,092 B2 * 12/2019 Akamatsu H02K 5/225
 D875,943 S * 2/2020 Dayton D24/158
 D878,293 S * 3/2020 Beyerlein D13/112
 D879,037 S * 3/2020 Simon D13/112
 D879,717 S * 3/2020 Simon D13/112
 D887,005 S * 6/2020 Lin D24/164
 10,811,885 B2 10/2020 Fry et al.
 2001/0004198 A1 6/2001 Matsuyama
 2001/0054878 A1 12/2001 Odaohhara
 2002/0011820 A1 1/2002 Suzuki et al.
 2002/0011822 A1 1/2002 Sakai et al.
 2002/0124192 A1 9/2002 Odaohhara
 2003/0044689 A1 3/2003 Miyazaki et al.
 2003/0227275 A1 12/2003 Kishi et al.
 2004/0001996 A1 1/2004 Sugimoto
 2004/0217737 A1 11/2004 Popescu
 2005/0044051 A1 2/2005 Selby et al.
 2005/0073282 A1 4/2005 Carrier et al.
 2005/0077878 A1 4/2005 Carrier et al.
 2005/0093514 A1 5/2005 Shimizu
 2005/0156564 A1 7/2005 Krieger
 2005/0226020 A1 10/2005 Asbery
 2005/0280393 A1 12/2005 Feldmann
 2006/0014054 A1 1/2006 Sugawara
 2006/0108984 A1 5/2006 Johnson et al.
 2006/0158037 A1 7/2006 Danley et al.
 2006/0286442 A1 12/2006 Flaugher
 2007/0019453 A1 1/2007 Pierce
 2007/0080586 A1 4/2007 Busick
 2007/0128505 A9 6/2007 Yahnker et al.
 2007/0285055 A1 12/2007 Meyer et al.
 2008/0003491 A1 1/2008 Yahnker et al.
 2008/0116748 A1 5/2008 Yeh
 2008/0180059 A1 7/2008 Carrier et al.
 2008/0203995 A1 8/2008 Carrier et al.
 2009/0014050 A1 1/2009 Haaf
 2009/0140694 A1 6/2009 Zeng
 2009/0146614 A1 6/2009 Carrier et al.
 2010/0181966 A1 6/2010 Sakakibara
 2012/0007446 A1 1/2012 Ro
 2012/0313431 A1 12/2012 Shum et al.
 2013/0043826 A1 2/2013 Workman et al.
 2013/0057074 A1 3/2013 Takano
 2014/0017528 A1 1/2014 Uehara et al.
 2014/0042975 A1 2/2014 Miller et al.
 2014/0107853 A1 4/2014 Ashinghurst et al.
 2014/0232343 A1 8/2014 Tadd et al.
 2014/0287273 A1 9/2014 Nguyen et al.
 2015/0171632 A1 6/2015 Fry et al.
 2015/0226021 A1 8/2015 Zhang et al.
 2016/0056731 A1 2/2016 Brotto et al.
 2016/0099575 A1 4/2016 Velderman et al.
 2016/0198636 A1 7/2016 Poole et al.
 2016/0261114 A1 9/2016 Brotto et al.
 2014/0040932 A1 2/2017 Lillywhite et al.
 2017/0040801 A1 2/2017 Robinson et al.
 2017/0047755 A1 2/2017 Workman et al.
 2017/0346321 A1 11/2017 Lemberg
 2018/0090957 A1 3/2018 Rao

2019/0075665 A1 3/2019 Choksi et al.
 2019/0103805 A1 4/2019 Zhu et al.
 2019/0109478 A1 4/2019 Zhu et al.

FOREIGN PATENT DOCUMENTS

CN	1009691 B	9/1990
CN	2153167 Y	1/1994
CN	2159081 Y	3/1994
CN	2198706 Y	5/1995
CN	2384366 Y	6/2000
CN	2421774 Y	2/2001
CN	1367565 A	9/2002
CN	1402375 A	3/2003
CN	1567645 A	1/2005
CN	2672886 Y	1/2005
CN	2676428 Y	2/2005
CN	1622423 A	6/2005
CN	1655416 A	8/2005
CN	202798104 U	3/2013
CN	203554047 U	4/2014
CN	105720624 A	6/2016
DE	8223987 U1	11/1982
DE	3700092 A1	7/1988
DE	19545833 A1	6/1997
DE	19705192 A1	10/1997
DE	10138983 A1	2/2003
GB	2312571 A	10/1997
GB	2349518 A	11/2000
JP	H0458470 A	2/1992
JP	H04105521 A	4/1992
JP	H08191547 A	7/1996
JP	H0928042 A	1/1997
JP	H0974689 A	3/1997
JP	H11234917 A	8/1999
JP	2001157367 A	6/2001
JP	2002247777 A	8/2002
JP	2002281685 A	9/2002
JP	2003061257 A	2/2003
JP	2005150079 A	6/2005
JP	2006050785 A	2/2006
JP	2006254535 A	9/2006
WO	1996017397 A1	6/1996
WO	1998039831 A1	9/1998
WO	1999025053 A1	5/1999
WO	2005091461 A1	9/2005
WO	2008010801 A2	1/2008
WO	2017118922 A1	7/2017

OTHER PUBLICATIONS

DeWalt 1800 Watt Portable Power Station DCB1800, YouTube video available at <<https://www.youtube.com/watch?v=-GiL2vmCB6g>> accessed on Sep. 30, 2019.
 DeWalt Portable Power Station & Charger—DCB1800, YouTube video available at <<https://www.youtube.com/watch?v=8w-uMmkJ2KE>> accessed on Sep. 30, 2019.
 DeWalt Portable Power Station & 60v and 20V Charger DCB1800—First Look, YouTube video available at <<https://www.youtube.com/watch?v=mPE32YCwJJA>> accessed Sep. 30, 2019.
 DeWalt 1800 Portable Power Station and Charger Documentation, tool was publicly available as early as Jul. 30, 2018 (37 pages).
 International Partial Search Report and Invitation to Pay Additional Fees for Application No. PCT/US/2019/023908 dated Jun. 11, 2019, 16 pages.
 International Search Report for International Application No. PCT/US2019/023908 dated Aug. 2, 2019, 9 pages.
 Written Opinion for International Application No. PCT/US2019/023908 dated Aug. 2, 2019, 15 pages.
 DeWalt, “DCB1800 1800 Watt Portable Power Station with Parallel Battery Charger,” Instruction Manual © 2016 (36 pages).
 DeWalt 1800 Watt Portable Power Station Testing—DCB1800, YouTube video available at <<https://www.youtube.com/watch?v=TDTw95y8-4c>> accessed May 7, 2021.

* cited by examiner

Primary Examiner — Manpreet S Matharu
Assistant Examiner — Suzanne E Tisdell
(74) *Attorney, Agent, or Firm* — Michael Best &
Friedrich LLP

(57) **CLAIM**

We claim the ornamental design for a portable power source,
as shown and described.

DESCRIPTION

FIG. 1 is a front perspective view of a portable power source
according to one construction.
FIG. 2 is a rear perspective view of the portable power
source shown in FIG. 1.
FIG. 3 is a front view of the portable power source shown
in FIG. 1.
FIG. 4 is a rear view the portable power source shown in
FIG. 1.
FIG. 5 is a first side view the portable power source shown
in FIG. 1.
FIG. 6 is a second side view the portable power source
shown in FIG. 1.

FIG. 7 is a top view the portable power source shown in FIG.
1.
FIG. 8 is a bottom view the portable power source shown in
FIG. 1.
FIG. 9 is a front perspective view of a portable power
according to another construction.
FIG. 10 is a rear perspective view of the portable power
source as shown in FIG. 9.
FIG. 11 is a front view of the portable power source as
shown in FIG. 9.
FIG. 12 is a rear view of the portable power source as shown
in FIG. 9.
FIG. 13 is one side view of the portable power source as
shown in FIG. 9.
FIG. 14 is another side view of the portable power source as
shown in FIG. 9.
FIG. 15 is a top view of the portable power source as shown
in FIG. 9; and,
FIG. 16 is a bottom view of the portable power source as
shown in FIG. 9.
The broken lines in the drawings show portions of the
portable power source that form no part of the claimed
design.

1 Claim, 16 Drawing Sheets

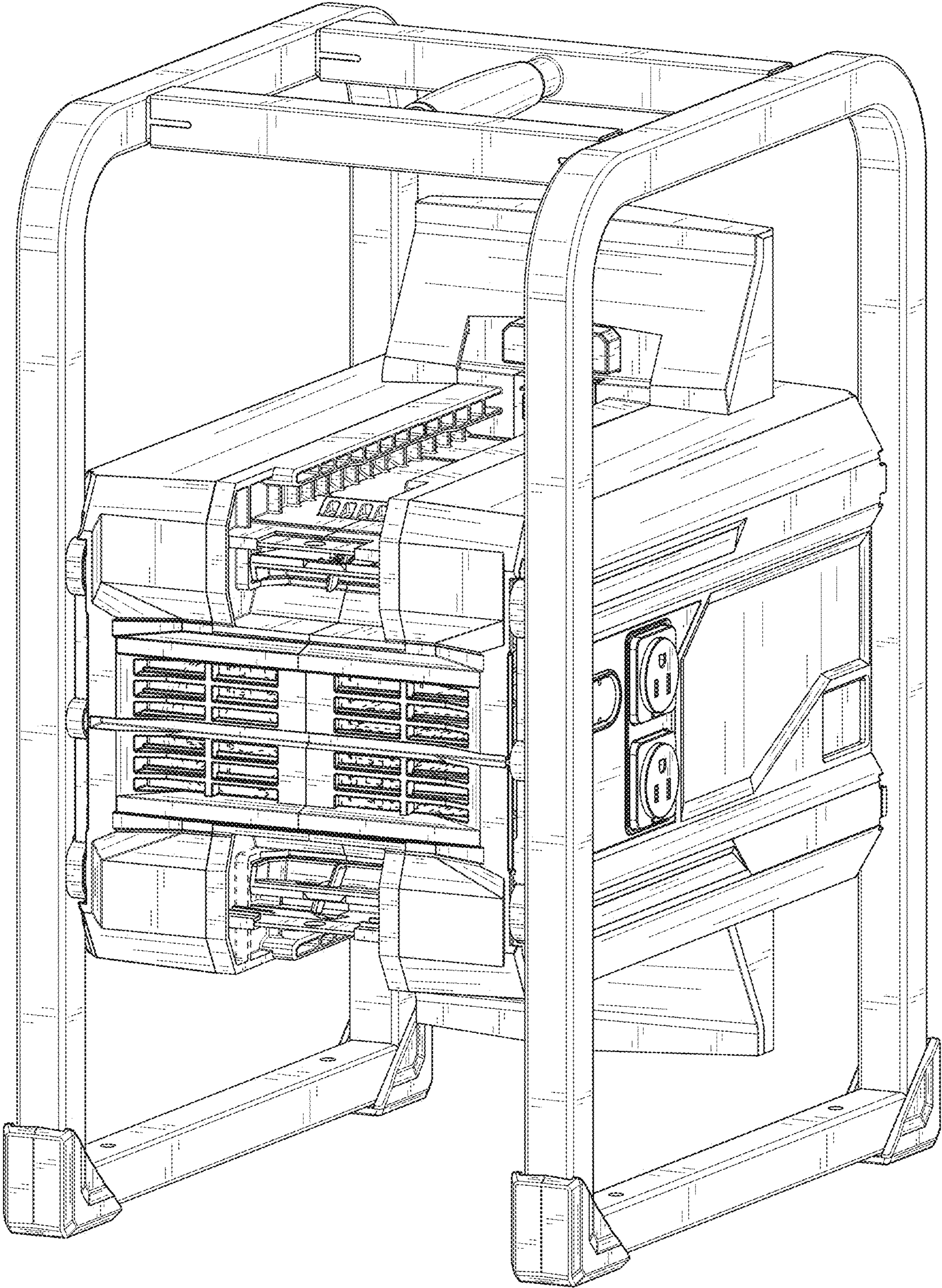


FIG. 1

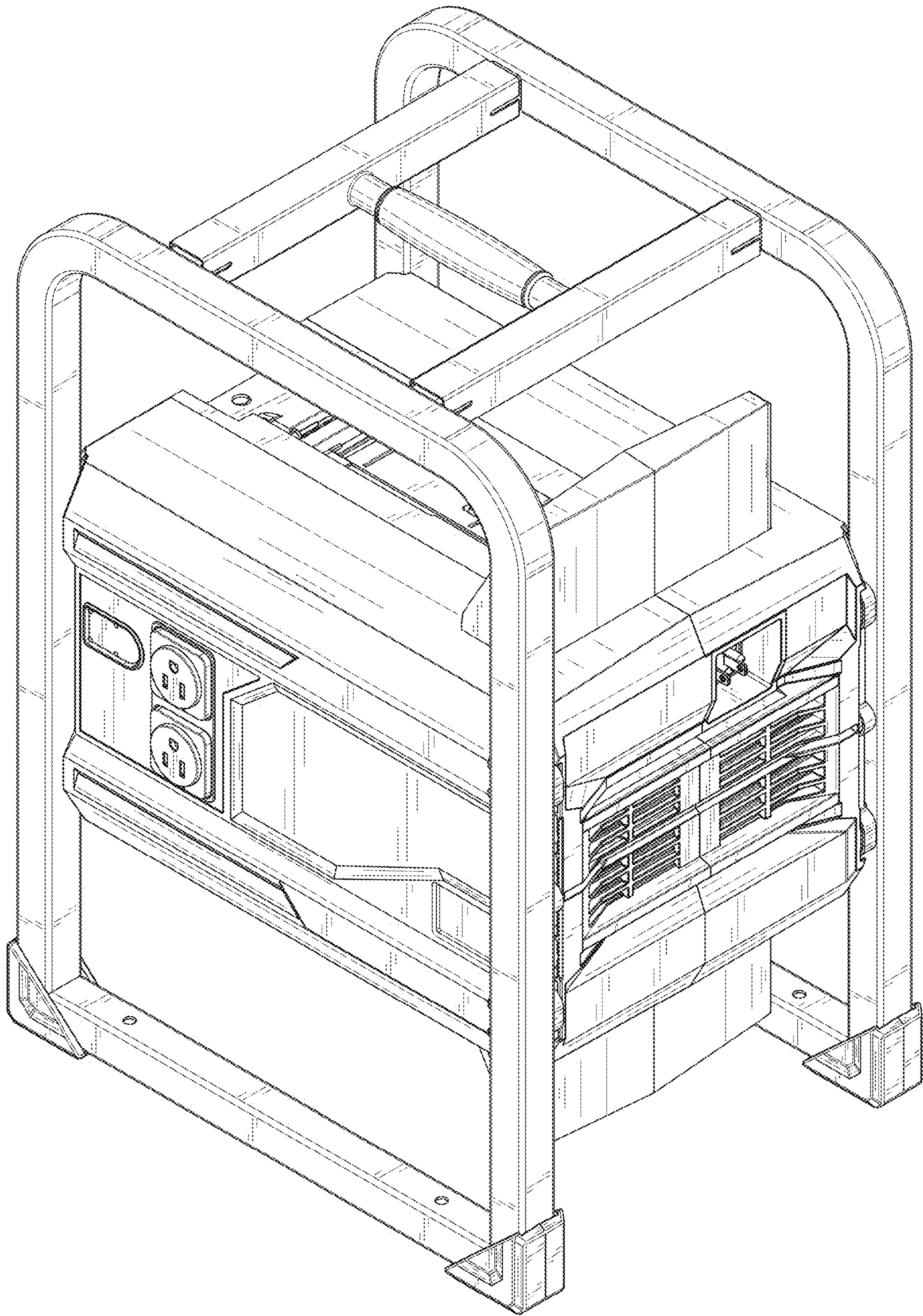


FIG. 2

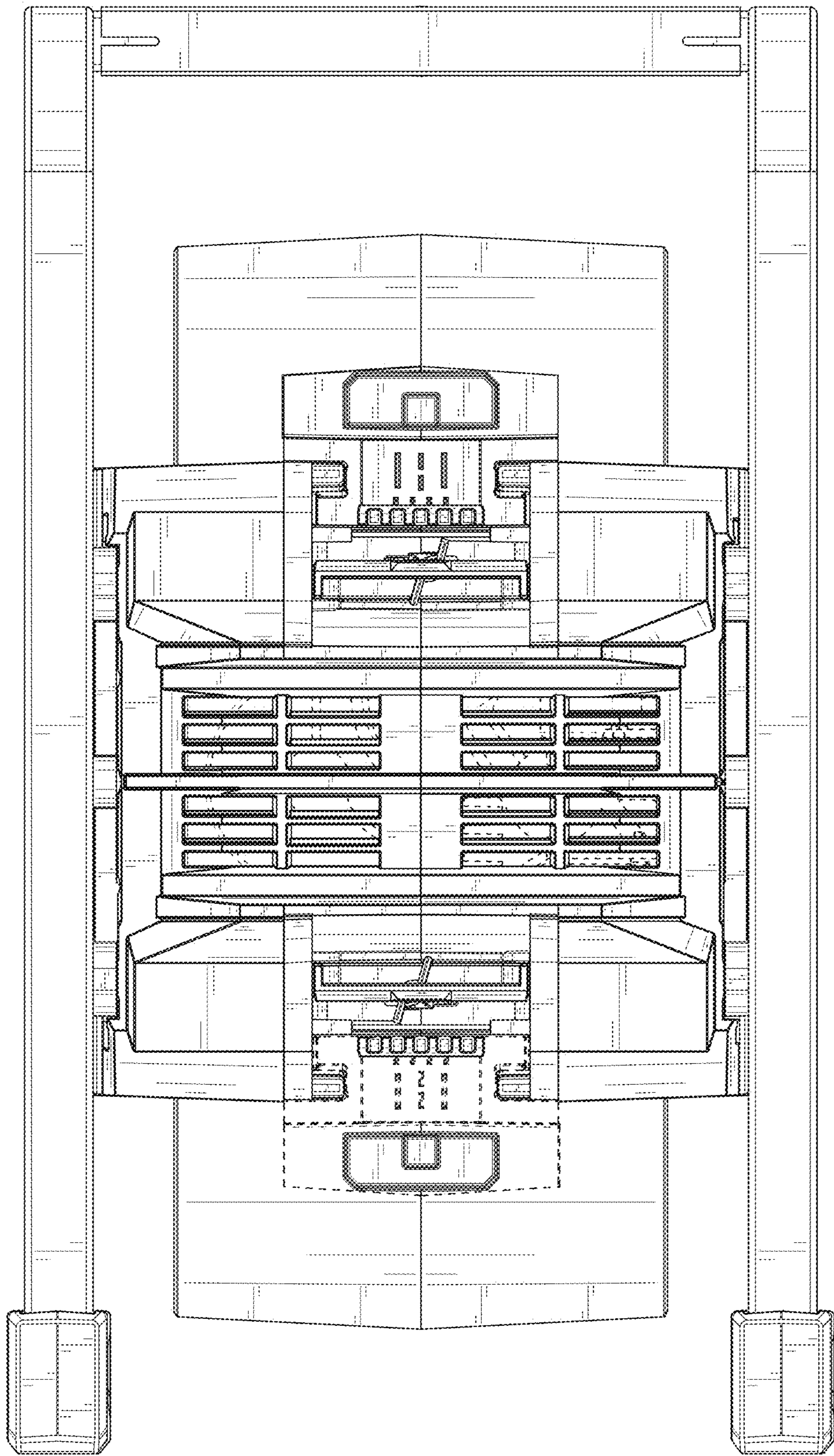


FIG. 3

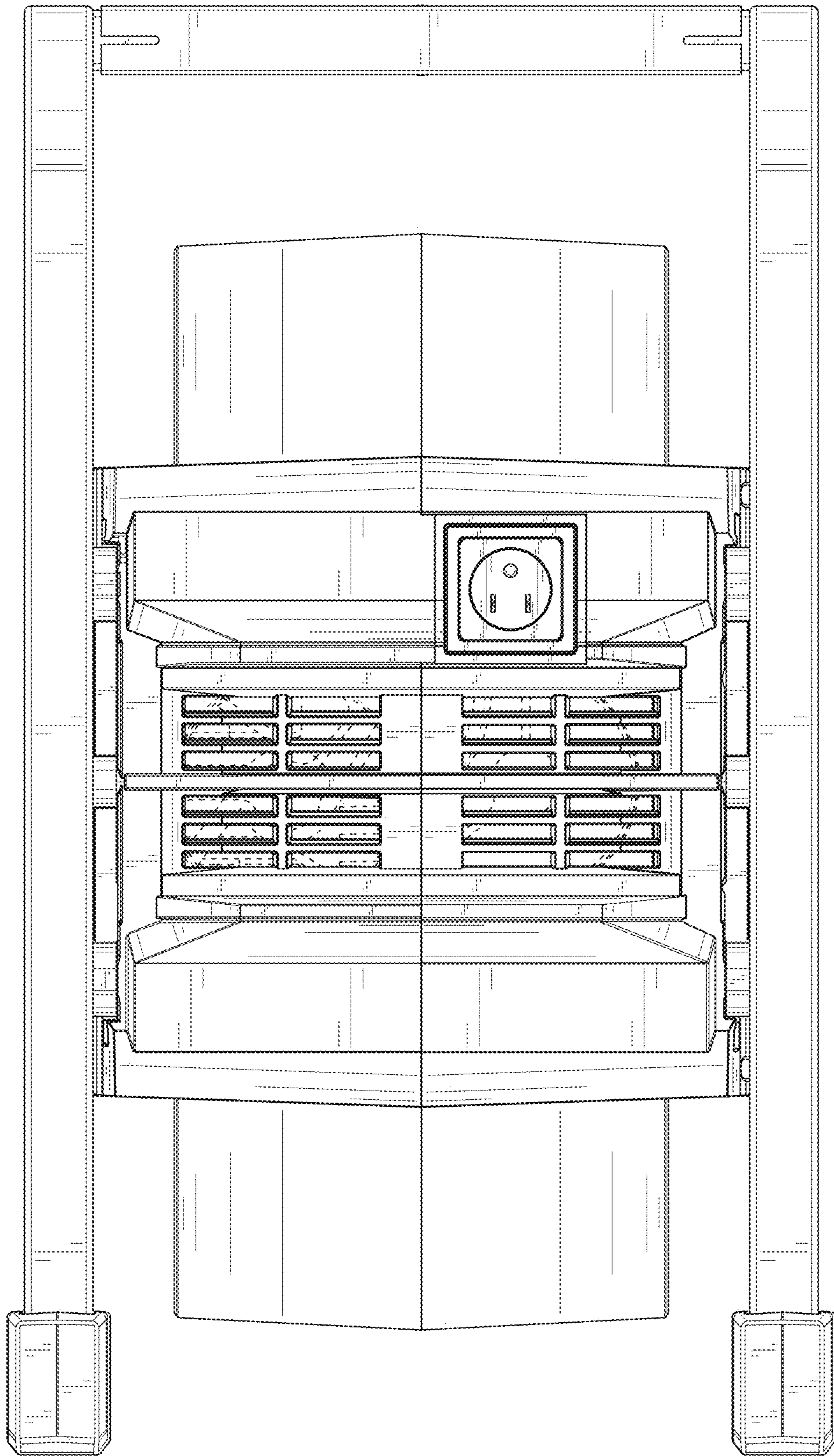


FIG. 4

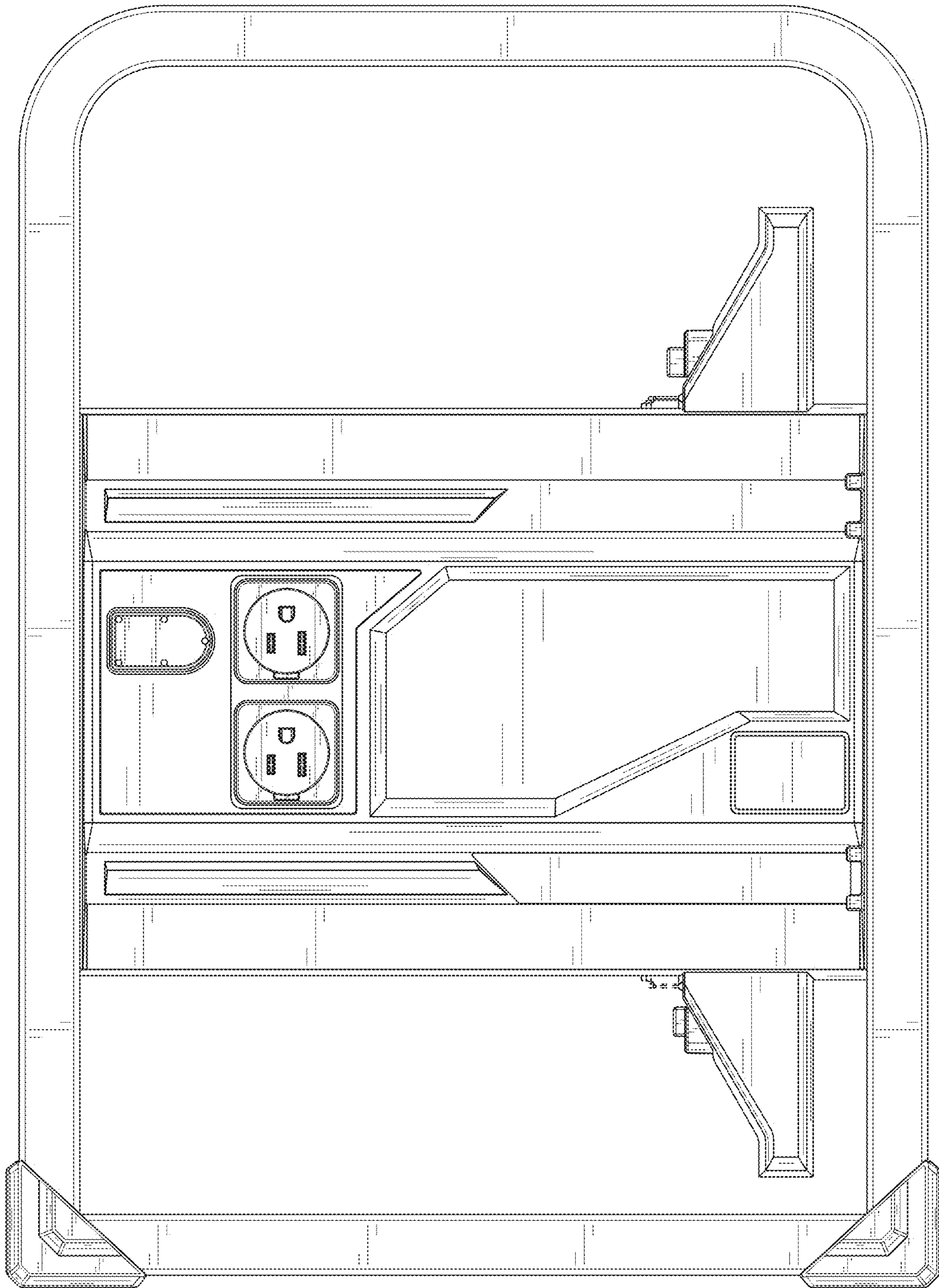


FIG. 5

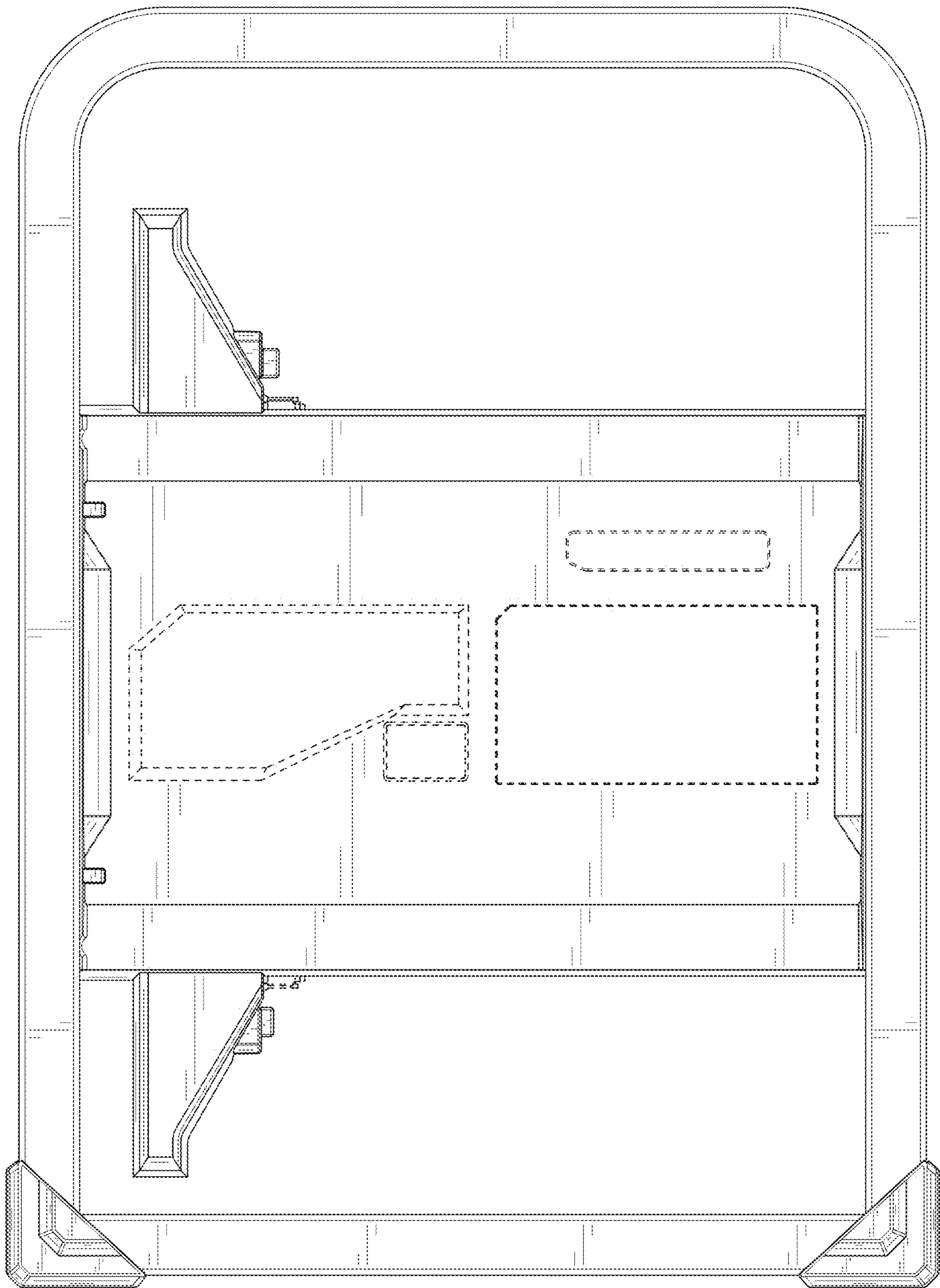


FIG. 6

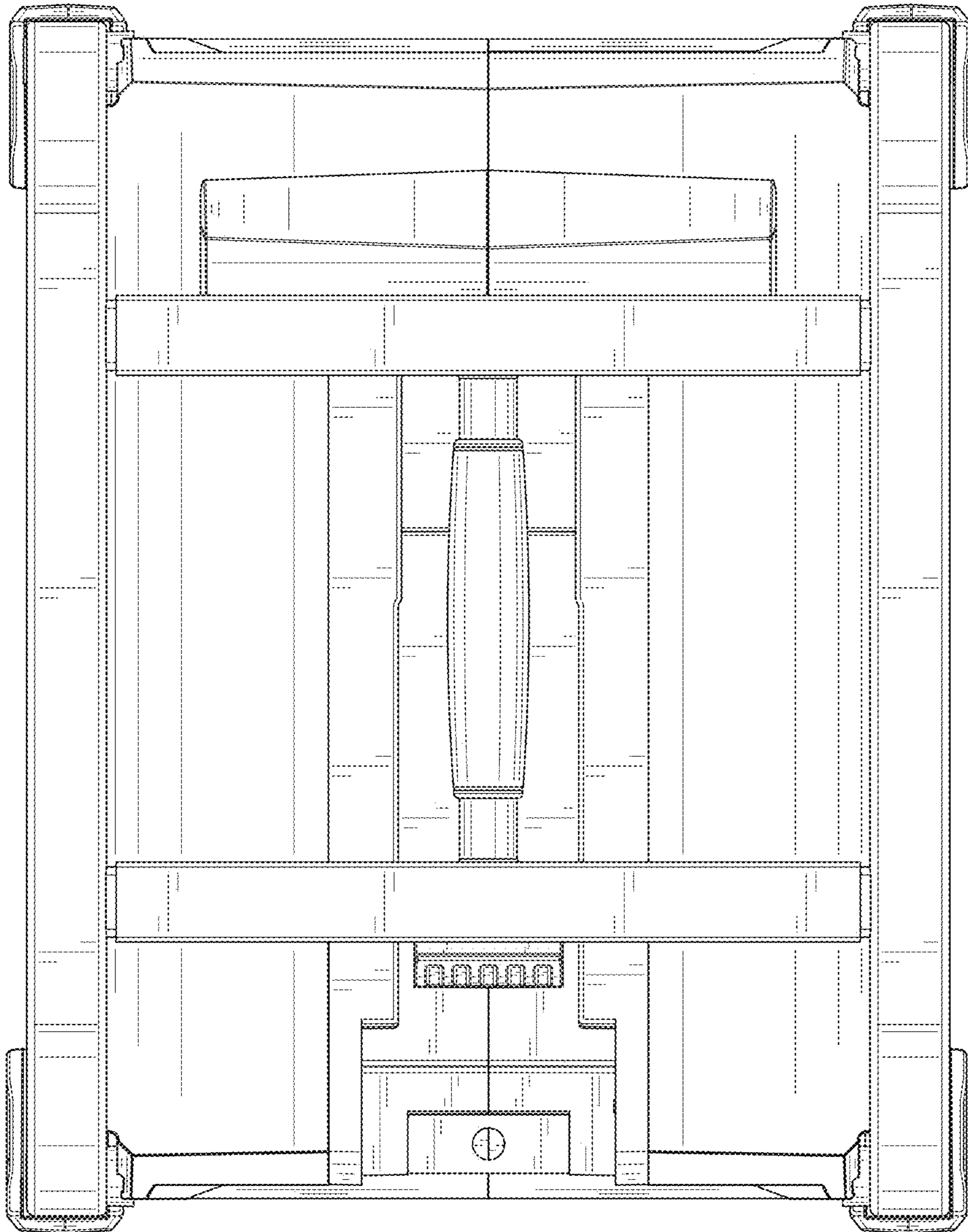


FIG. 7

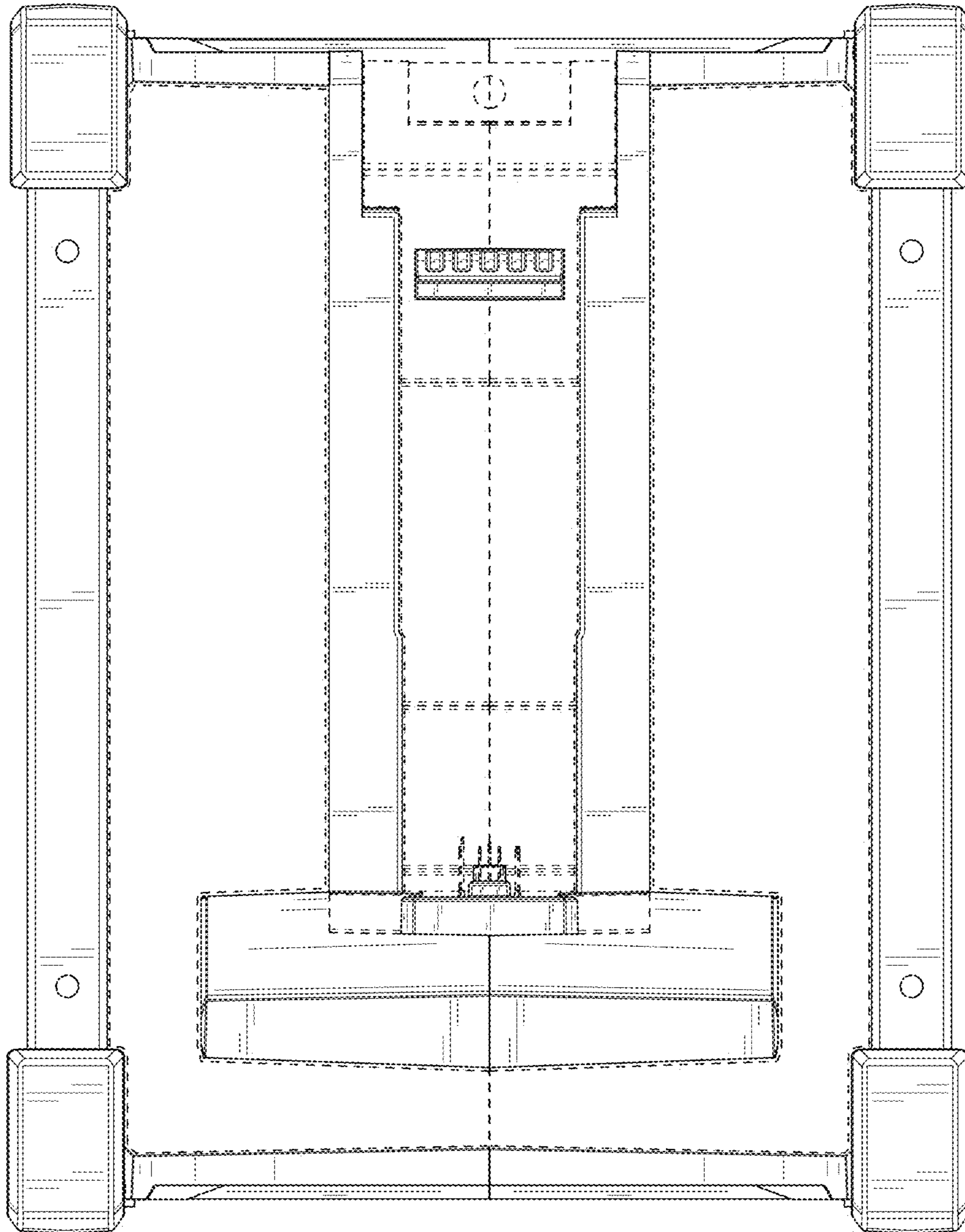


FIG. 8

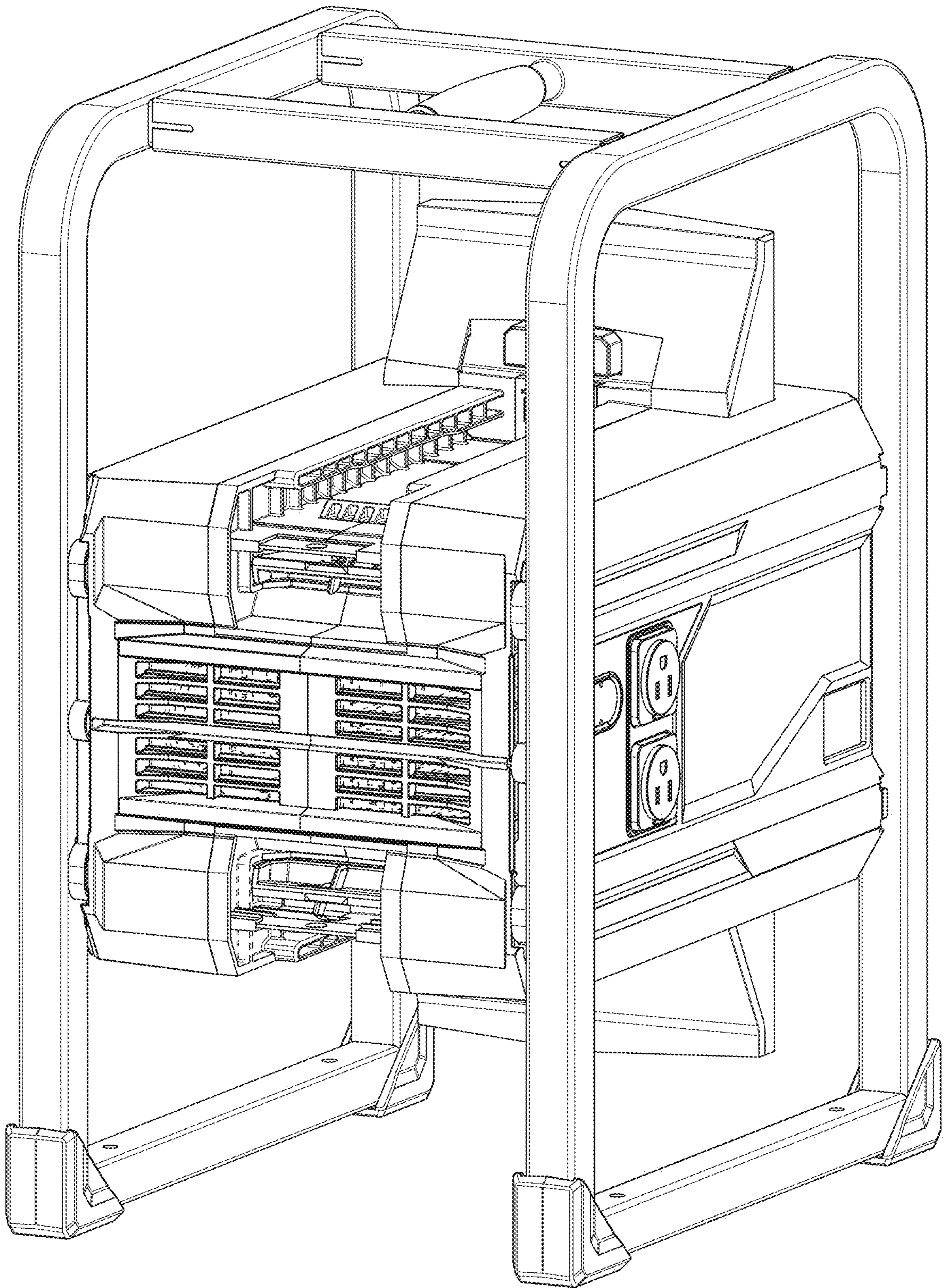


FIG. 9

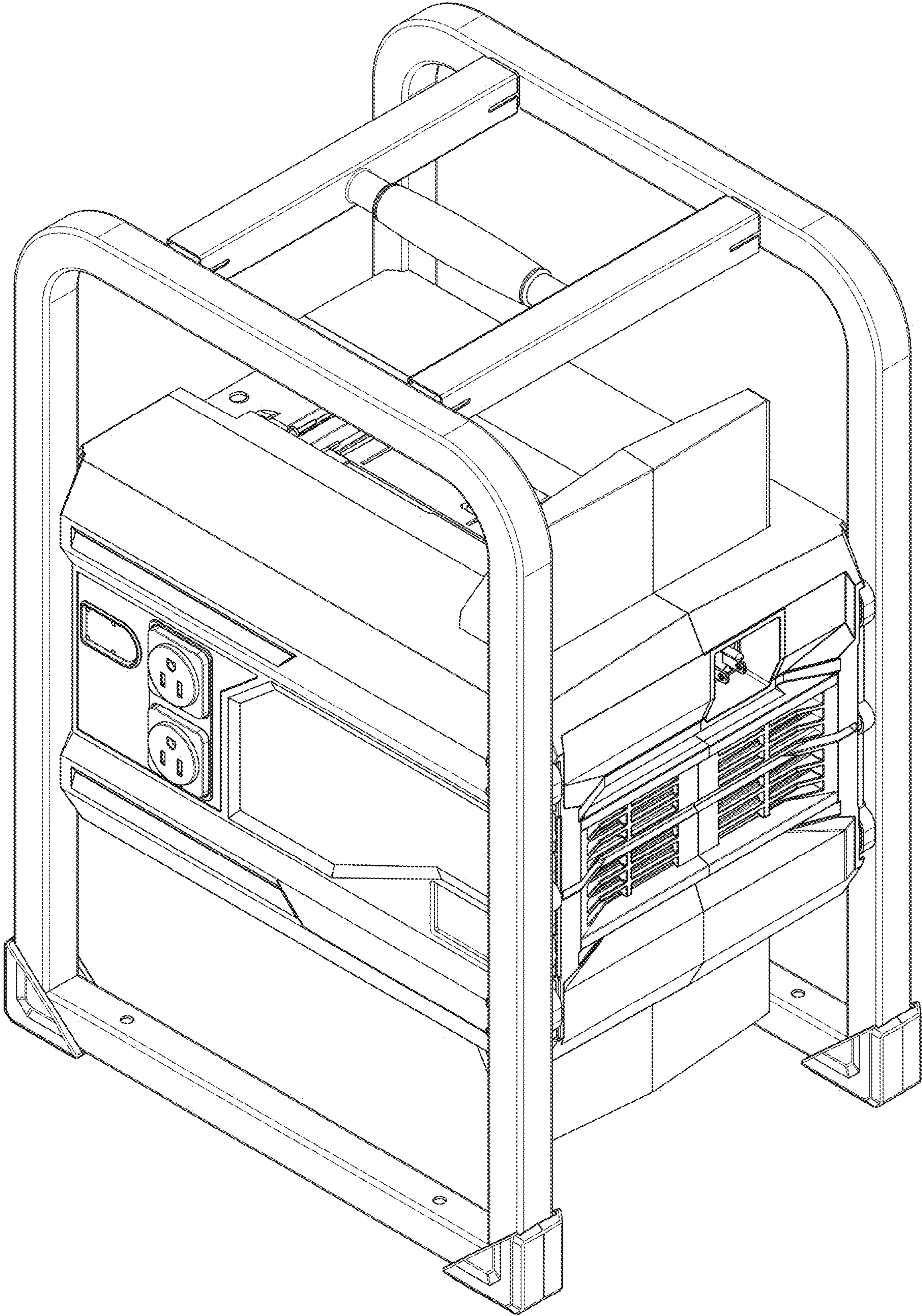


FIG. 10

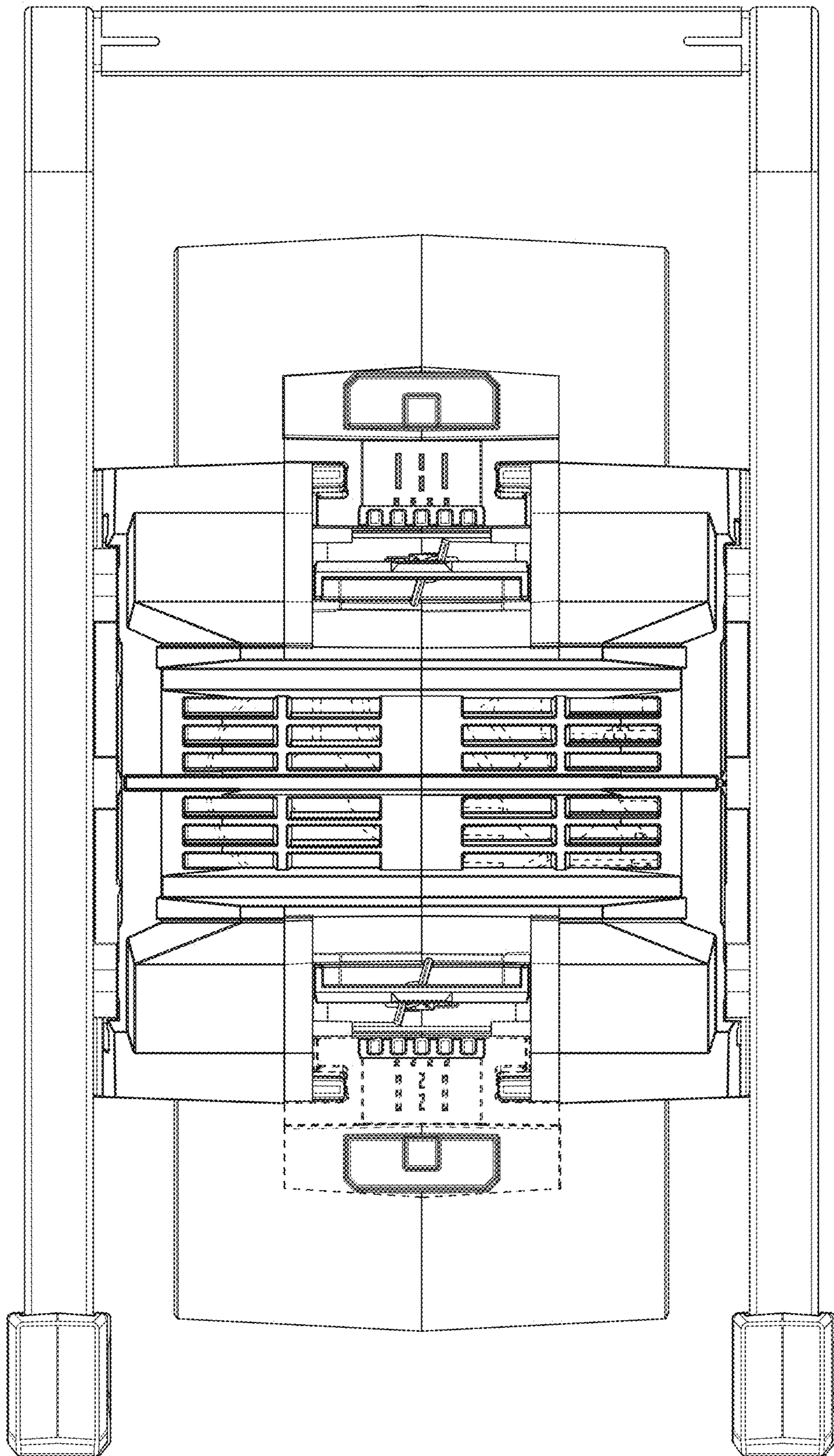


FIG. 11

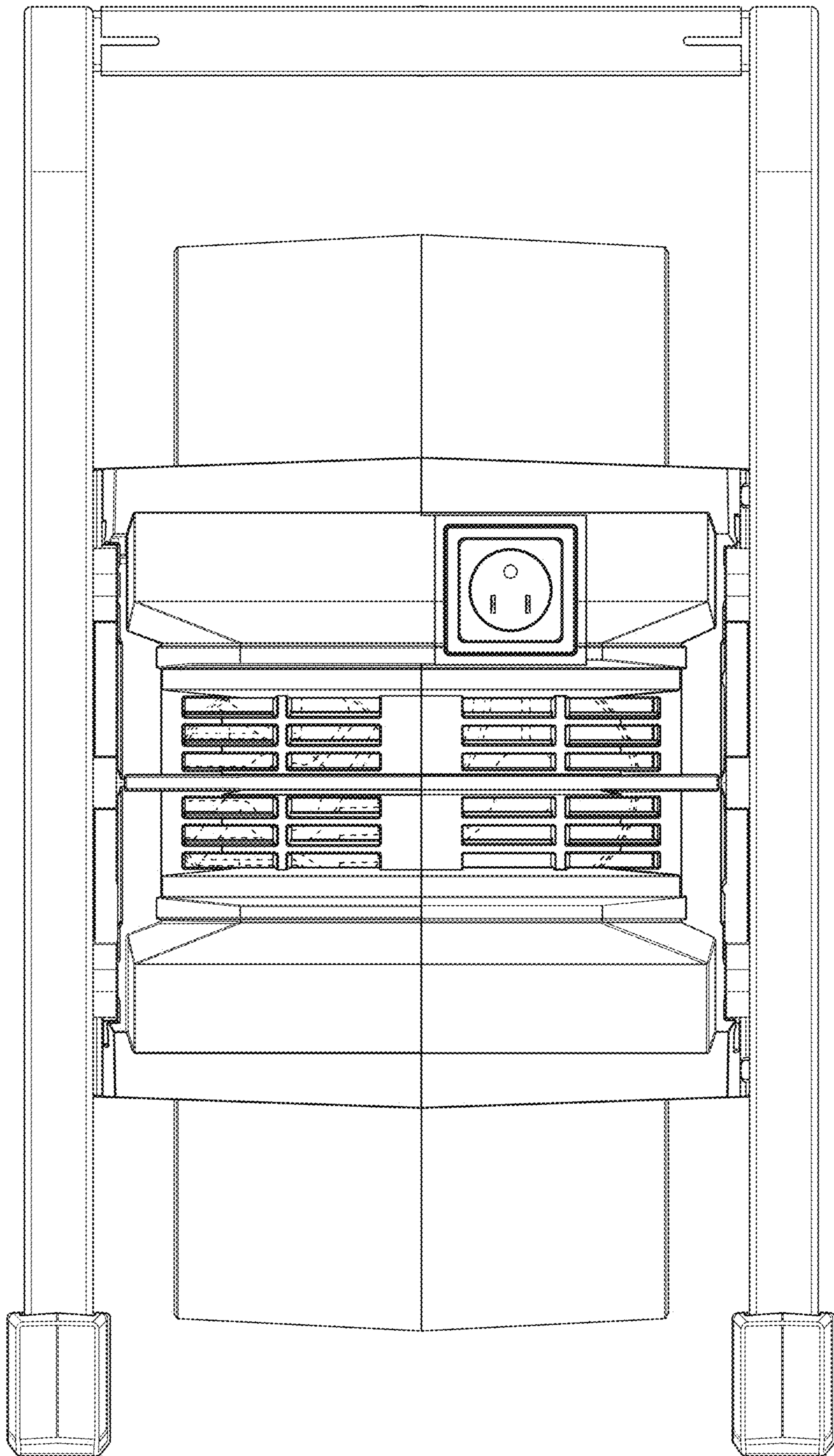


FIG. 12

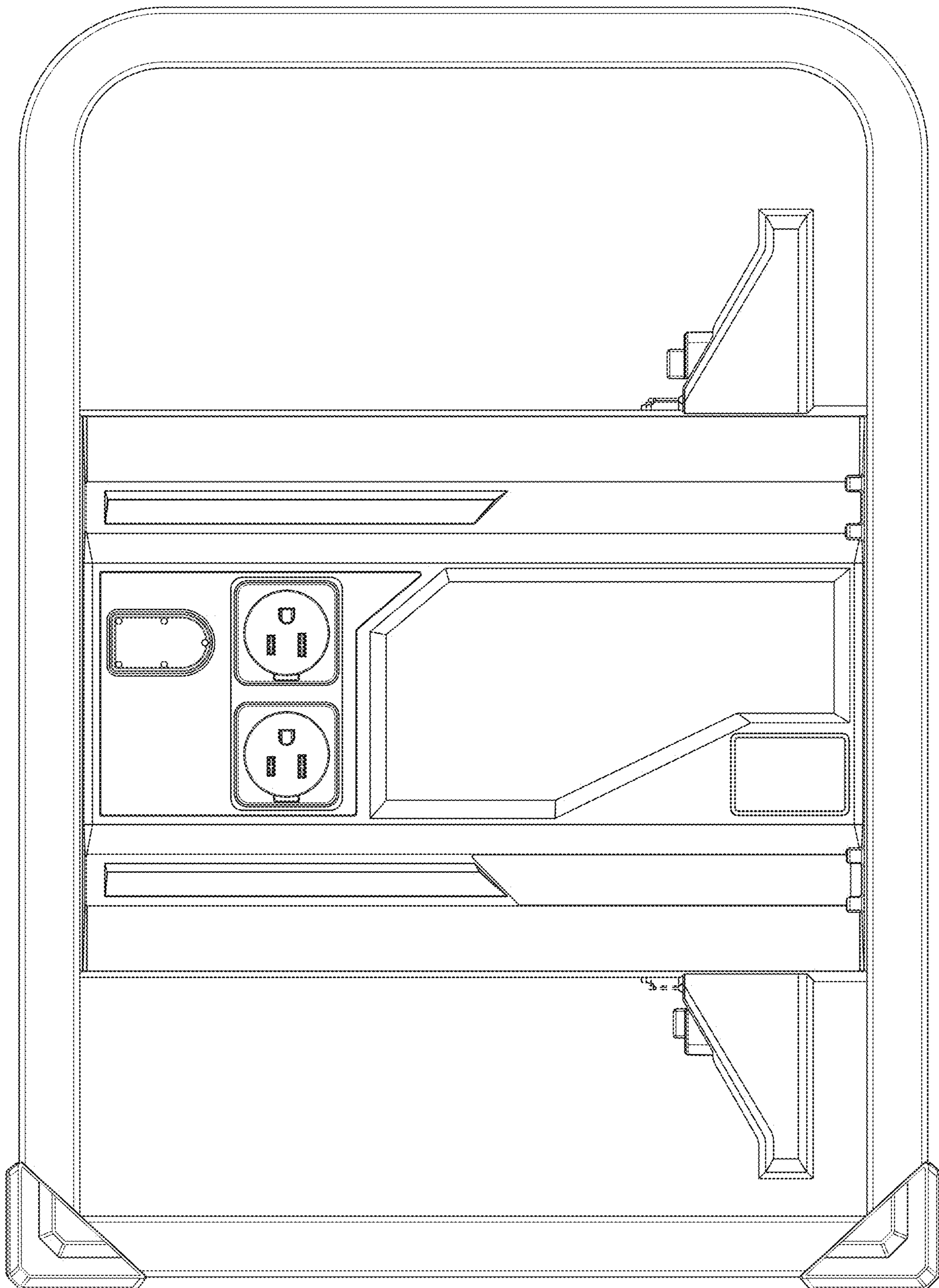


FIG. 13

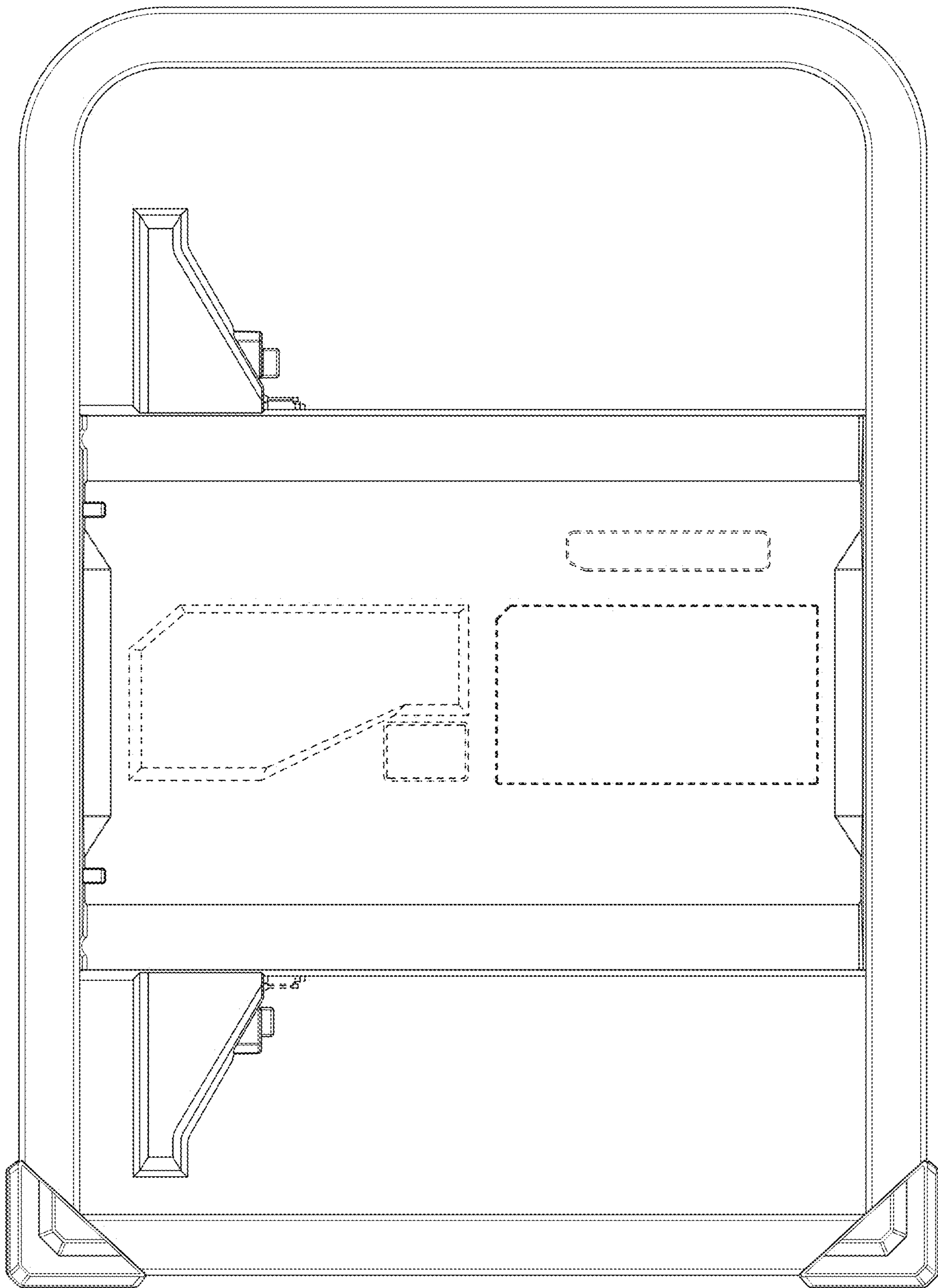


FIG. 14

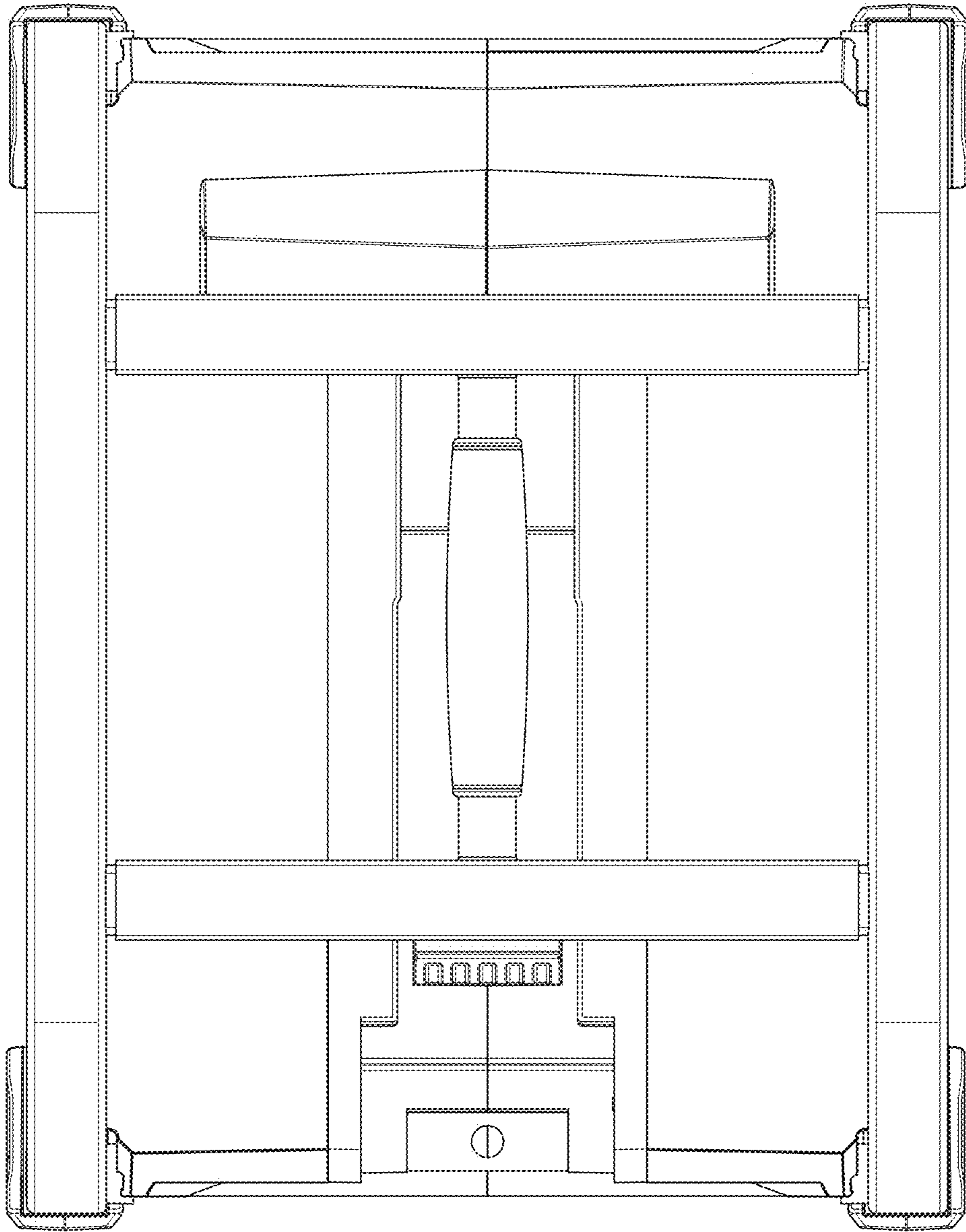


FIG. 15

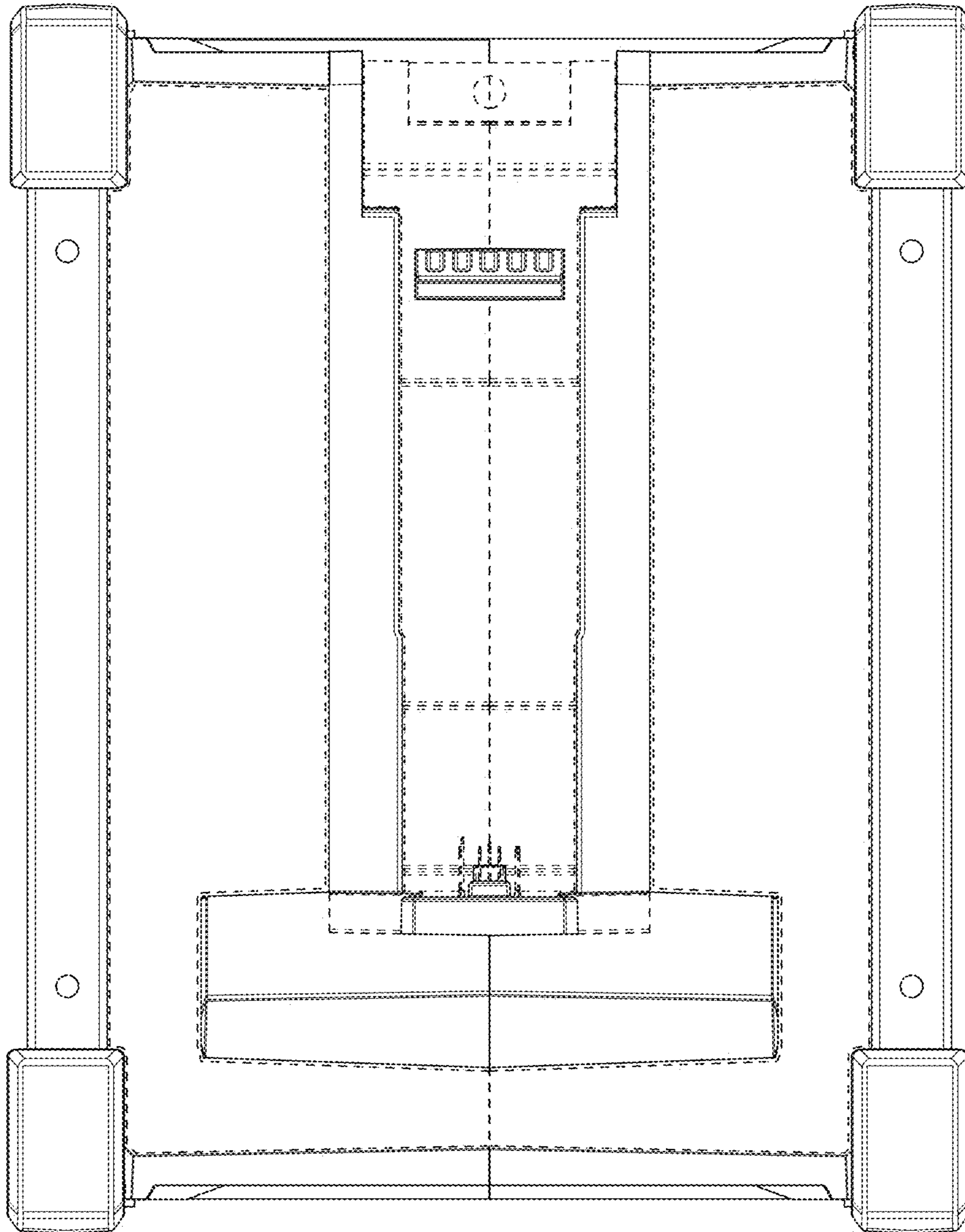


FIG. 16