



US00D933009S

(12) **United States Design Patent**
Deng et al.

(10) **Patent No.:** **US D933,009 S**

(45) **Date of Patent:** **** Oct. 12, 2021**

(54) **MOTOR DRIVE HOUSING**

(71) Applicant: **Eaton Intelligent Power Limited,**
Dublin (IE)

(72) Inventors: **Amy Deng,** Shenzhen (CN); **David Dai,** Shenzhen (CN); **Kevin Yang,** Shenzhen (CN); **Chris Qi,** Shenzhen (CN); **Jerry Tang,** Shenzhen (CN)

(73) Assignee: **Eaton Intelligent Power Limited,**
Dublin (IE)

(**) Term: **15 Years**

(21) Appl. No.: **29/686,772**

(22) Filed: **Apr. 8, 2019**

(51) **LOC (13) Cl.** **13-02**

(52) **U.S. Cl.**
USPC **D13/110; D15/148**

(58) **Field of Classification Search**
USPC D13/110, 162; D15/138, 148, 149
CPC F02B 63/04; G08B 21/02; G08B 21/18;
G01R 31/343; H02K 3/24; H02K 3/47
See application file for complete search history.

(56) **References Cited**

U.S. PATENT DOCUMENTS

D366,243 S *	1/1996	Kurokawa	D13/162
D366,244 S *	1/1996	Kurokawa	D13/162
D366,245 S *	1/1996	Kurokawa	D13/162
D366,867 S *	2/1996	Kurokawa	D13/162
D376,785 S *	12/1996	Ikeda	D13/110
D449,817 S *	10/2001	Takeuchi	D13/110
D490,752 S *	6/2004	Meyers	D12/126
D500,761 S *	1/2005	Roatis	D20/8
D563,316 S *	3/2008	Higuchi	D13/110
D563,317 S *	3/2008	Higuchi	D13/110
D595,225 S *	6/2009	Juva	D13/110
D608,300 S *	1/2010	Boyland	D13/162
D619,104 S *	7/2010	Boyland	D13/162
D631,436 S *	1/2011	Huang	D13/110

D653,616 S *	2/2012	Choi	D13/110
D654,024 S *	2/2012	Choi	D13/110
D794,559 S *	8/2017	Schroedel	D13/112
D906,960 S *	1/2021	Kato	D13/110
D906,962 S *	1/2021	Kato	D13/110

(Continued)

OTHER PUBLICATIONS

“PowerXL DE1 Variable Speed Starter,” MN040015EN, Quick Start Guide, Feb. 2015, 15 total pages.

(Continued)

Primary Examiner — Patricia A Palasik

(74) *Attorney, Agent, or Firm* — DiBerardino McGovern IP Group LLC

(57) **CLAIM**

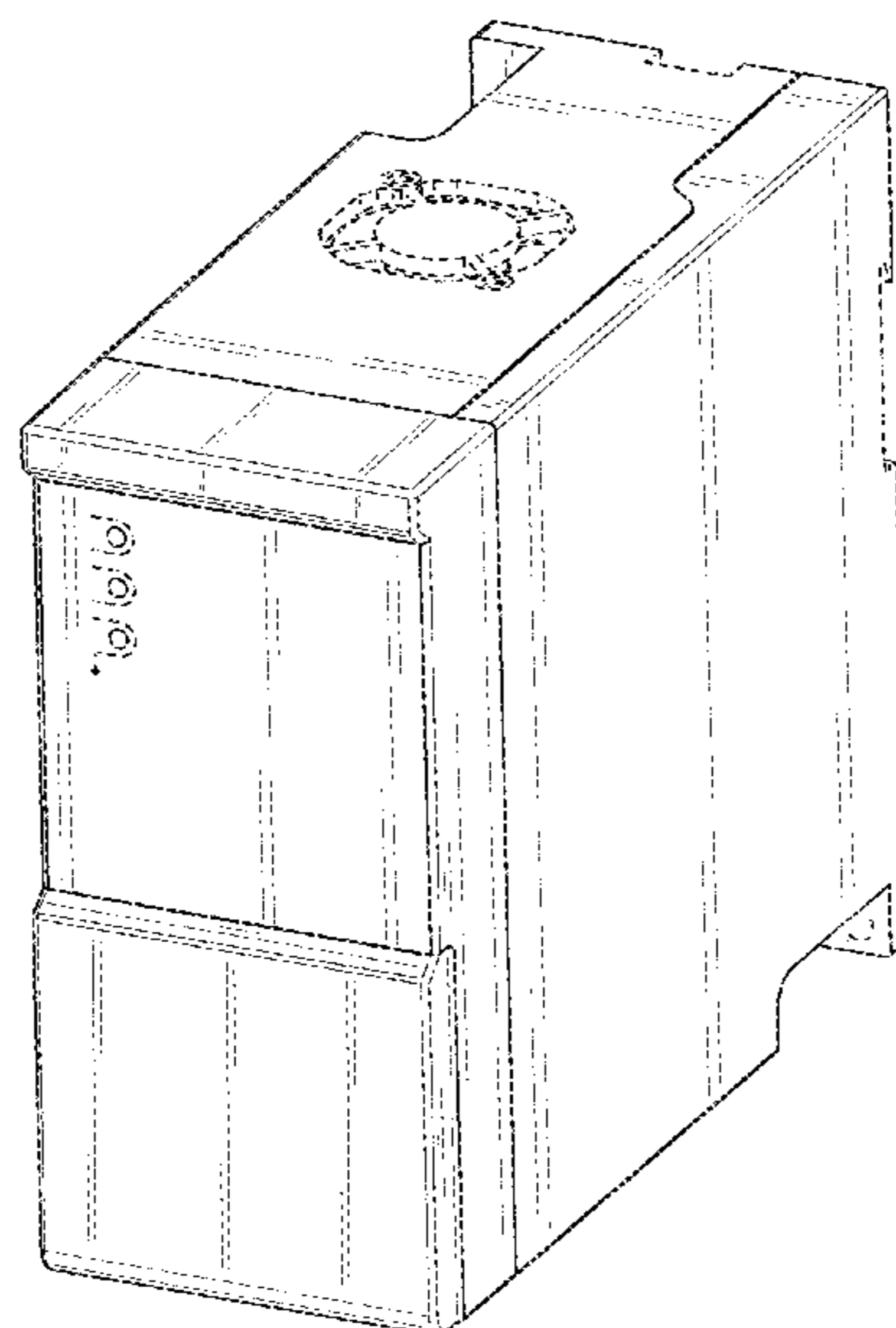
The ornamental design for a motor drive housing, as shown and described.

DESCRIPTION

FIG. 1 is an upper right side perspective view of an example motor drive housing;
FIG. 2 is a front elevational view of the motor drive housing of FIG. 1;
FIG. 3 is a rear elevational view of the motor drive housing of FIG. 1;
FIG. 4 is a left side elevational view of the motor drive housing of FIG. 1;
FIG. 5 is a right side elevational view of the motor drive housing of FIG. 1;
FIG. 6 is a top plan view of the motor drive housing of FIG. 1; and,
FIG. 7 is a rear plan view of the motor drive housing of FIG. 1.

The short-dashed lines of FIGS. 1-7 are for illustration of a boundary between claimed subject matter and unclaimed subject matter and form no part of the claimed design.

1 Claim, 7 Drawing Sheets



(56)

References Cited

U.S. PATENT DOCUMENTS

D906,963 S * 1/2021 Kato D13/110
2020/0355526 A1 * 11/2020 Dwivedi G01R 31/343

OTHER PUBLICATIONS

“DC1 Variable Frequency Drives,” MN04020003Z-EN, Installation Manual, Apr. 2016, Title page, bibliography, and pp. 8-12; 7 total pages.

“One source for engineering, manufacturing and support,” Variable frequency drive, Product overview, Jul. 2016, 4 total pages.

* cited by examiner

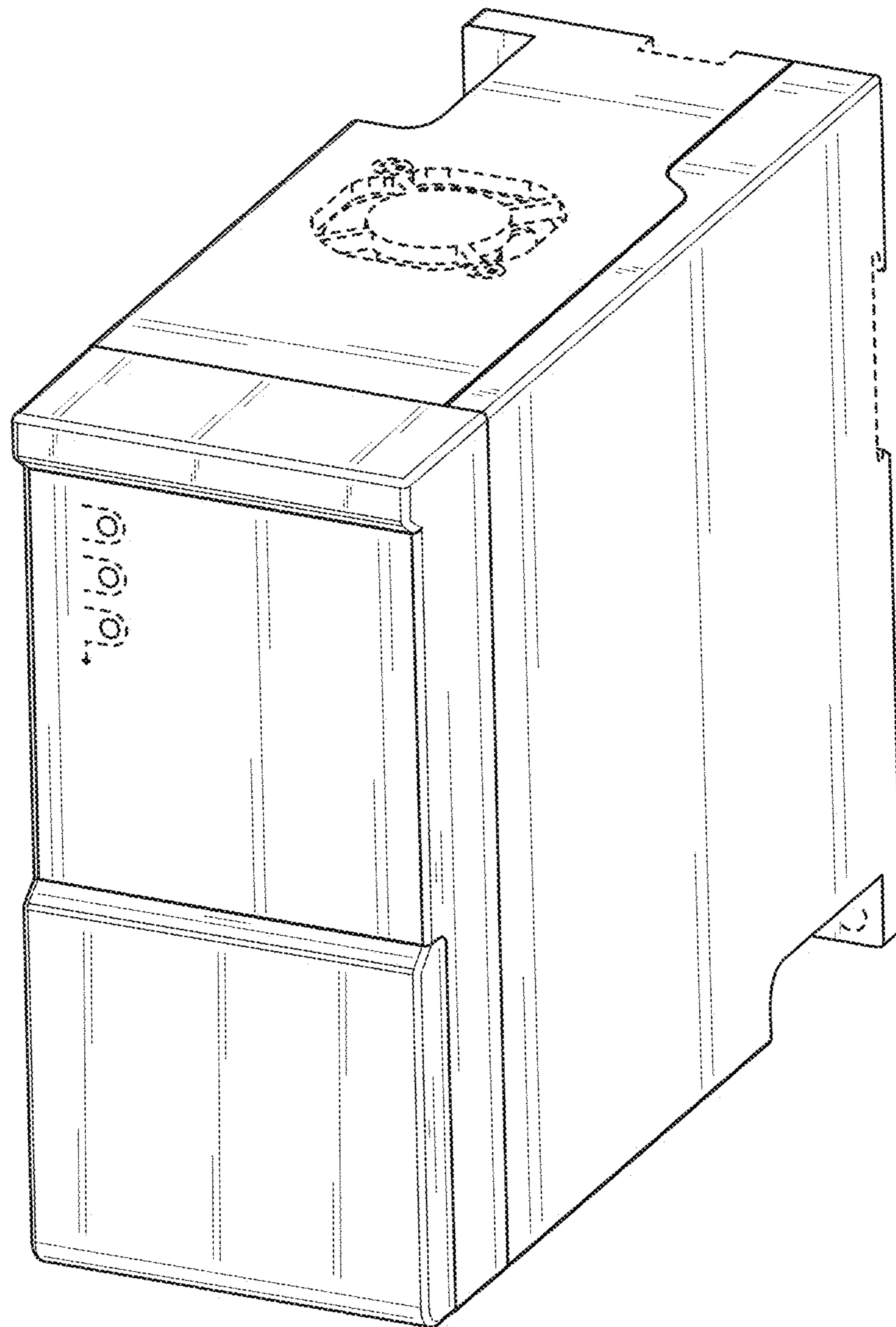


FIG. 1

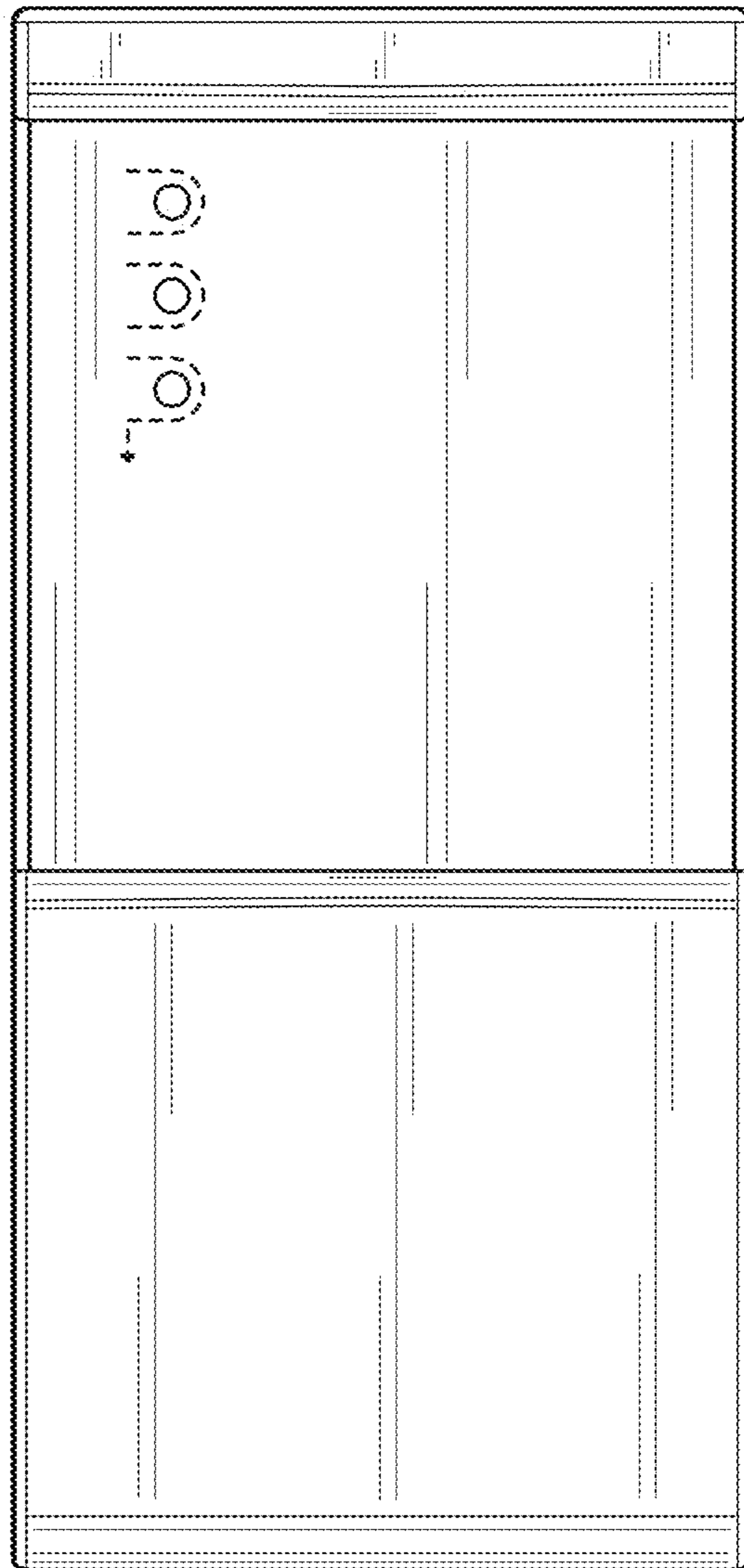


FIG. 2

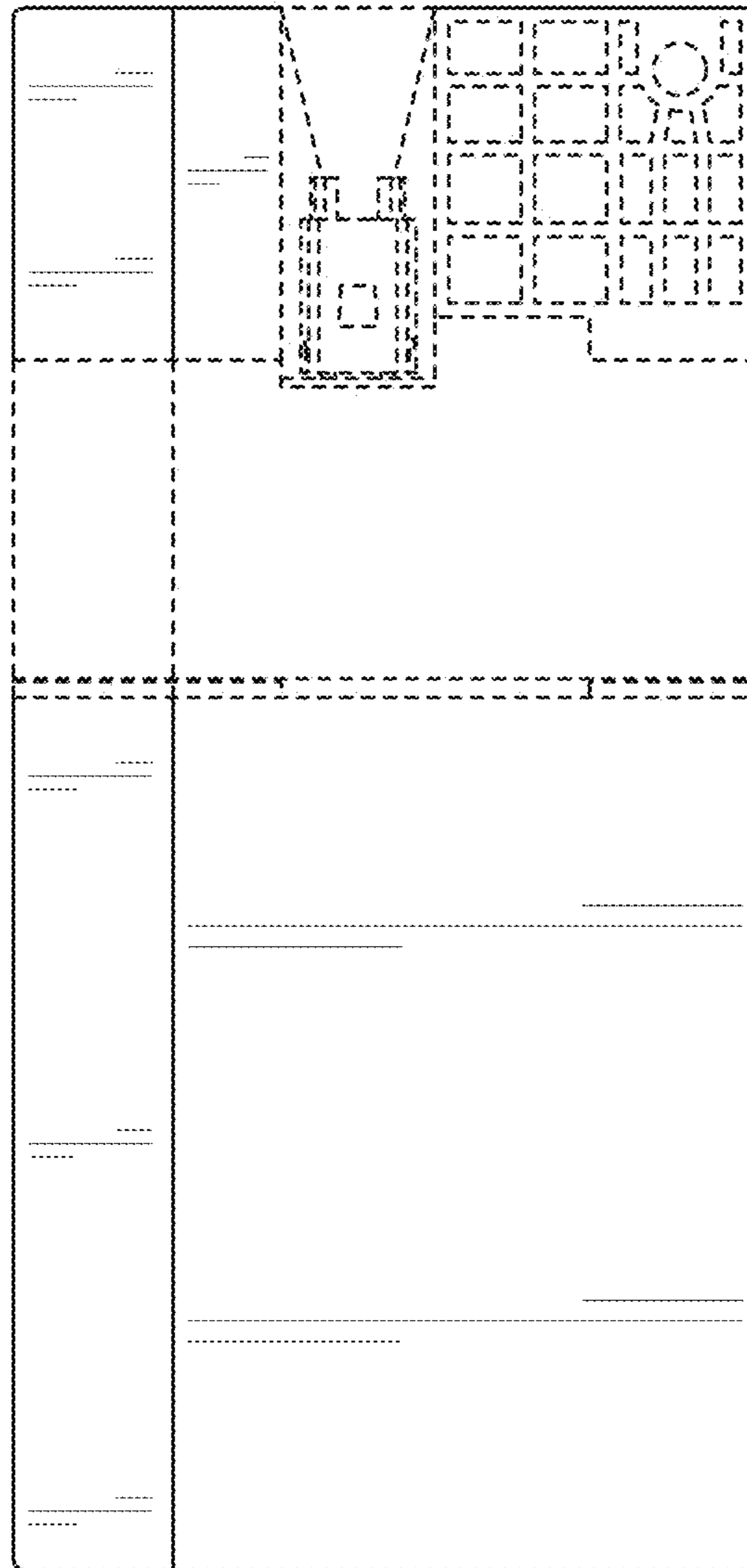


FIG. 3

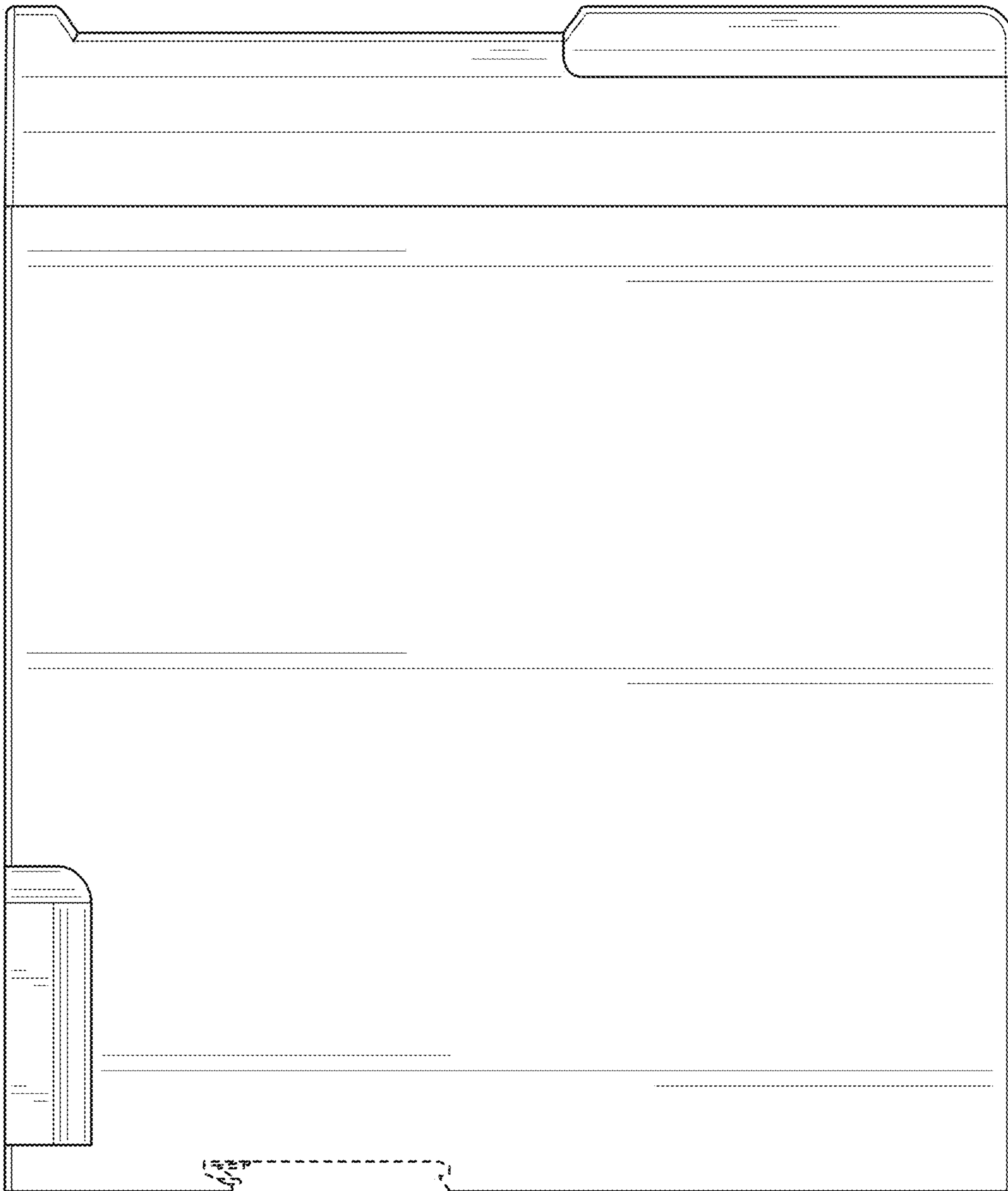


FIG. 4

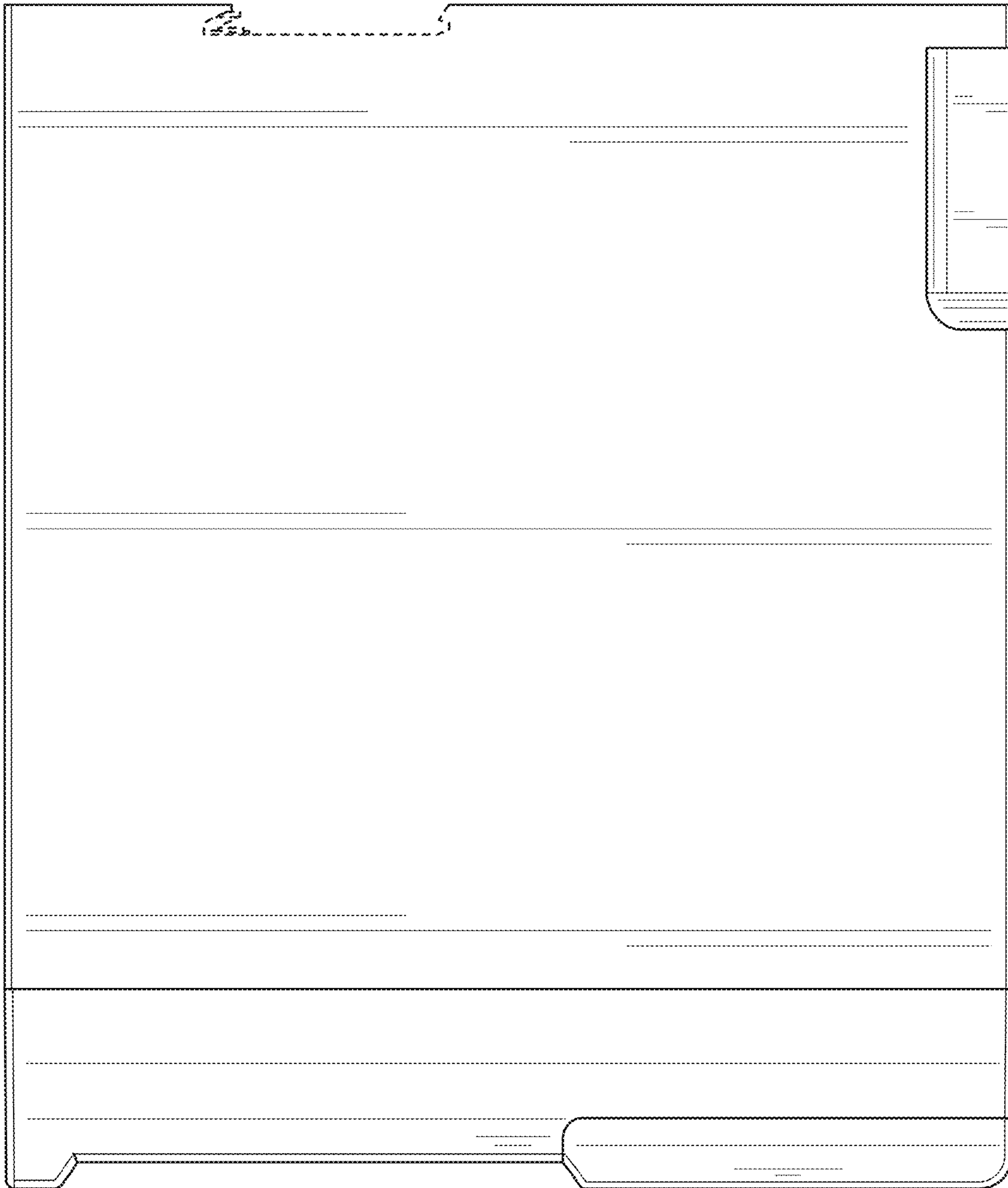


FIG. 5

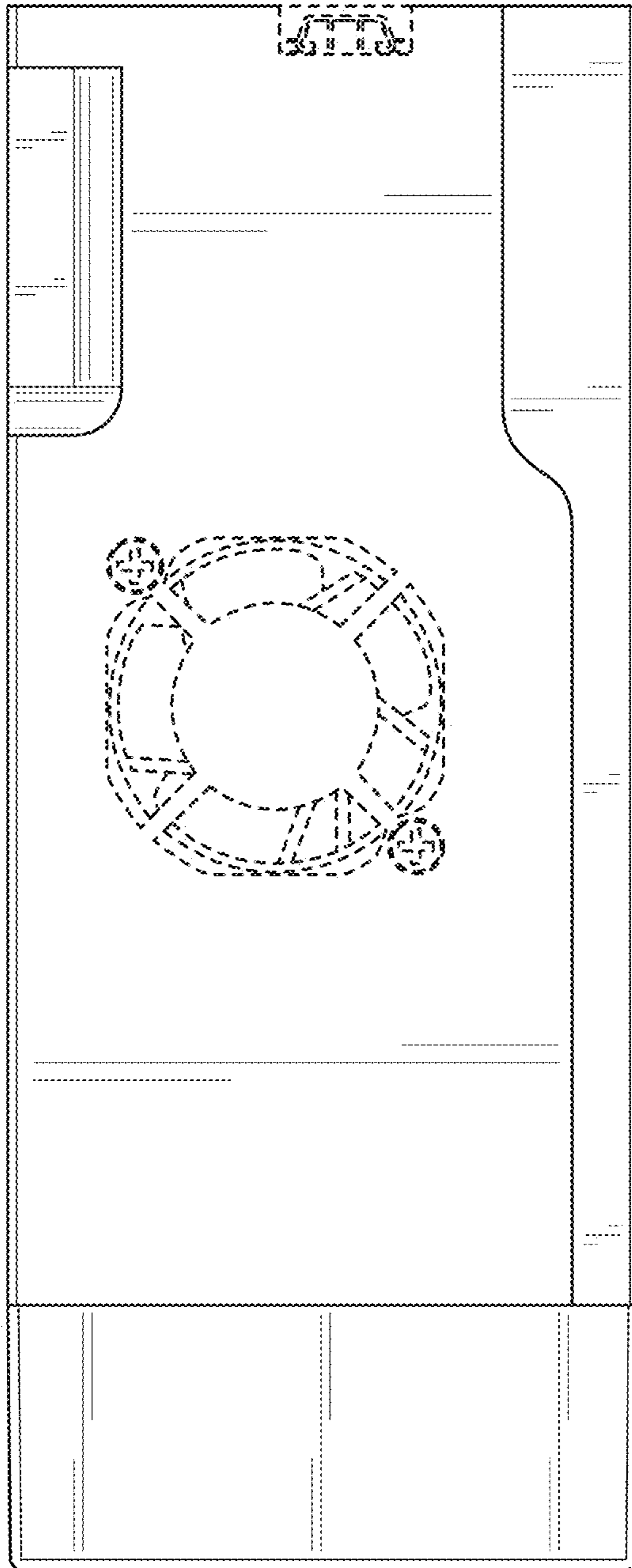


FIG. 6

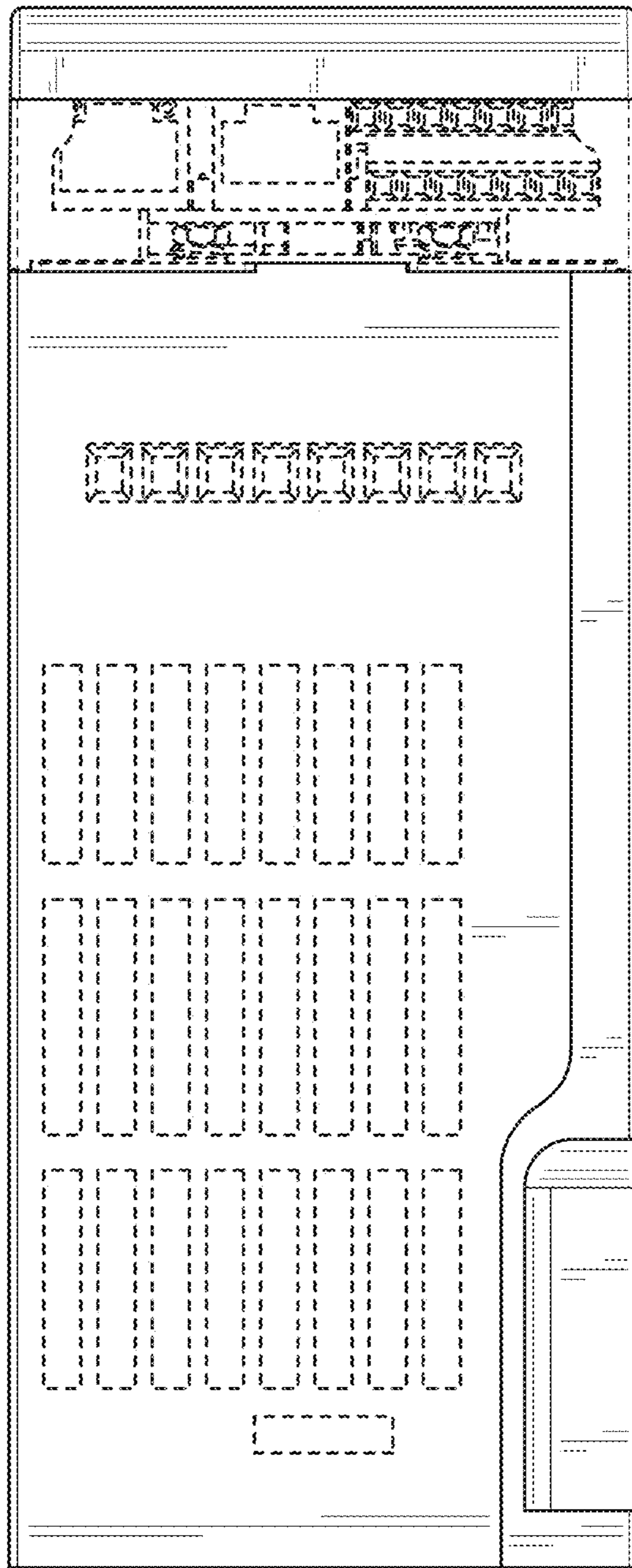


FIG. 7