



US00D933006S

(12) **United States Design Patent**
Zhao et al.

(10) **Patent No.:** **US D933,006 S**
(45) **Date of Patent:** **** Oct. 12, 2021**

(54) **BLUETOOTH EARPHONE WITH CHARGING BOX**
(71) Applicant: **BEIJING XIAOMI MOBILE SOFTWARE CO., LTD.**, Beijing (CN)
(72) Inventors: **Ziran Zhao**, Beijing (CN); **Ningning Li**, Beijing (CN); **Tao Wang**, Beijing (CN); **Bo Xu**, Beijing (CN)
(73) Assignee: **BEIJING XIAOMI MOBILE SOFTWARE CO., LTD.**, Beijing (CN)
(**) Term: **15 Years**
(21) Appl. No.: **35/509,684**
(22) Filed: **Sep. 26, 2019**
(80) **Hague Agreement Data**
Int. Filing Date: **Sep. 26, 2019**
Int. Reg. No.: **DM/208744**
Int. Reg. Date: **Sep. 26, 2019**
Int. Reg. Pub. Date: **Jun. 26, 2020**

(30) **Foreign Application Priority Data**
Mar. 29, 2019 (CN) 201930137652.3
(51) **LOC (13) Cl.** **13-02**
(52) **U.S. Cl.**
USPC **D13/108**; D14/223
(58) **Field of Classification Search**
USPC D14/205–206, 223–224; D29/112;
D3/201, 218, 273, 274, 294, 208, 212,
D3/302; D13/108

(Continued)

(56) **References Cited**
U.S. PATENT DOCUMENTS
D746,260 S * 12/2015 Goransson D14/206
D753,626 S * 4/2016 Tran D14/205

(Continued)

FOREIGN PATENT DOCUMENTS

JP D1612090 8/2018
JP D1616785 10/2018

OTHER PUBLICATIONS

Taiwanese Notice of Allowance corresponding to Application No. 108305895 dated Aug. 10, 2020.

Primary Examiner — Michael A. Pratt

(74) *Attorney, Agent, or Firm* — Dickinson Wright PLLC

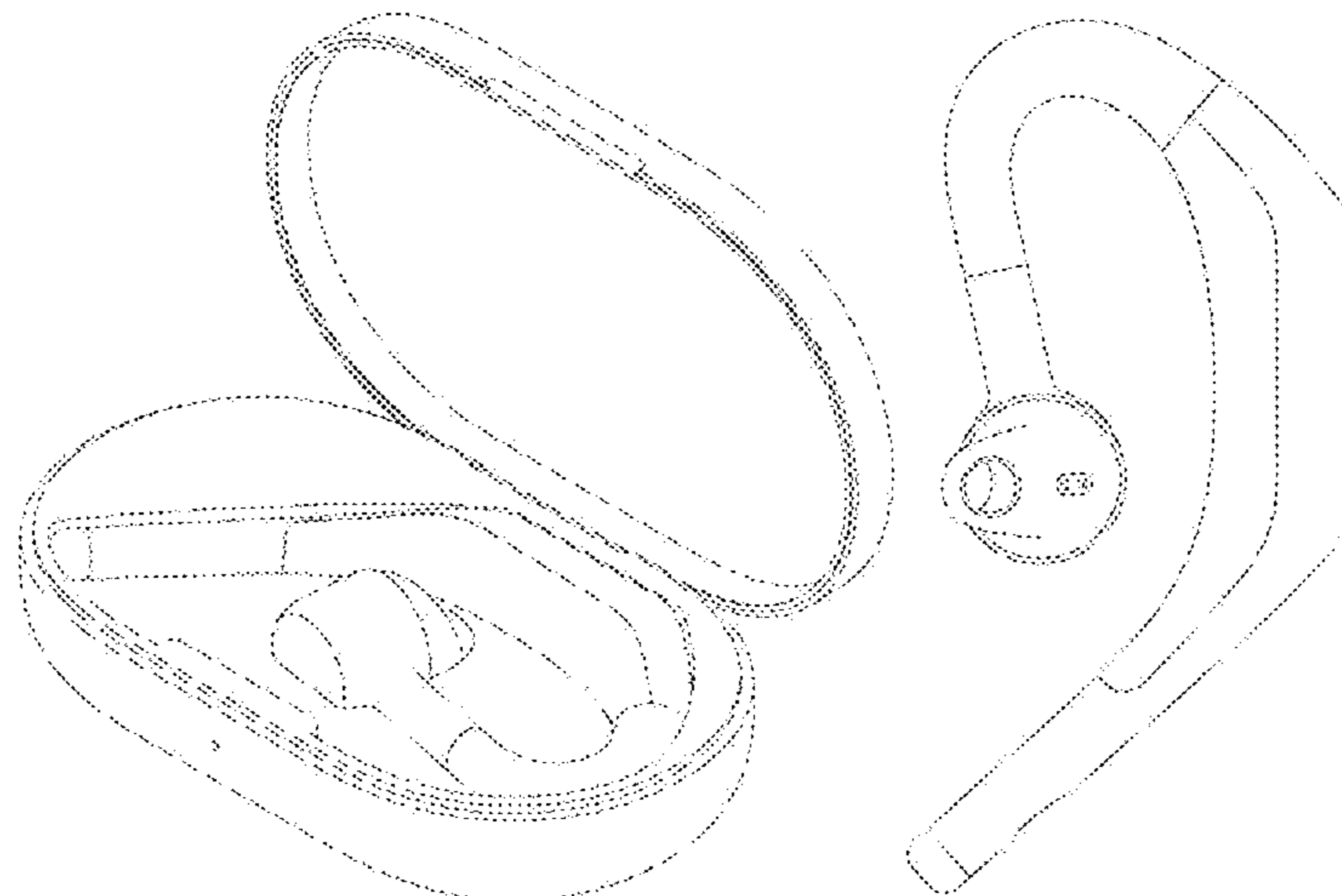
(57) **CLAIM**

The ornamental design for a Bluetooth earphone with charging box, as shown and described.

DESCRIPTION

- 1. Bluetooth earphone with charging box
- 1.1 : Front
- 1.2 : Back
- 1.3 : Left
- 1.4 : Right
- 1.5 : Top
- 1.6 : Bottom
- 1.7 : Perspective
- 1.8: Front
- 1.9: Rear
- 1.10: Left
- 1.11: Right
- 1.12: Top
- 1.13: Bottom
- 1.14: Perspective
- 1.15: Perspective
- 1.16: Front
- 1.17: Rear
- 1.18: Left
- 1.19: Right
- 1.20: Top
- 1.21: Bottom
- 1.22: Perspective
- 1.23: Perspective
- 1.24: Front

(Continued)



1.25: Rear
1.26: Left
1.27: Right
1.28: Top
1.29: Bottom
1.30: Perspective
1.31: Perspective
Reproductions 1.1 to 1.7 are six orthographic projection views and a perspective view of a Bluetooth earphone with a charging box in an opened state; reproductions 1.8 to 1.15 are six orthographic projection views and two perspective views of the Bluetooth earphone; reproductions 1.16 to 1.23 are six orthographic projection views and two perspective views of the charging box in an opened state; and reproductions 1.24 to 1.31 are six orthographic projection views and two perspective views of the charging box in a closed state; the product incorporating our new design is mainly used for communication and audio transmission.

1 Claim, 31 Drawing Sheets

(58) **Field of Classification Search**

CPC H04R 1/1066; H04R 1/1016; H04R 25/00;
H04R 1/10; H04R 5/0335; H04R 5/033
See application file for complete search history.

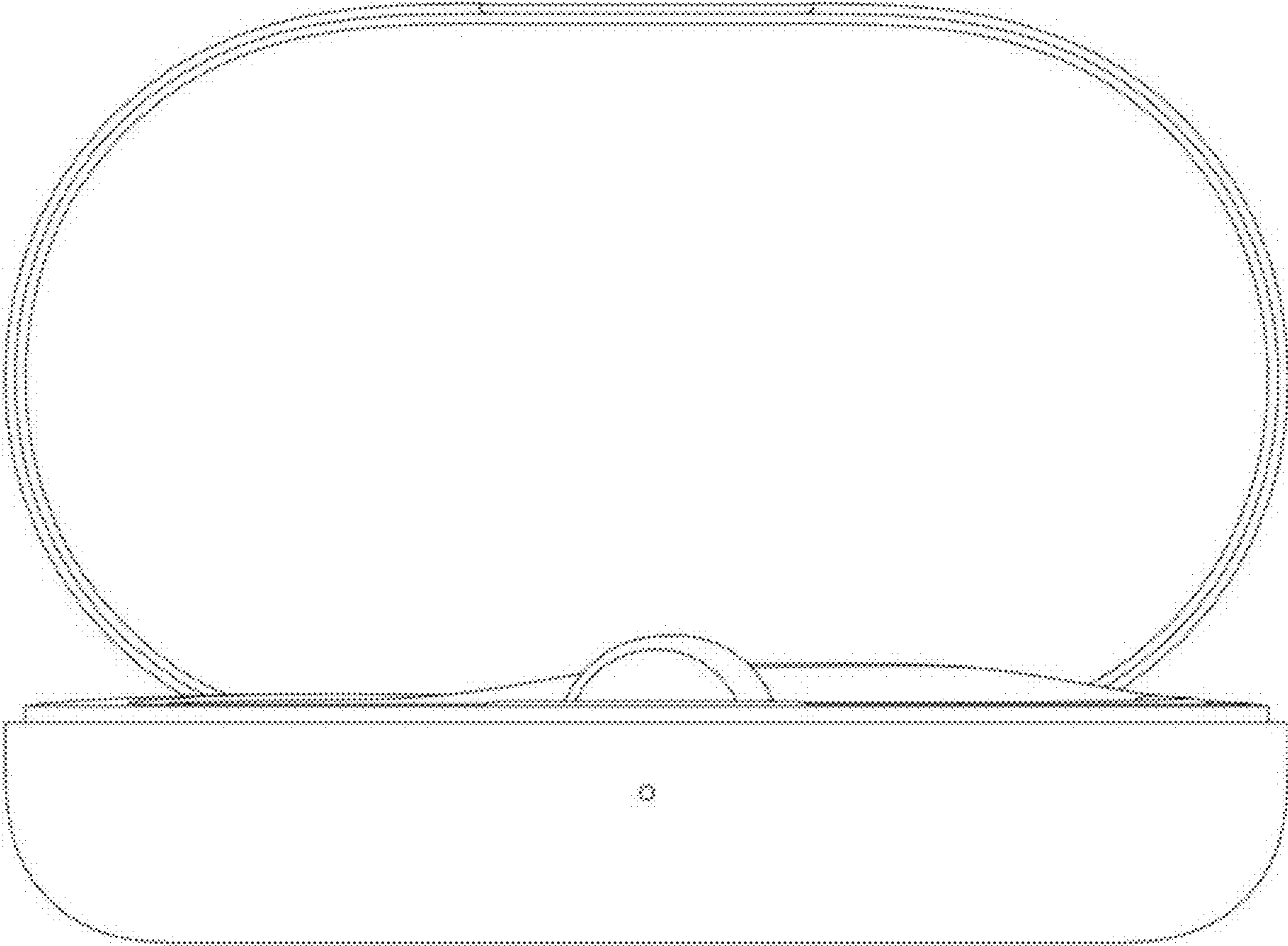
(56) **References Cited**

U.S. PATENT DOCUMENTS

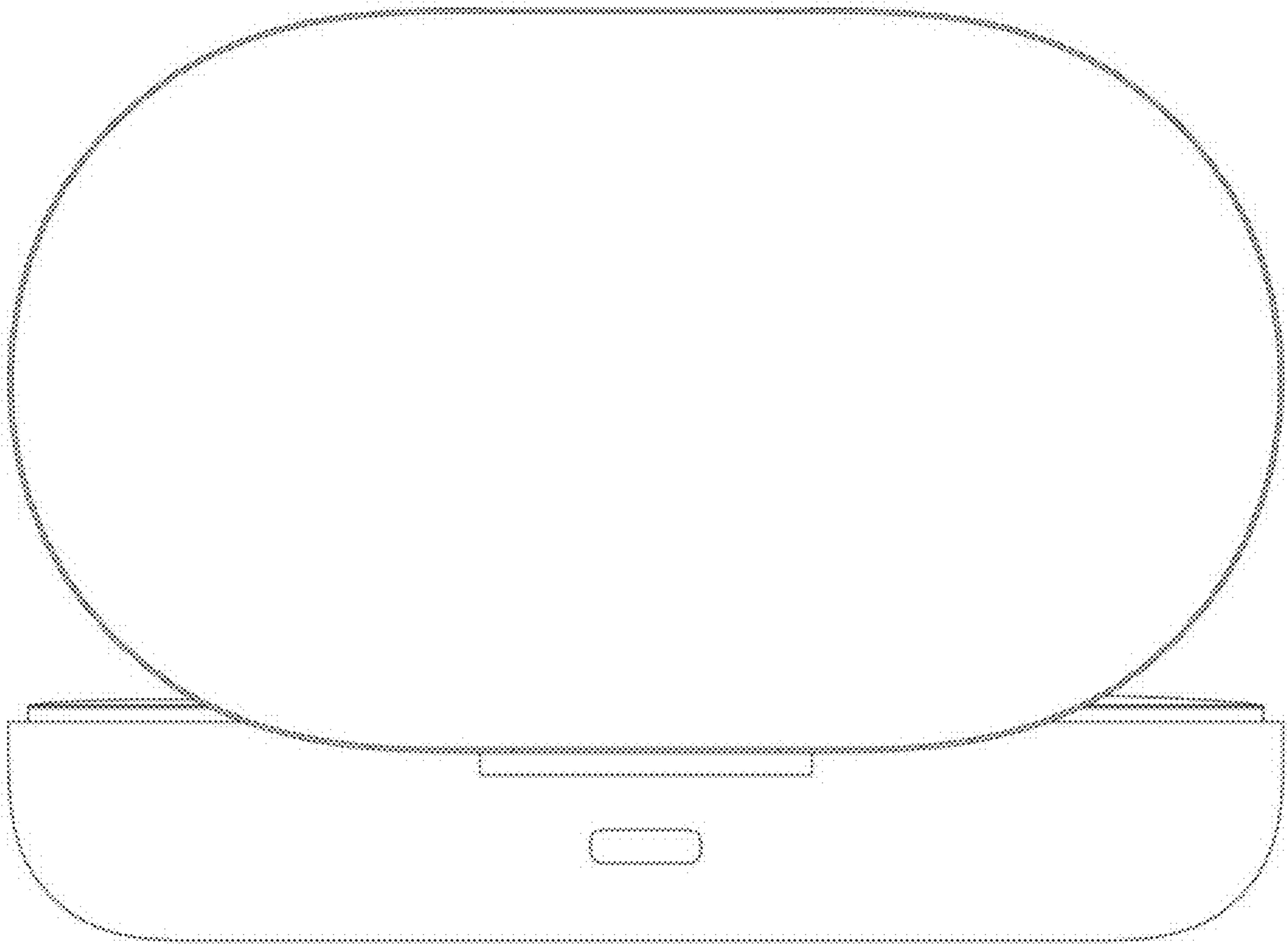
D784,290	S	*	4/2017	Paterson	D14/205
D809,486	S		2/2018	Arimoto	
D834,003	S	*	11/2018	Maeda	D14/223
D871,375	S	*	12/2019	Meyer	D14/223
D892,089	S	*	8/2020	Karayiannis	D14/223
D903,634	S	*	12/2020	Lu	D14/206
D904,761	S	*	12/2020	Koneru	D3/274
D909,344	S	*	2/2021	Abe	D14/223
D916,055	S	*	4/2021	Xiao	D14/223
D916,056	S	*	4/2021	Boyd	D14/223
D916,057	S	*	4/2021	Boyd	D14/223
D917,427	S	*	4/2021	Zheng	D14/223
D920,292	S	*	5/2021	Ozawa	D14/223

* cited by examiner

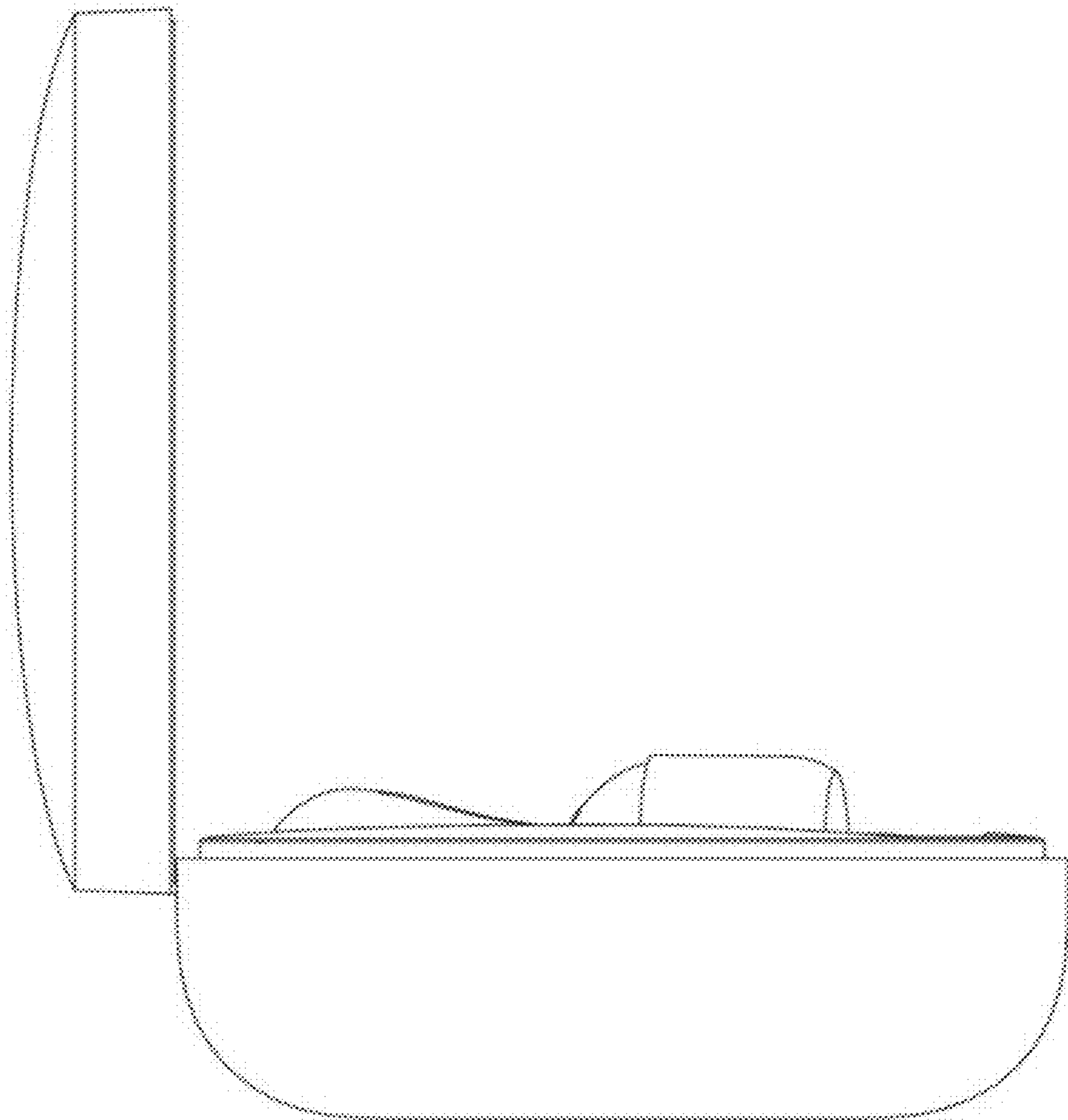
1.1



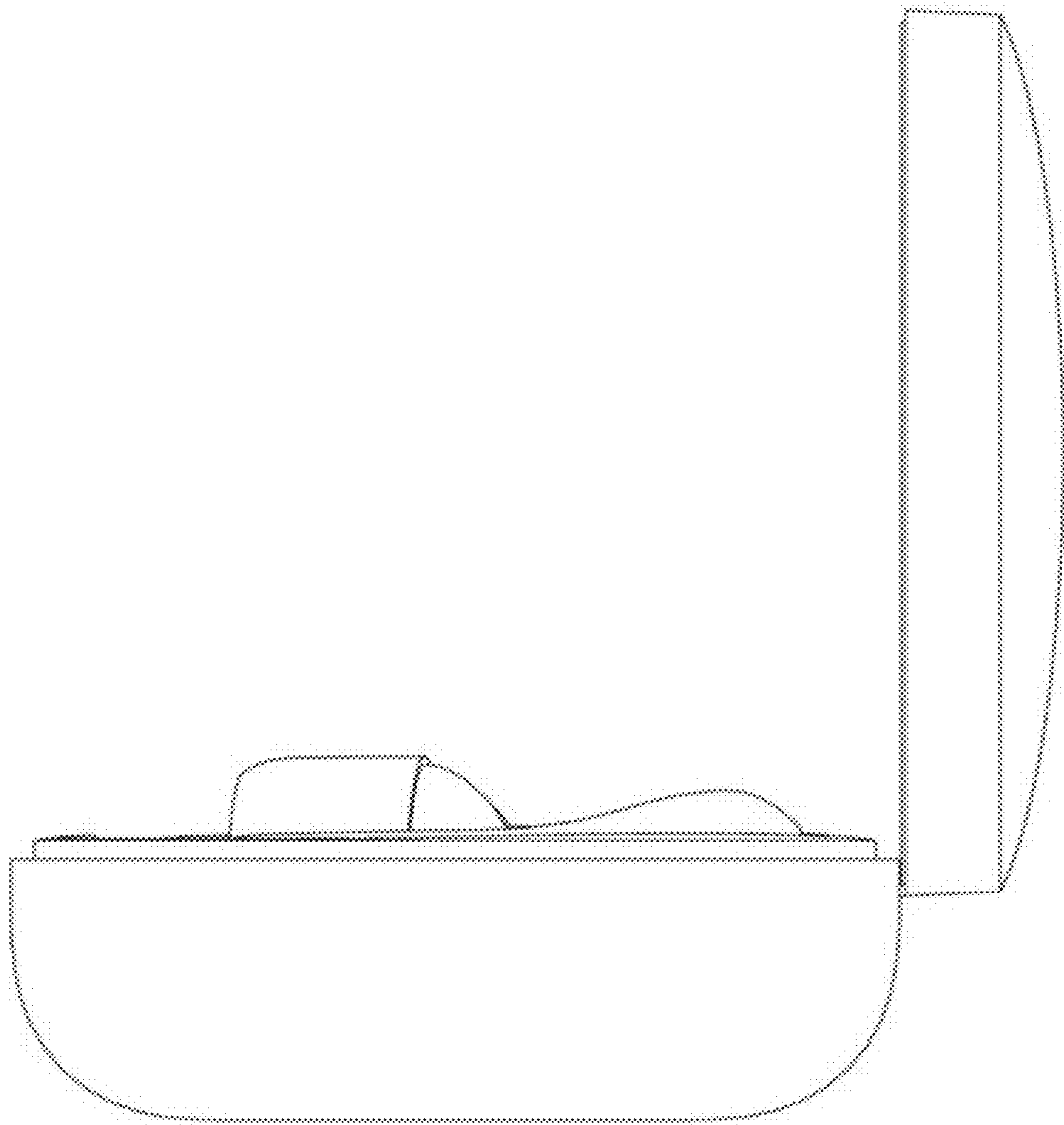
1.2



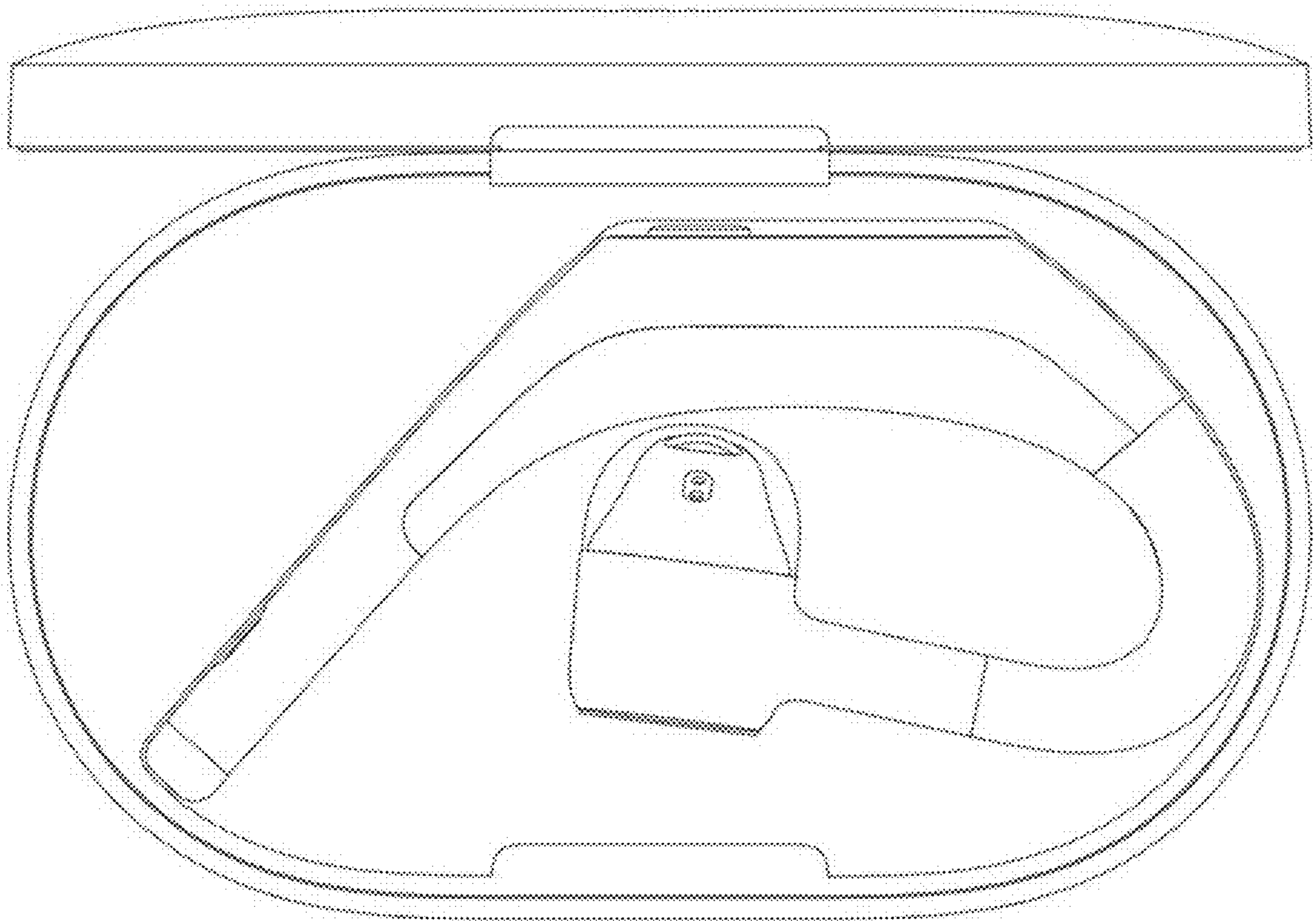
1.3



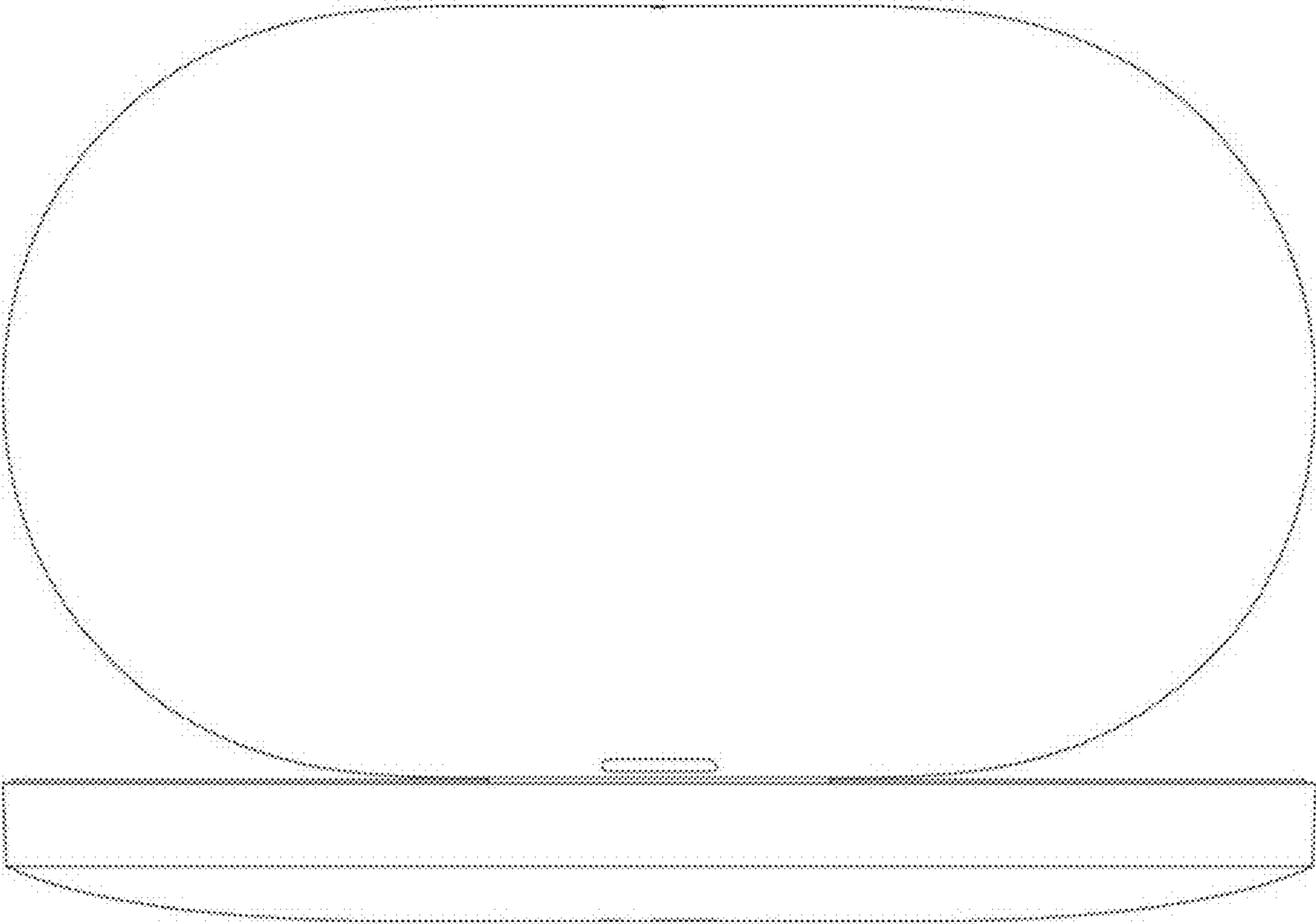
1.4



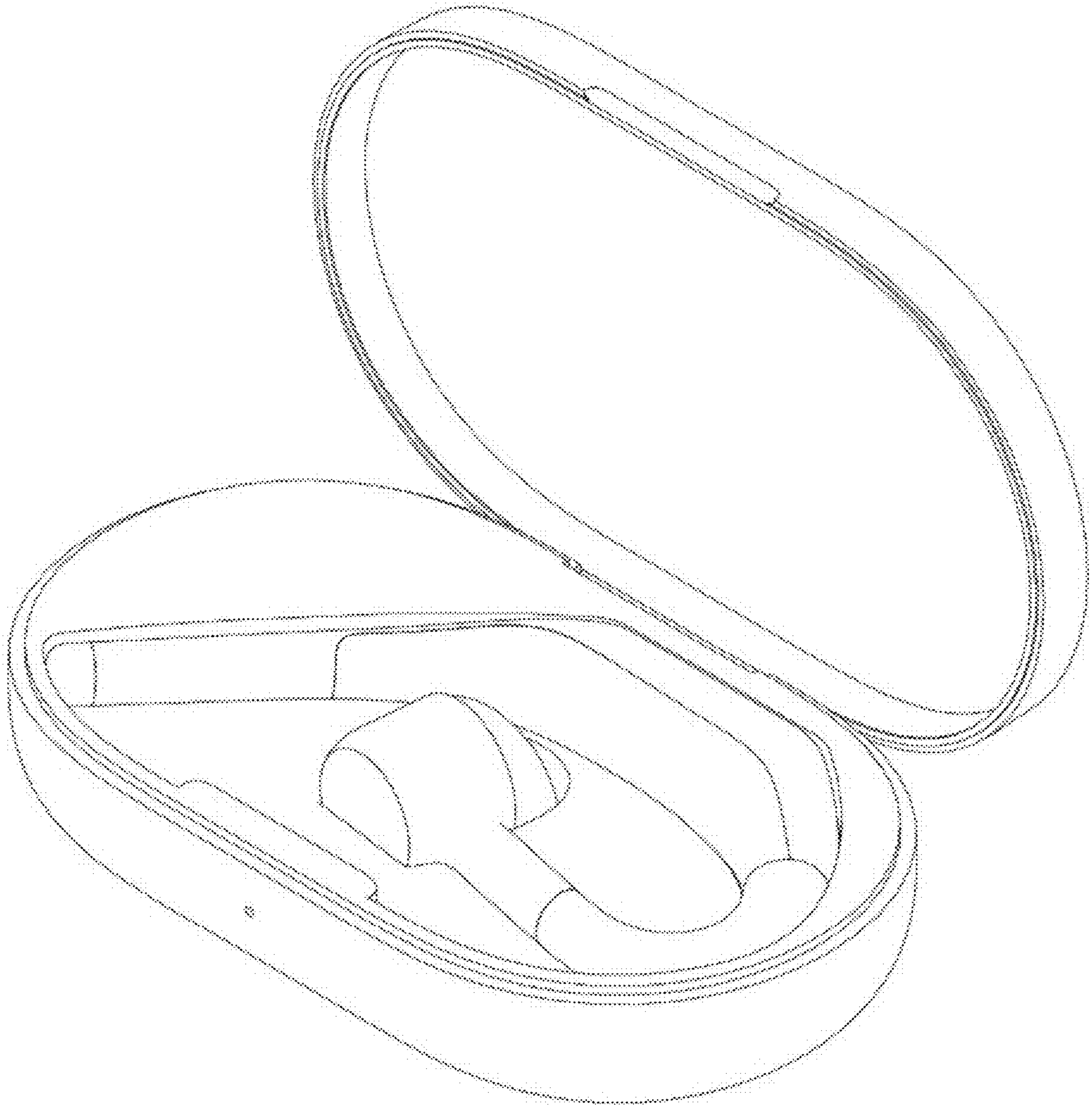
1.5



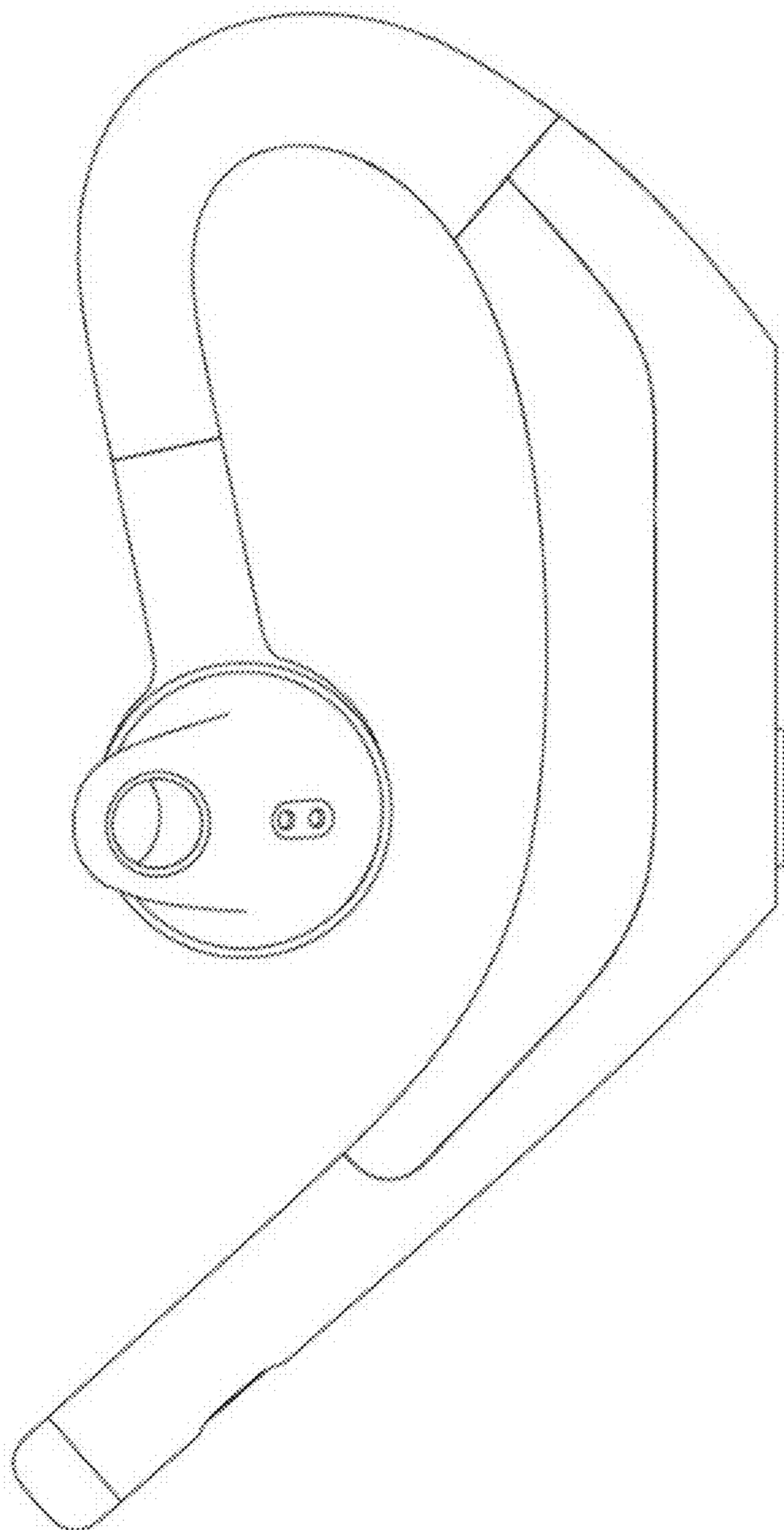
1.6



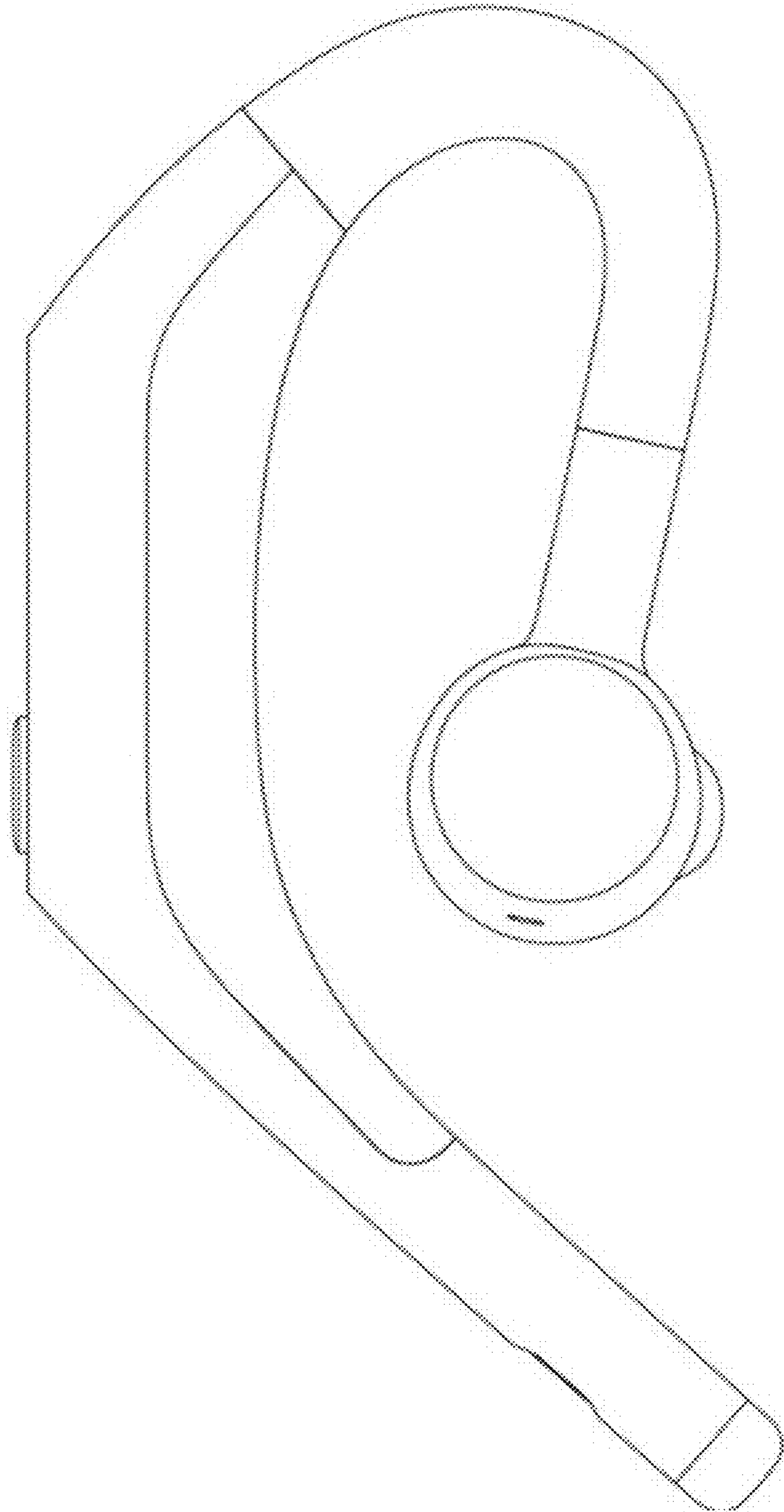
1.7



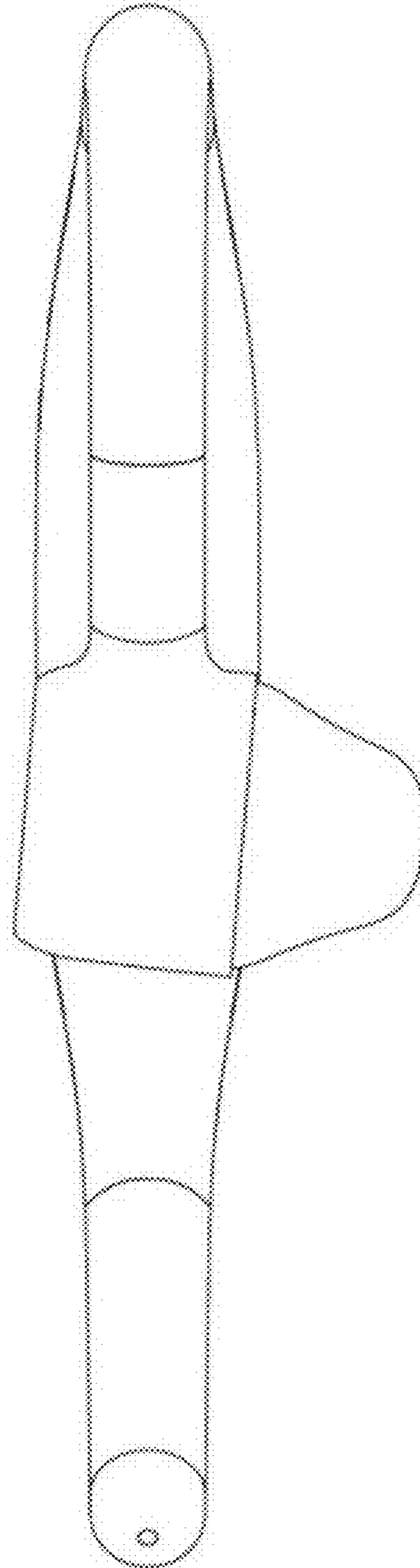
1.8



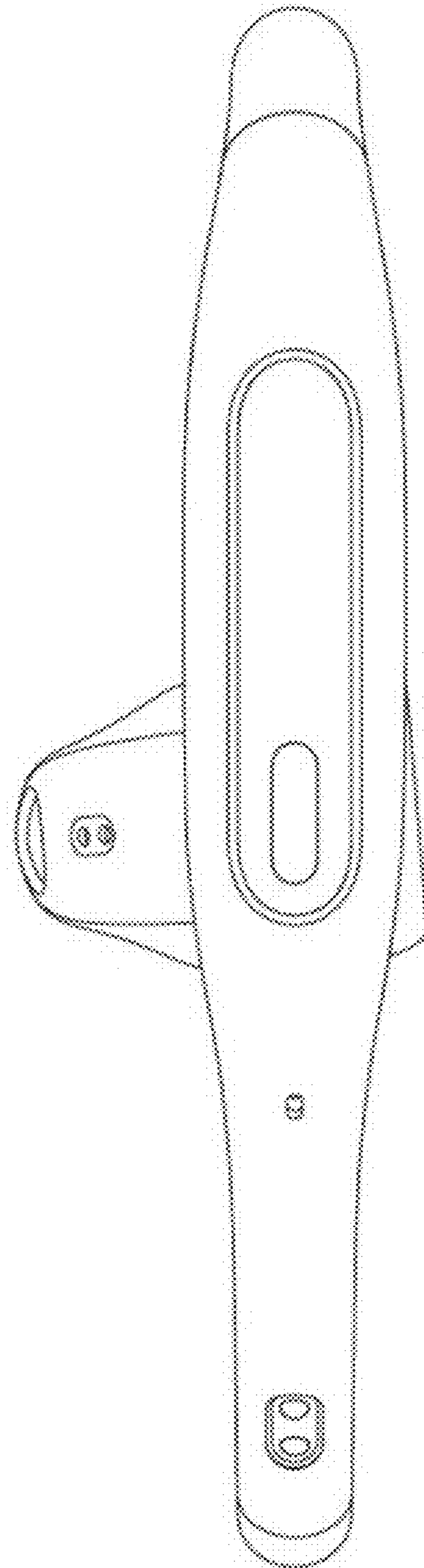
1.9



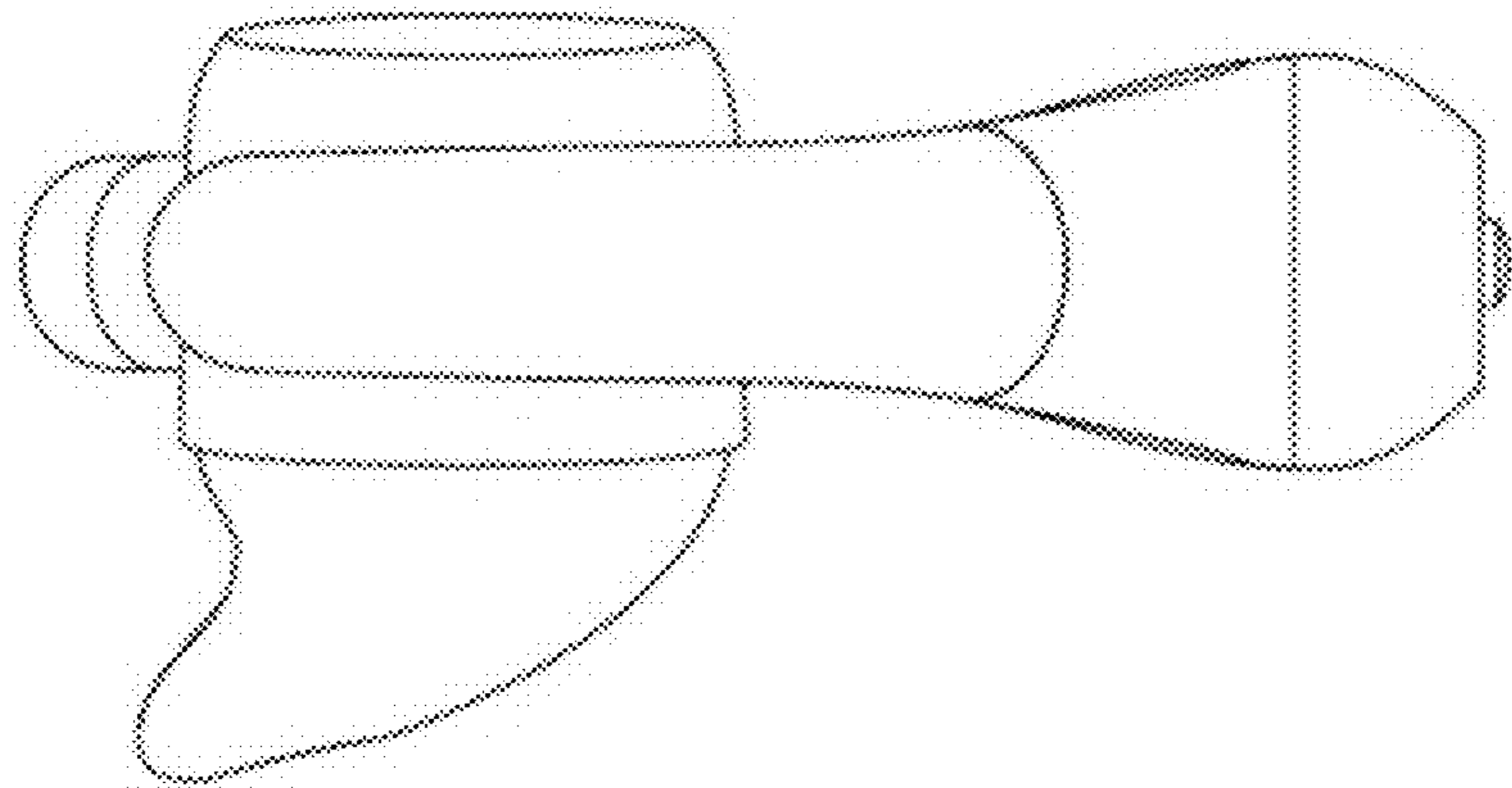
1.10



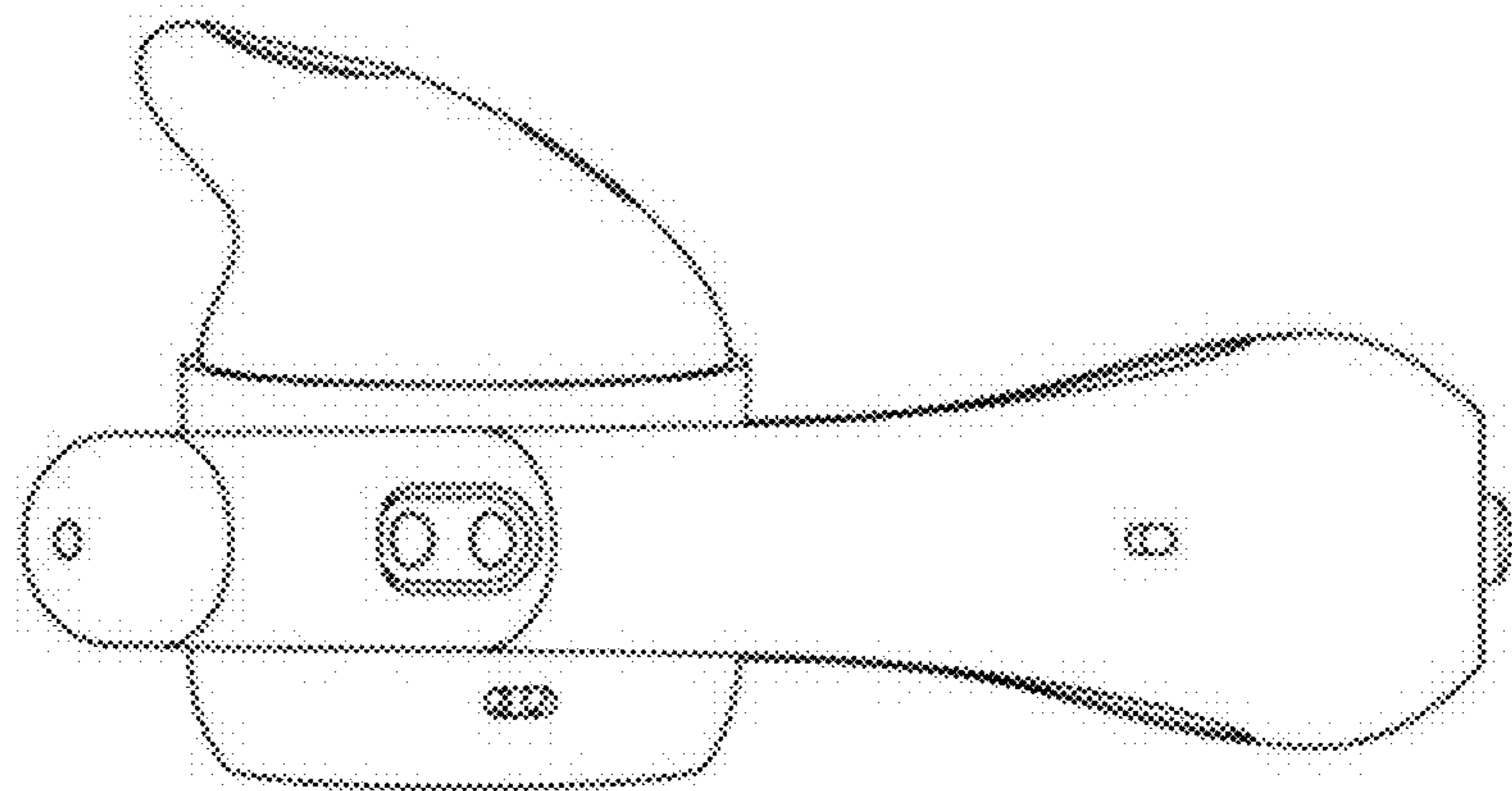
1.11



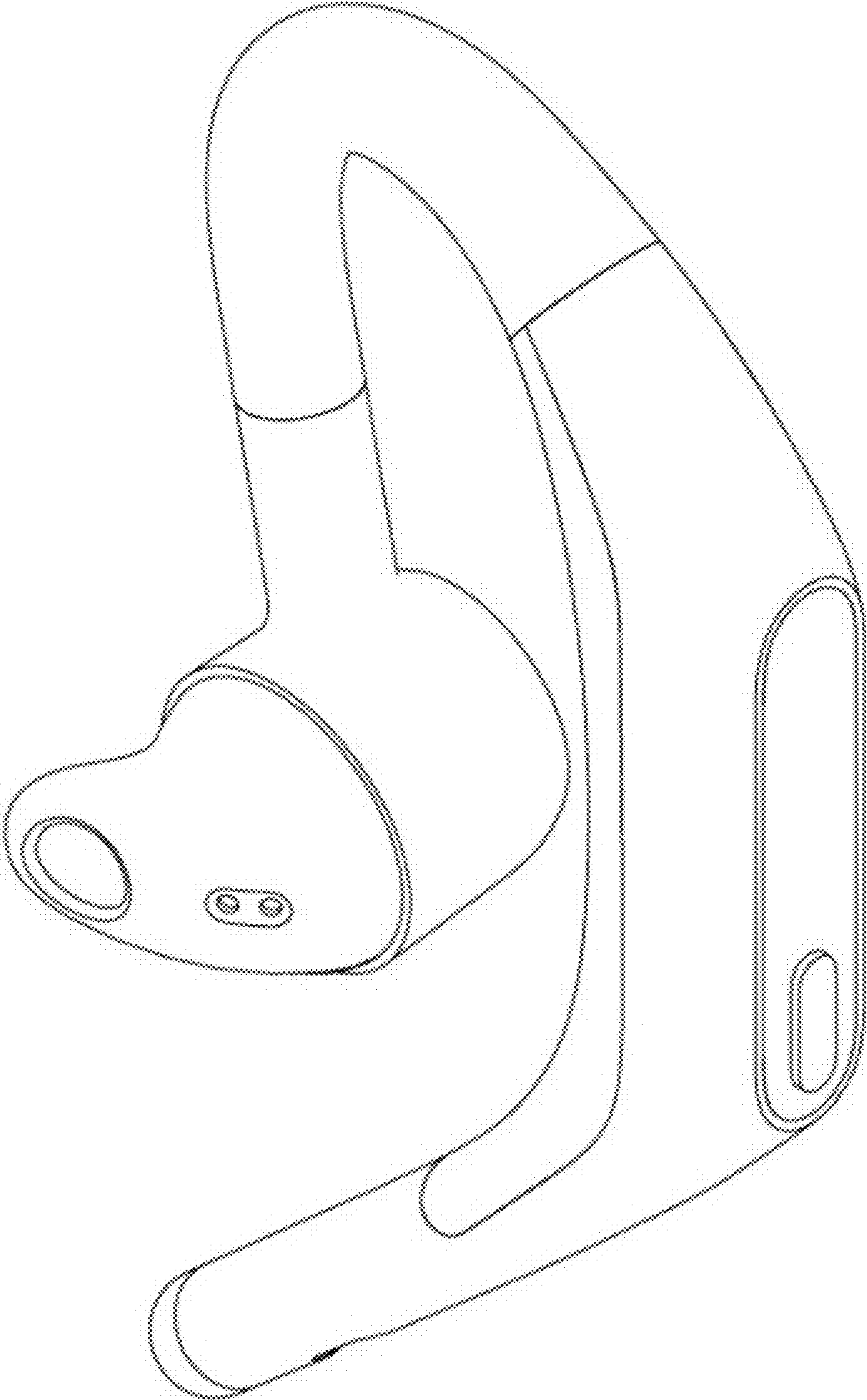
1.12



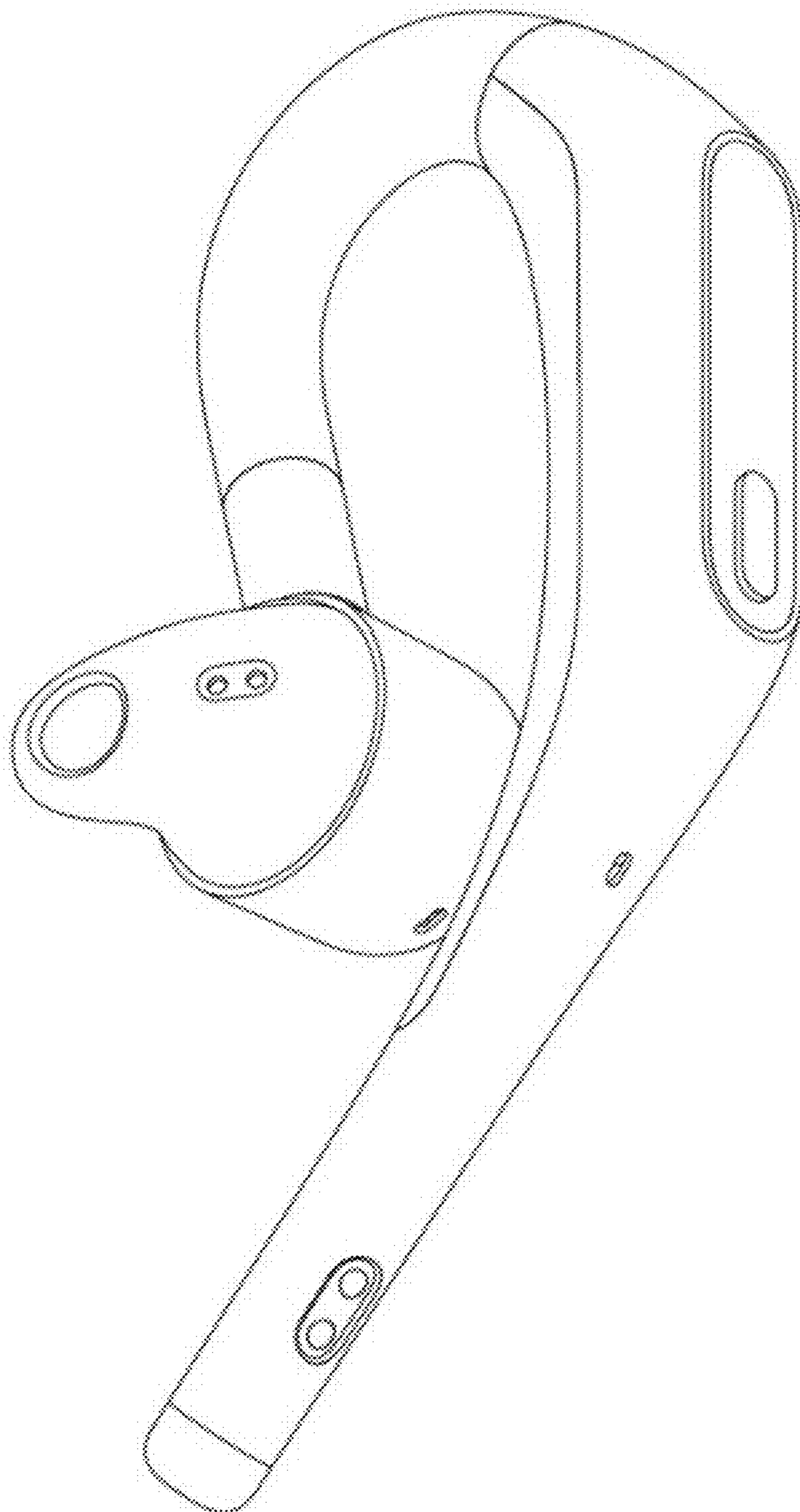
1.13



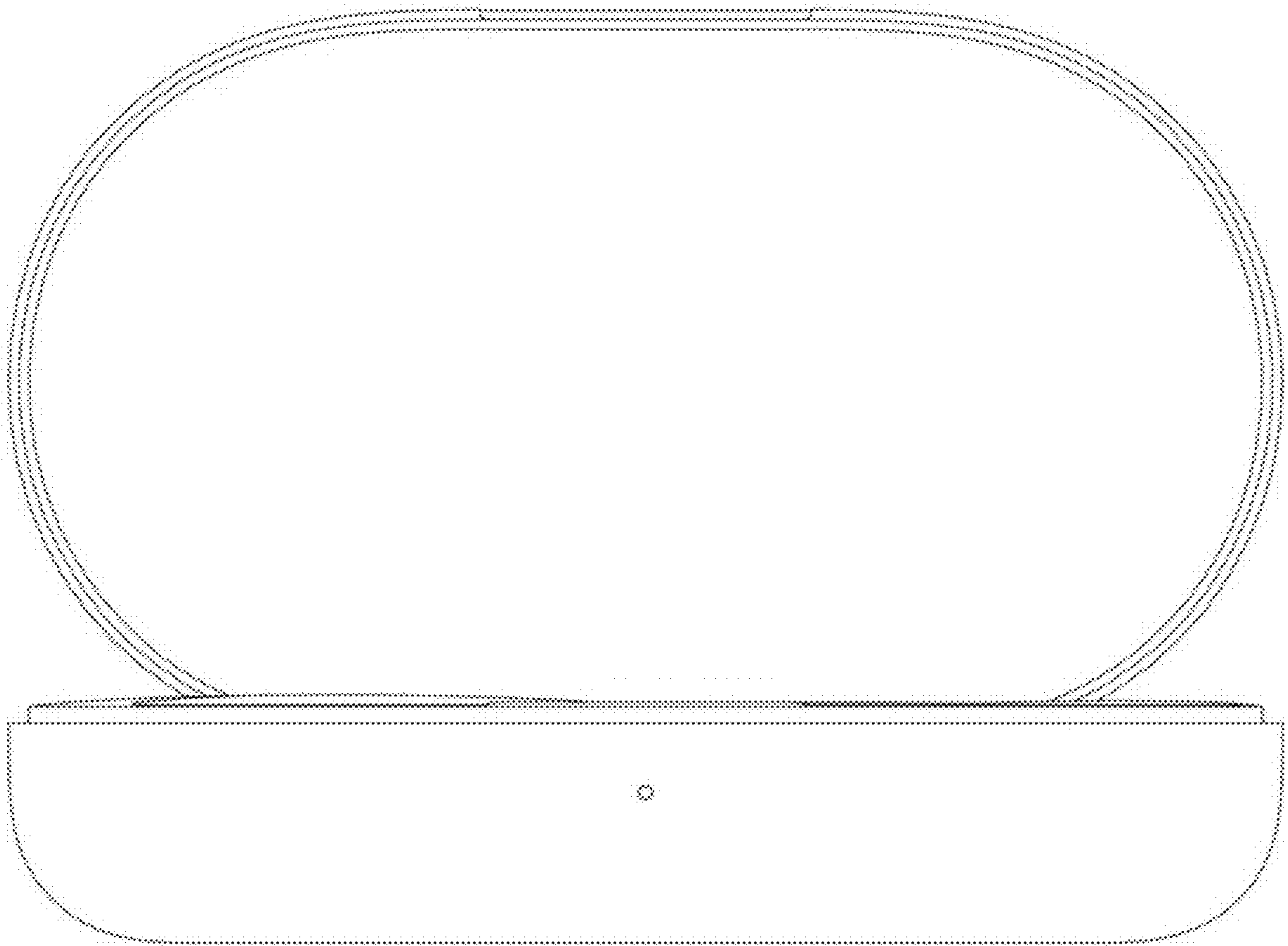
1.14



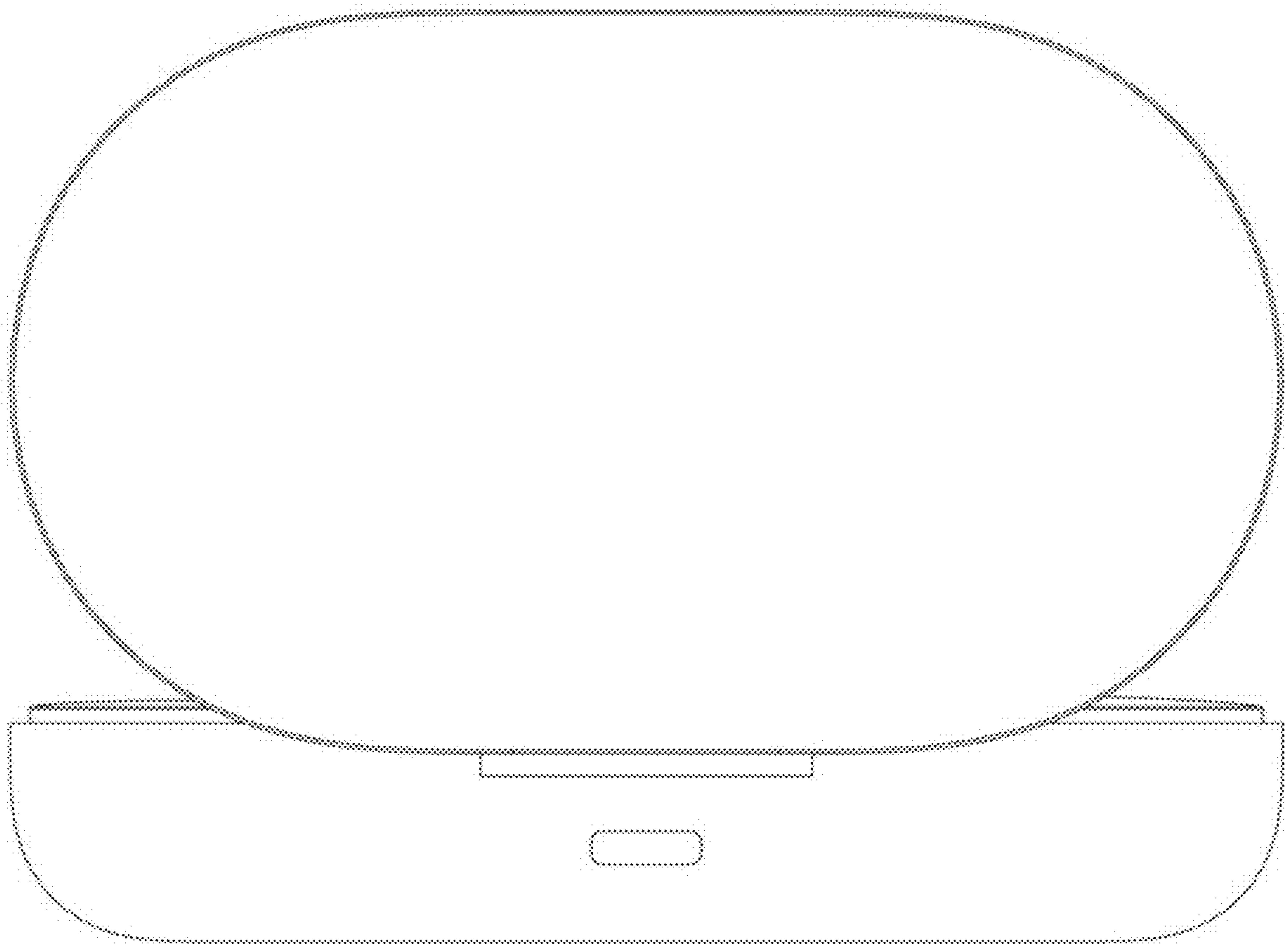
1.15



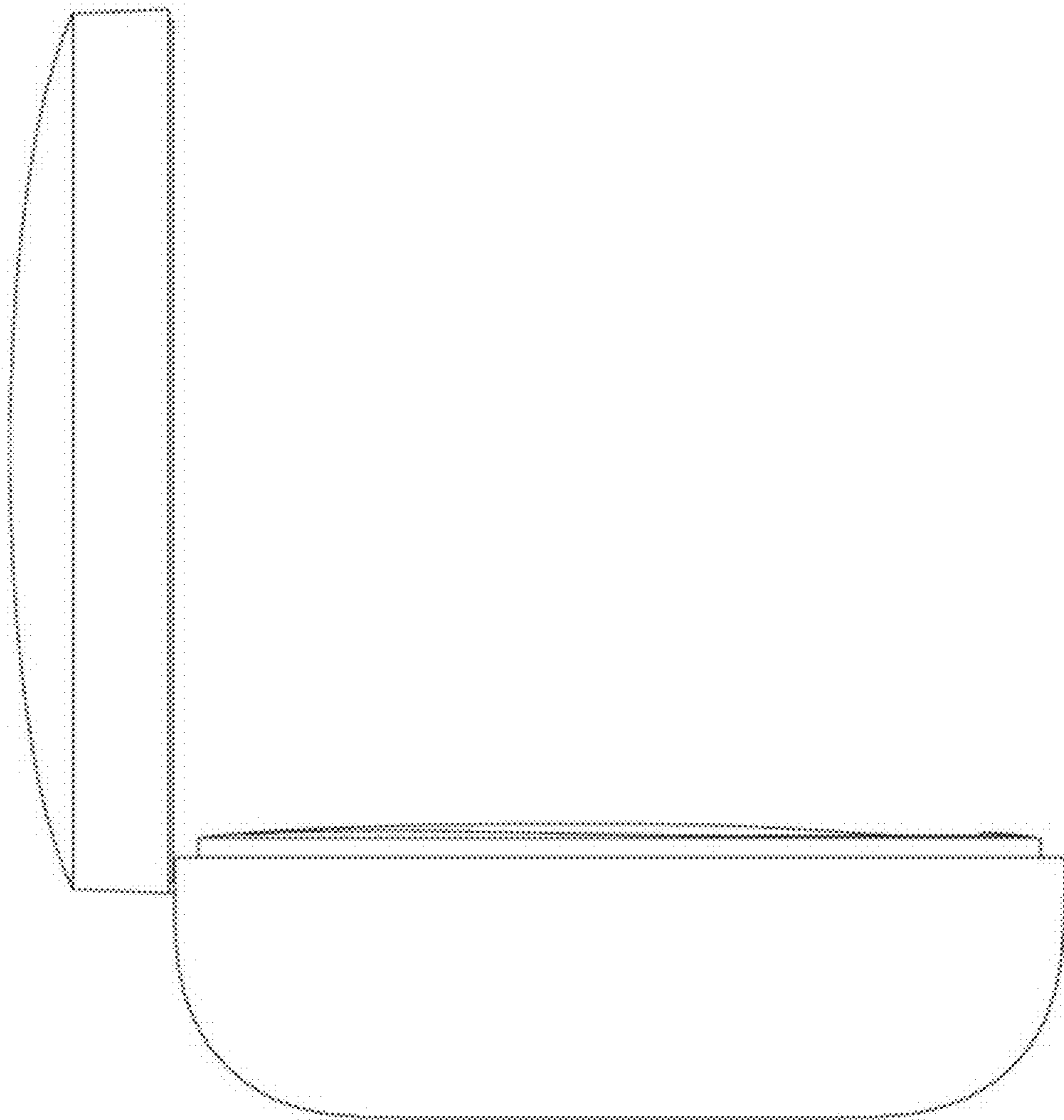
1.16



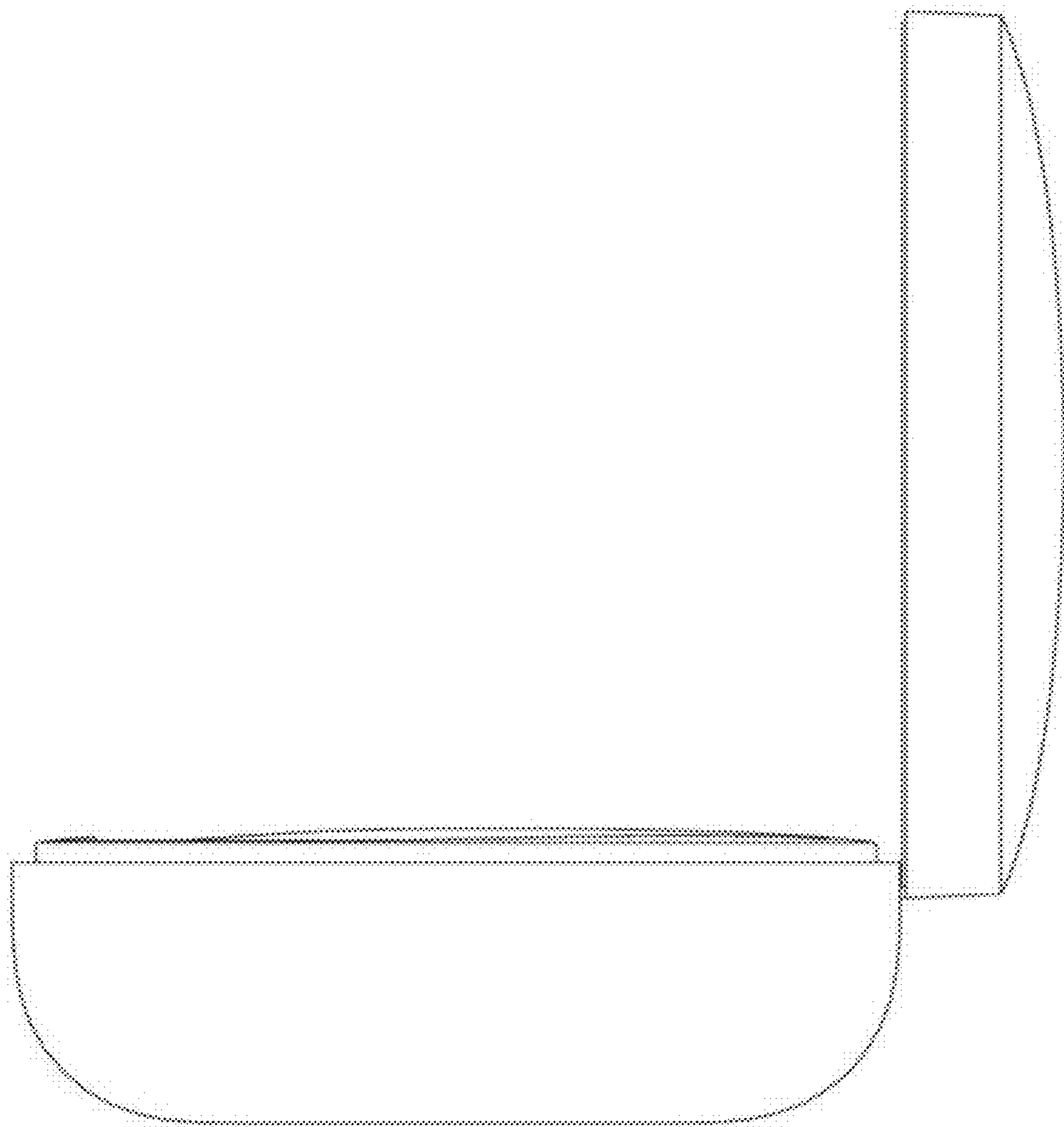
1.17



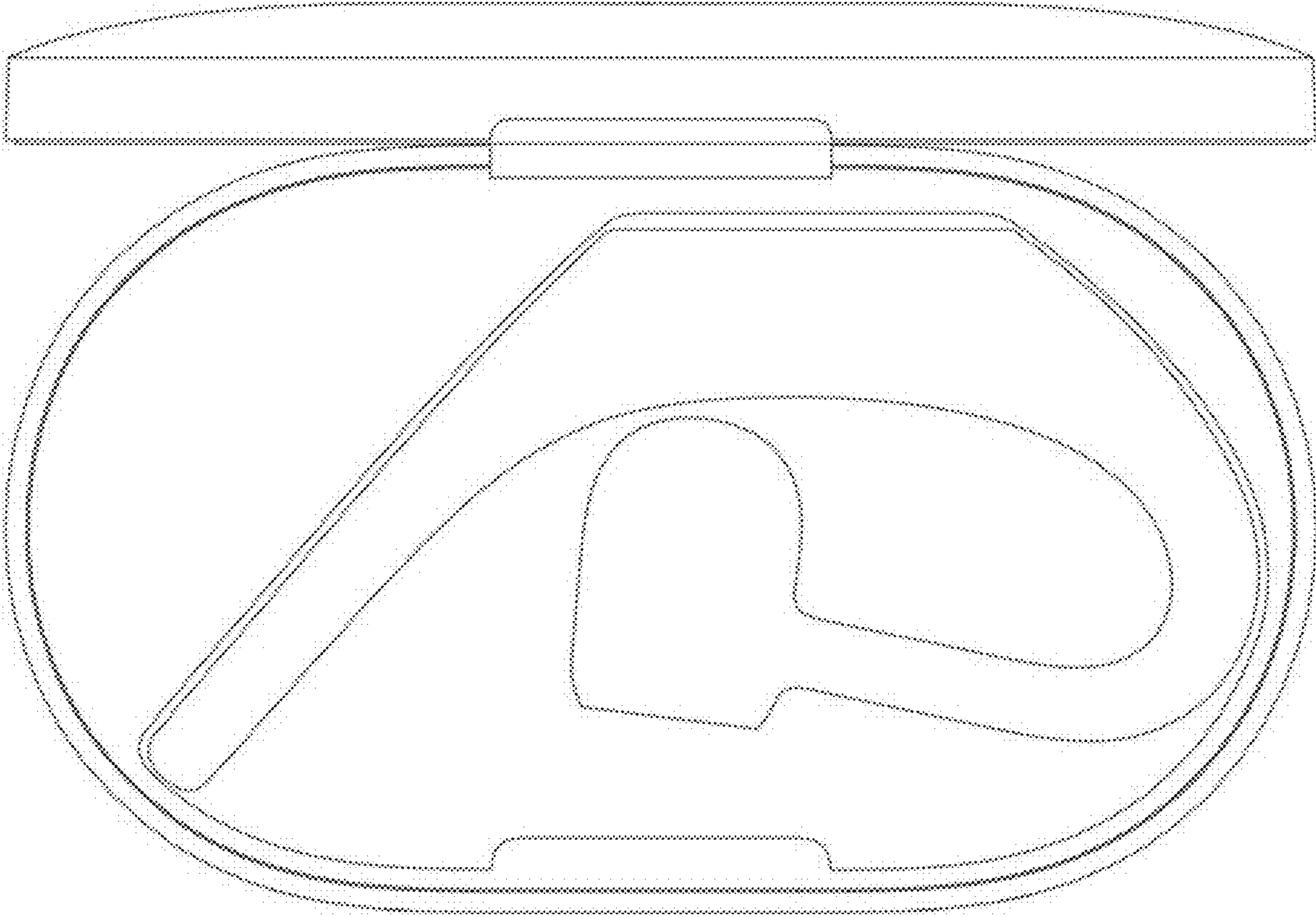
1.18



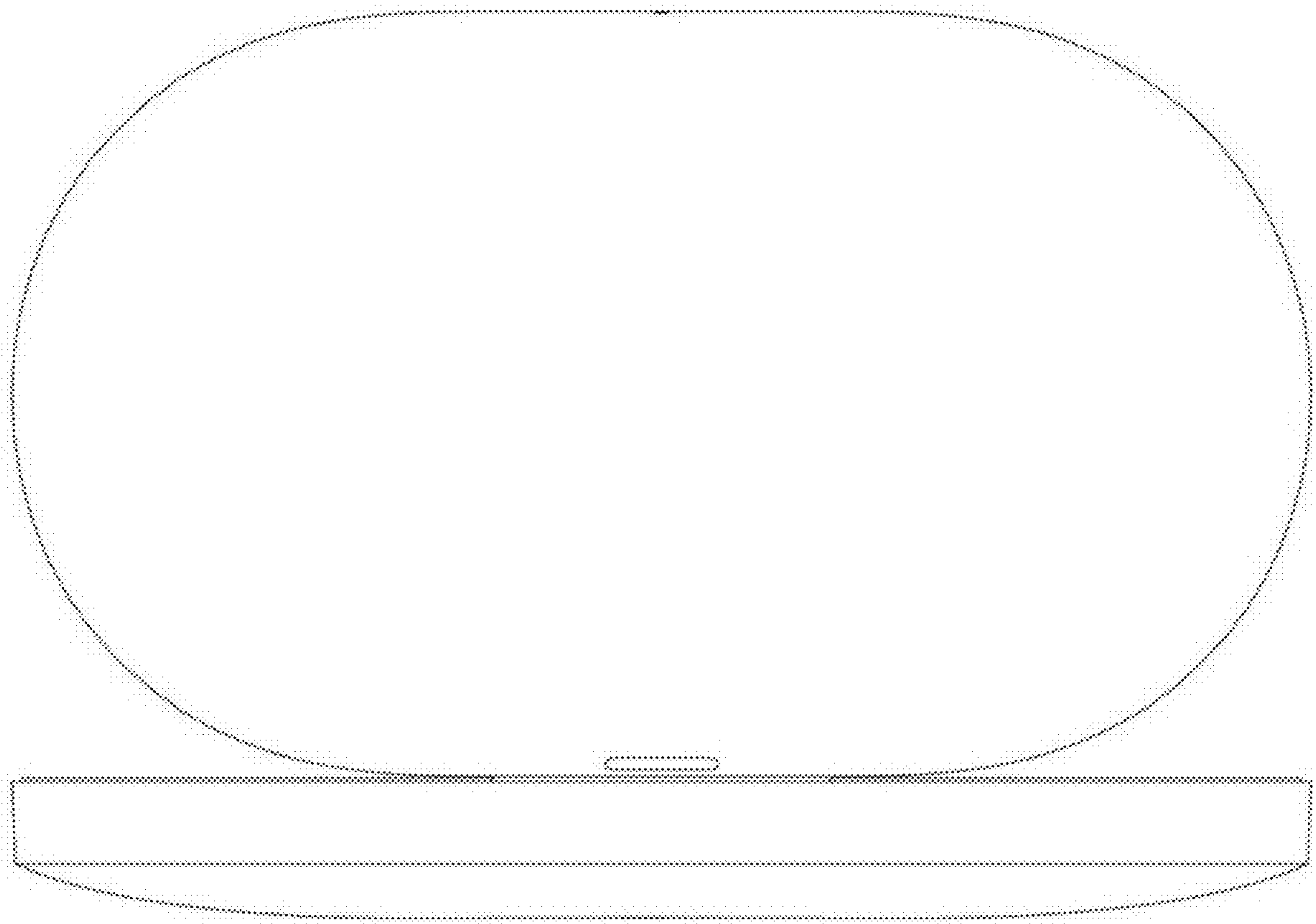
1.19



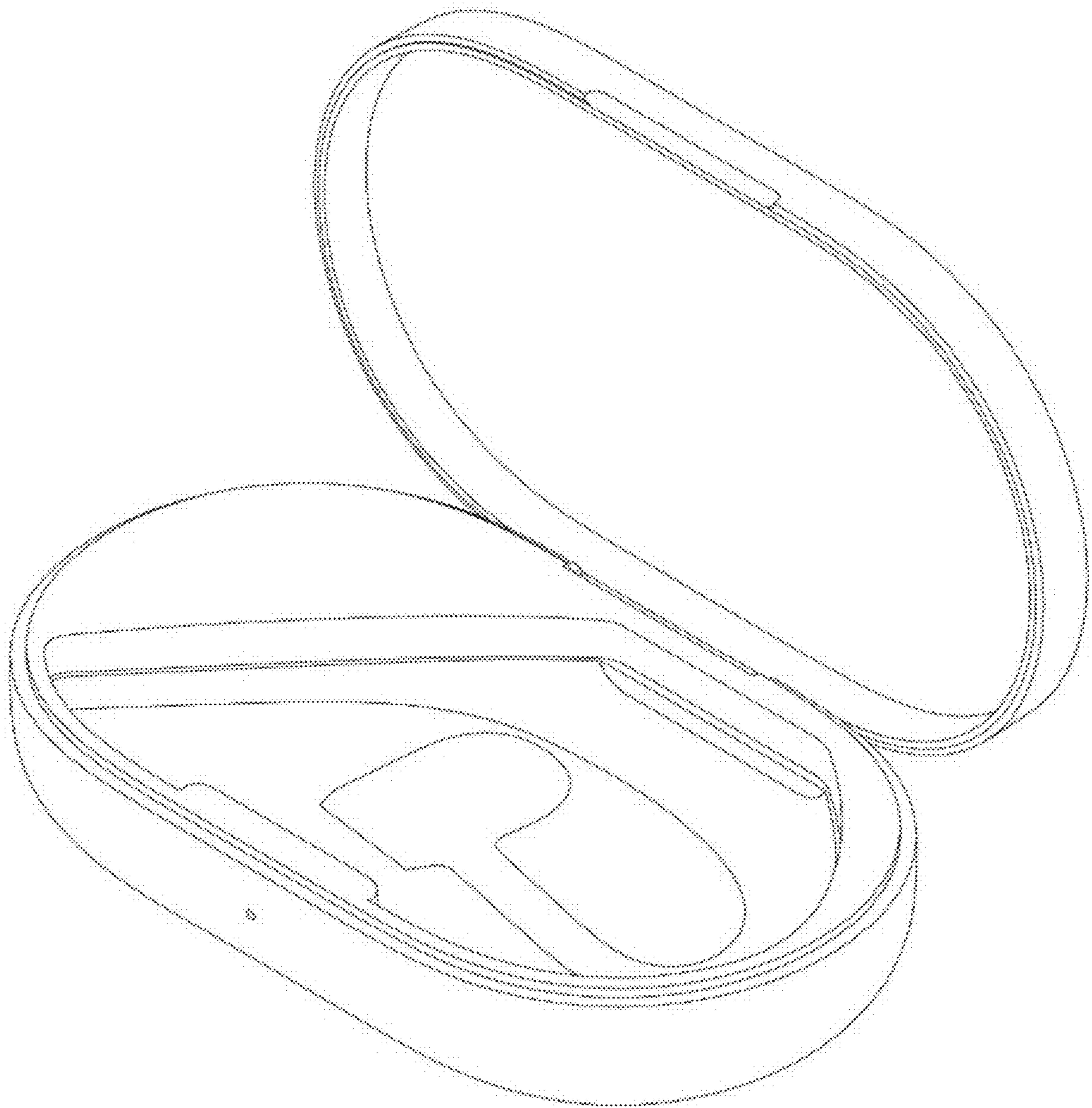
1.20



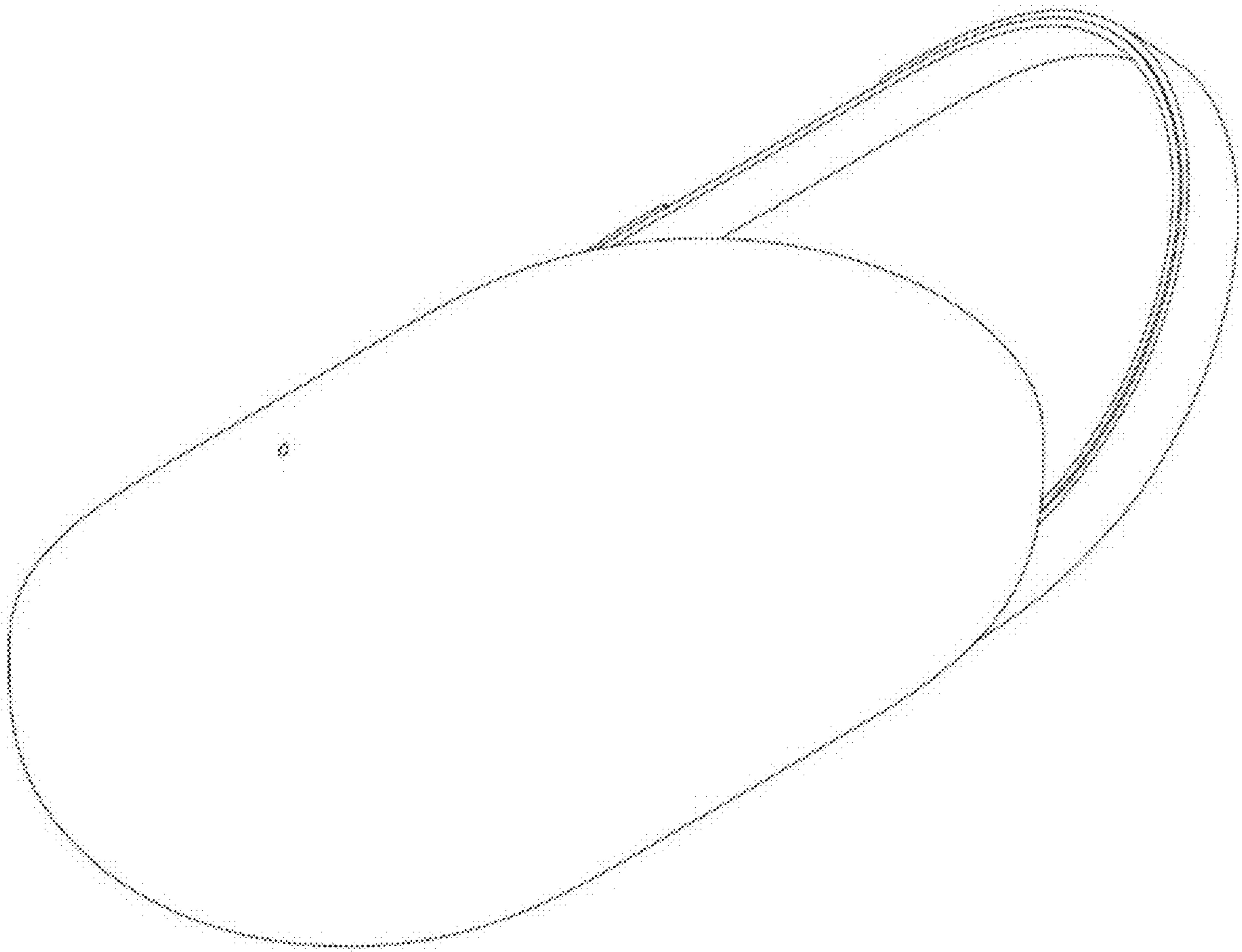
1.21



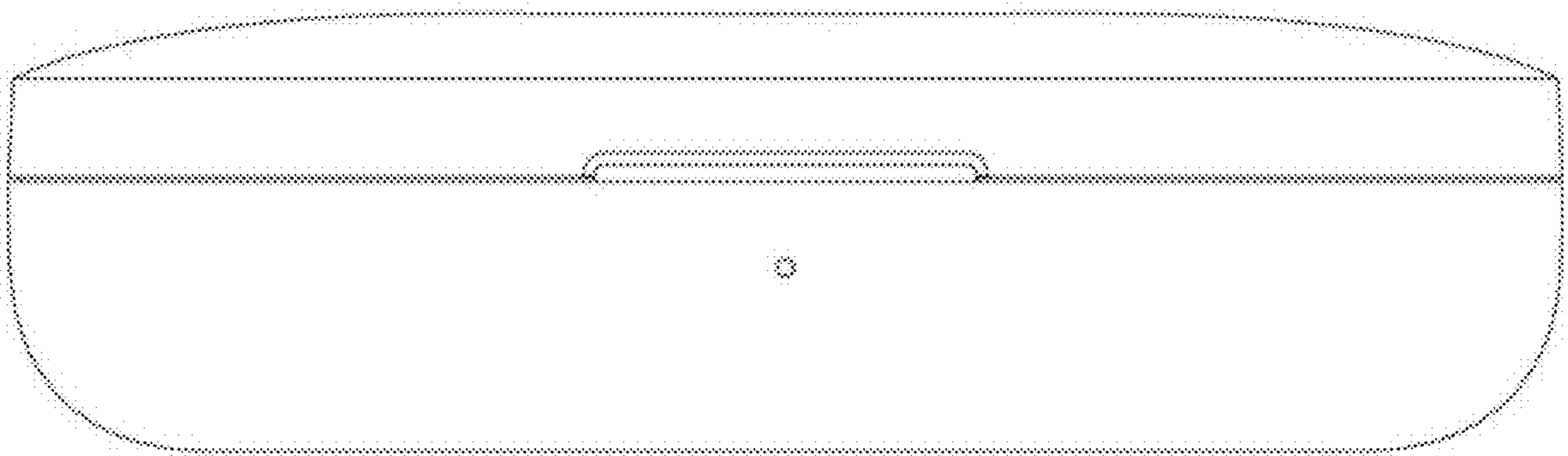
1.22



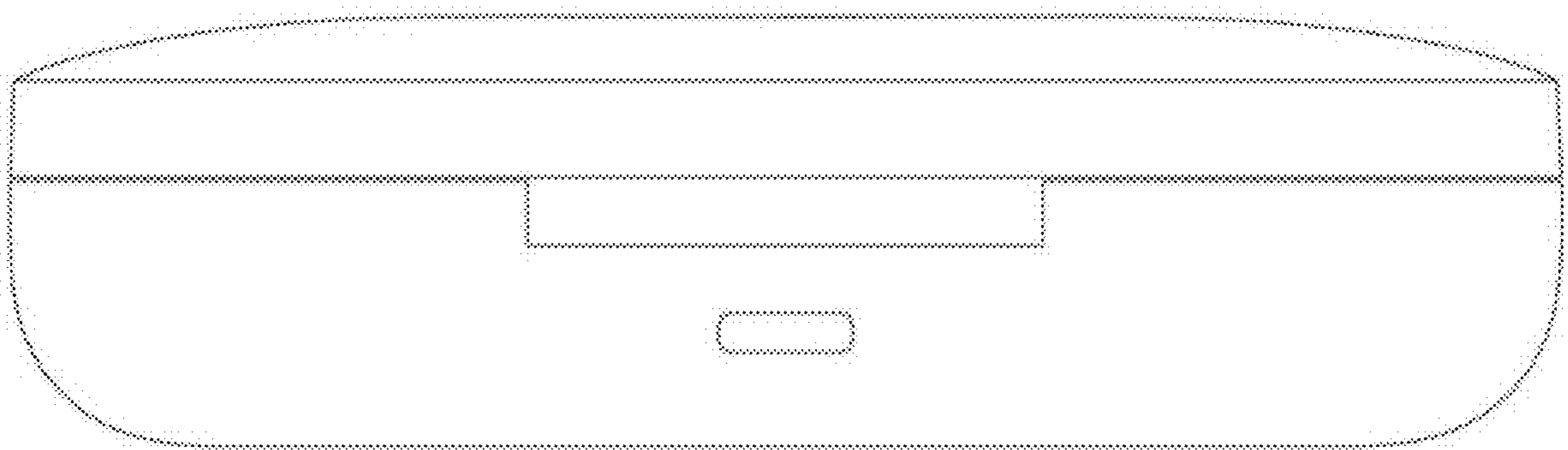
1.23



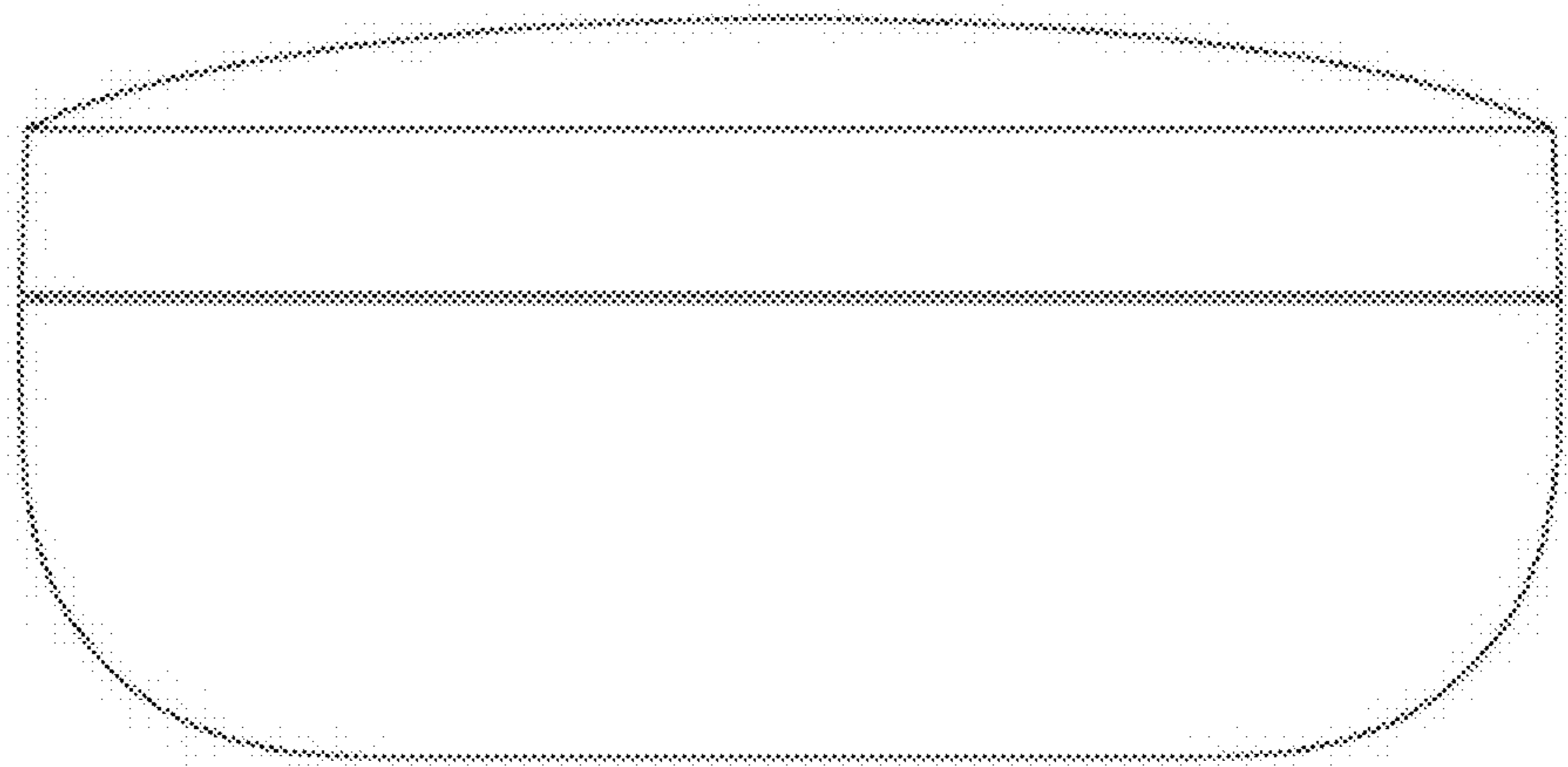
1.24



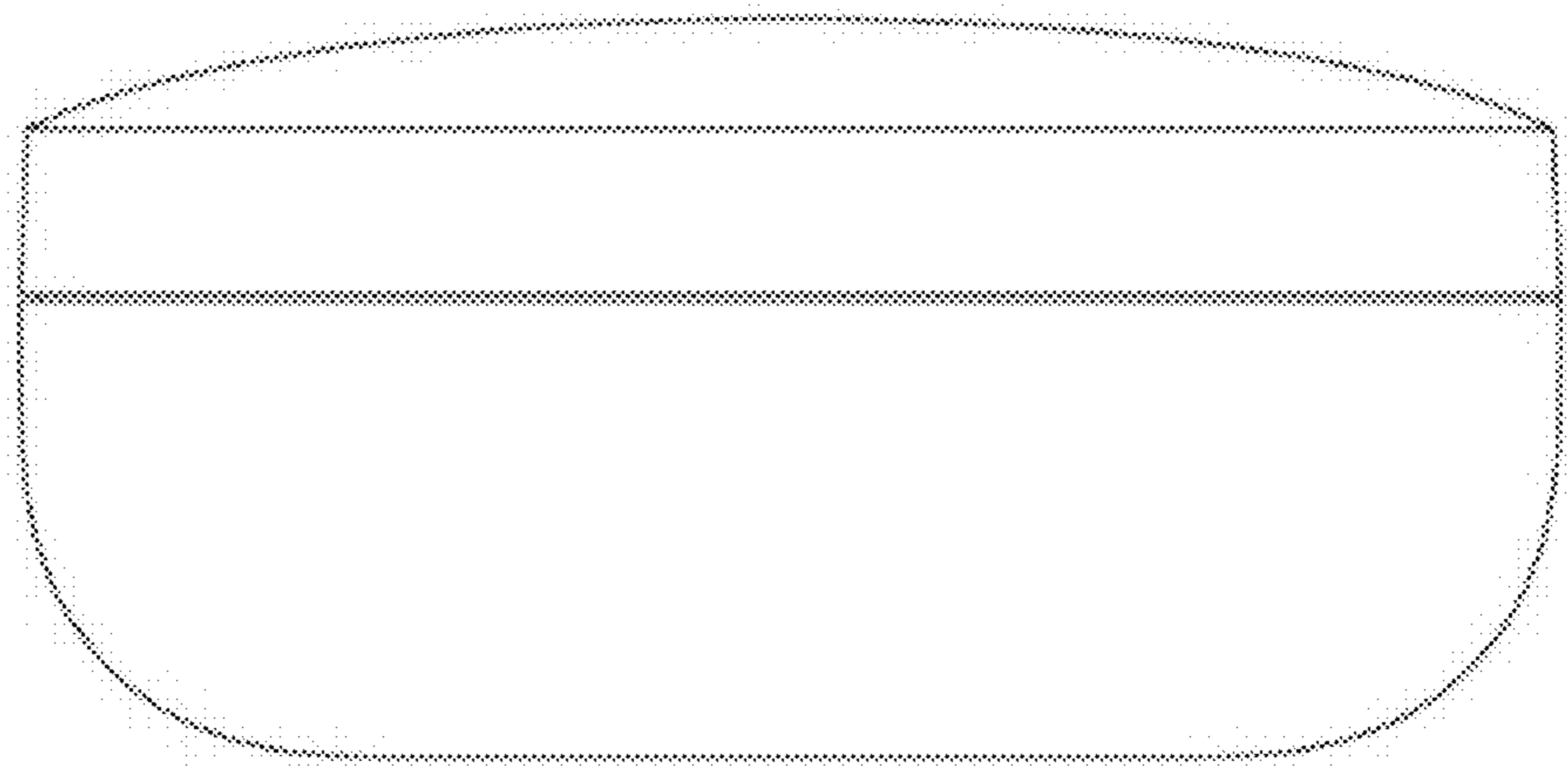
1.25



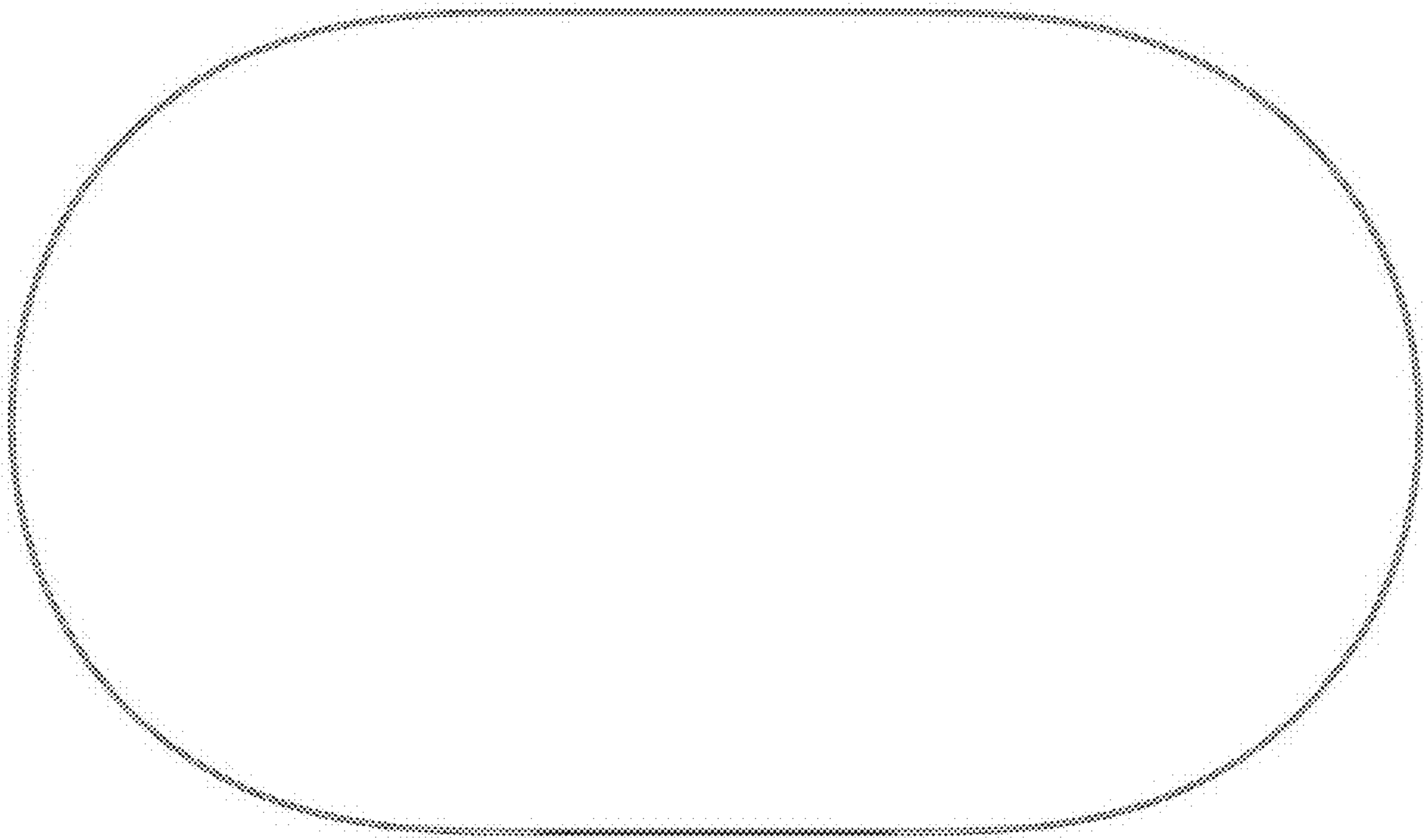
1.26



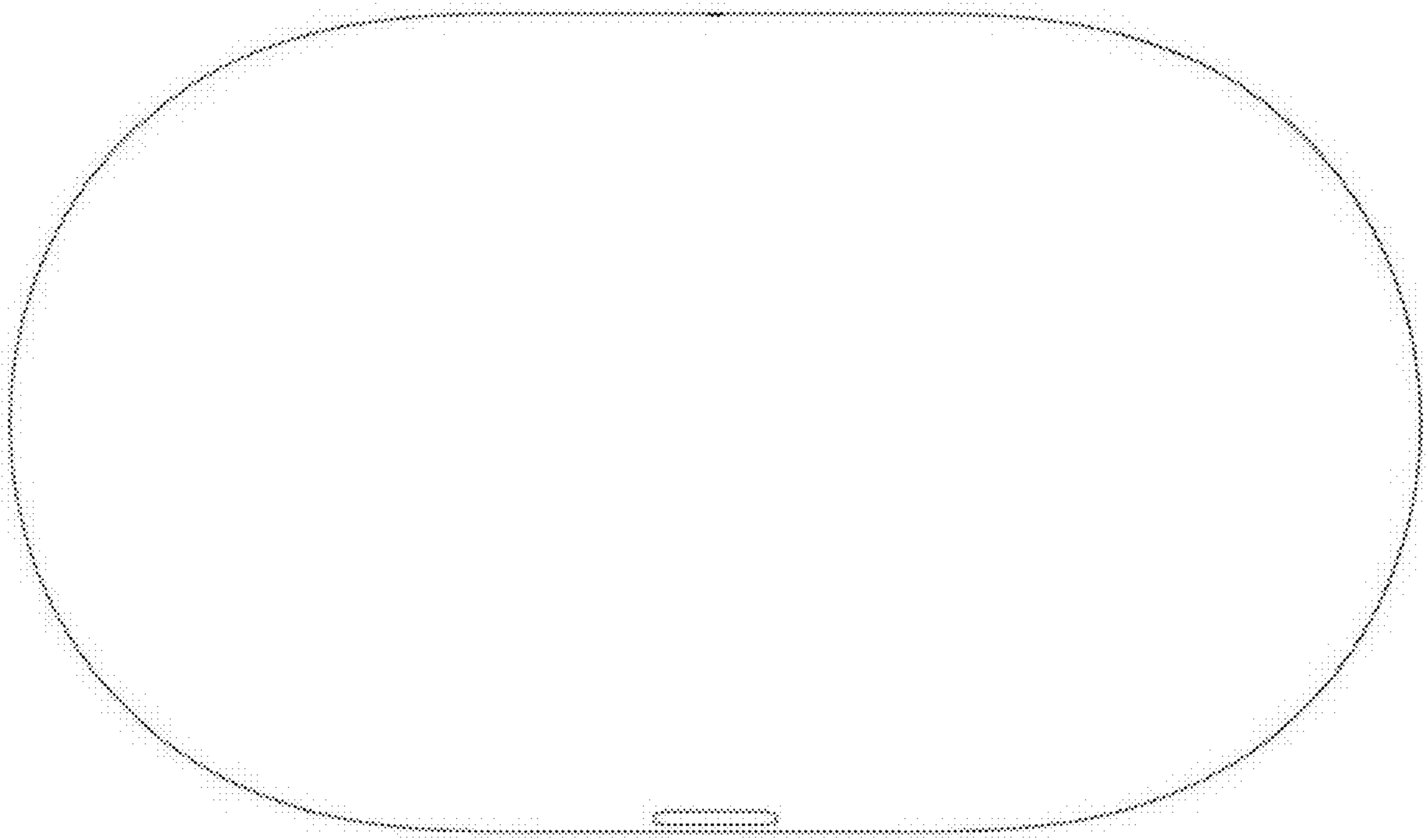
1.27



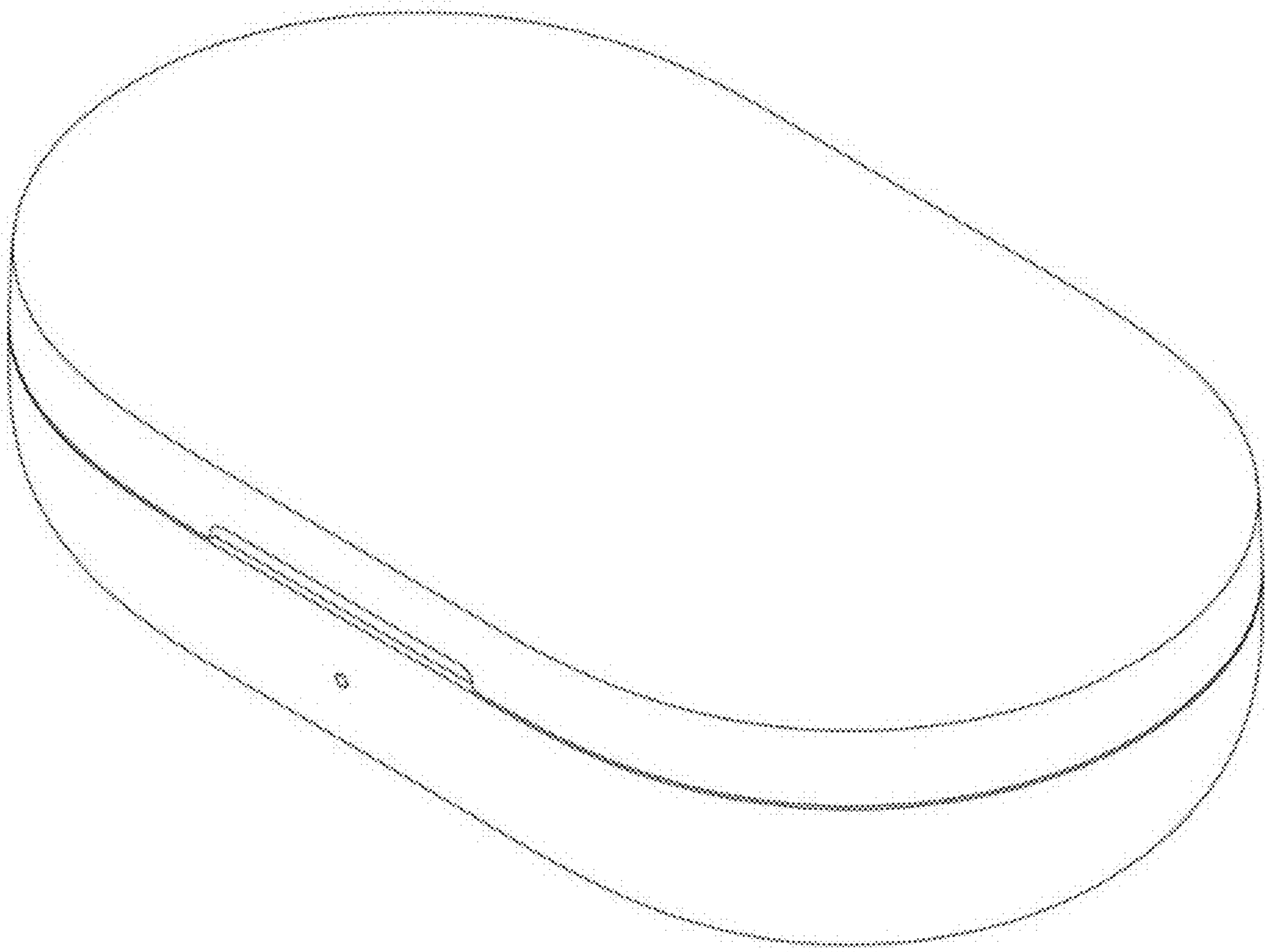
1.28



1.29



1.30



1.31

