



US00D933005S

(12) **United States Design Patent**
Yarbough et al.

(10) **Patent No.:** **US D933,005 S**

(45) **Date of Patent:** **** Oct. 12, 2021**

(54) **WIRELESS CHARGER**

(71) Applicant: **iOttie, Inc.**, New York, NY (US)

(72) Inventors: **Carlyle Patrick Yarbough**, Astoria, NY (US); **Jeremy Leeds-Frank**, Mineola, NY (US); **Bennett Gershkow**, San Rafael, CA (US)

(73) Assignee: **iOttie, Inc.**, New York, NY (US)

(**) Term: **15 Years**

(21) Appl. No.: **29/725,101**

(22) Filed: **Feb. 21, 2020**

(51) **LOC (13) Cl.** **13-02**

(52) **U.S. Cl.**
USPC **D13/108**

(58) **Field of Classification Search**
USPC D13/107-110, 118, 119, 184, 199
CPC .. Y02E 60/12; H01R 13/6675; H01M 2/1022;
H01M 2/1055; H01M 10/44; H01M
10/46; H01M 10/425; H02J 2001/008;
H02J 3/32; H02J 3/008; H02J 7/0027;
H02J 7/0013; H02J 7/0054; H02J 7/00;
B60R 16/03

See application file for complete search history.

(56) **References Cited**

U.S. PATENT DOCUMENTS

D762,650 S *	8/2016	Dang	D14/434
D776,053 S *	1/2017	Barnard	D13/108
D788,094 S *	5/2017	Kim	D14/253
D788,762 S *	6/2017	Kim	D14/253
D813,805 S *	3/2018	Zhong	D13/108
D816,027 S *	4/2018	Chen	D13/108
D826,851 S *	8/2018	Wang	D13/108
D839,190 S *	1/2019	Xie	D13/108
D852,134 S *	6/2019	Mei	D13/108
D852,135 S *	6/2019	Mei	D13/108

D855,566 S *	8/2019	Chen	D13/108
D857,626 S *	8/2019	Zhang	D13/108
D858,437 S *	9/2019	Lu	D13/108
D859,308 S *	9/2019	Connell	D13/108
D870,041 S *	12/2019	Choi	D13/108
D871,331 S *	12/2019	Langhammer	D13/108
D877,072 S *	3/2020	Yin	D13/108
D879,035 S *	3/2020	Li	D13/108
D881,123 S *	4/2020	Zhang	D13/108
D884,621 S *	5/2020	Feng	D13/108
D884,622 S *	5/2020	Huang	D13/108
D886,051 S *	6/2020	Chen	D13/108
D886,056 S *	6/2020	Zhang	D13/108
D889,403 S *	7/2020	Li	D13/108
D892,046 S *	8/2020	Peng	D13/108
D893,422 S *	8/2020	Xiao	D13/108

(Continued)

Primary Examiner — Christy Nemeth

(74) *Attorney, Agent, or Firm* — Lucas & Mercanti, LLP

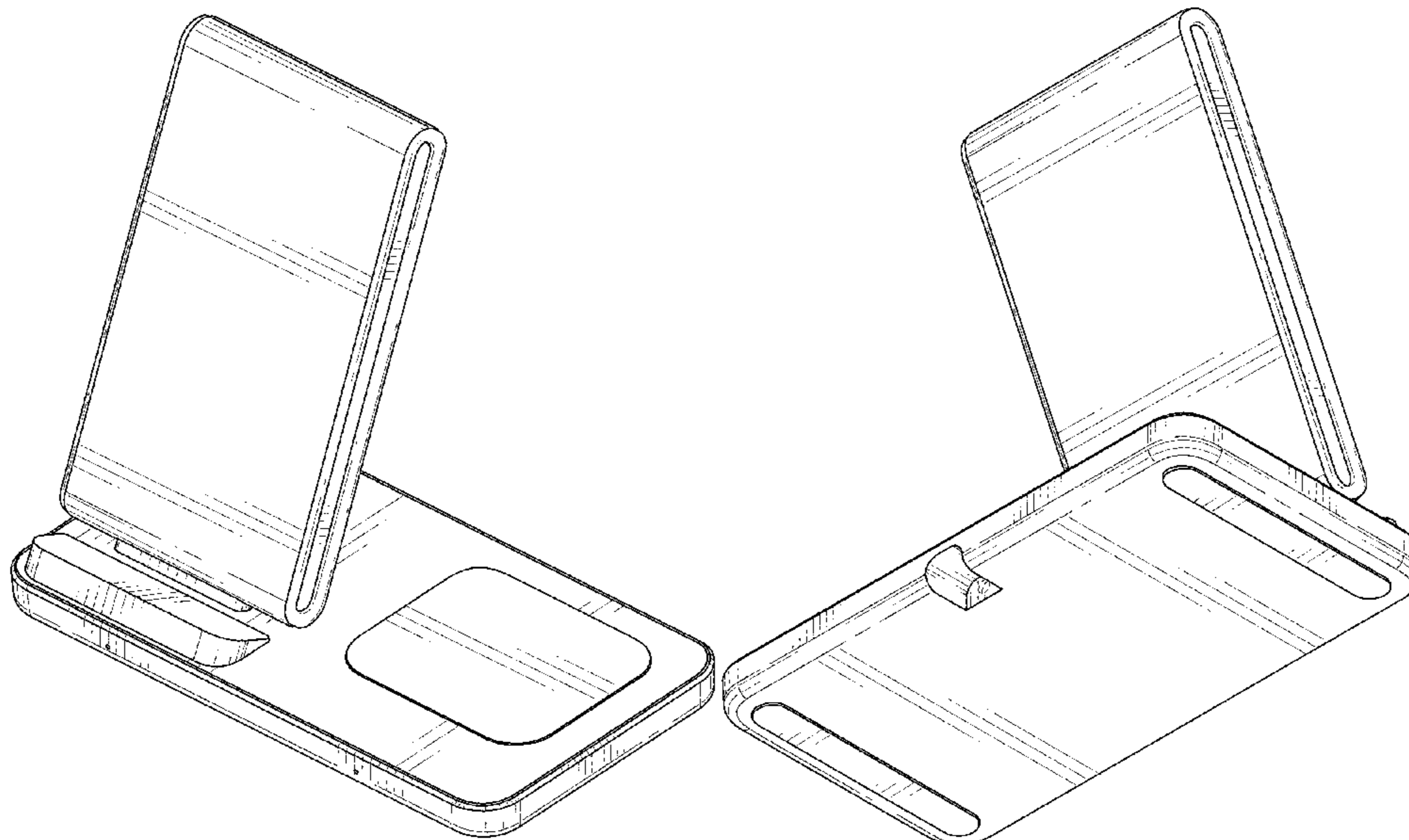
(57) **CLAIM**

The ornamental design for a wireless charger, as shown and described.

DESCRIPTION

FIG. 1 is a front view of our new design for a wireless charger;
FIG. 2 is a rear view thereof;
FIG. 3 is a right side view thereof;
FIG. 4 is a left side view thereof;
FIG. 5 is a top view thereof;
FIG. 6 is a bottom view thereof;
FIG. 7 is a left front top perspective view thereof;
FIG. 8 is a right rear bottom perspective view thereof;
FIG. 9 is a right front bottom perspective view thereof; and,
FIG. 10 is a left rear top perspective view.
The broken lines in the drawings are for the purpose of illustrating portions of the article that form no part of the claimed design.

1 Claim, 10 Drawing Sheets



(56)

References Cited

U.S. PATENT DOCUMENTS

D896,174	S	*	9/2020	Li	D13/108
D896,816	S	*	9/2020	Qiu	D14/434
D897,953	S	*	10/2020	Chen	D13/108
D900,735	S	*	11/2020	He	D13/108
D900,737	S	*	11/2020	Hsu	D13/108
D902,149	S	*	11/2020	Tu	D13/108
D904,978	S	*	12/2020	Liao	D13/108
D905,042	S	*	12/2020	Lim	D14/253
D907,575	S	*	1/2021	Xu	D13/108
D911,277	S	*	2/2021	Shang	D13/108
D911,278	S	*	2/2021	Shang	D13/108
D911,941	S	*	3/2021	Lee	D13/108
D913,919	S	*	3/2021	Wang	D13/108
2020/0185952	A1	*	6/2020	Morrow	H02J 7/0027

* cited by examiner

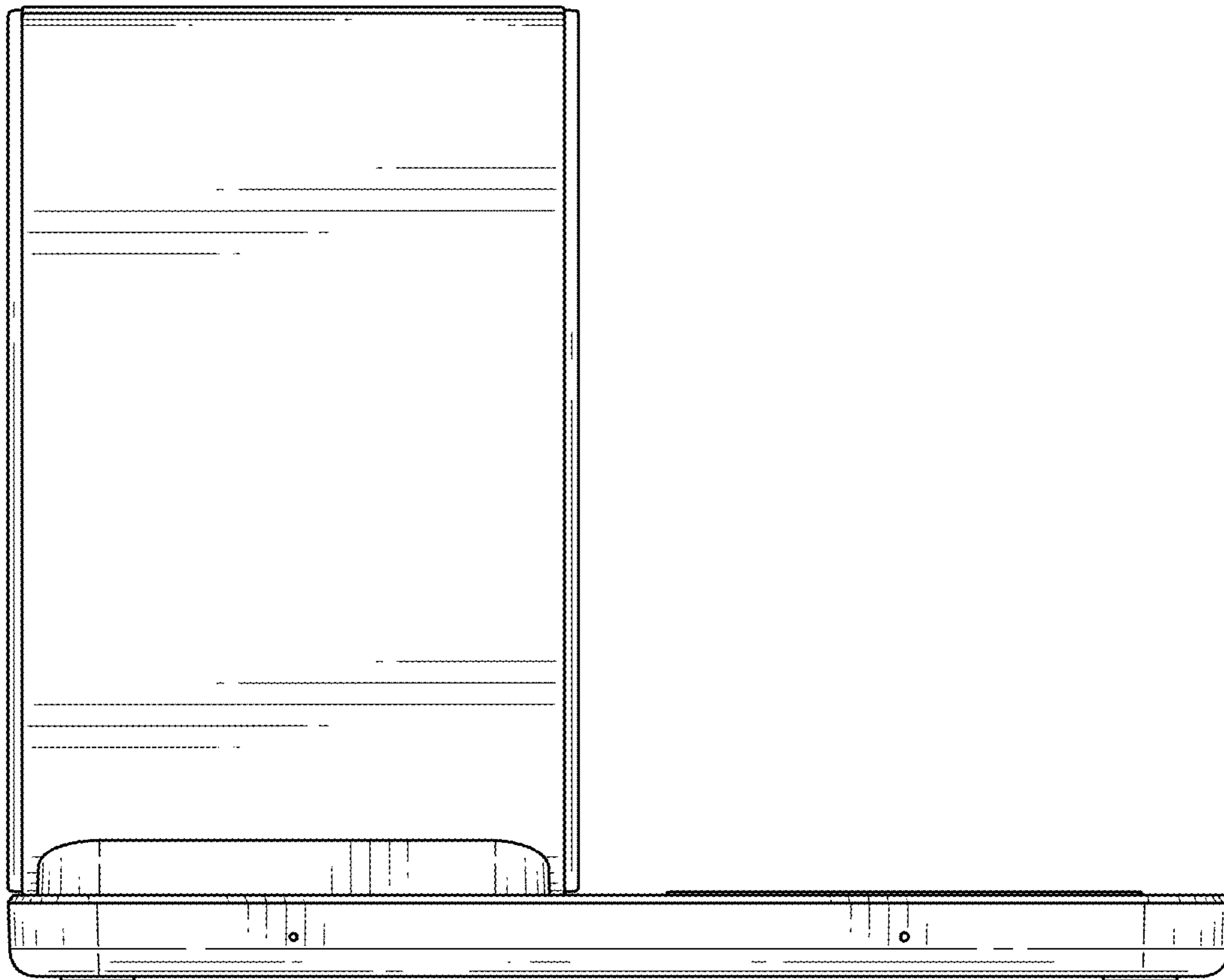


FIG. 1

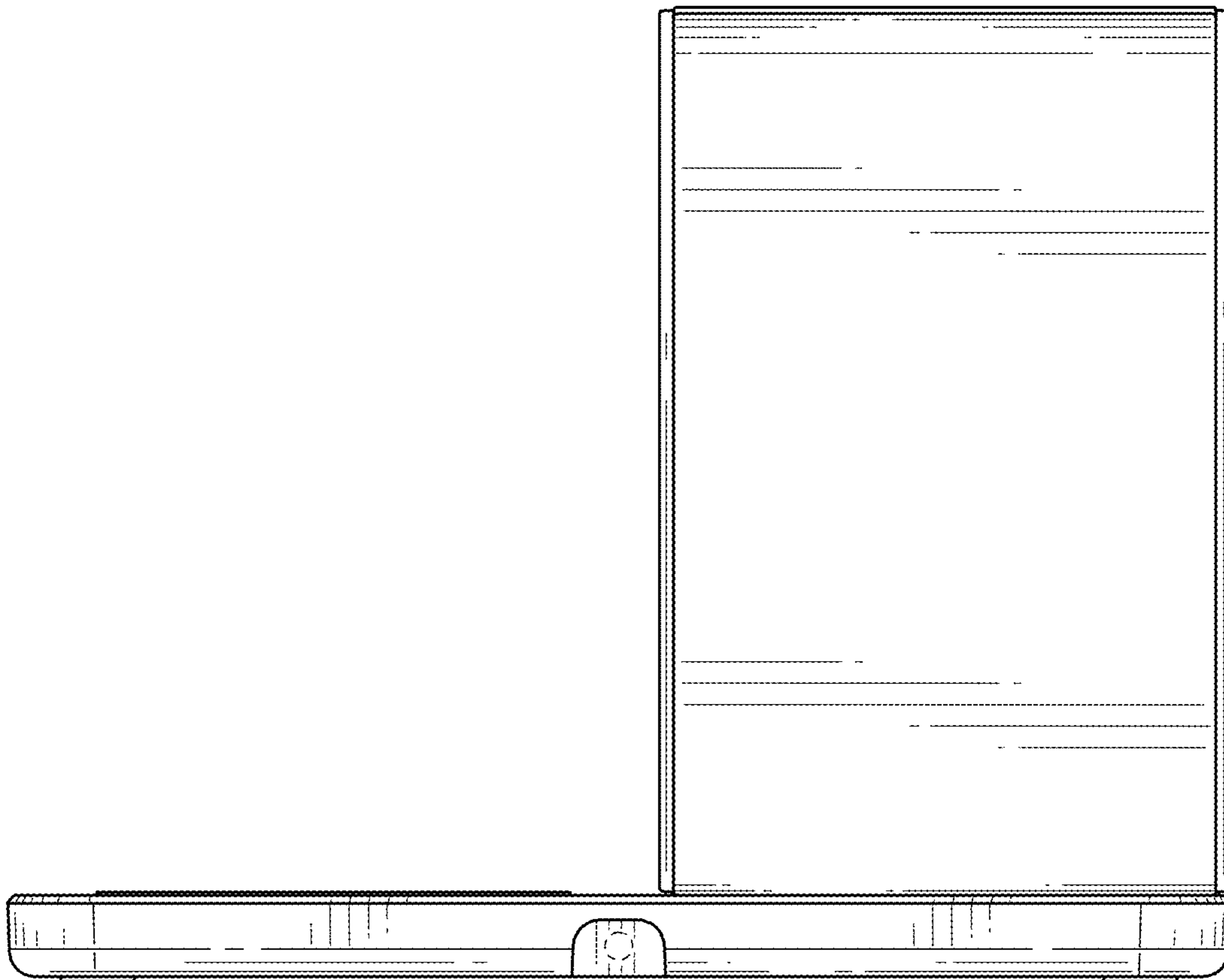


FIG. 2

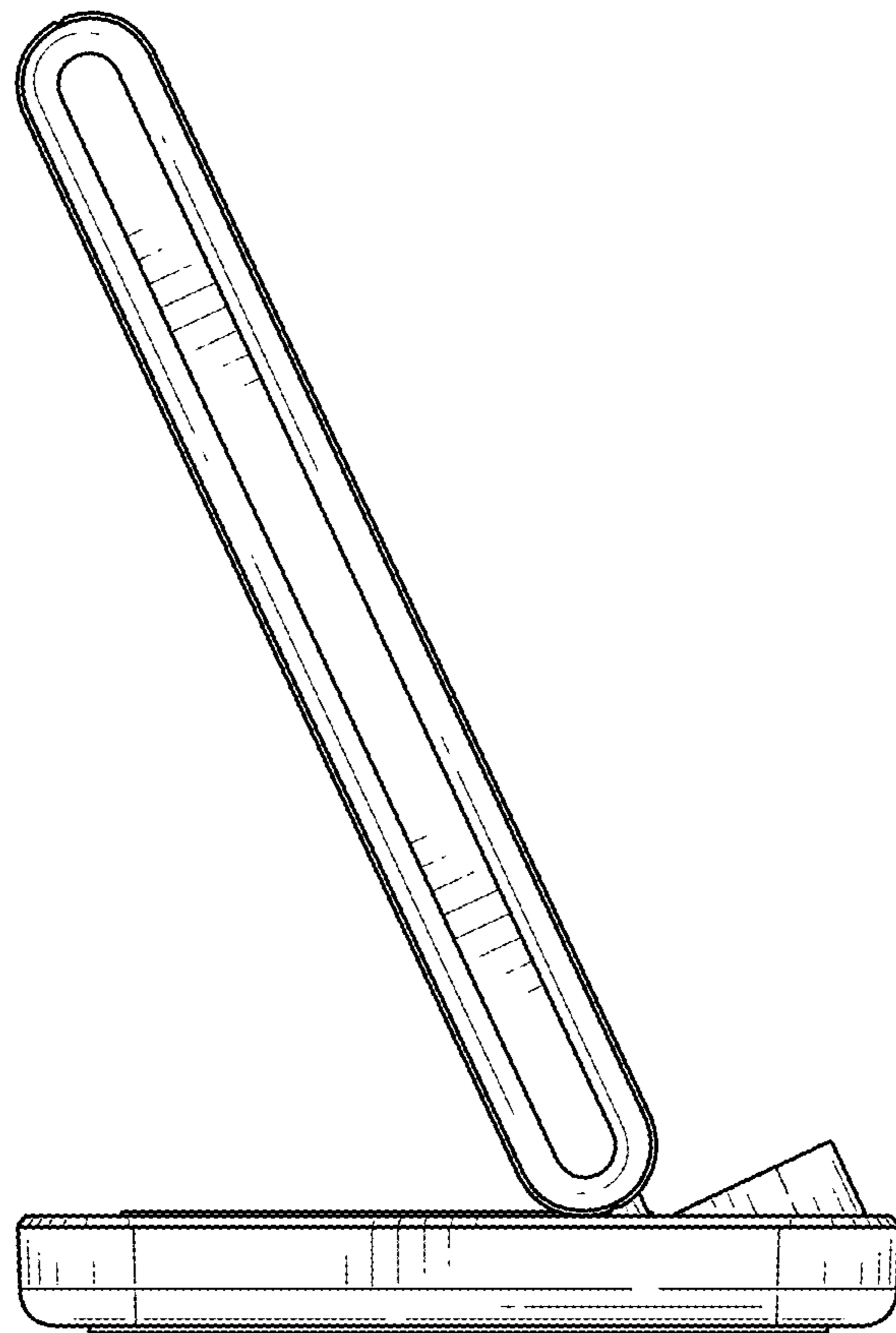


FIG. 3

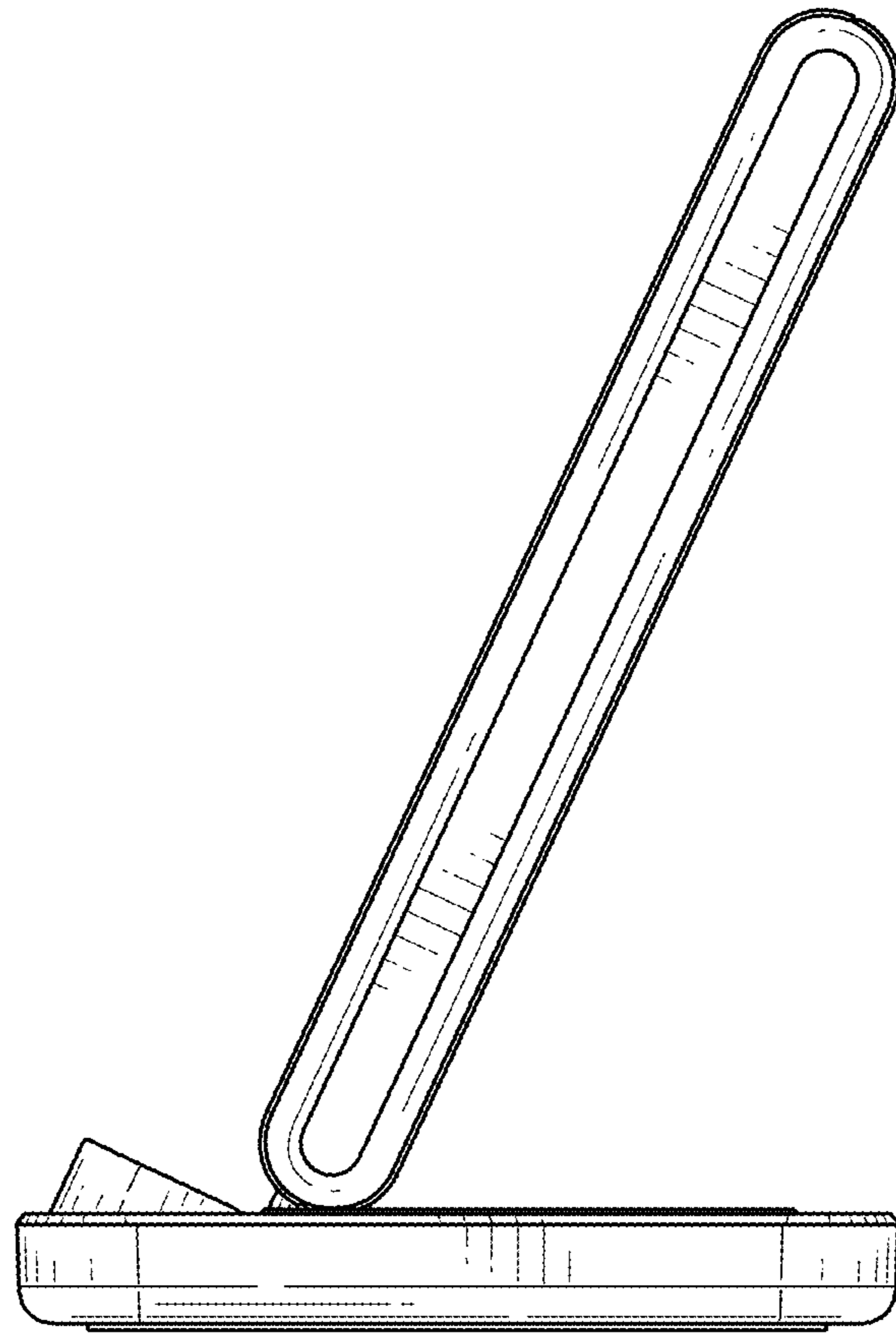


FIG. 4

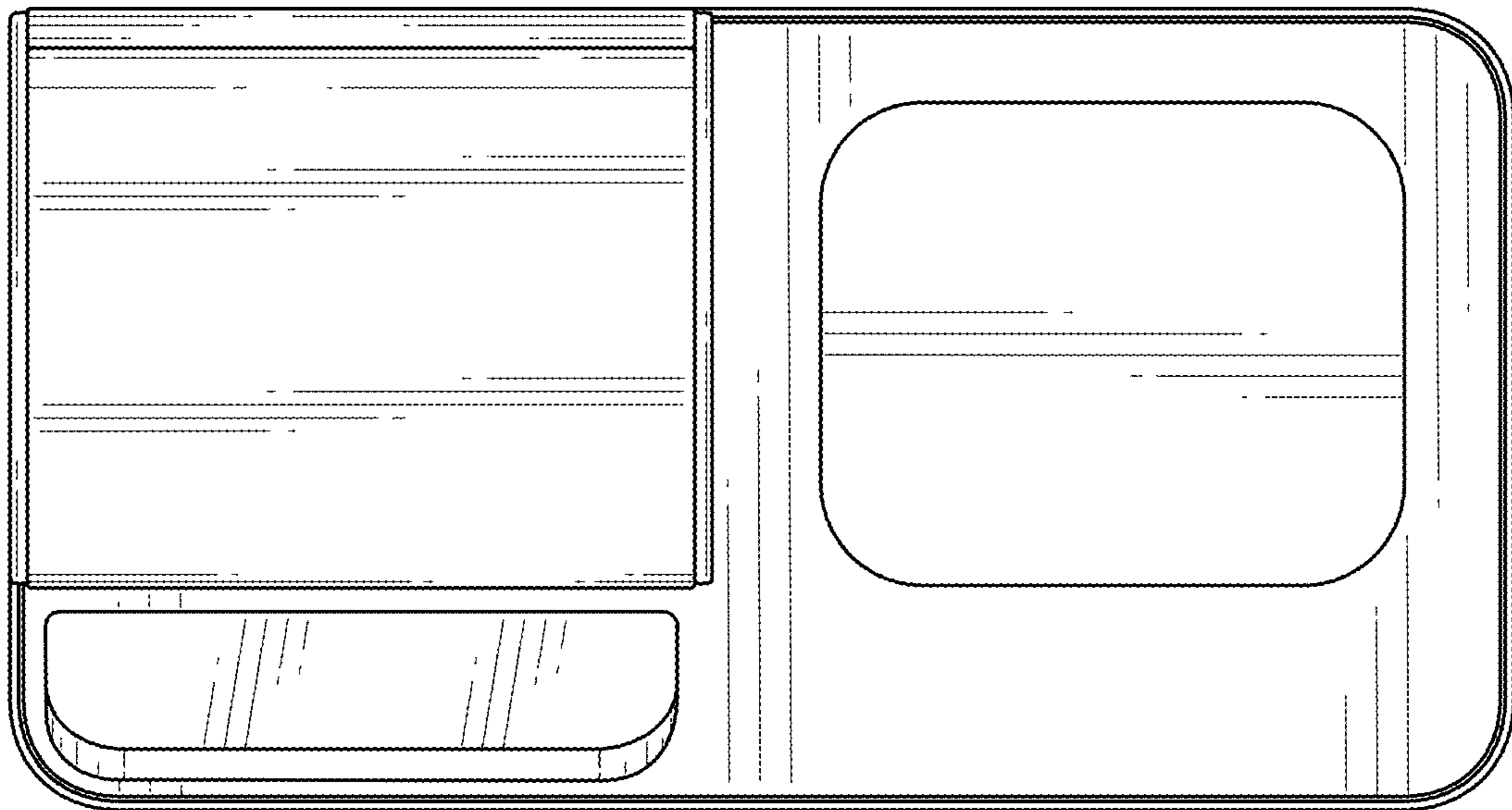


FIG. 5

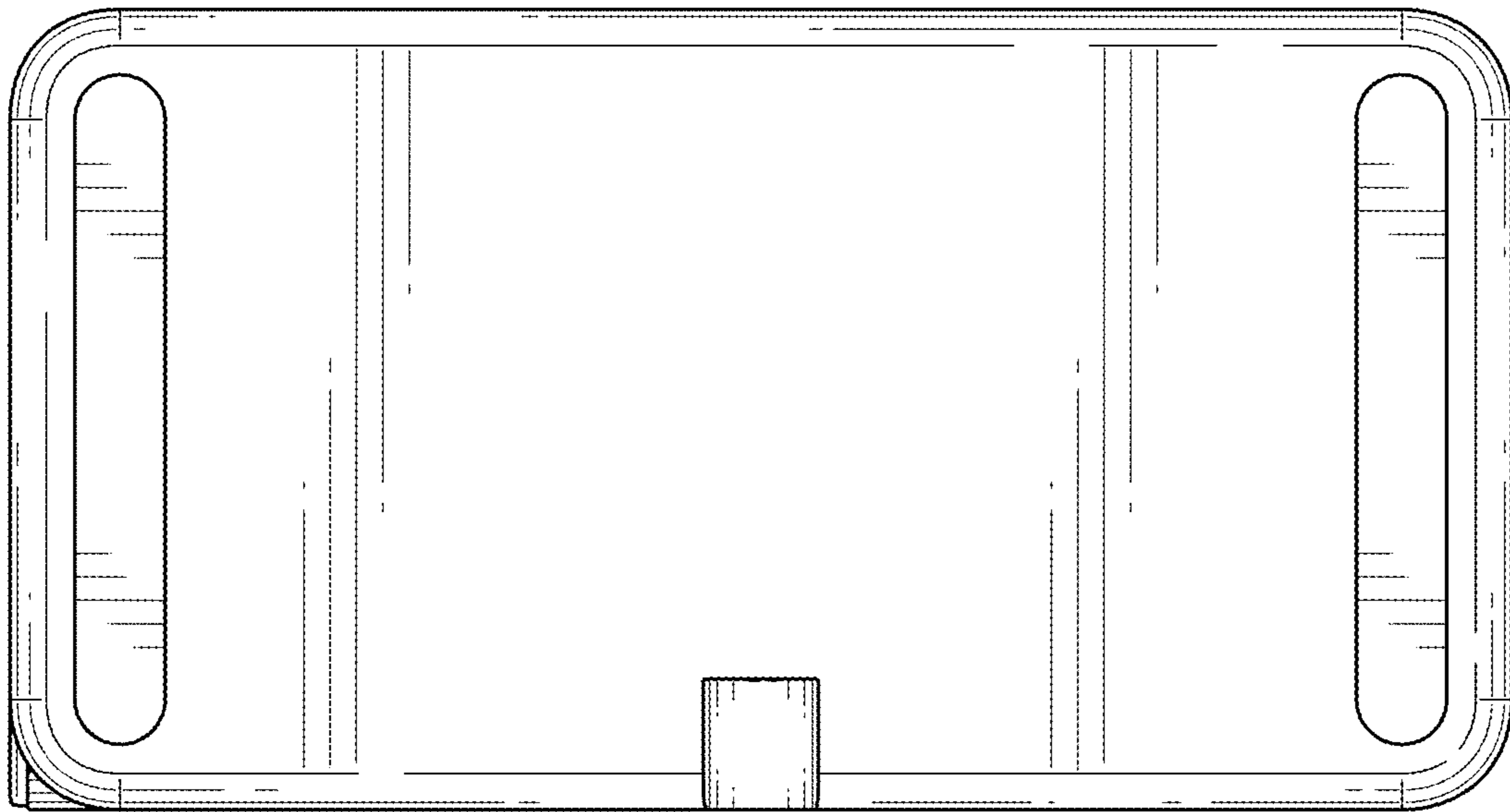


FIG. 6

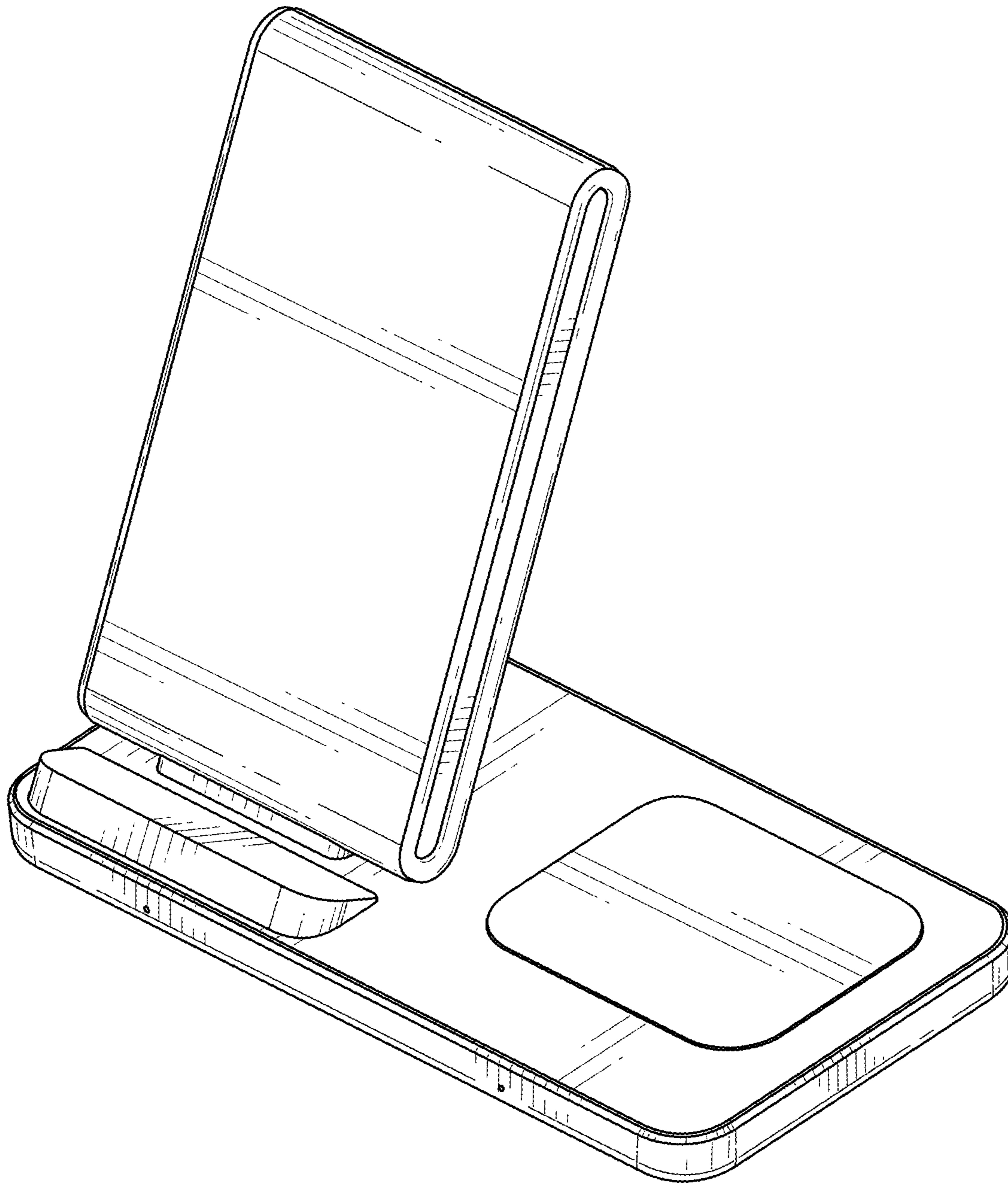


FIG. 7

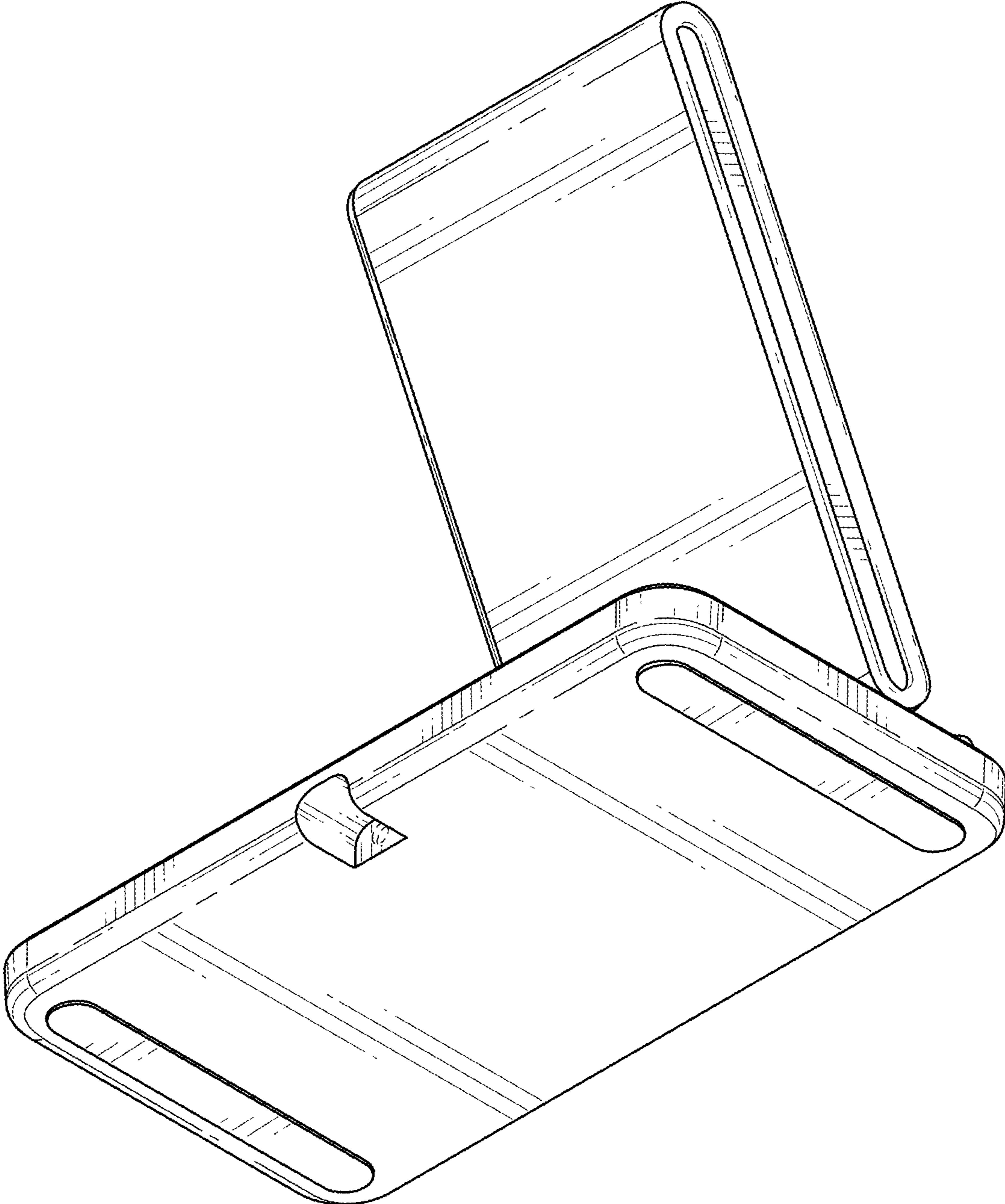


FIG. 8

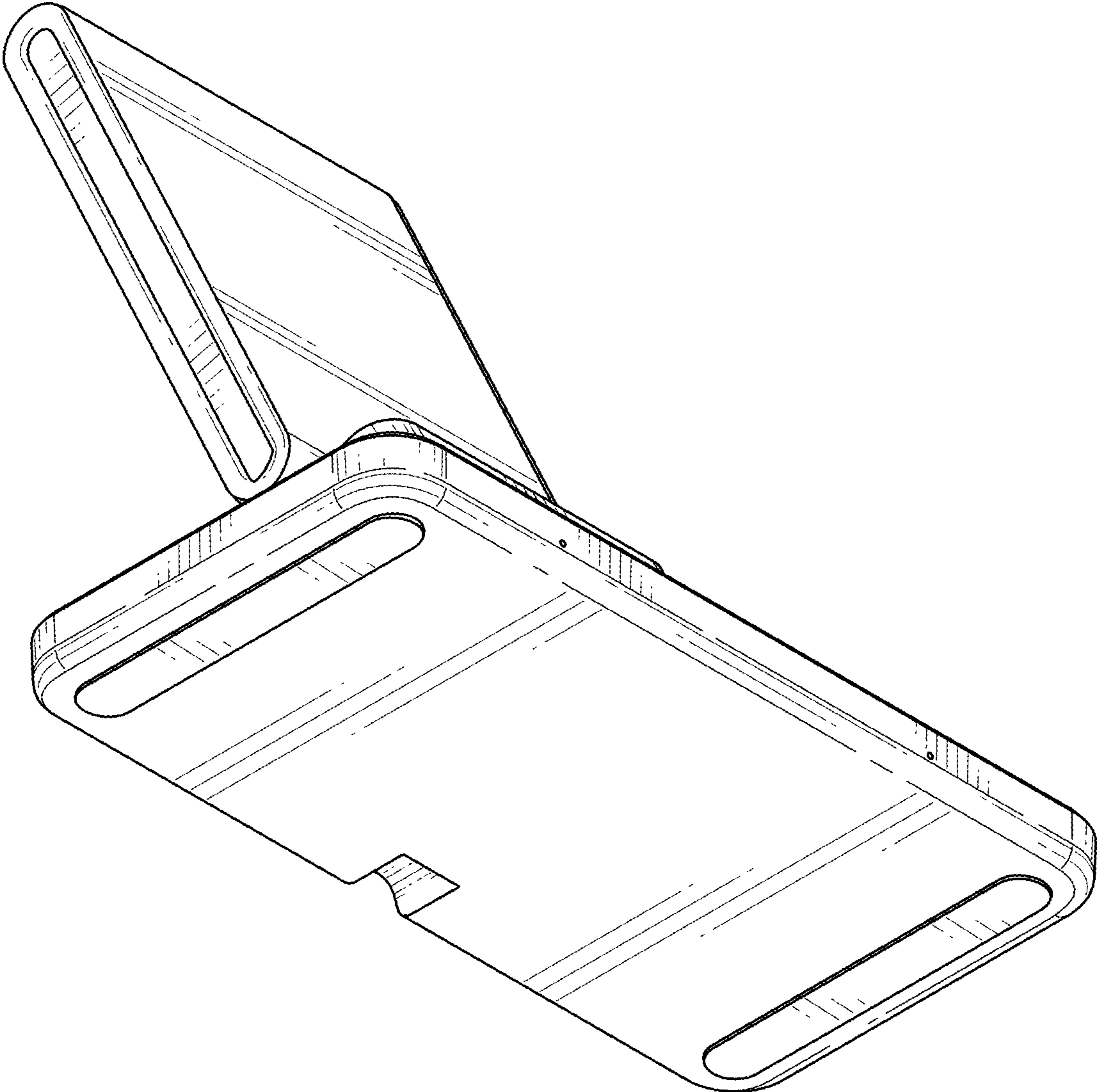


FIG. 9

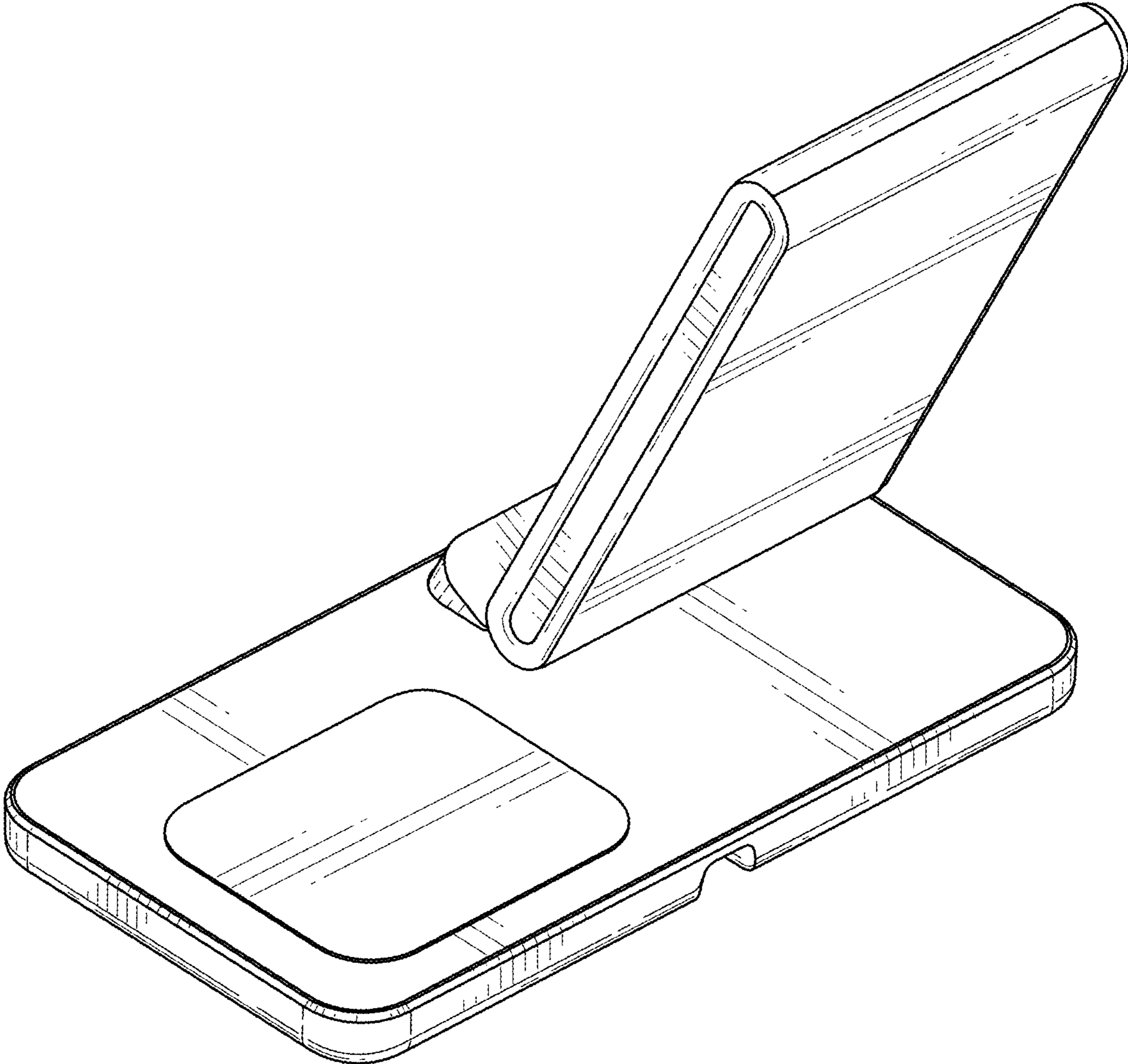


FIG. 10