



US00D933004S

(12) **United States Design Patent** (10) **Patent No.:** **US D933,004 S**  
**Li et al.** (45) **Date of Patent:** **\*\* Oct. 12, 2021**

(54) **EARBUD CASE**

(71) Applicant: **Bose Corporation**, Framingham, MA (US)

(72) Inventors: **Yutian Li**, Newton, MA (US); **Robert A. Warden**, Southborough, MA (US)

(73) Assignee: **Bose Corporation**, Framingham, MA (US)

(\*\*) Term: **15 Years**

(21) Appl. No.: **29/710,813**

(22) Filed: **Oct. 25, 2019**

(51) **LOC (13) Cl.** ..... **13-02**

(52) **U.S. Cl.**  
USPC ..... **D13/108**; D3/294

(58) **Field of Classification Search**

USPC ... D3/203.1–203.6, 208, 219, 226, 230, 234,  
D3/235, 238, 242, 263, 264, 269, 270,  
D3/271.1, 271.2, 273, 274, 276, 282–284,  
D3/286, 294, 303, 304, 313, 314;  
D13/107–108; D14/204–207, 217, 223,  
D14/440; D29/108, 112, 122  
CPC ..... A45C 2011/001; A45C 2011/002; A45C  
2011/003; A45C 11/005; A45C 11/04;  
A45C 11/16; A45C 13/002; A45C  
13/025; A45C 13/005; A47F 7/02; A47F  
7/03; A47G 23/06; G06F 1/1628; H02J  
7/0003;

(Continued)

(56) **References Cited**

**U.S. PATENT DOCUMENTS**

D49,217 S 6/1916 King  
D259,596 S 6/1981 Gray

(Continued)

**FOREIGN PATENT DOCUMENTS**

CN 306226588 \* 12/2020  
JP D1588376 \* 10/2017

**OTHER PUBLICATIONS**

Samsung Galaxy Buds True Wireless In-Ear Bluetooth Headphones . . . , first available Jan. 10, 2020, amazon.com [online], [site visited Feb. 25, 2021], Available at internet URL: [https://www.amazon.com/Samsung-SM-R170-Bluetooth-Earbuds-Smartphones/dp/B07RF7CSVD/ref=psdc\\_172541\\_t5\\_B08P6VHWNH?th=1](https://www.amazon.com/Samsung-SM-R170-Bluetooth-Earbuds-Smartphones/dp/B07RF7CSVD/ref=psdc_172541_t5_B08P6VHWNH?th=1) (Year: 2020).\*

(Continued)

*Primary Examiner* — April Rivas

*Assistant Examiner* — Caitlin A Laverty

(74) *Attorney, Agent, or Firm* — Bose Corporation

(57) **CLAIM**

The ornamental design for an earbud case, substantially as shown and described.

**DESCRIPTION**

FIG. 1 is a perspective view of an earbud case, shown in a closed configuration, as seen from the top, right side and front;

FIG. 2 is top view thereof;

FIG. 3 is a left side view thereof;

FIG. 4 is a bottom view thereof;

FIG. 5 is a right side view thereof;

FIG. 6 is a front view thereof;

FIG. 7 is a back view thereof.

FIG. 8 is a perspective view of the earbud case of FIG. 1, shown in an open configuration, as seen from the top, right side and front;

FIG. 9 is top view thereof;

FIG. 10 is a left side view thereof;

FIG. 11 is a bottom view thereof;

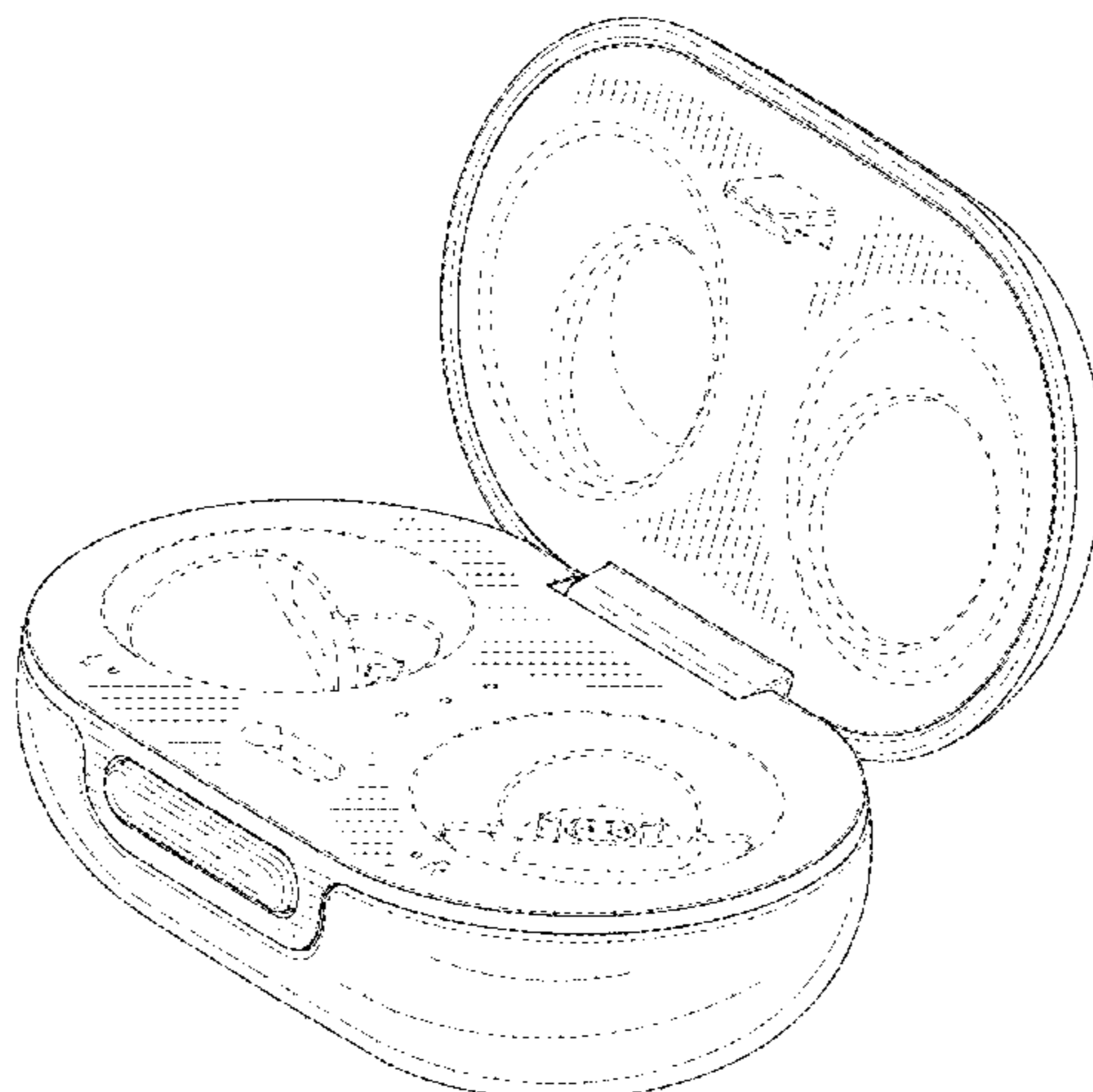
FIG. 12 is a right side view thereof;

FIG. 13 is a front view thereof; and,

FIG. 14 is a back view thereof.

The dotted line portions of the drawings represent environmental structure only and do not form part of the claimed design.

**1 Claim, 14 Drawing Sheets**



(58) **Field of Classification Search**

CPC ..... H02J 7/0007; H02J 7/0027; H02J 7/0042;  
 H02J 7/0044; H02J 7/0045; H02J 7/0068;  
 H02J 7/025; H02J 7/026; H02J 7/342;  
 H02J 7/345; H02J 50/00; H02J 50/10;  
 H02J 50/12; H02J 50/40; H02J 50/50;  
 H02J 50/80; H02J 50/402; H04R 1/10;  
 H04R 1/1016; H04R 1/1025; H04R  
 1/1033; H04R 1/1058; H04R 1/105;  
 H04R 1/1091; H04R 1/02; H04R 25/00;  
 H04R 25/02

D908,084 S \* 1/2021 He ..... D13/108  
 D910,603 S \* 2/2021 Li ..... D14/223  
 D911,274 S \* 2/2021 Ding ..... D13/108  
 D913,223 S \* 3/2021 Li ..... D13/108  
 D918,138 S \* 5/2021 Ma ..... D13/108  
 2004/0195113 A1 10/2004 Yoshizawa  
 2008/0083627 A1 4/2008 Hamm  
 2010/0294675 A1 11/2010 Mangano  
 2013/0308428 A1 11/2013 Westcott  
 2015/0173573 A1 6/2015 Dunn et al.  
 2019/0069066 A1\* 2/2019 Song ..... H04R 1/1041  
 2020/0304899 A1\* 9/2020 Cramer ..... A45C 11/00  
 2020/0321792 A1\* 10/2020 Rhee ..... H04R 1/1025

See application file for complete search history.

(56) **References Cited**

U.S. PATENT DOCUMENTS

D281,281 S 11/1985 Matalon  
 D452,611 S 1/2002 Redgrave  
 D480,864 S 10/2003 Sayers et al.  
 D481,532 S 11/2003 Sayers et al.  
 D501,845 S 2/2005 Allen  
 D506,065 S 6/2005 Sugino et al.  
 D545,563 S 7/2007 Margiotta  
 D561,471 S 2/2008 Nakamura  
 D572,654 S \* 7/2008 Kang ..... D13/107  
 D586,557 S 2/2009 Jalet  
 D609,009 S 2/2010 Schaal et al.  
 D611,450 S 3/2010 Miyazaki  
 D636,598 S 4/2011 Tseng et al.  
 D660,590 S \* 5/2012 Seidel ..... D3/264  
 D674,181 S 1/2013 Faulkner et al.  
 D674,775 S 1/2013 Bolton  
 D676,654 S 2/2013 Weremchuk et al.  
 D713,642 S 9/2014 Krauss  
 D731,178 S 6/2015 Gorouvein et al.  
 D735,132 S 7/2015 Donohue, II et al.  
 D738,110 S 9/2015 Jiang et al.  
 D742,854 S 11/2015 Warden et al.  
 D745,775 S 12/2015 Provost et al.  
 D749,056 S 2/2016 Xin et al.  
 D750,597 S 3/2016 Fischer et al.  
 D759,632 S 6/2016 Fischer et al.  
 D769,185 S 10/2016 Lee et al.  
 D772,572 S \* 11/2016 Palmborg ..... D3/294  
 D775,818 S 1/2017 Ingraham  
 D793,717 S 8/2017 Boljat  
 D797,703 S 9/2017 Boyd et al.  
 D798,268 S 9/2017 Fang  
 D798,594 S 10/2017 Boler et al.  
 D817,640 S \* 5/2018 Dang ..... D3/294  
 D841,580 S \* 2/2019 Bao ..... D13/108  
 D841,581 S \* 2/2019 Bonahoom ..... D13/108  
 D846,264 S \* 4/2019 Wu ..... D3/201  
 D863,261 S \* 10/2019 Zhu ..... D14/223  
 D873,217 S \* 1/2020 Zhang ..... D13/108  
 D878,045 S \* 3/2020 Akana ..... D3/274  
 D878,048 S \* 3/2020 Wang ..... D3/294  
 D881,810 S \* 4/2020 Zhang ..... D13/108  
 D882,262 S \* 4/2020 Zhang ..... D3/294  
 D886,454 S \* 6/2020 Williamson ..... D3/294  
 D887,351 S \* 6/2020 Bonahoom ..... D13/108  
 10,701,472 B1 \* 6/2020 Xu ..... H02J 7/0044  
 D897,664 S \* 10/2020 Li ..... D3/201  
 D904,760 S \* 12/2020 Hyun ..... D3/273

OTHER PUBLICATIONS

JLab Audio JBuds Air True Wireless Signature Bluetooth Earbuds + Charging Case . . . , first available Sep. 18, 2018, amazon.com [online], [site visited Feb. 25, 2021], Available at internet URL: [https://www.amazon.com/Wireless-Signature-Bluetooth-Earbuds-Charging/dp/B07HGL3J31/ref=asc\\_df\\_B07HGL3J31/?tag=hyprod-20&linkCode=df0&hvadid=312142335725&hvpos=&hvnetw=g&hvrnd=85419077363599177&hvpon=&hvptwo=&hvqmt=&hvdev=c&hvdvcmdl=&hvlocint=&hvlocphy=9008156&hvtargid=pla-568832287582&pssc=1](https://www.amazon.com/Wireless-Signature-Bluetooth-Earbuds-Charging/dp/B07HGL3J31/ref=asc_df_B07HGL3J31/?tag=hyprod-20&linkCode=df0&hvadid=312142335725&hvpos=&hvnetw=g&hvrnd=85419077363599177&hvpon=&hvptwo=&hvqmt=&hvdev=c&hvdvcmdl=&hvlocint=&hvlocphy=9008156&hvtargid=pla-568832287582&pssc=1) (Year: 2018).\*

Bose SoundSport Free Review, available Oct. 27, 2017, [online], [site visited Dec. 26, 2017]. Available from internet, <URL: <https://www.theverge.com/circuitbreaker/2017/10/27/16508068/bose-soundspo-rt-free-review-truly-wireless-earbuds> (Year: 2017).

Bose Announces \$250 ‘SoundSport Free’ Wireless Headphones Launching in October, available Sep. 21, 2017, [online], [site visited Dec. 26, 2017]. Available from internet, <URL: <https://www.macrumors.com/2017/09/21/bose-announces-soundsport-free/> (Year: 2017).

JLAB Audio Announce Completely Wireless Epic Air Earbuds for Preorder, available Oct. 26, 2016, [online], [site visited Dec. 26, 2017]. Available from internet, <URL: <https://soundreview.org/audio/jlab-audio-announce-completely-wireless-epi-c-air-earbuds/> (Year: 2016).

Samsung Introduces the Gear IconX Wireless Earbuds, available Jun. 6, 2016, [online], [site visited Dec. 26, 2017]. Available from internet, <URL: <http://www.ohgizmo.com/2016/06/06/samsung-introduces-the-gear-ic-onx-wireless-earbuds/> (Year: 2016).

Jabra Elite Sport (via Gizmodo), available Sep. 7, 2017, [online], [site visited Jan. 4, 2018]. Available from internet, <URL <https://gizmodo.com/an-insanely-long-list-of-ways-to-deal-with-the-iphone-h-1786067822> (Year: 2017).

Bragi The Dash (via Gizmodo), available Sep. 7, 2017, [online], [site visited Jan. 4, 2018]. Available from internet, <URL: <https://gizmodo.com/an-insanely-long-list-of-ways-to-deal-with-the-iphone-h-1786067822> (Year: 2017).

Bragi The Headphone (via Gizmodo), available Sep. 7, 2017, [online], [site visited Jan. 4, 2018]. Available from internet, <URL: <https://gizmodo.com/an-insanely-long-list-of-ways-to-deal-with-the-iphone-h-1786067822> (Year: 2017).

For Bose SoundLink Revolve + Plus Bluetooth Speaker Bag Cover (by Khanka via amazon.co.uk), available Apr. 18, 2017, [online], [site visited Jan. 4, 2018]. Available from internet, <URL: <https://www.amazon.co.uk/SoundLink-Bluetooth-Charging-Carrying-Khanka-Rou-nd/dp/B06ZYS67P2> (Year: 2017).

\* cited by examiner



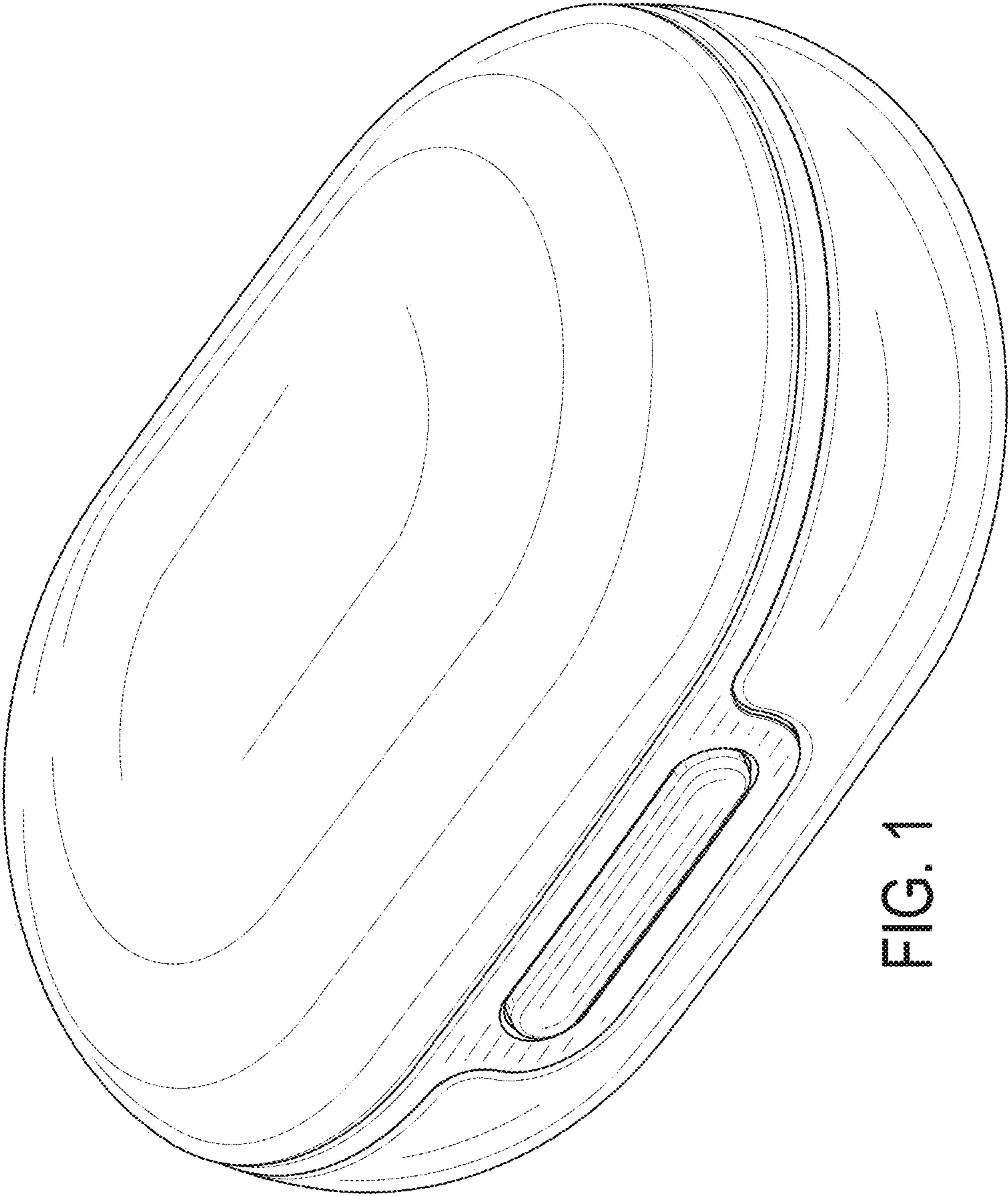


FIG. 1

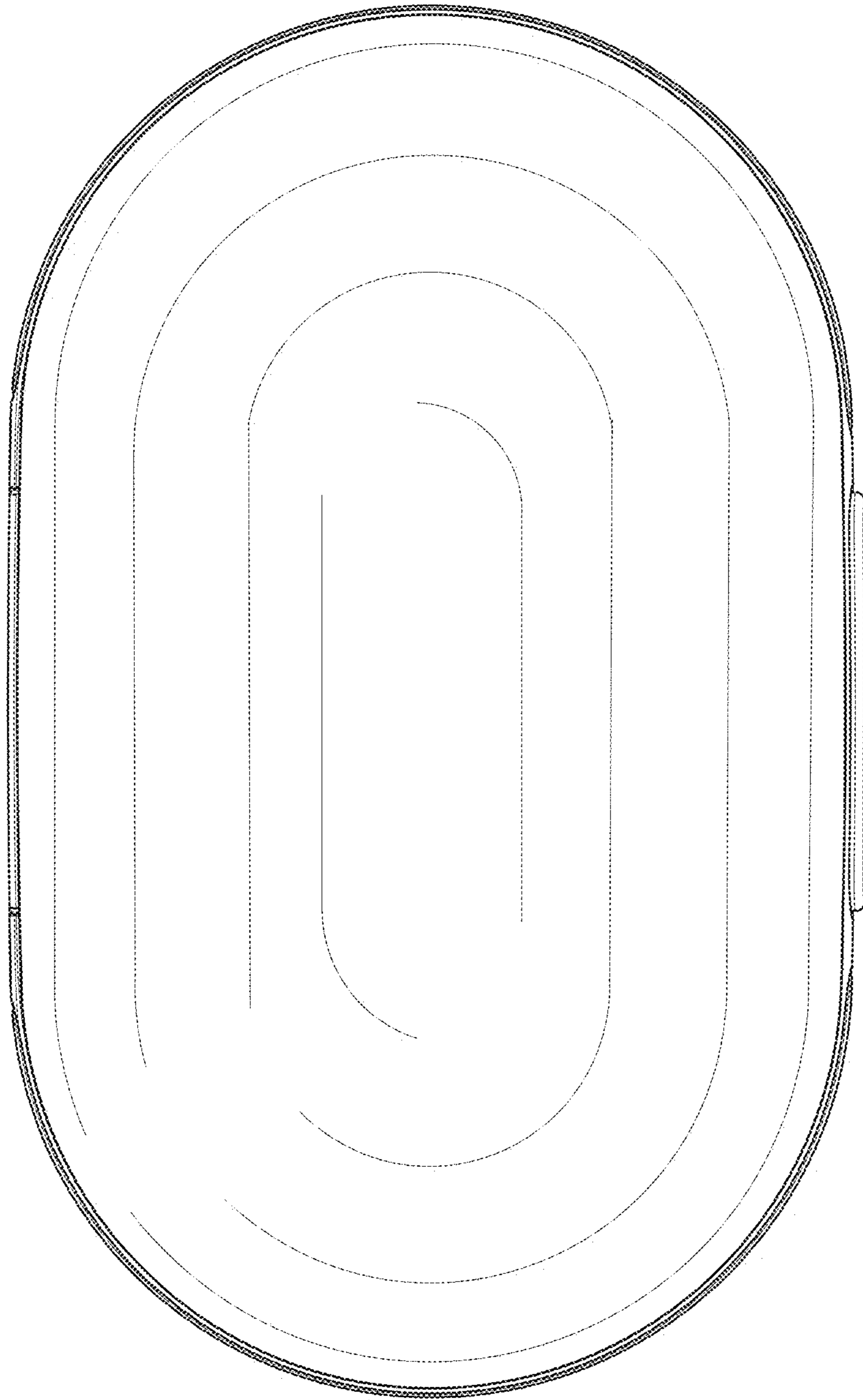


FIG. 2

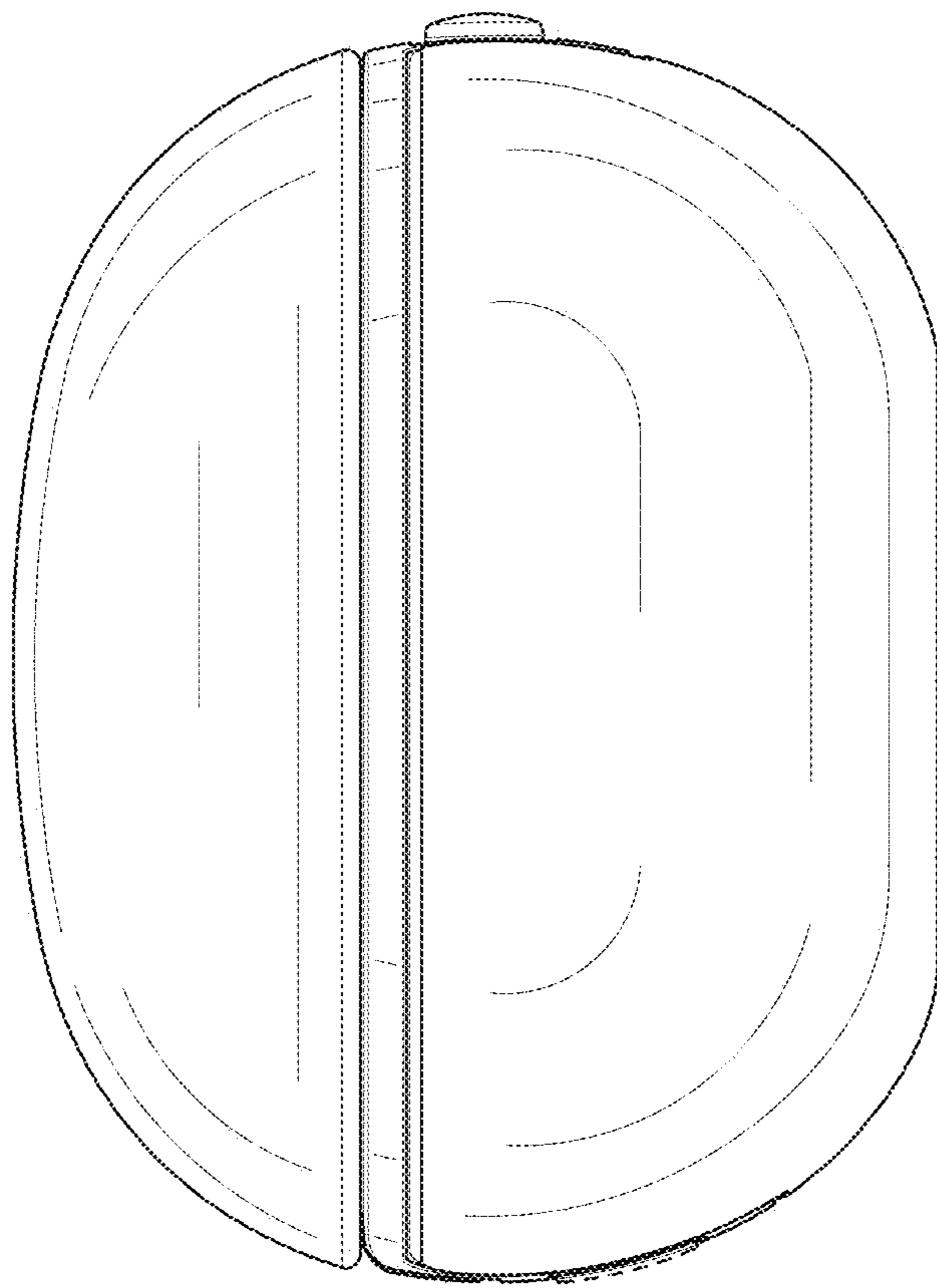


FIG. 3

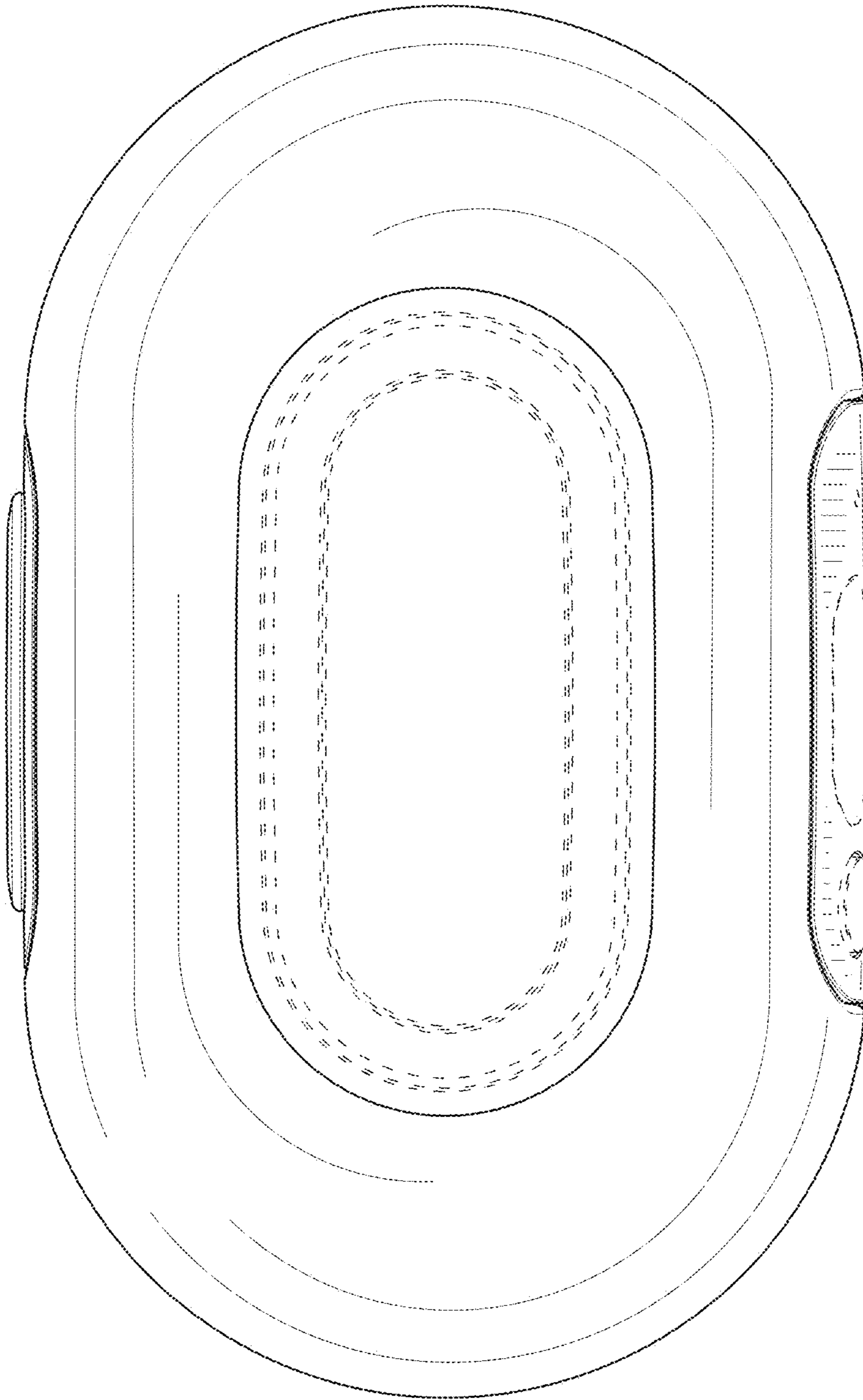


FIG. 4

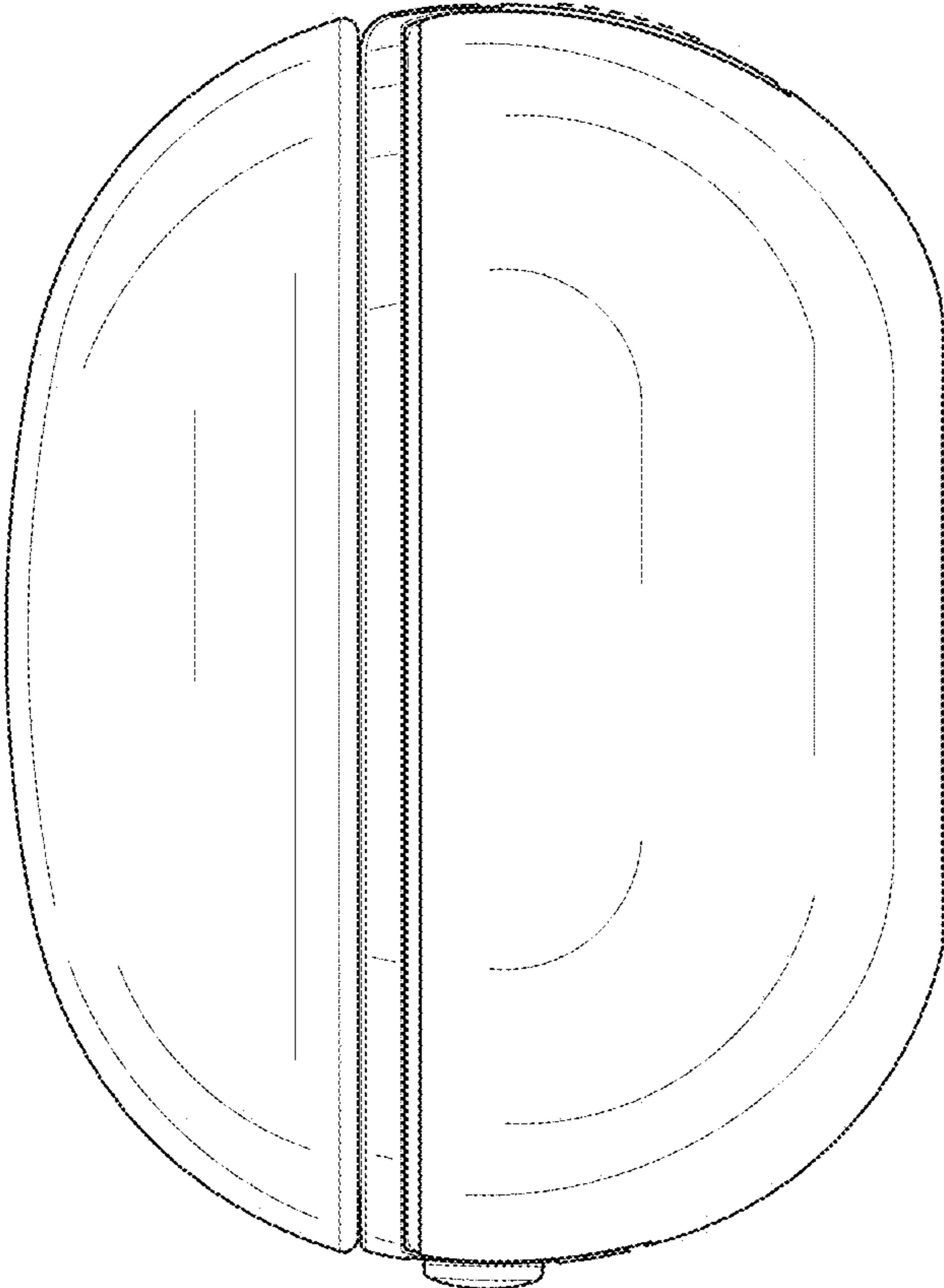


FIG. 5

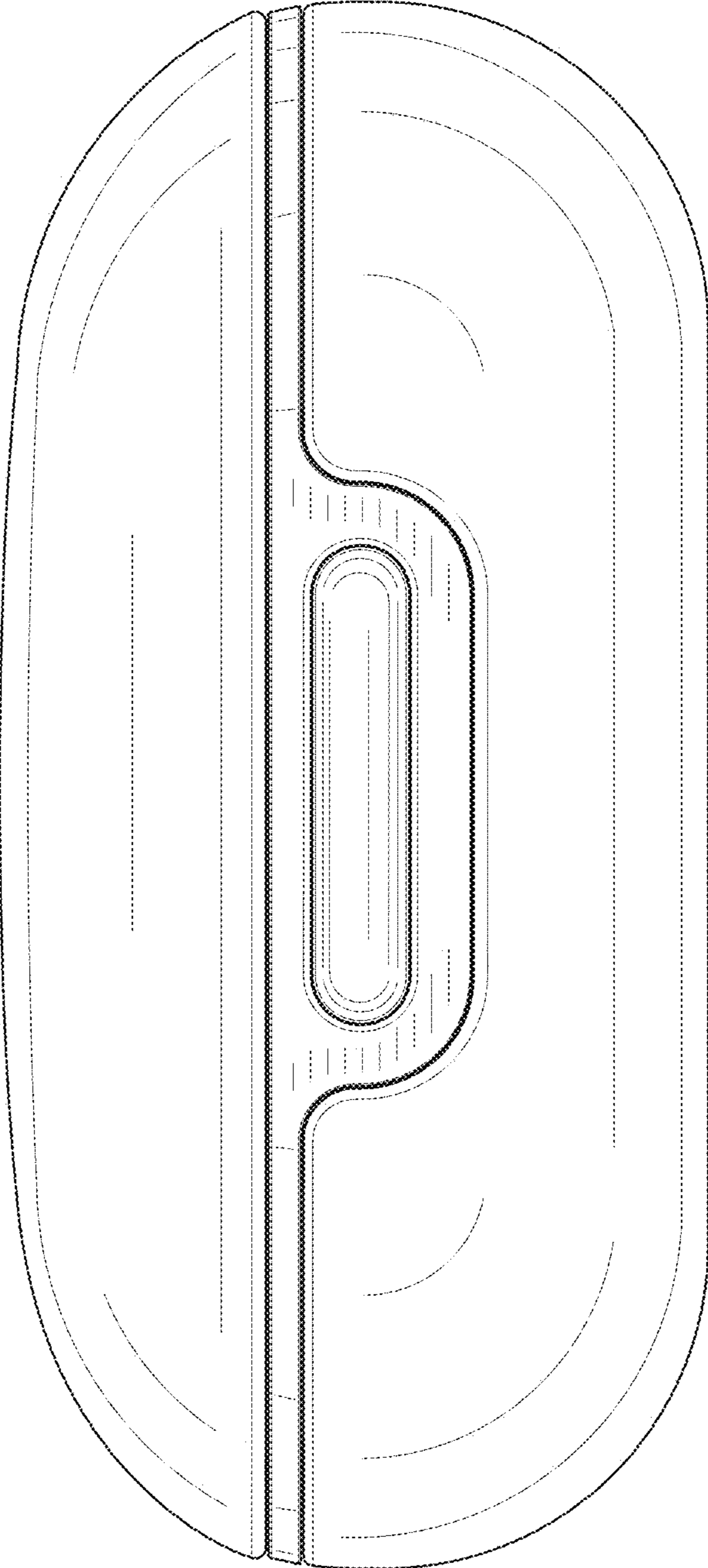


FIG. 6



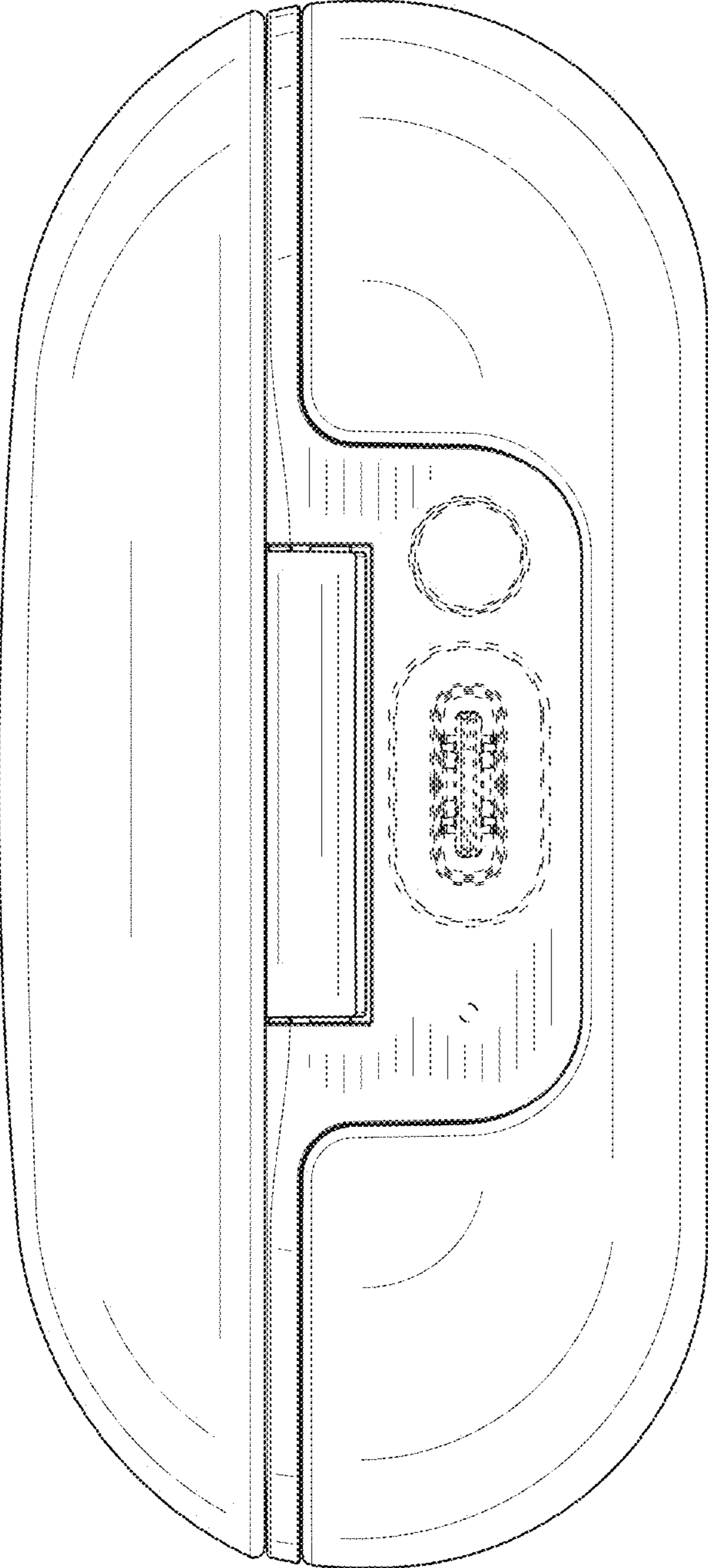


FIG. 7

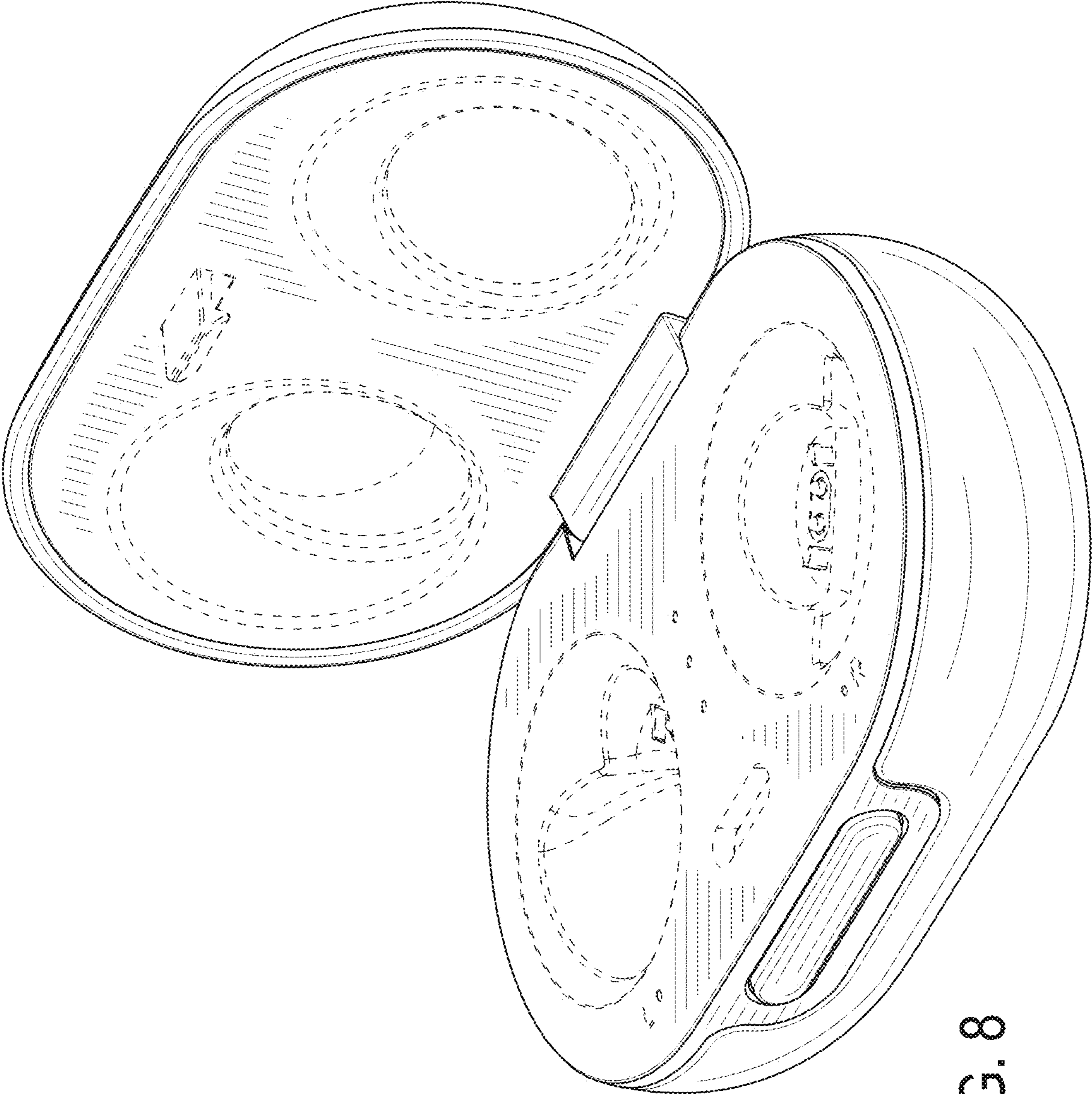


FIG. 8

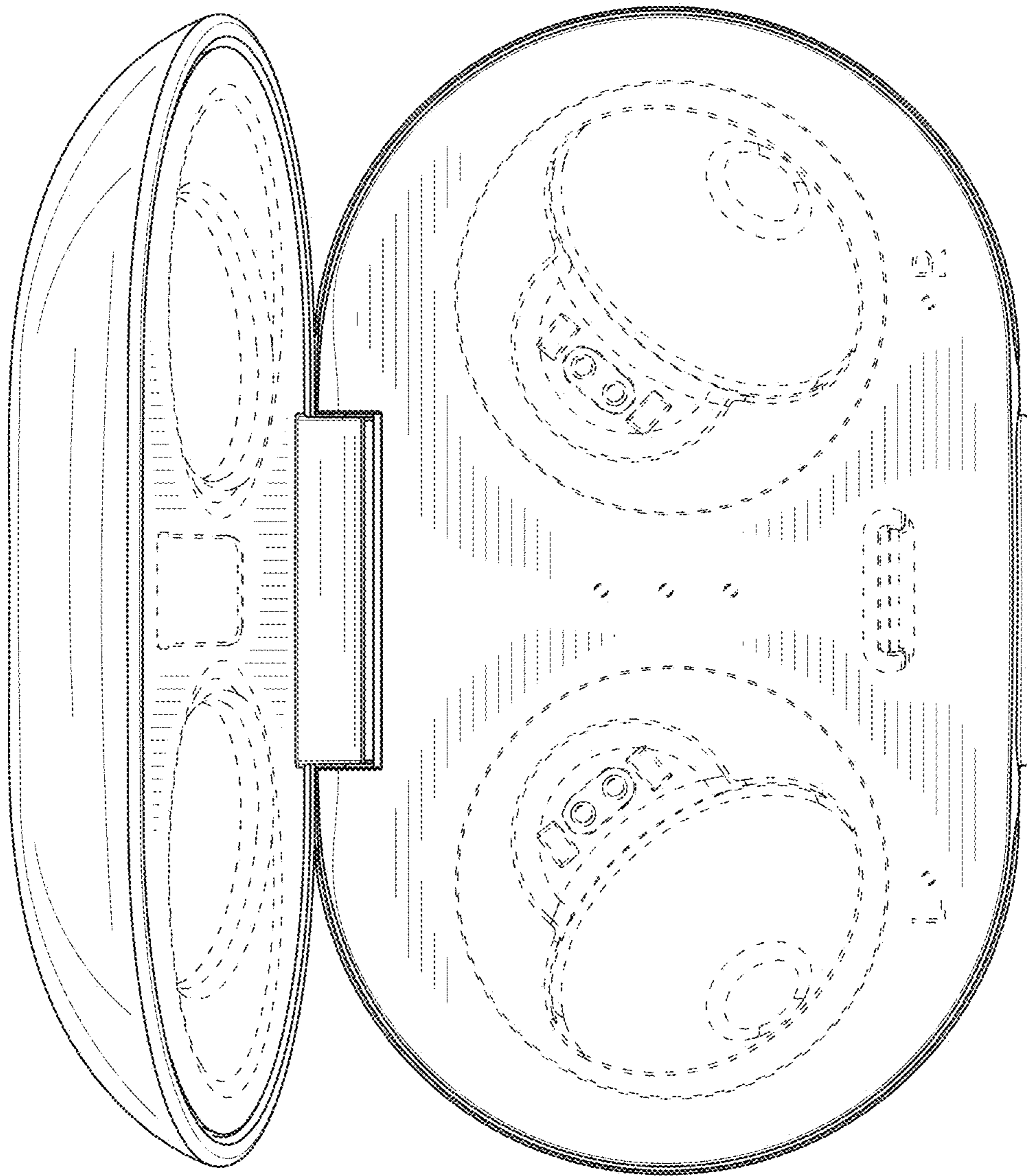


FIG. 9

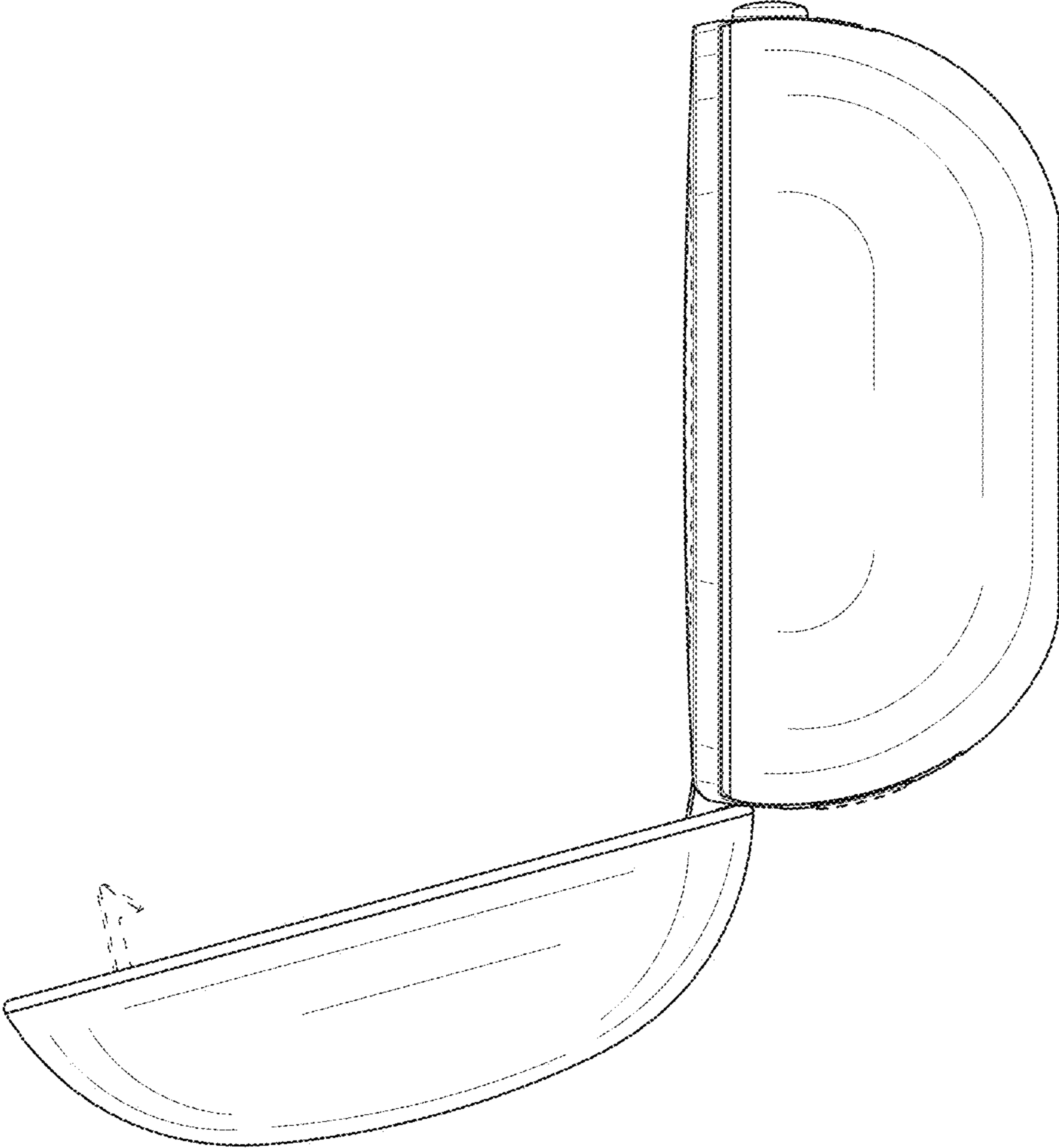


FIG. 10



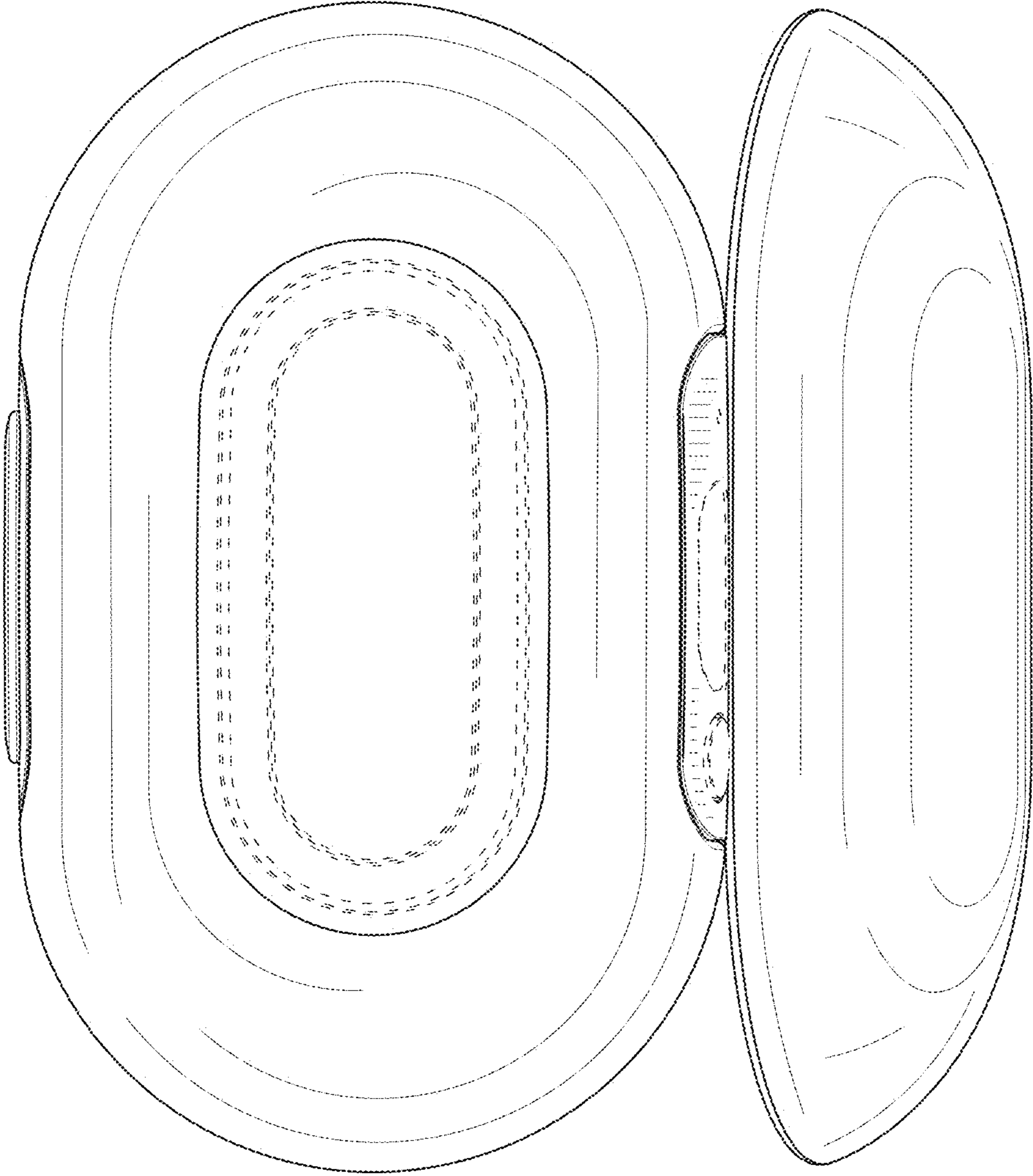


FIG. 11

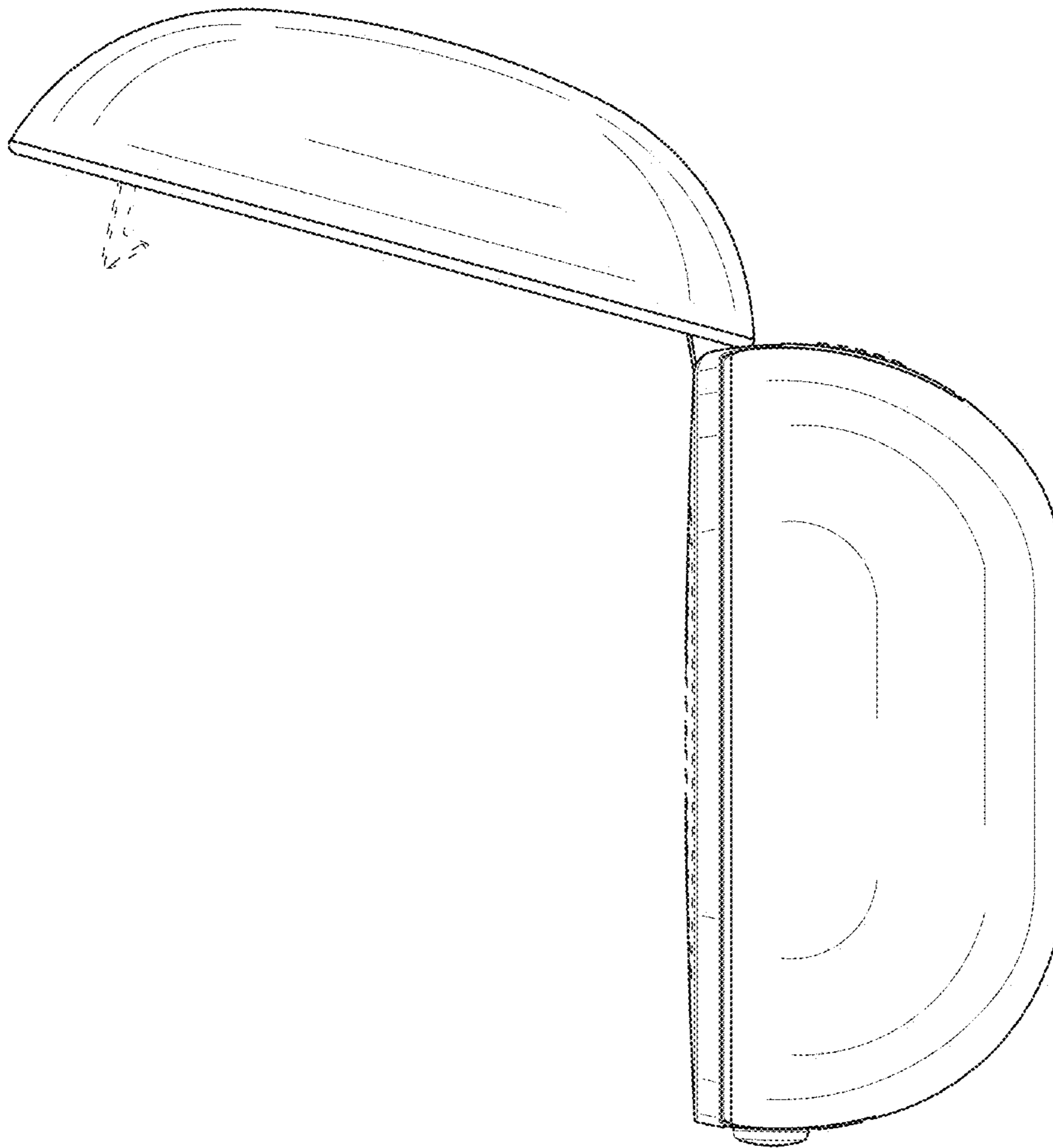


FIG. 12

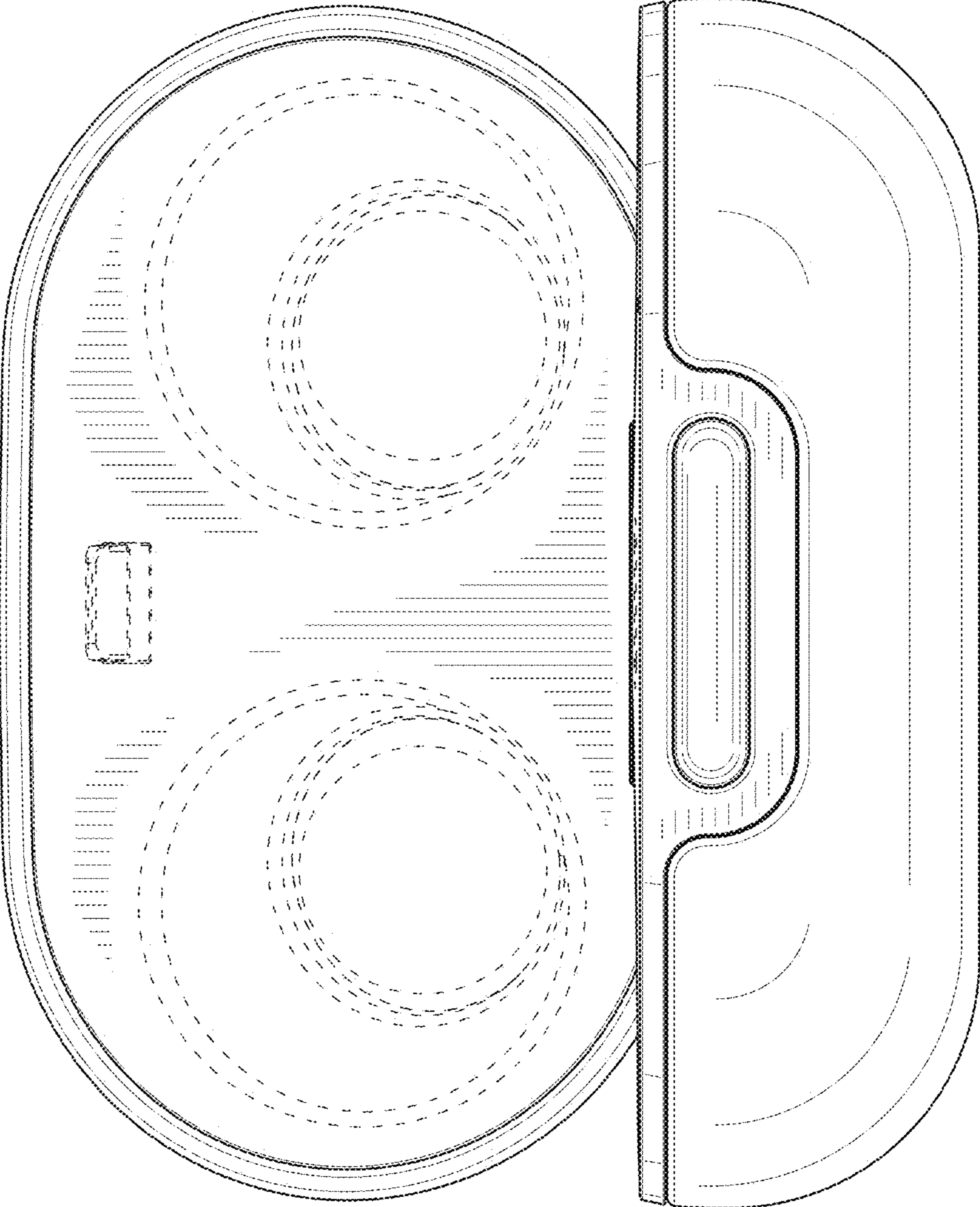


FIG. 13

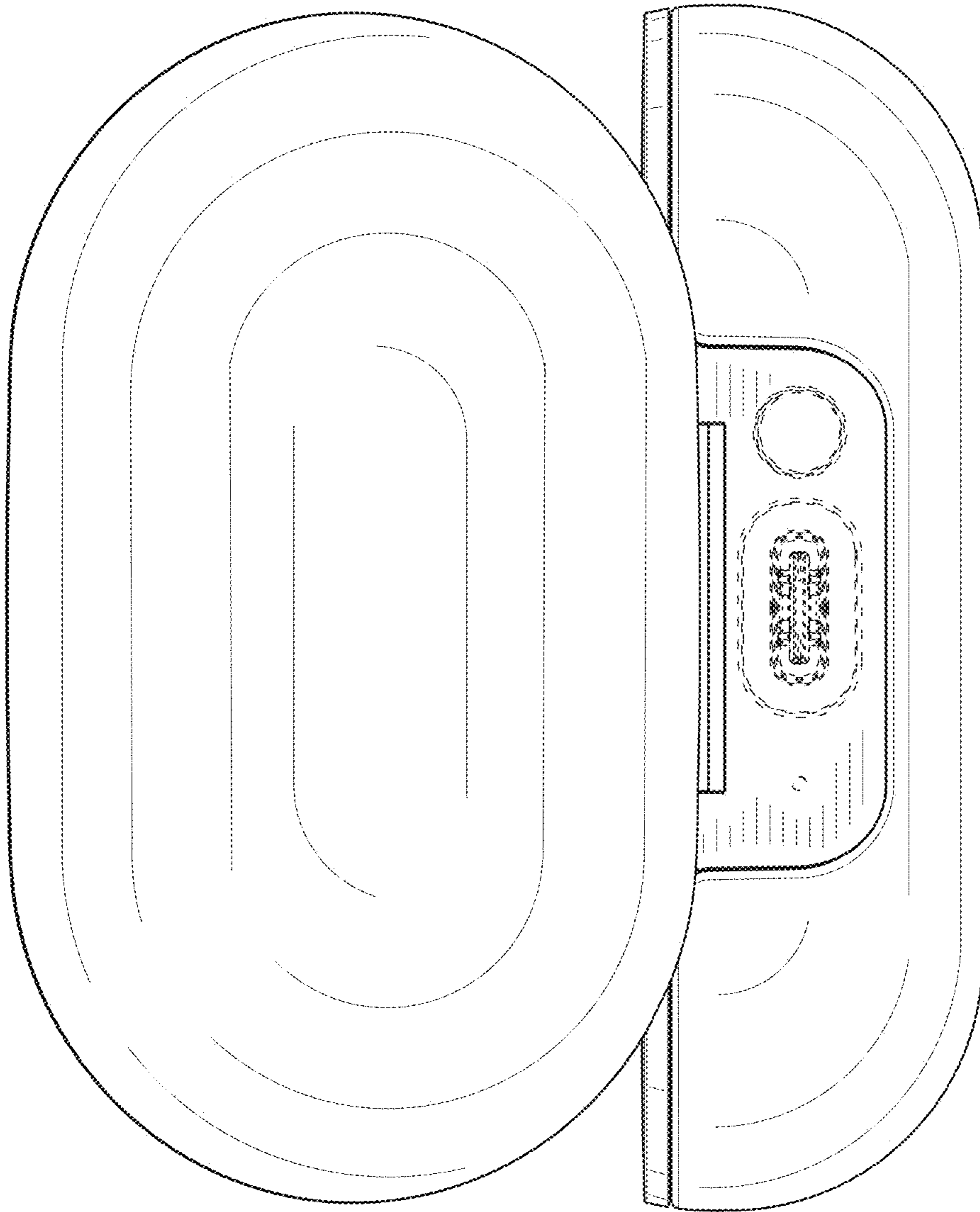


FIG. 14