



US00D932998S

(12) **United States Design Patent** (10) **Patent No.:** **US D932,998 S**
McPheeters (45) **Date of Patent:** **** Oct. 12, 2021**

(54) **SINGLE-AXIS SOLAR TRACKER BEARING SUPPORT**

(71) Applicant: **Ojjo, Inc.**, San Rafael, CA (US)

(72) Inventor: **Greg McPheeters**, Santa Cruz, CA (US)

(73) Assignee: **Ojjo, Inc.**, San Rafael, CA (US)

(**) Term: **15 Years**

(21) Appl. No.: **29/730,363**

(22) Filed: **Apr. 3, 2020**

(51) **LOC (13) Cl.** **13-02**

(52) **U.S. Cl.**
USPC **D13/102**

(58) **Field of Classification Search**
USPC D15/10, 22-26, 28, 29, 32; D13/102
CPC B62D 55/08; F16C 29/02; E02F 3/308
See application file for complete search history.

(56) **References Cited**

U.S. PATENT DOCUMENTS

D744,417 S * 12/2015 Au D13/102
D905,626 S * 12/2020 Delgado-Nanez D13/102
10,903,784 B2 * 1/2021 Hudson H02S 20/32

D909,955 S * 2/2021 Au D13/102
2013/0206712 A1 * 8/2013 Magalhaes H01L 31/0547
211/41.1
2021/0018225 A1 * 1/2021 Hudson F24S 50/20

* cited by examiner

Primary Examiner — Mark A Goodwin
Assistant Examiner — Benjamin M Weeks
(74) *Attorney, Agent, or Firm* — Phillip D. Mancini

(57) **CLAIM**

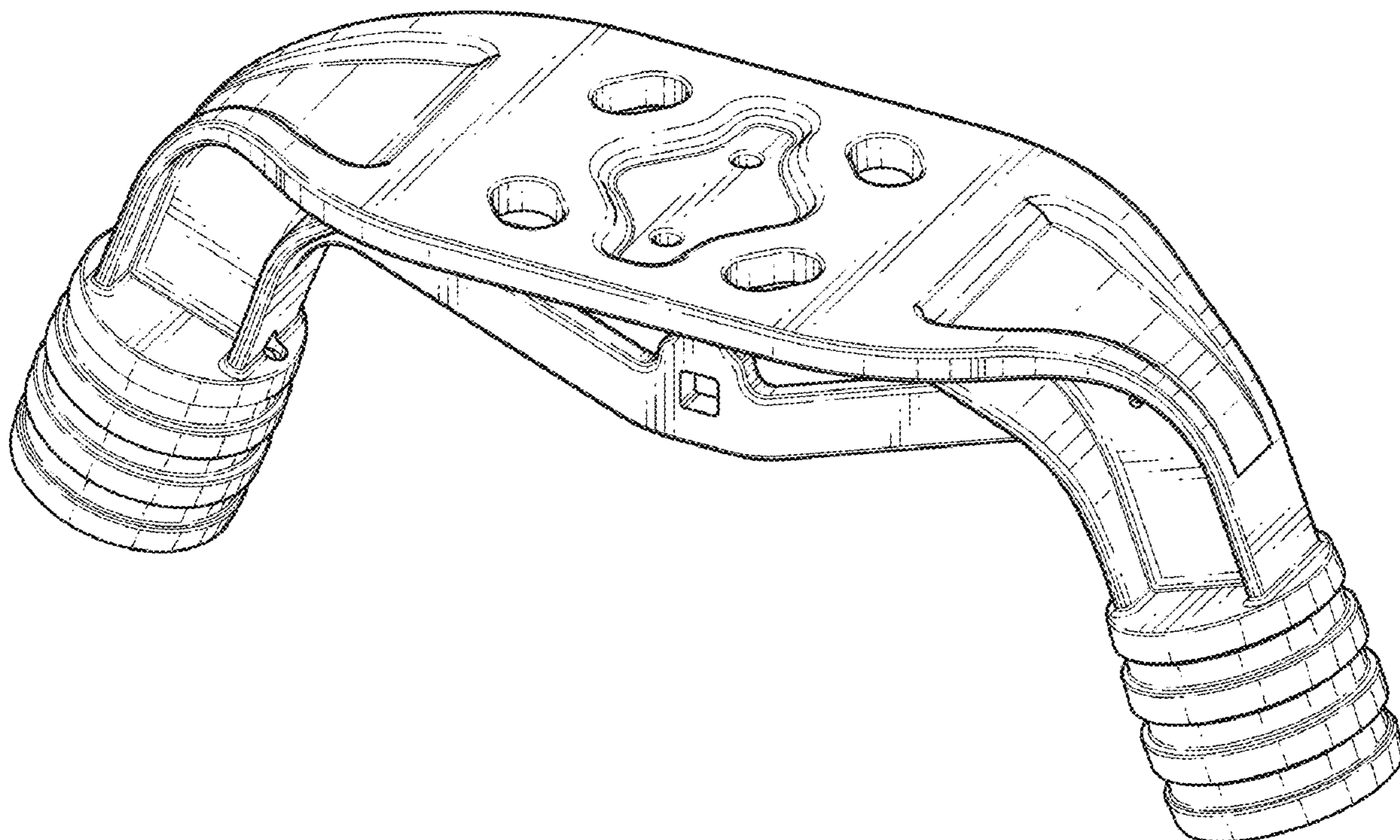
The ornamental design for a single-axis solar tracker bearing support, substantially as shown and described.

DESCRIPTION

FIG. 1 is a top left perspective view of a single-axis solar tracker bearing support showing the claimed design; FIG. 2 is a top right perspective view thereof; FIG. 3 is a front view thereof; FIG. 4 is a rear view thereof; FIG. 5 is a top view thereof; FIG. 6 is a bottom view thereof; FIG. 7 is a left view thereof; and, FIG. 8 is a right view thereof.

Portions of the single-axis solar tracker bearing support that are not shown form no part of the claimed design. The dashed lines in the figures show portions of the single-axis solar tracker bearing support that form no part of the claimed design.

1 Claim, 4 Drawing Sheets



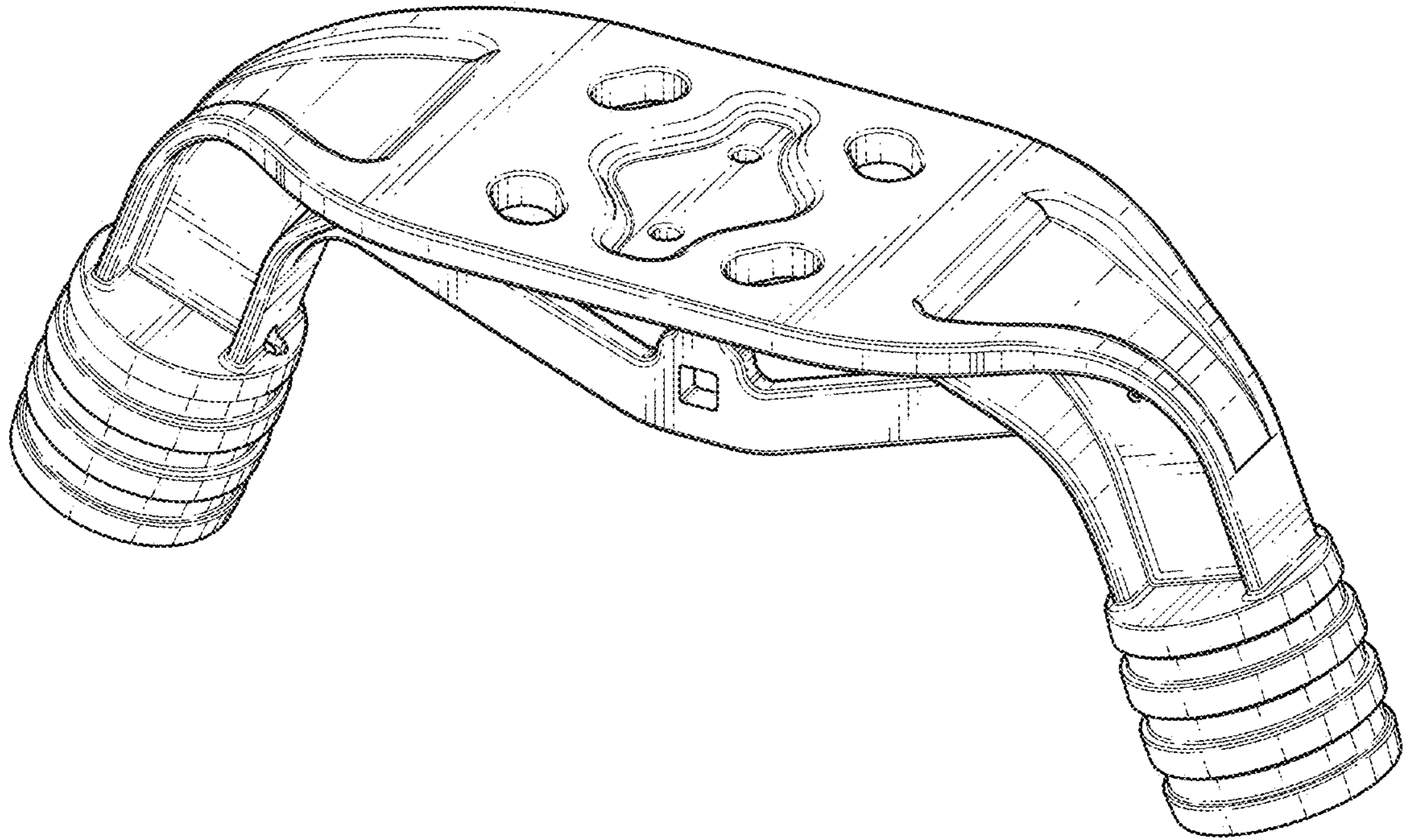


FIG. 1

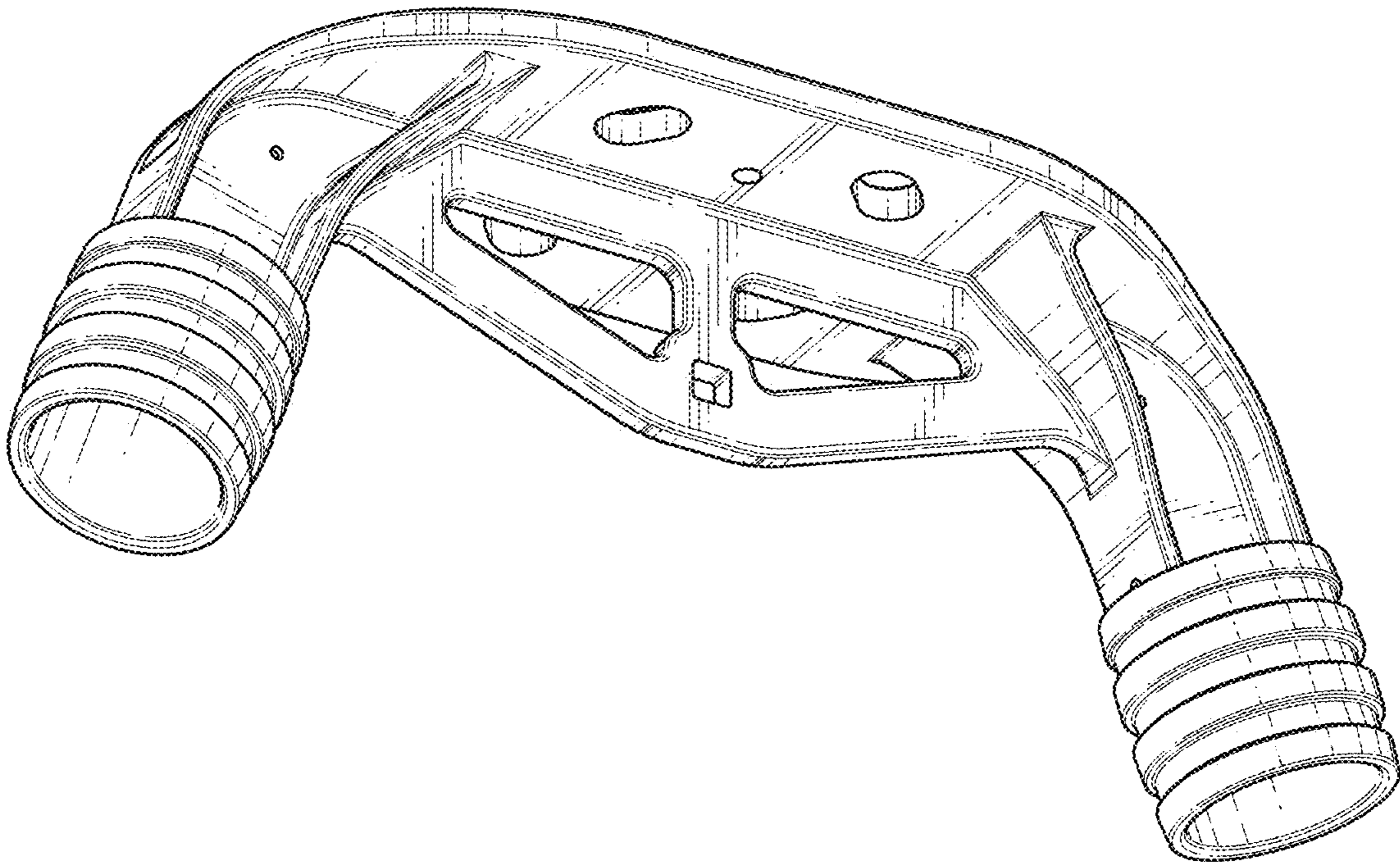


FIG. 2

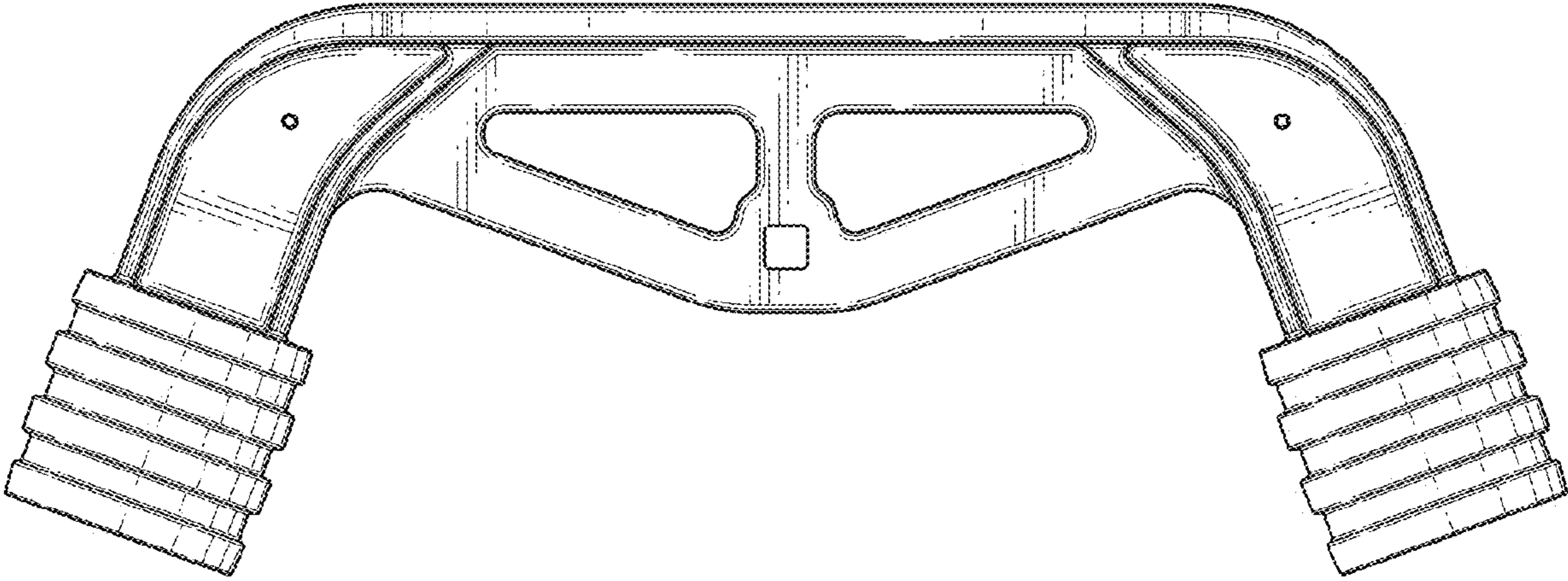


FIG. 3

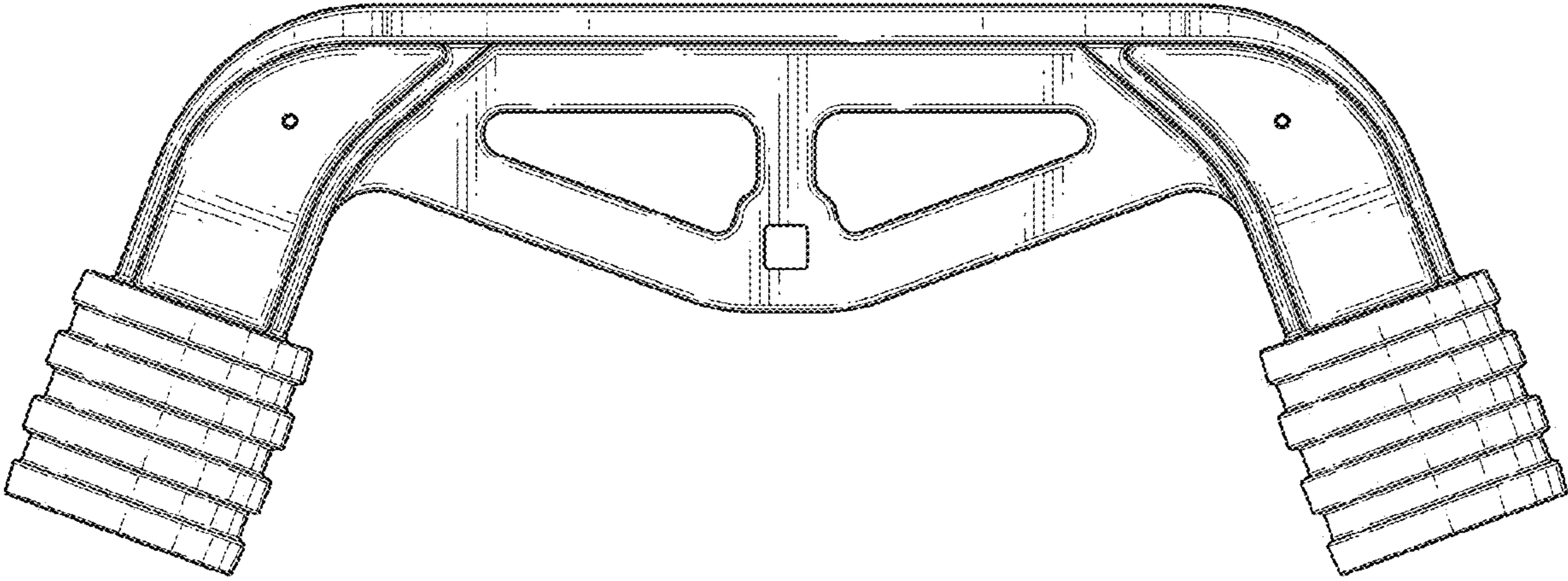


FIG. 4

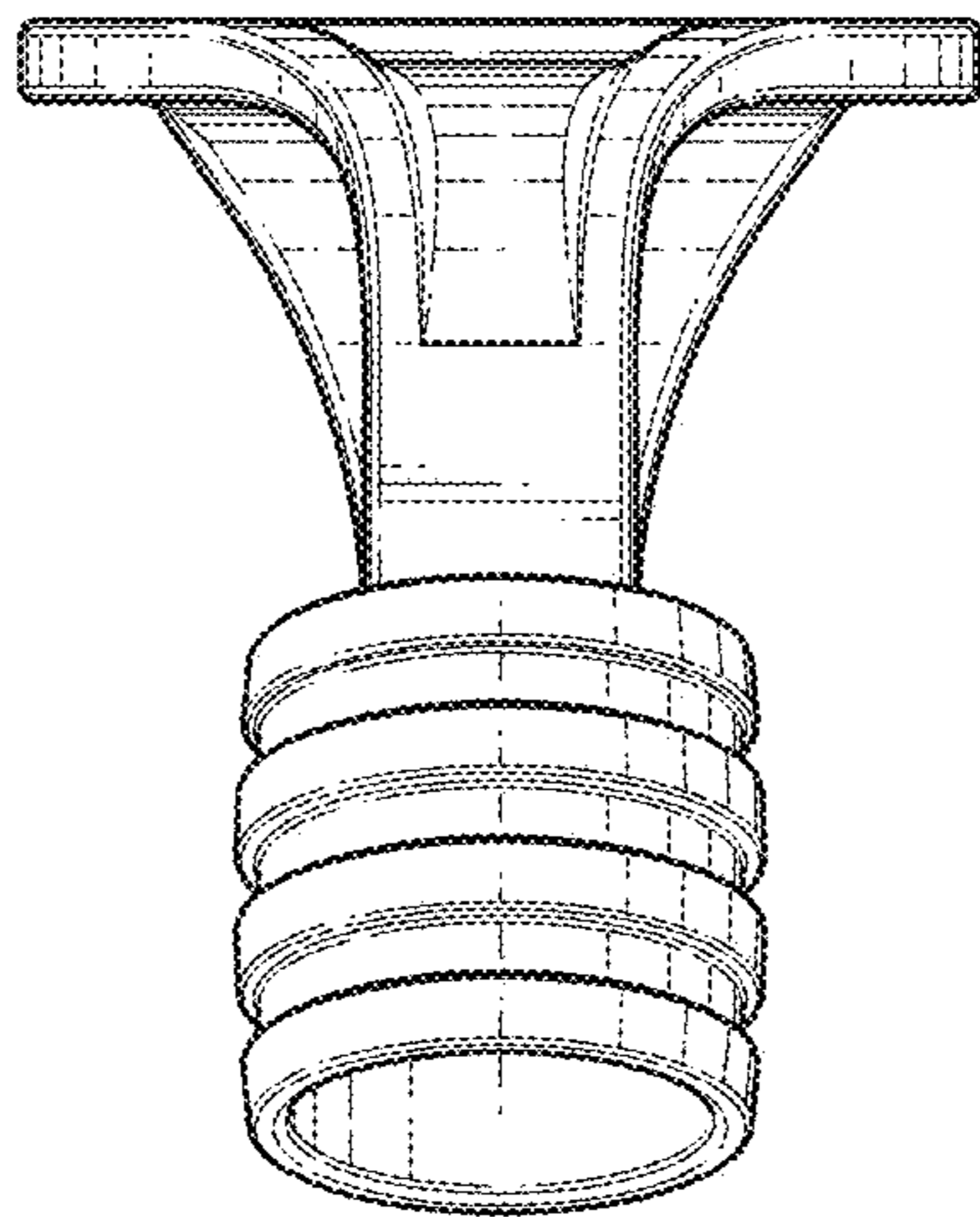


FIG. 5

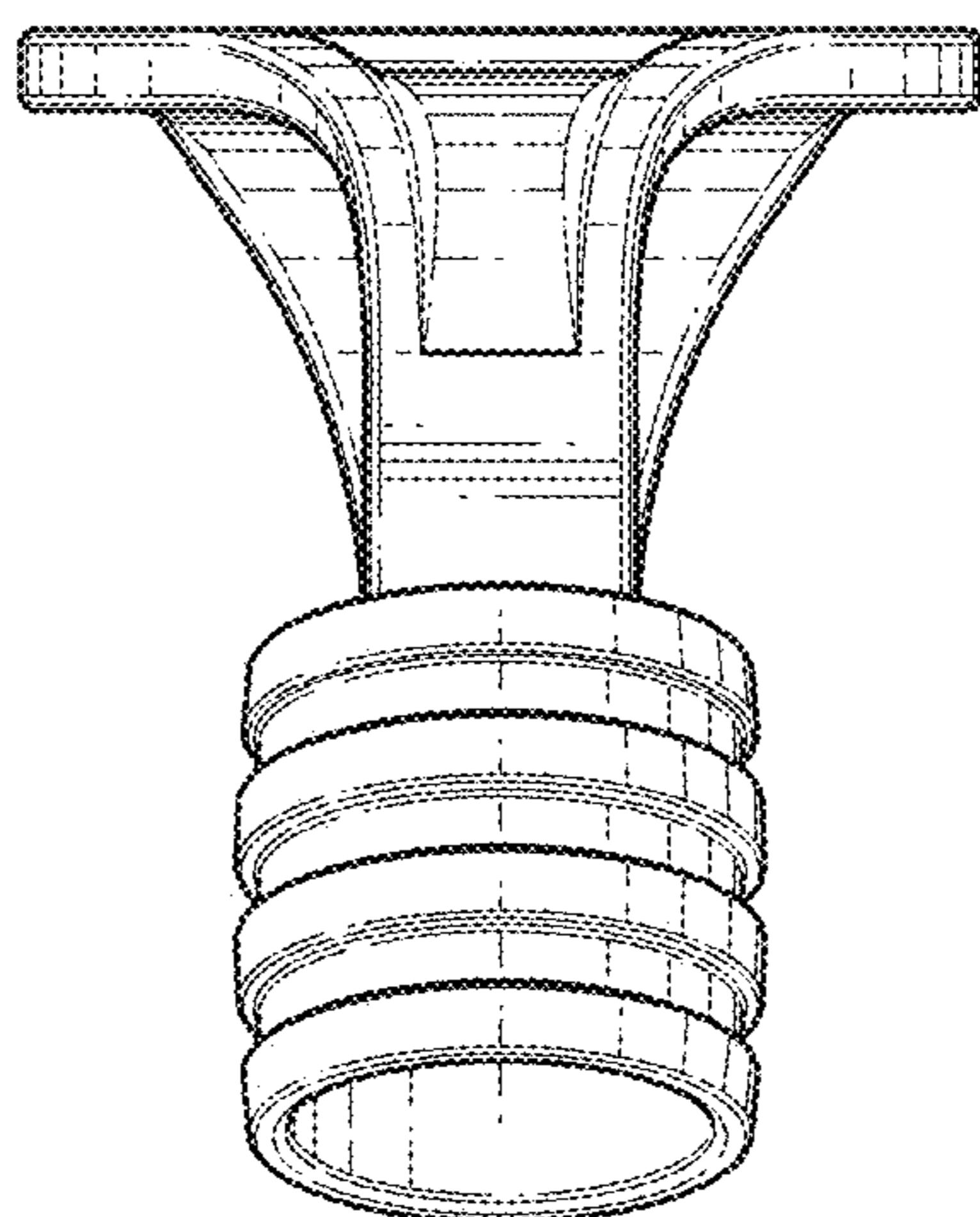


FIG. 6

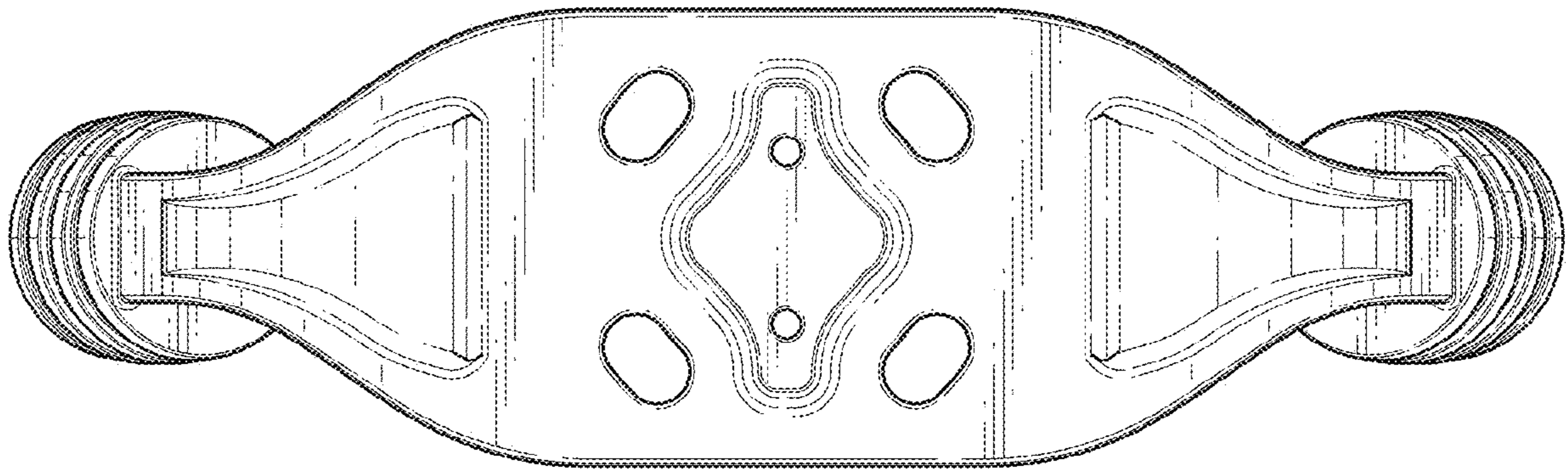


FIG. 7

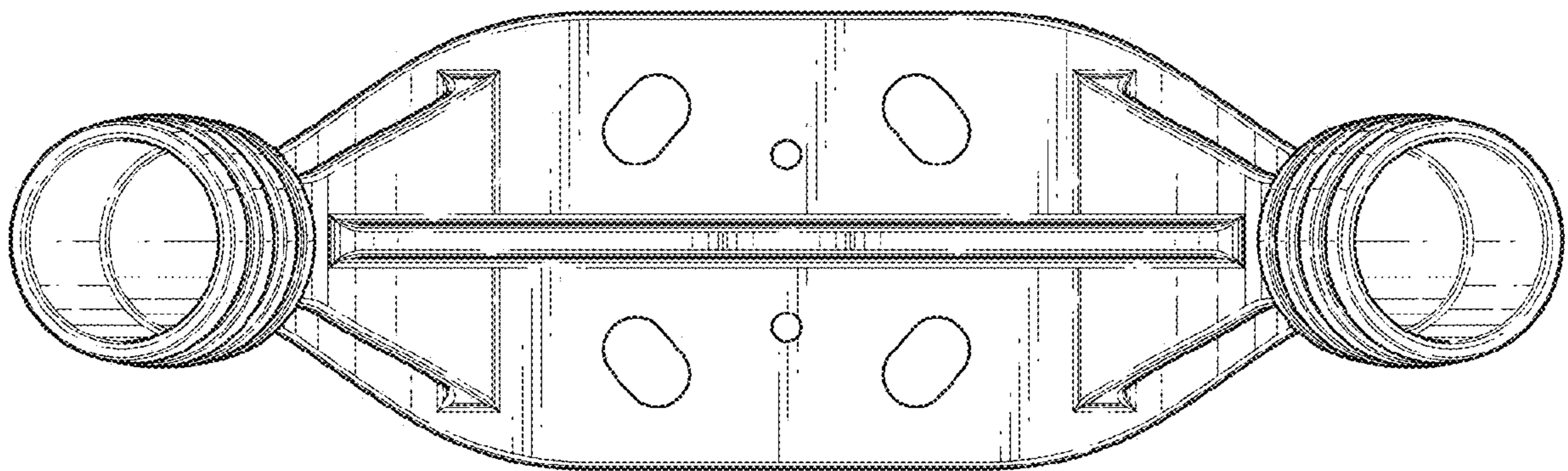


FIG. 8