



US00D932997S

(12) **United States Design Patent**
McPheeters

(10) **Patent No.:** **US D932,997 S**

(45) **Date of Patent:** **** Oct. 12, 2021**

(54) **SINGLE-AXIS SOLAR TRACKER BEARING SUPPORT**

(71) Applicant: **Ojjo, Inc.**, San Rafael, CA (US)

(72) Inventor: **Greg McPheeters**, Santa Cruz, CA (US)

(73) Assignee: **Ojjo, Inc.**, San Rafael, CA (US)

(**) Term: **15 Years**

(21) Appl. No.: **29/730,359**

(22) Filed: **Apr. 3, 2020**

(51) **LOC (13) Cl.** **13-02**

(52) **U.S. Cl.**
USPC **D13/102**

(58) **Field of Classification Search**
USPC D15/10, 22-26, 28, 29, 32; D13/102
CPC B62D 55/08; F16C 29/02; E02F 3/308
See application file for complete search history.

(56) **References Cited**

U.S. PATENT DOCUMENTS

D744,417 S *	12/2015	Au	D13/102
D905,626 S *	12/2020	Delgado-Nanez	D13/102
10,903,784 B2 *	1/2021	Hudson	H02S 20/32
D909,955 S *	2/2021	Au	D13/102
2013/0206712 A1 *	8/2013	Magalhaes	H01L 31/0547
				211/41.1
2021/0018225 A1 *	1/2021	Hudson	F24S 50/20

* cited by examiner

Primary Examiner — Mark A Goodwin

Assistant Examiner — Benjamin M Weeks

(74) *Attorney, Agent, or Firm* — Phillip D. Mancini

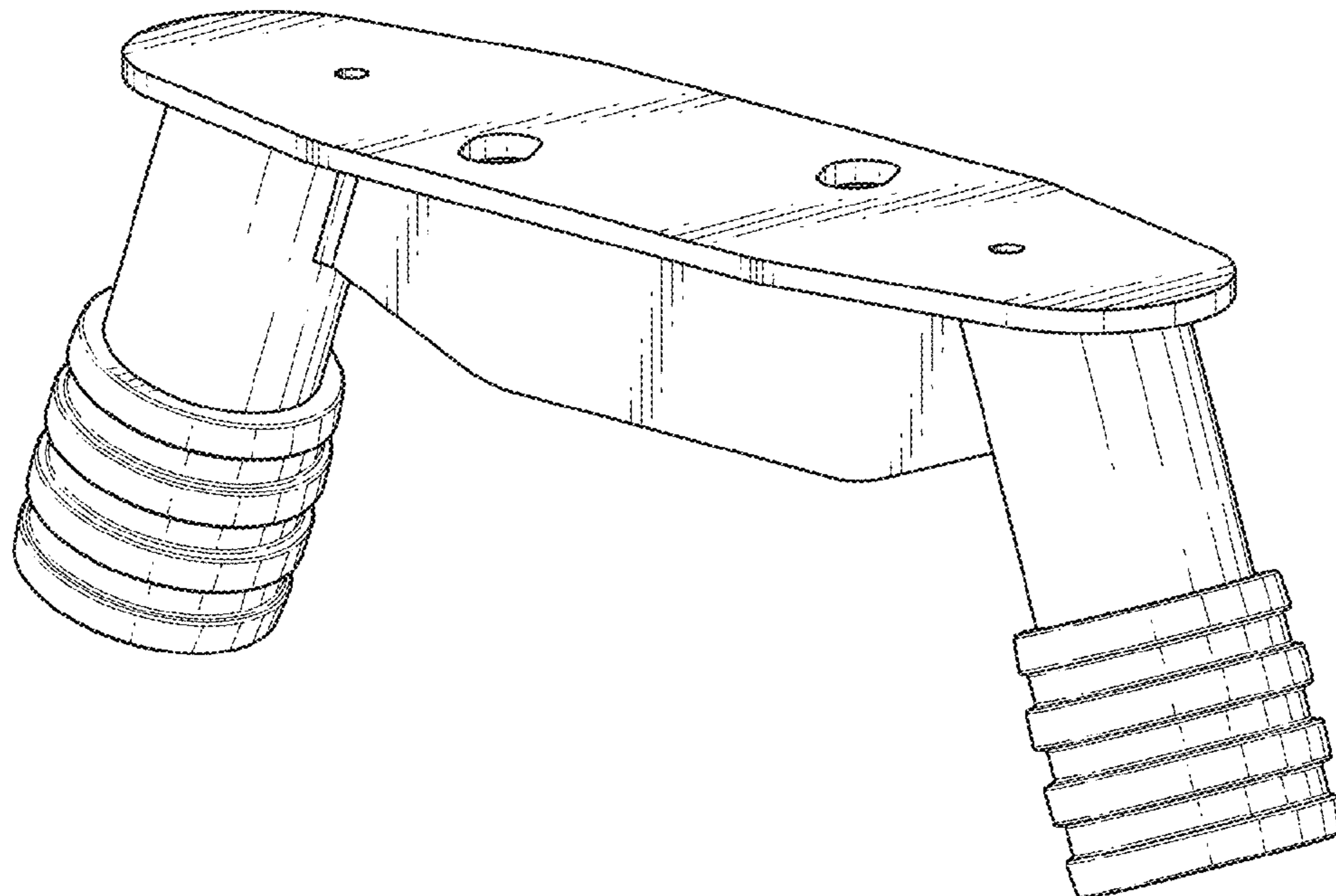
(57) **CLAIM**

The ornamental design for a single-axis solar tracker bearing support, substantially as shown and described.

DESCRIPTION

FIG. 1 is a top left perspective view of a single-axis solar tracker bearing support showing the claimed design; FIG. 2 is a top right perspective view thereof; FIG. 3 is a front view thereof; FIG. 4 is a rear view thereof; FIG. 5 is a top view thereof; FIG. 6 is a bottom view thereof; FIG. 7 is a left view thereof; FIG. 8 is a right view thereof; FIG. 9 is a top left perspective view of a single-axis solar tracker bearing support showing the claimed design; FIG. 10 is a top right perspective view thereof; FIG. 11 is a front view thereof; FIG. 12 is a rear view thereof; FIG. 13 is a top view thereof; FIG. 14 is a bottom view thereof; FIG. 15 is a left view thereof; and FIG. 16 is a right view thereof. FIG. 17 is a top left perspective view of a single-axis solar tracker bearing support showing the claimed design; FIG. 18 is a top right perspective view thereof; FIG. 19 is a front view thereof; FIG. 20 is a rear view thereof; FIG. 21 is a top view thereof; FIG. 22 is a bottom view thereof; FIG. 23 is a left view thereof; and, FIG. 24 is a right view thereof. Portions of the single-axis solar tracker bearing support that are not shown form no part of the claimed design. The dashed lines in the figures show portions of the single-axis solar tracker bearing support that form no part of the claimed design.

1 Claim, 12 Drawing Sheets



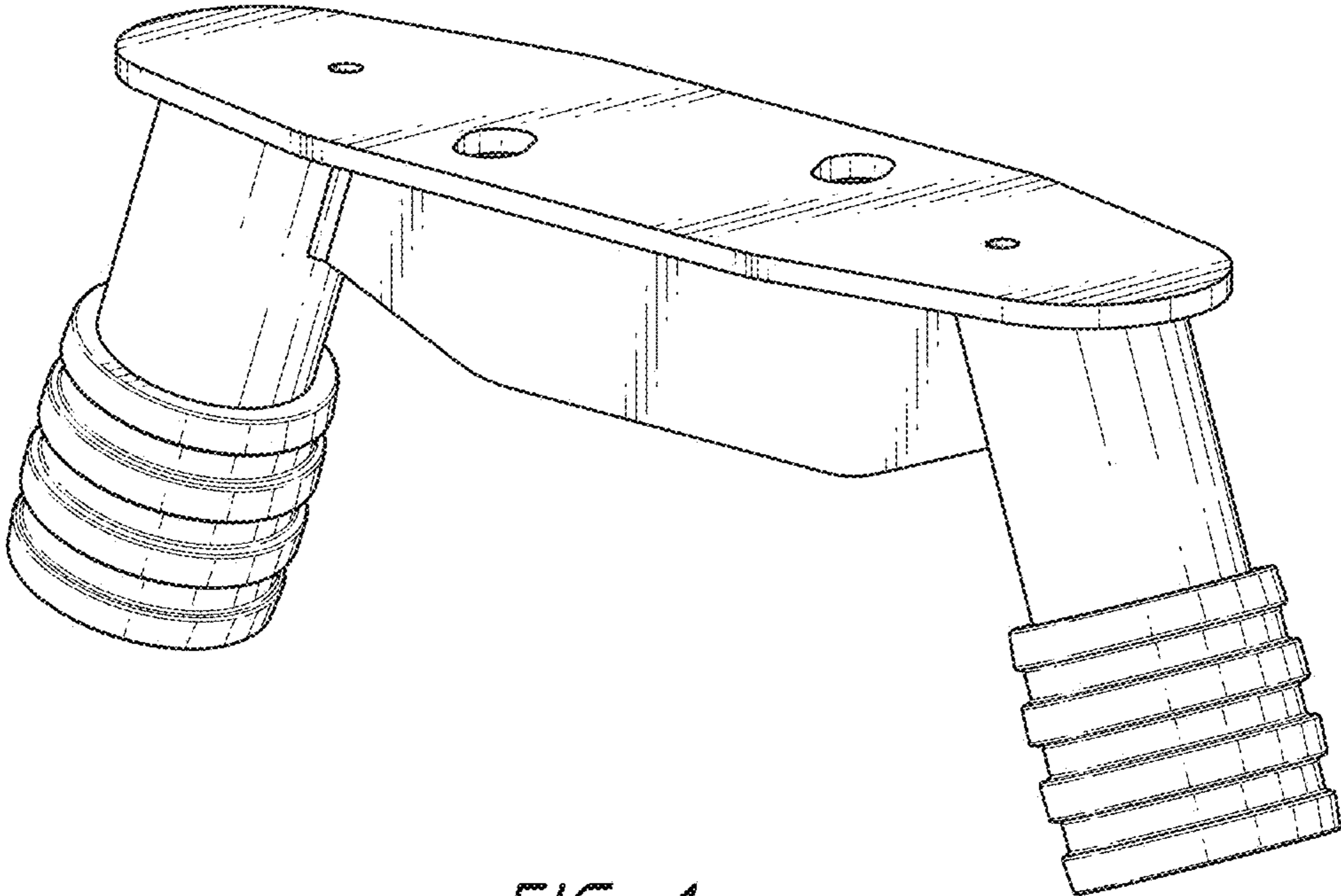


FIG. 1

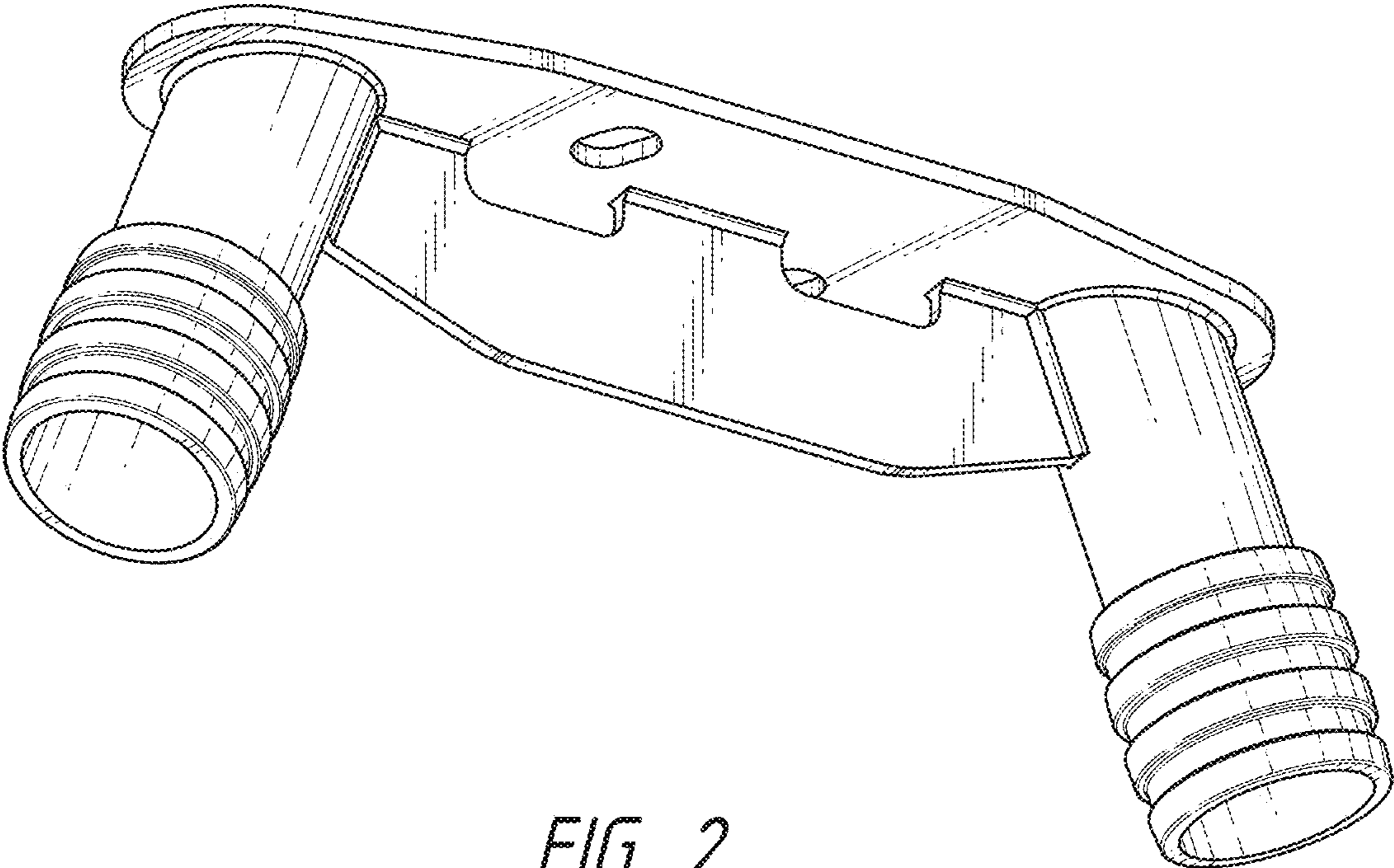


FIG. 2

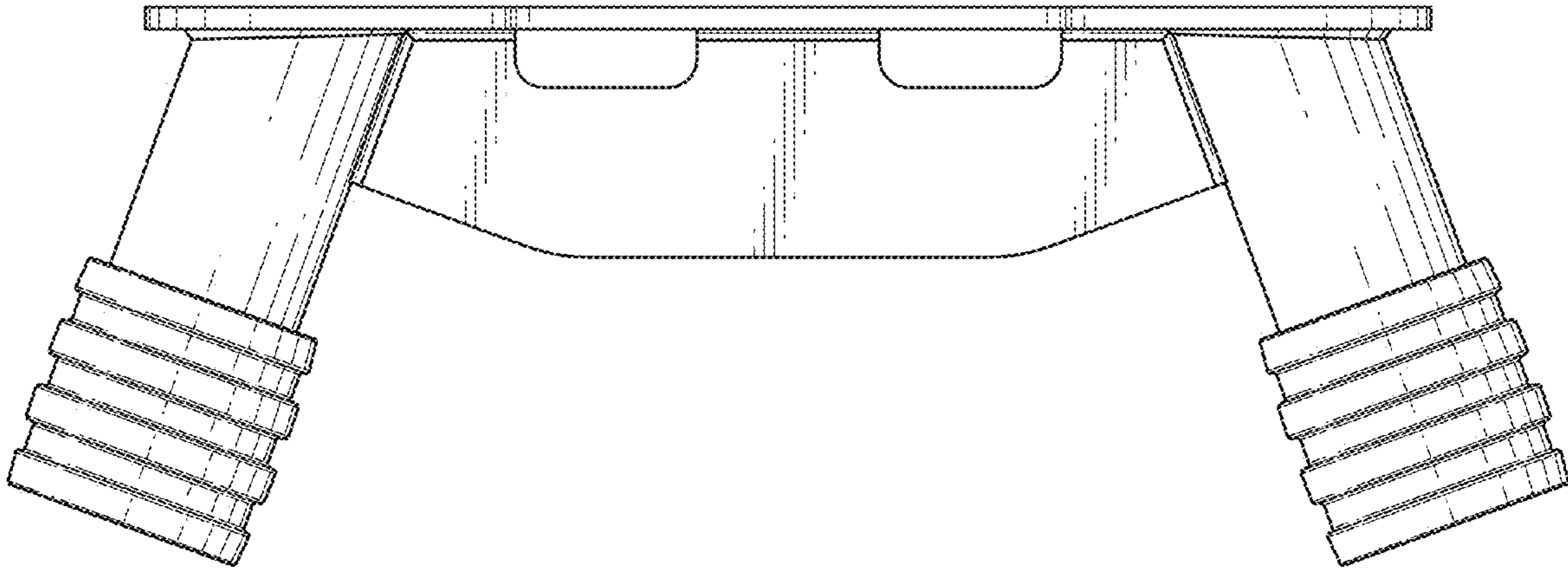


FIG. 3

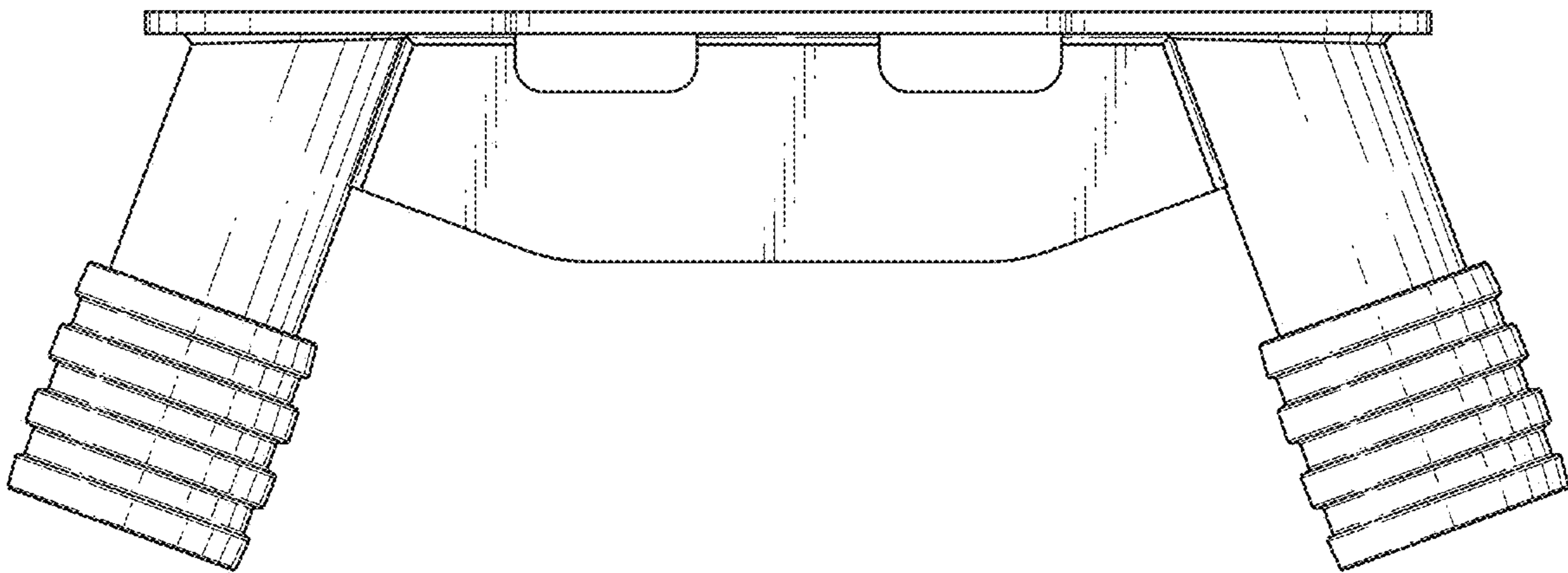


FIG. 4

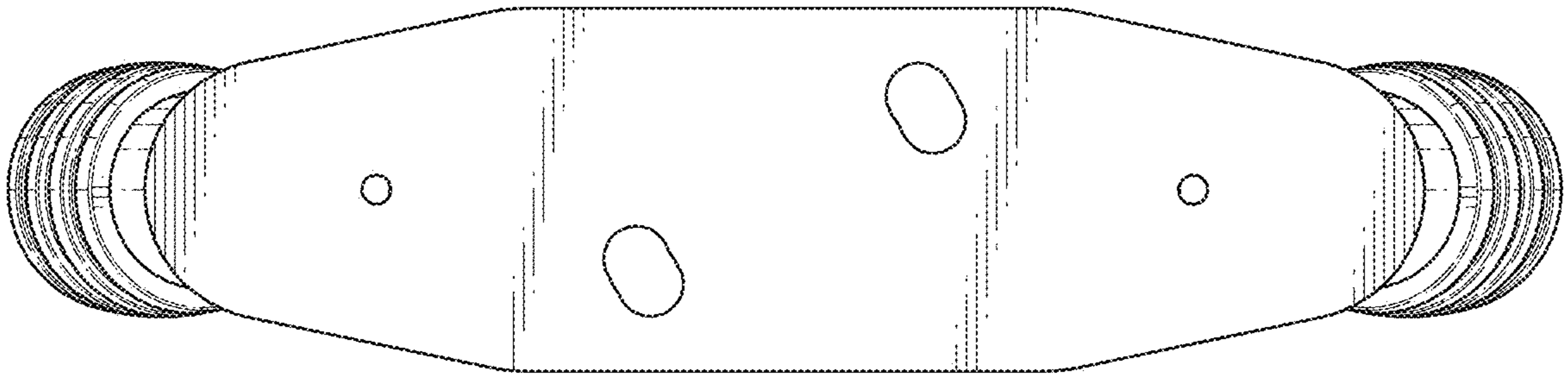


FIG. 5

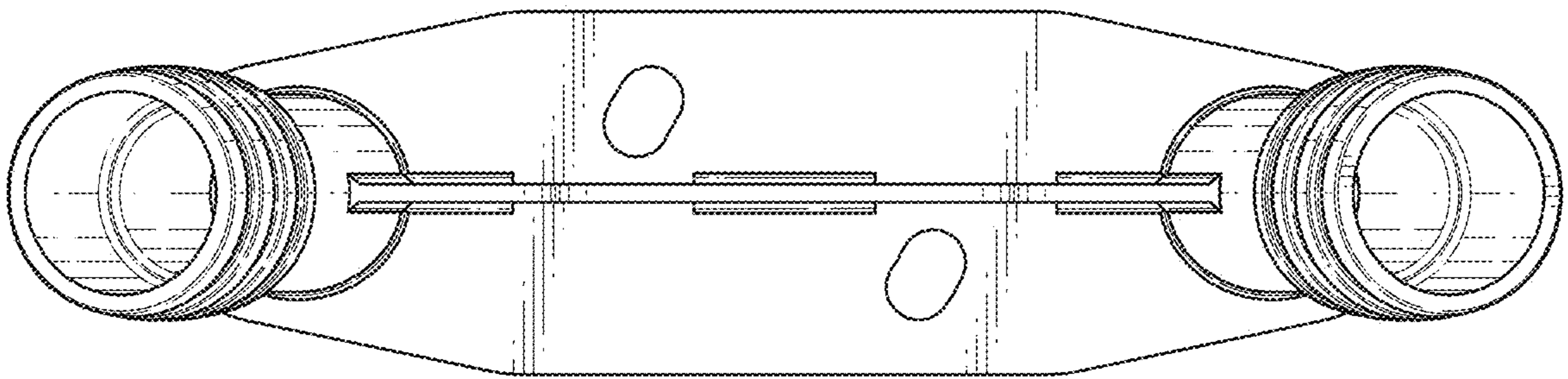


FIG. 6

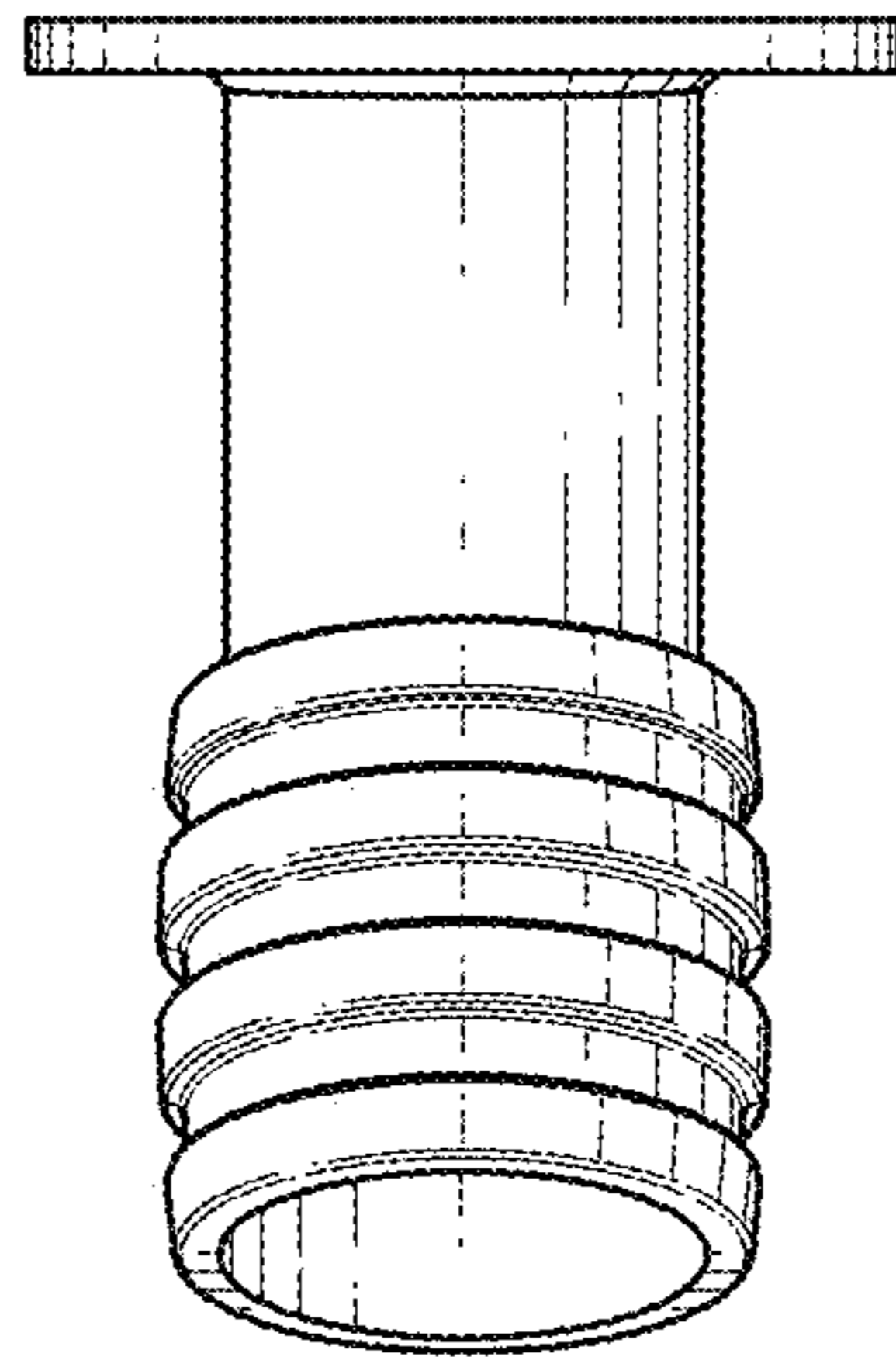


FIG. 7

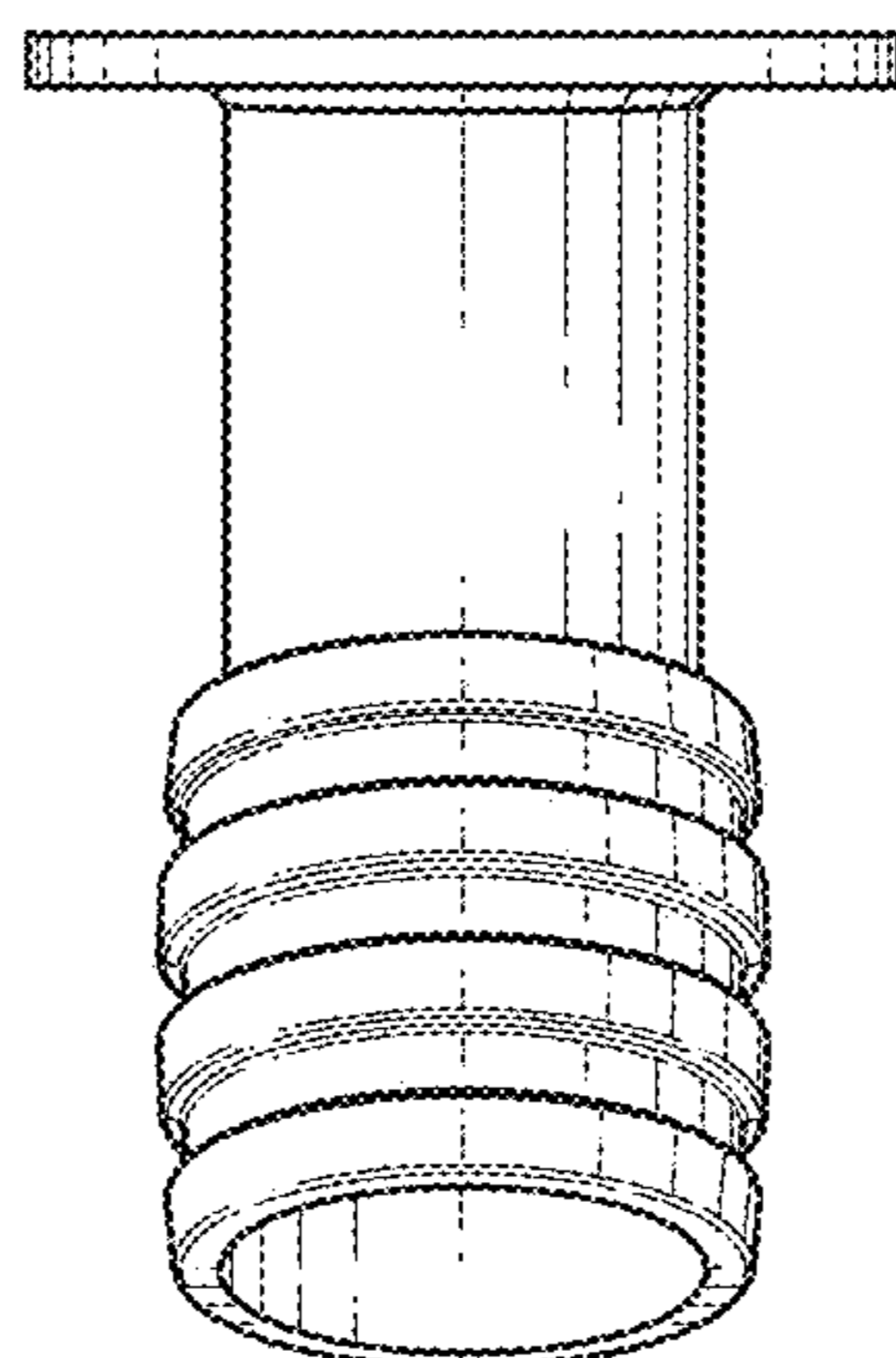


FIG. 8

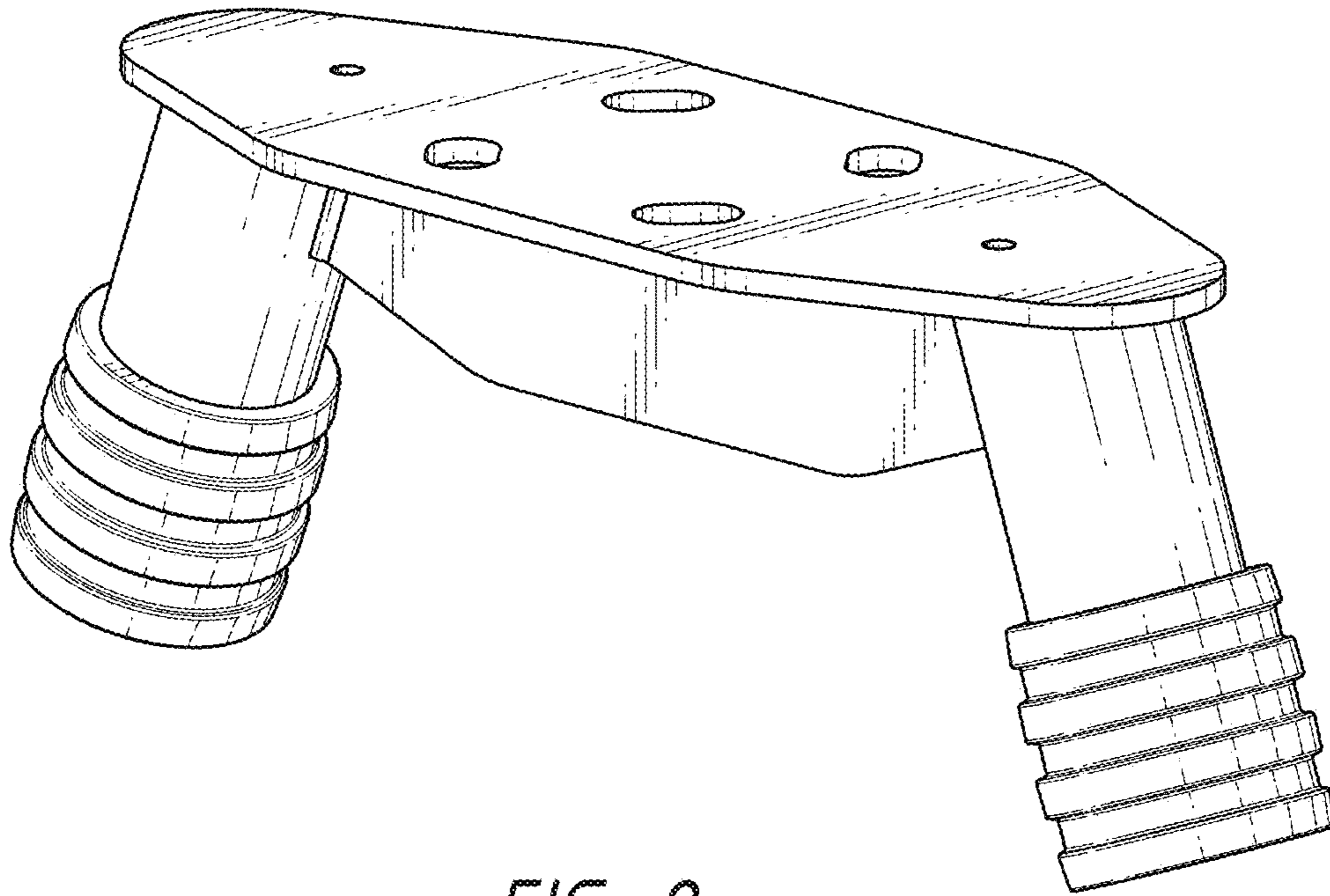


FIG. 9

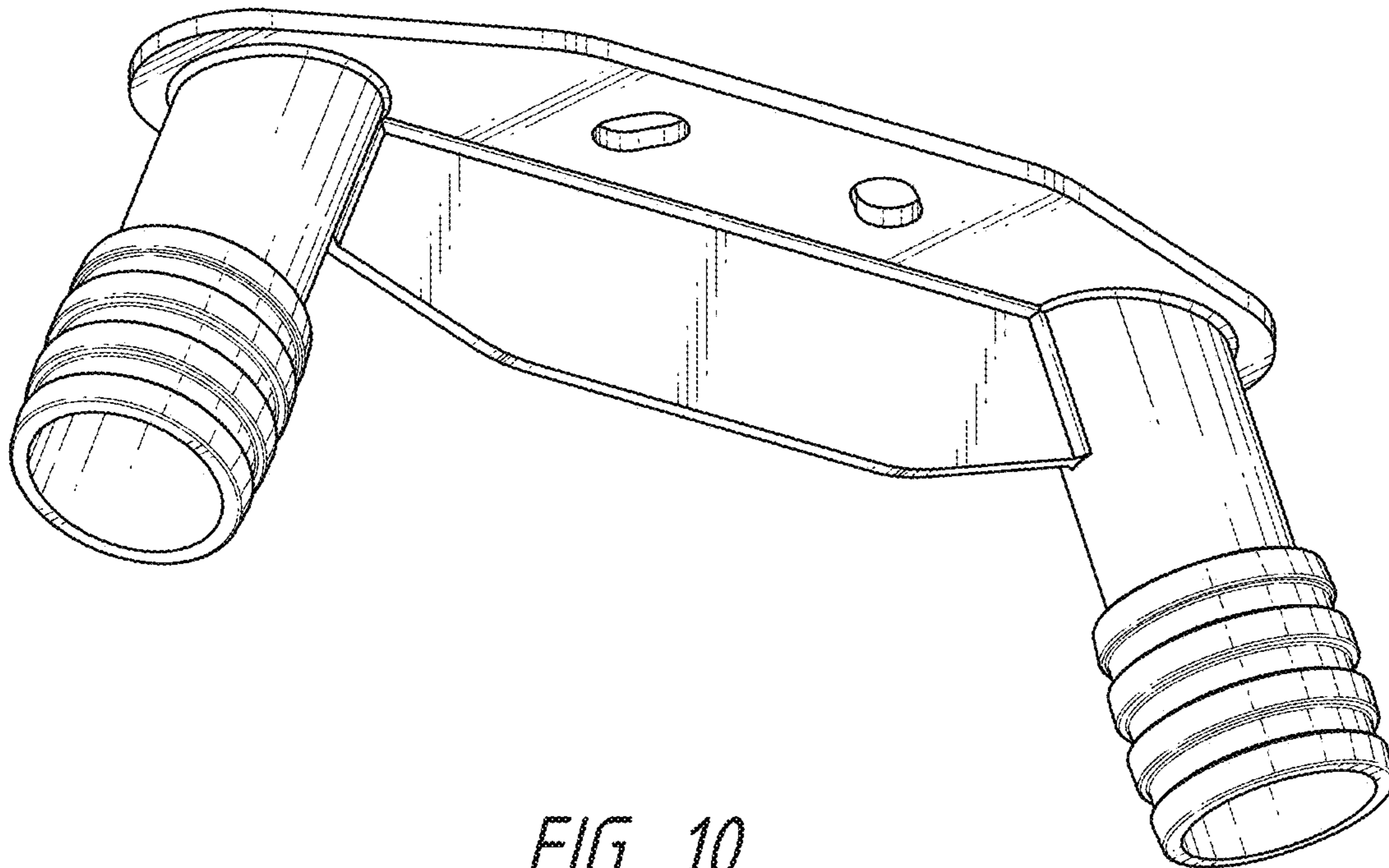


FIG. 10

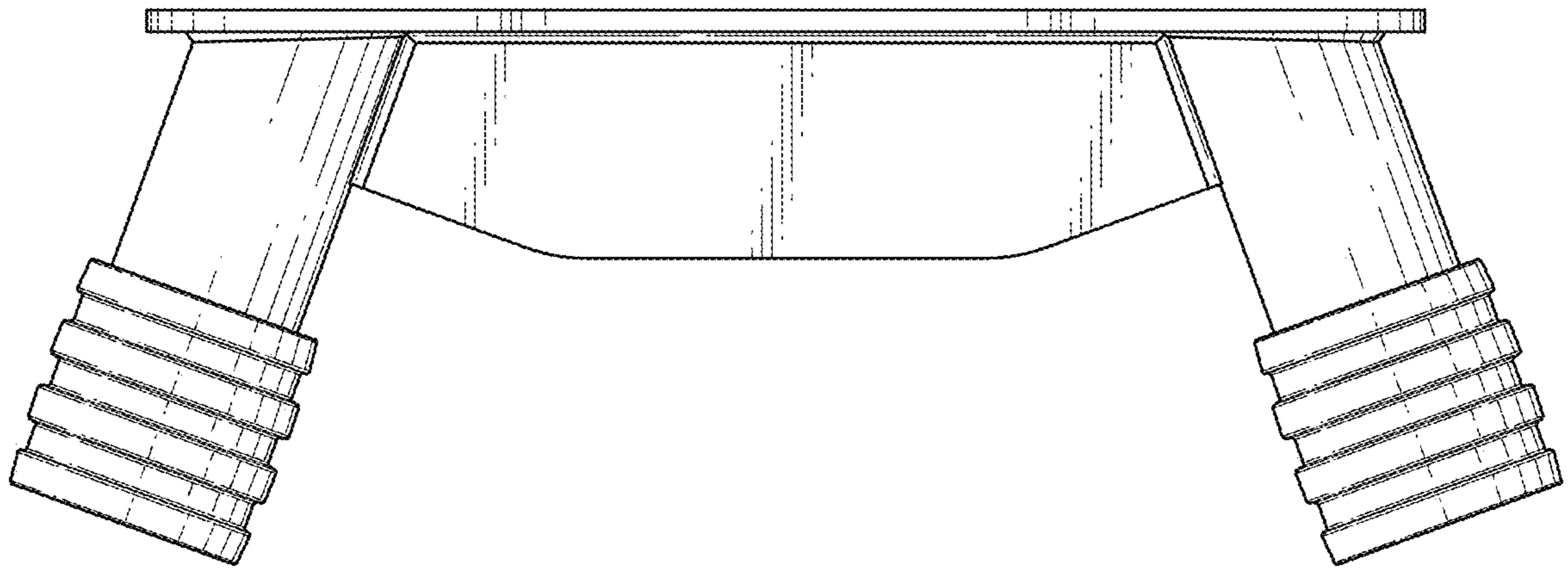


FIG. 11

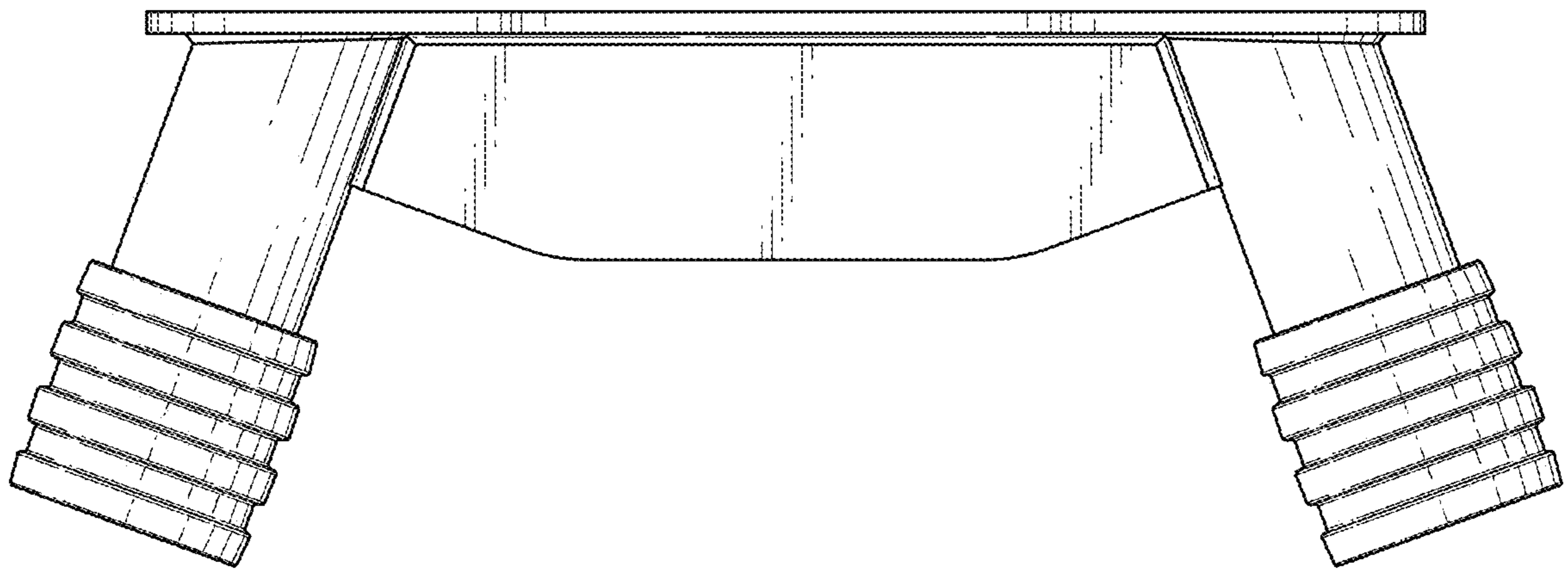


FIG. 12

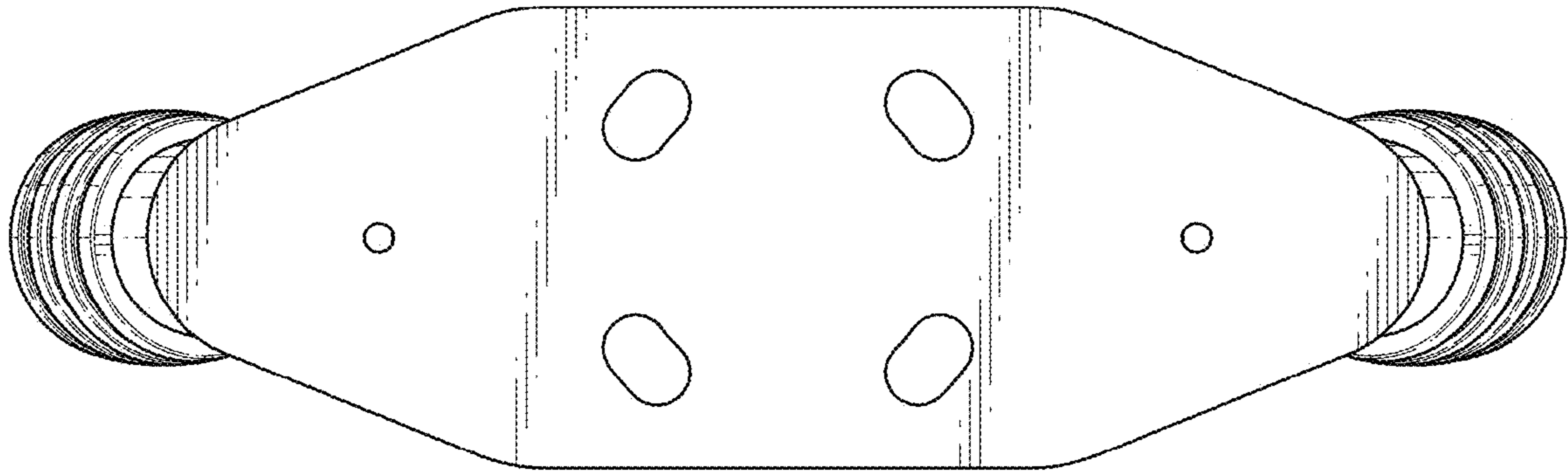


FIG. 13

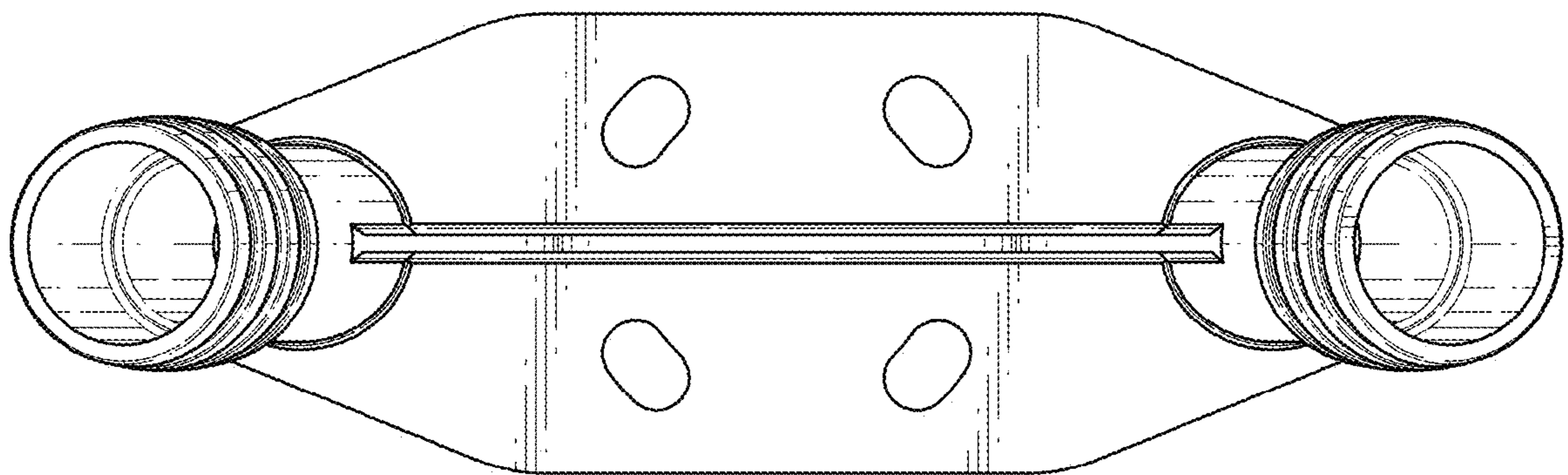


FIG. 14

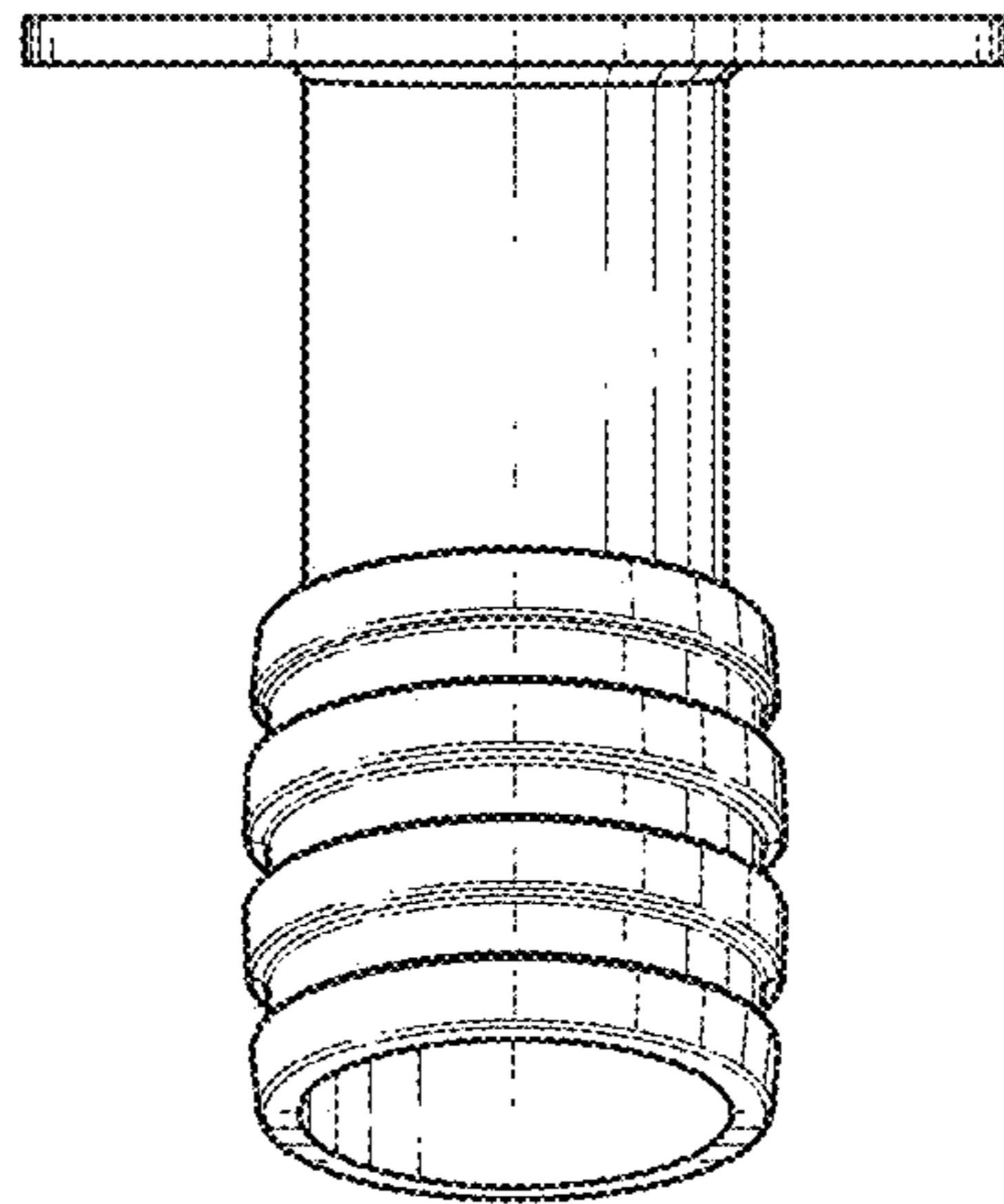


FIG. 15

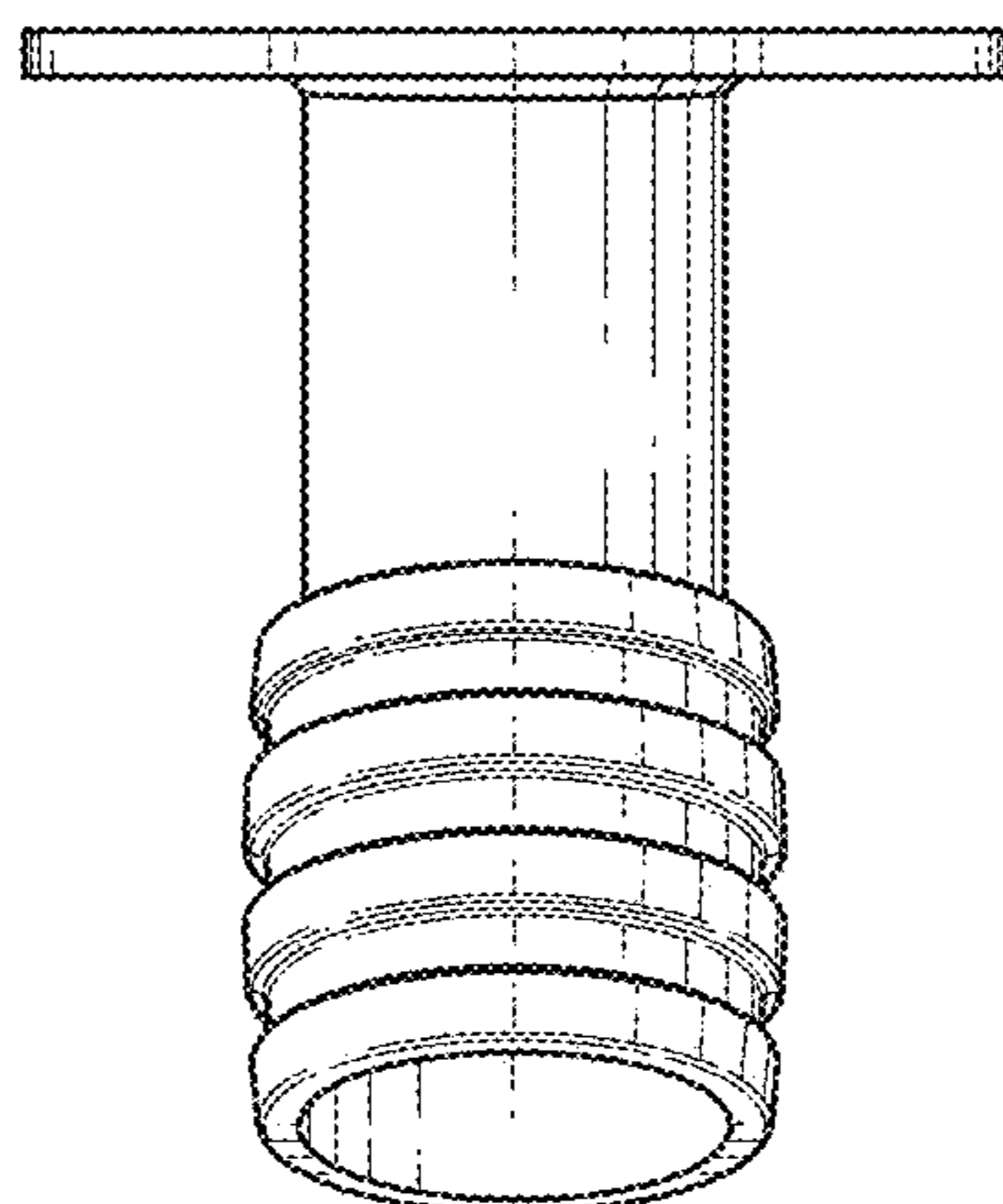


FIG. 16

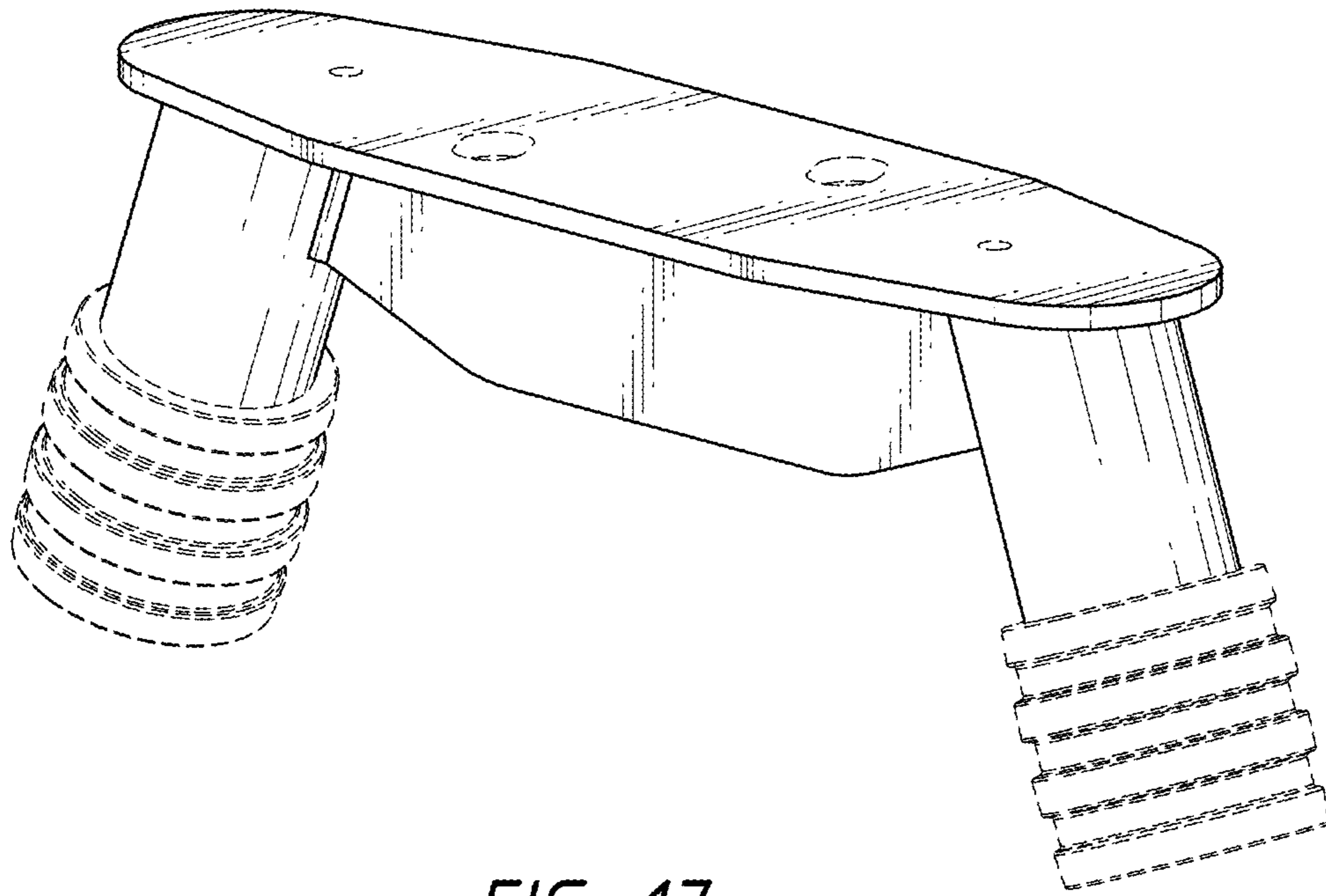


FIG. 17

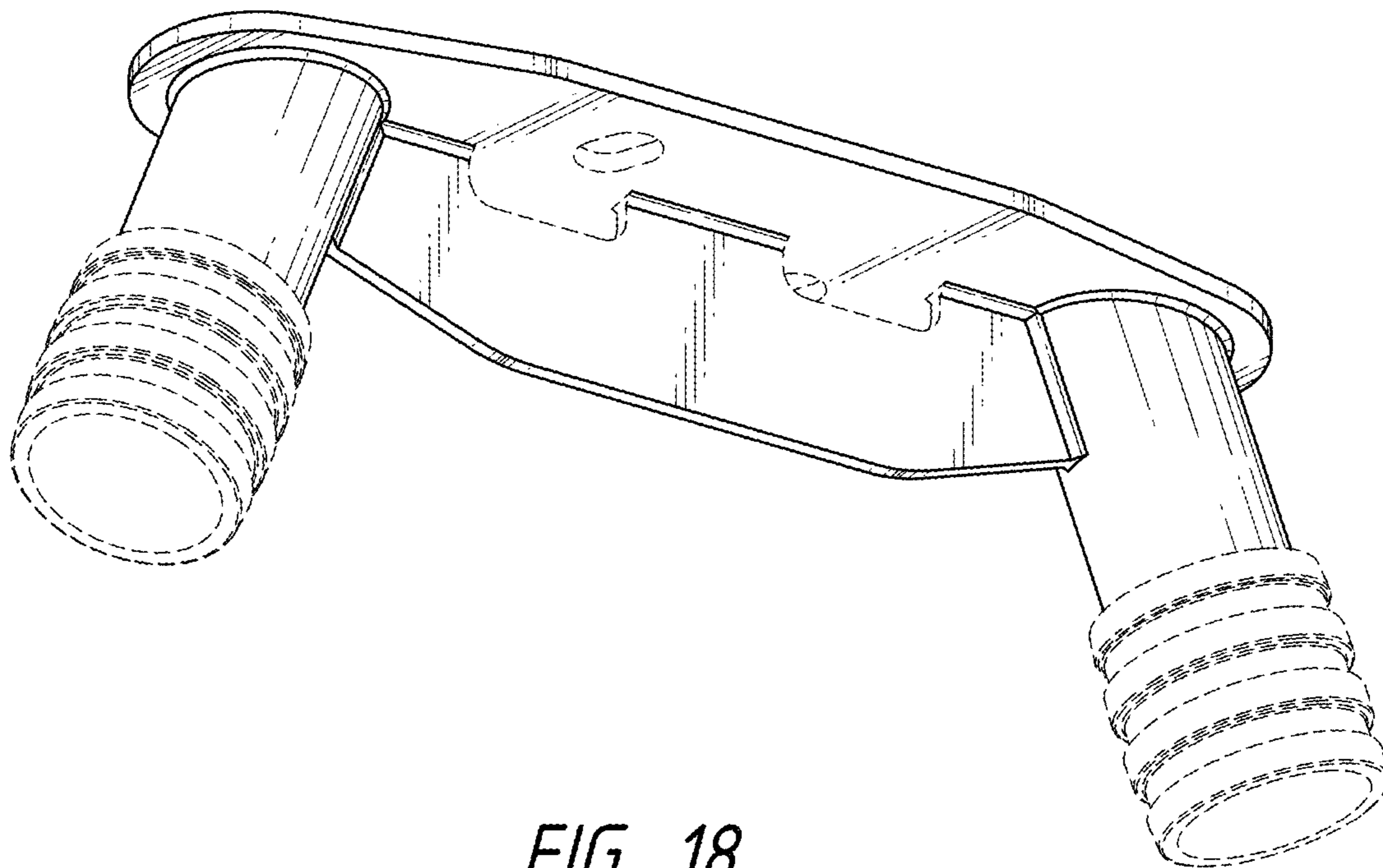


FIG. 18

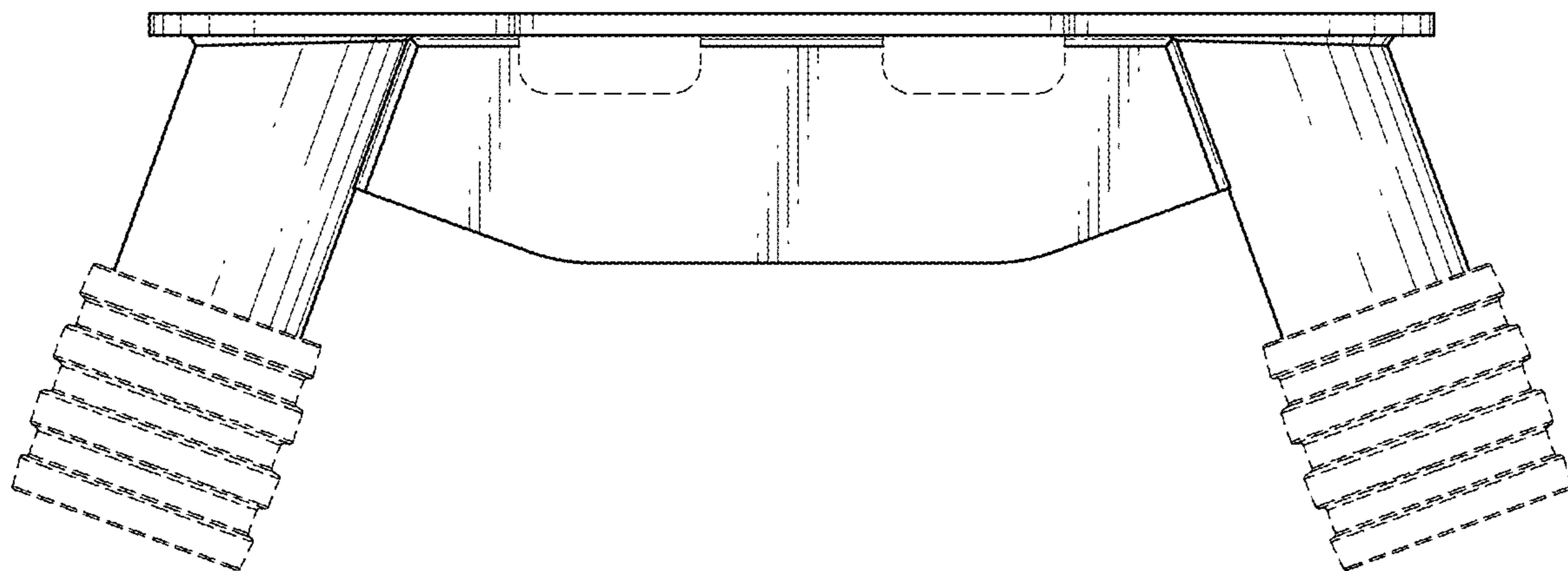


FIG. 19

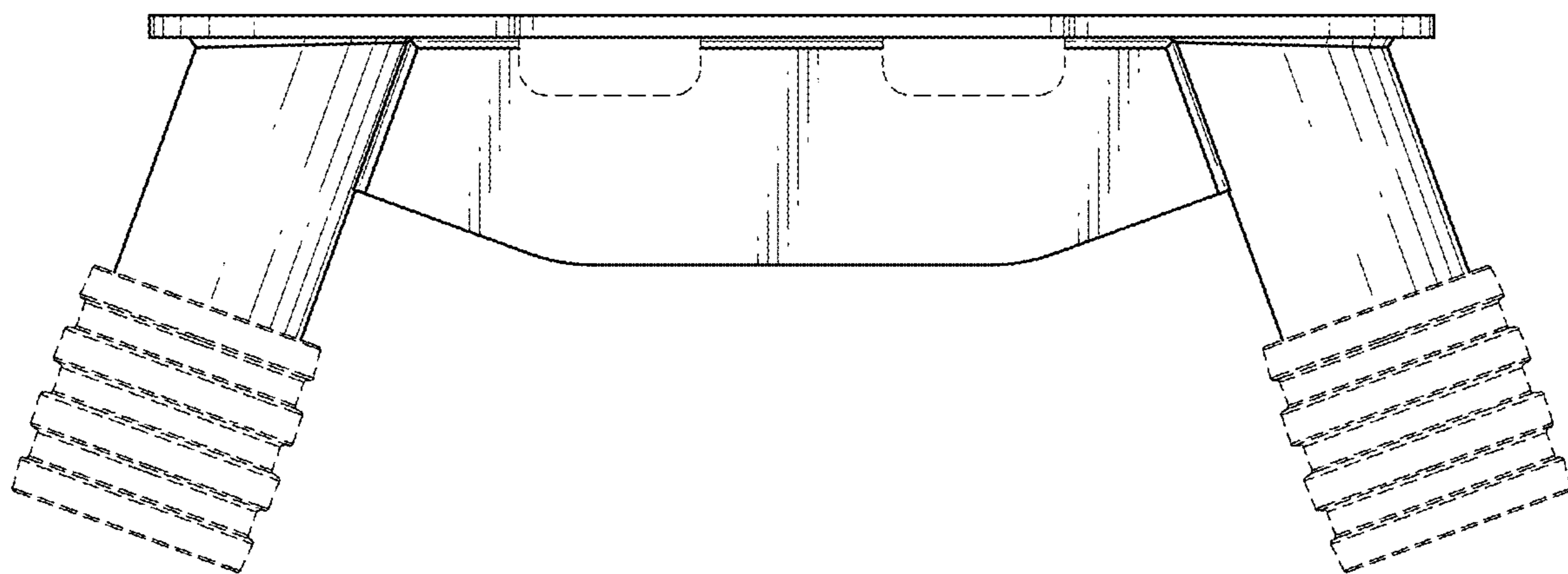


FIG. 20

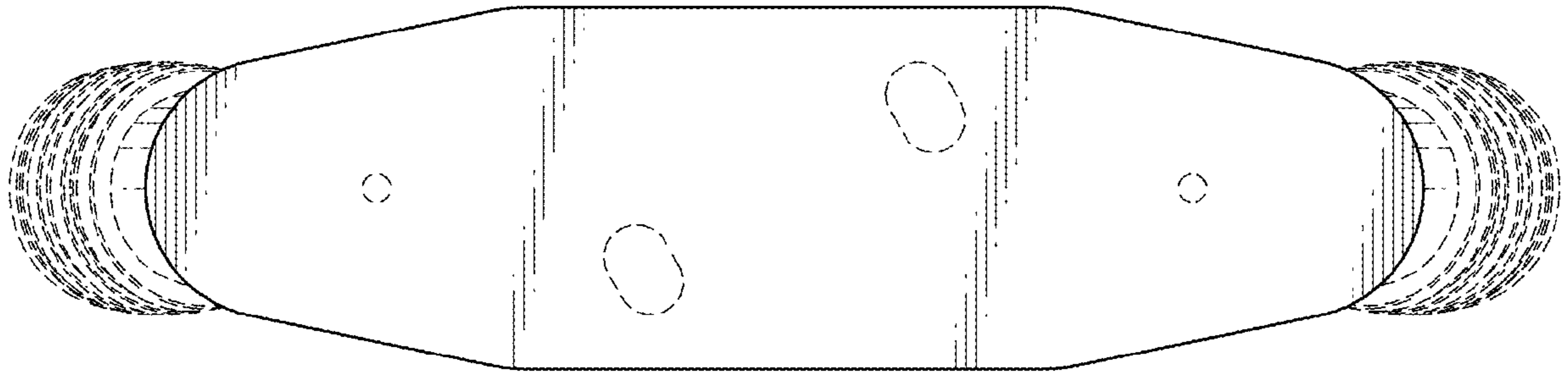


FIG. 21

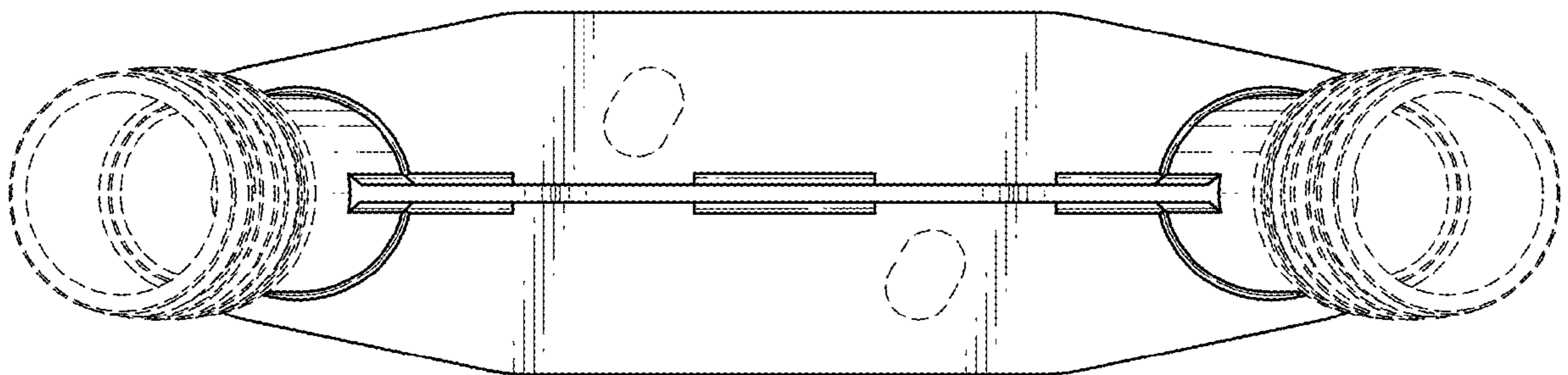


FIG. 22

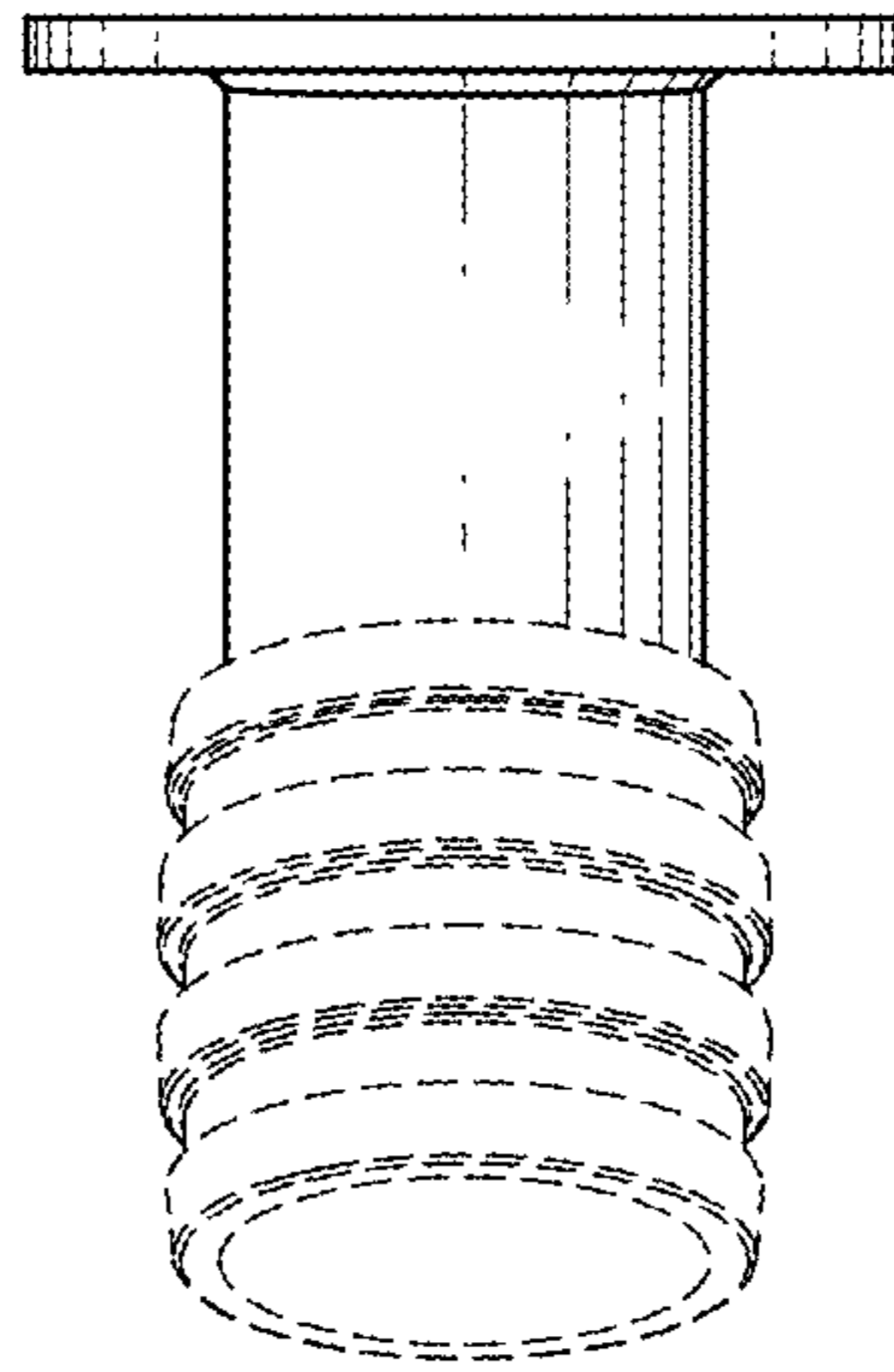


FIG. 23

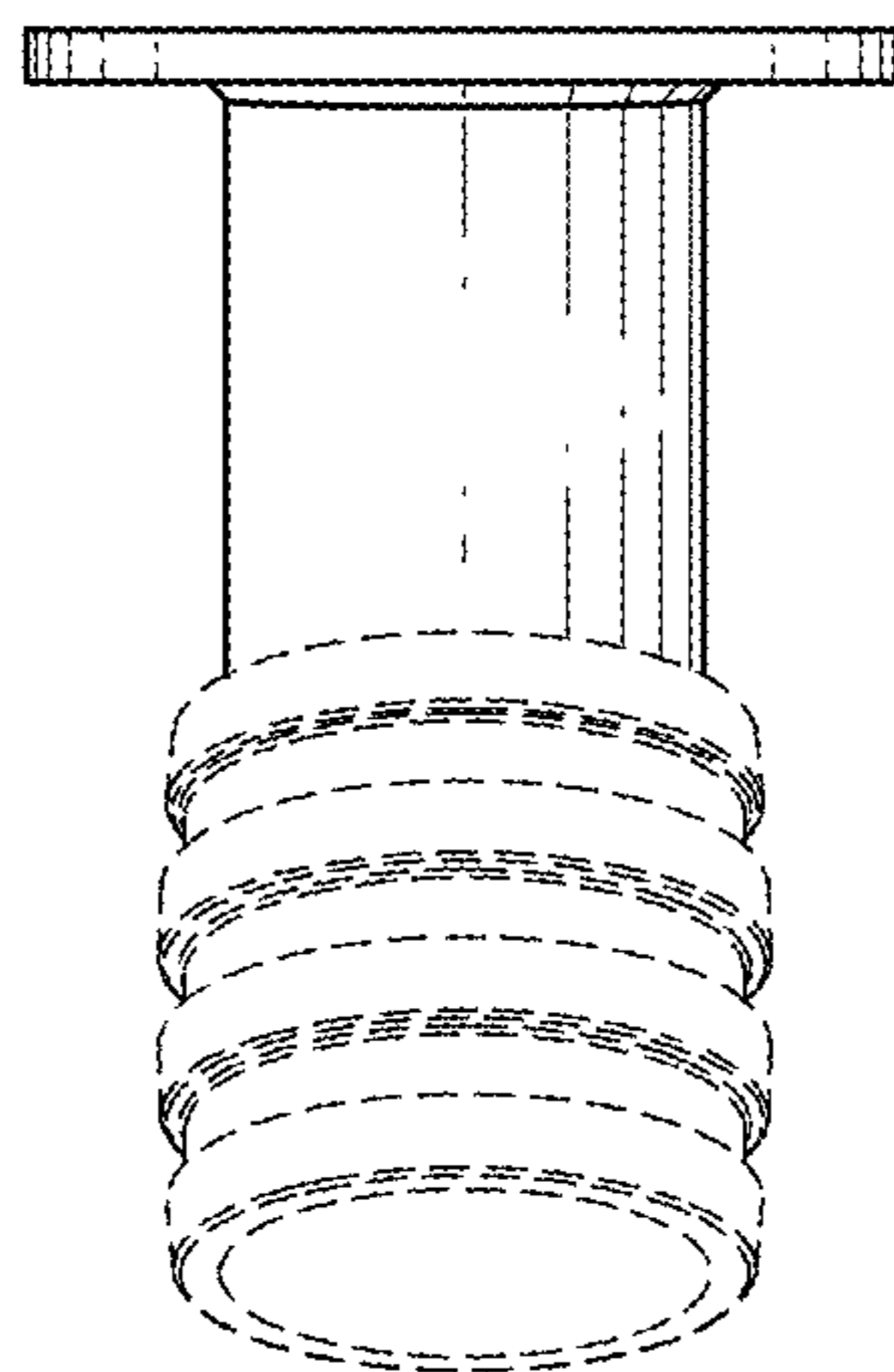


FIG. 24