



US00D932995S

(12) **United States Design Patent** (10) **Patent No.:** **US D932,995 S**
Bead (45) **Date of Patent:** **** Oct. 12, 2021**

- (54) **SOLAR BATTERY**
- (71) Applicant: **Jackson Bead**, Tacoma, WA (US)
- (72) Inventor: **Jackson Bead**, Tacoma, WA (US)
- (**) Term: **15 Years**
- (21) Appl. No.: **29/703,352**
- (22) Filed: **Aug. 27, 2019**
- (51) **LOC (13) Cl.** **13-02**
- (52) **U.S. Cl.**
USPC **D13/102**
- (58) **Field of Classification Search**
USPC D13/102, 101, 103, 106, 110, 116, 184,
D13/199
CPC Y02E 10/42; Y02E 10/50; Y02E 10/60;
H02S 10/10; H02S 20/30; H02S 40/32;
H02S 40/38; H02S 40/42; H01M
2250/30; H01L 31/042; H01L 31/045;
H01L 31/048; H01L 31/052; H01L
31/0475; H01L 31/0485; Y10T 307/615;
Y10T 307/625
See application file for complete search history.

| | | | |
|-------------------|---------|-----------|------------------------------|
| D467,051 S | 12/2002 | Marbury | |
| D490,051 S * | 5/2004 | Kikumoto | D13/102 |
| 6,857,209 B2 | 2/2005 | Wehrwein | |
| 7,388,348 B2 * | 6/2008 | Mattichak | H02J 7/0029 320/101 |
| D611,406 S * | 3/2010 | Oikawa | D13/102 |
| D687,766 S * | 8/2013 | Hsu | D13/102 |
| 2014/0266001 A1 * | 9/2014 | Wilde | H02J 7/35 320/101 |
| 2015/0349553 A1 | 12/2015 | Chapple | |
| 2016/0285138 A1 * | 9/2016 | Liu | H01M 10/48 |
| 2017/0047770 A1 | 2/2017 | Imperial | |

* cited by examiner

Primary Examiner — Derrick E Holland

(57) **CLAIM**

The ornamental design for a solar battery, as shown and described.

DESCRIPTION

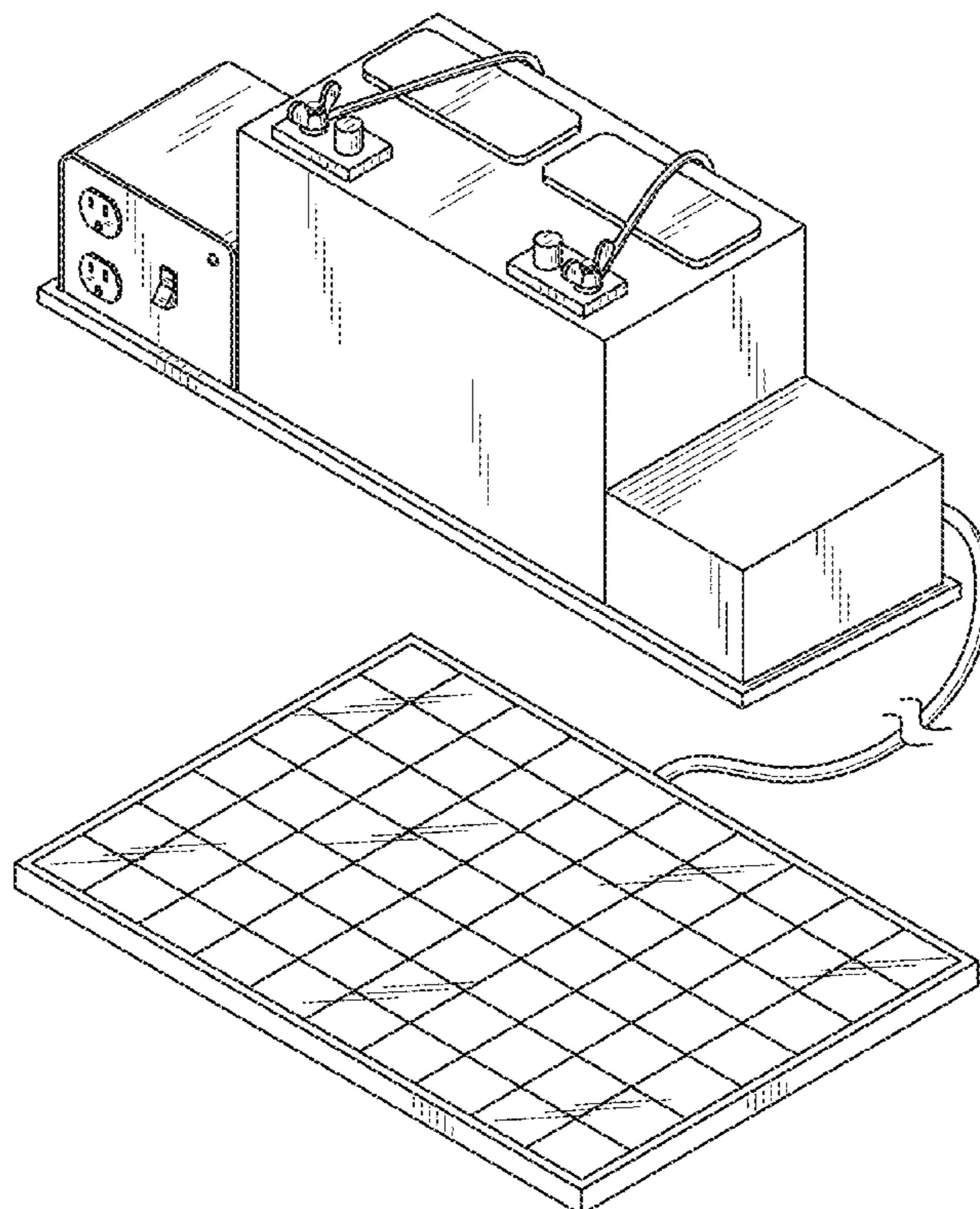
FIG. 1 is a front view of a solar battery showing my new design;
 FIG. 2 is a rear view of the solar battery;
 FIG. 3 is a right side view of the solar battery;
 FIG. 4 is a left side view of the solar battery;
 FIG. 5 is a top view of the solar battery;
 FIG. 6 is a bottom view of the solar battery; and,
 FIG. 7 is a top front side perspective view of the solar battery.

A portion of the solar battery is shown with a symbolic break in its length. The appearance of any portion of the article between the break lines forms no part of the claimed design.

1 Claim, 5 Drawing Sheets

- (56) **References Cited**
U.S. PATENT DOCUMENTS

| | | |
|--------------|--------|-----------|
| 4,650,268 A | 3/1987 | Dobson |
| 5,117,092 A | 5/1992 | Shimizu |
| 5,120,934 A | 6/1992 | Nakada |
| D335,010 S | 4/1993 | Vildosola |
| 6,176,026 B1 | 1/2001 | Leung |



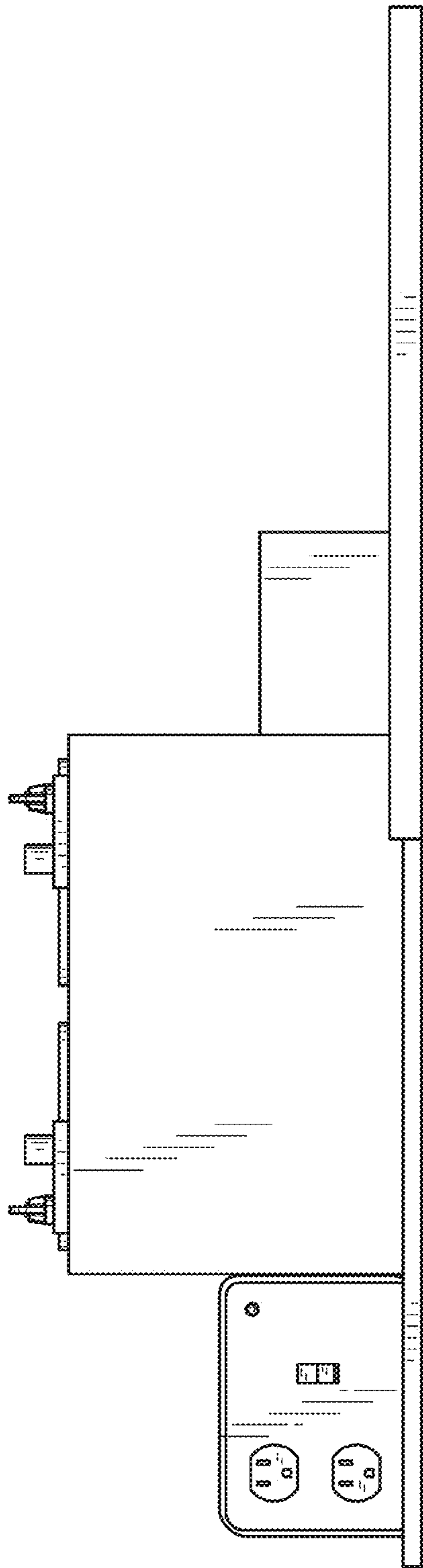


FIG. 1

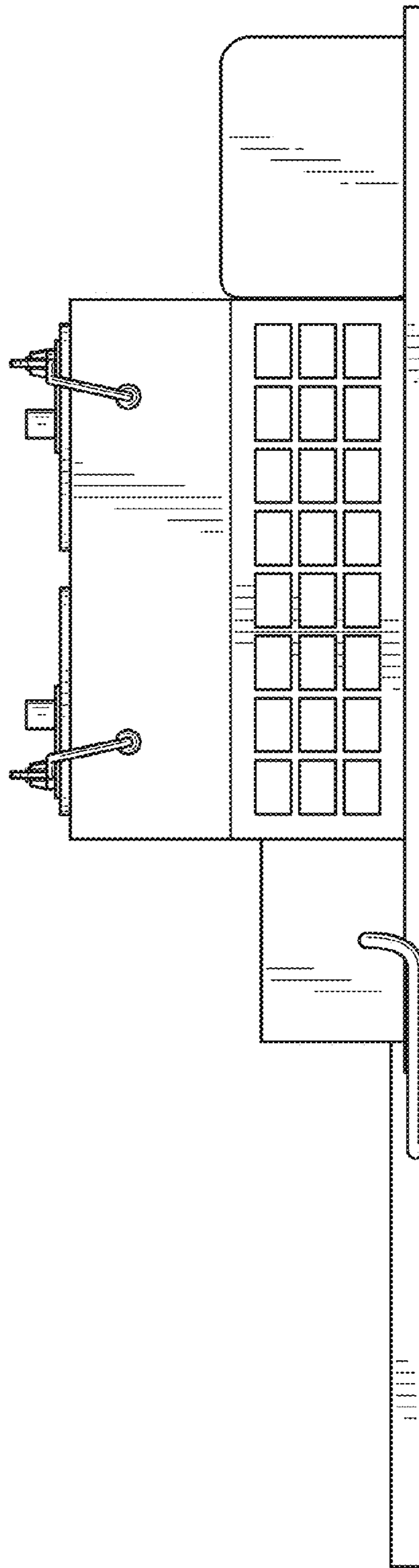


FIG. 2

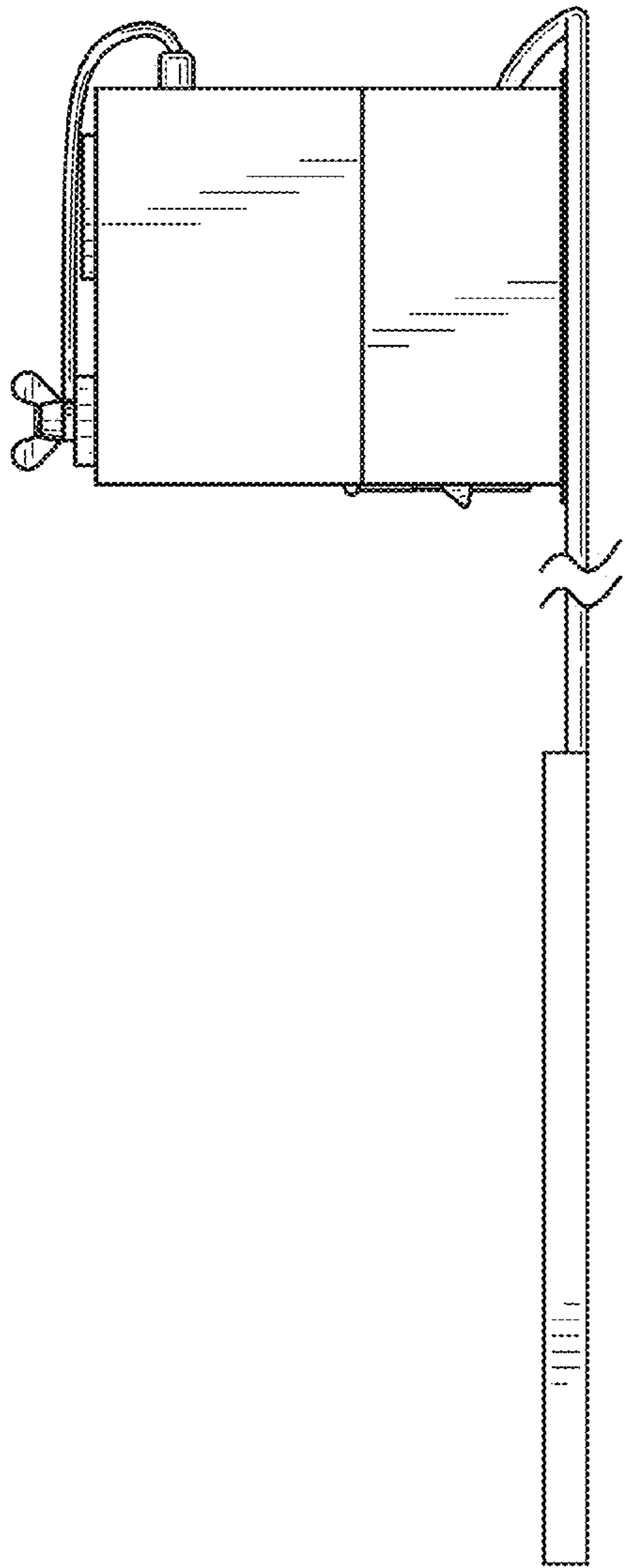


FIG. 3

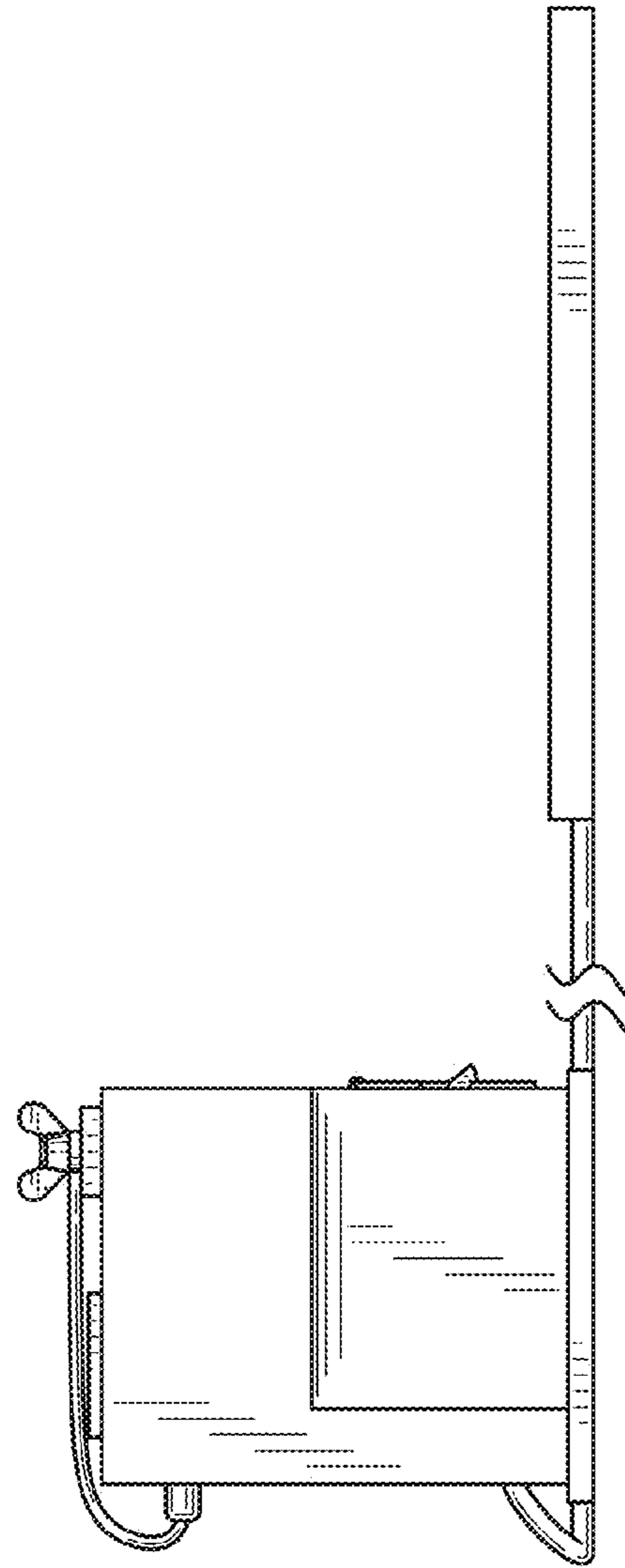


FIG. 4

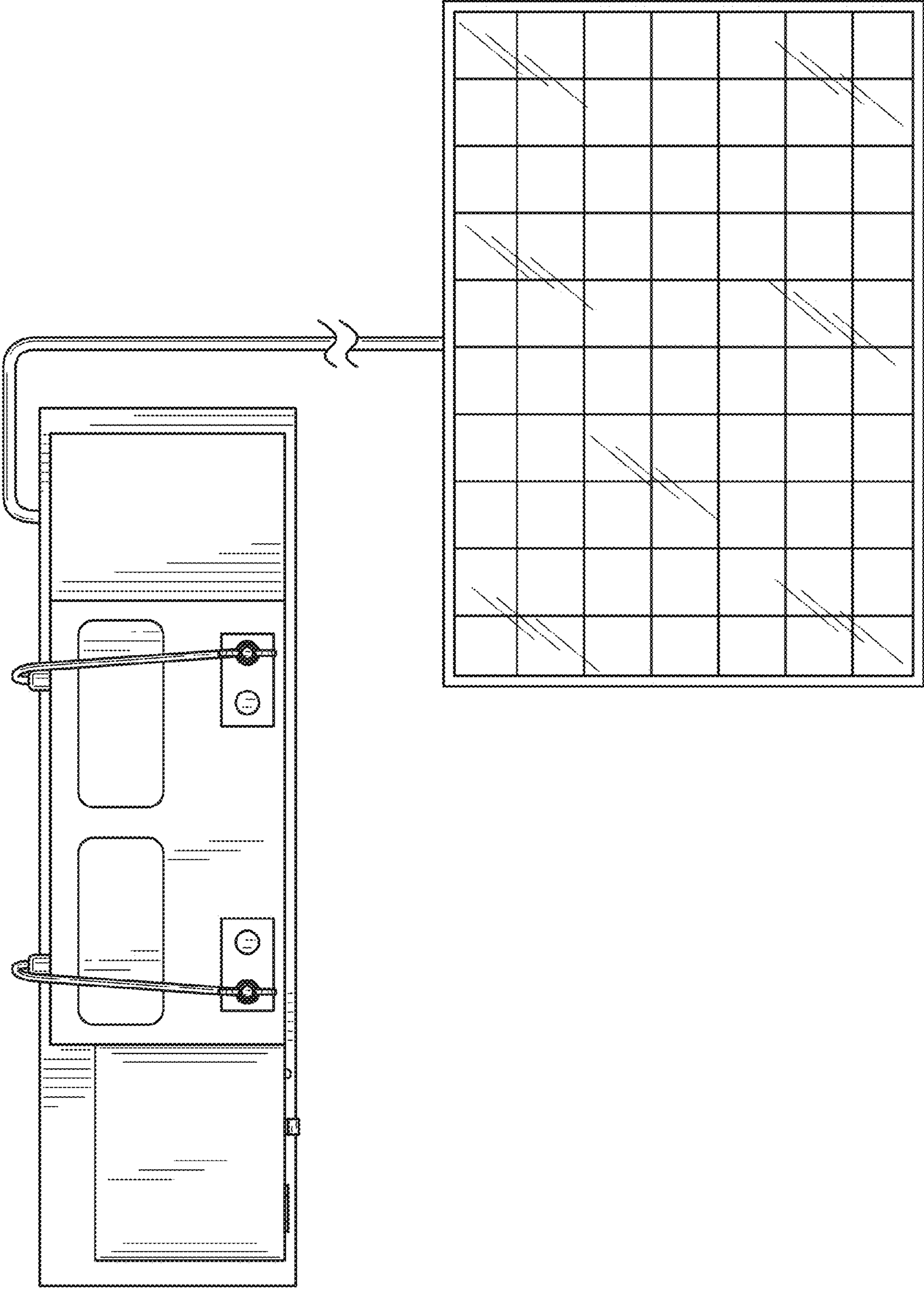


FIG. 5

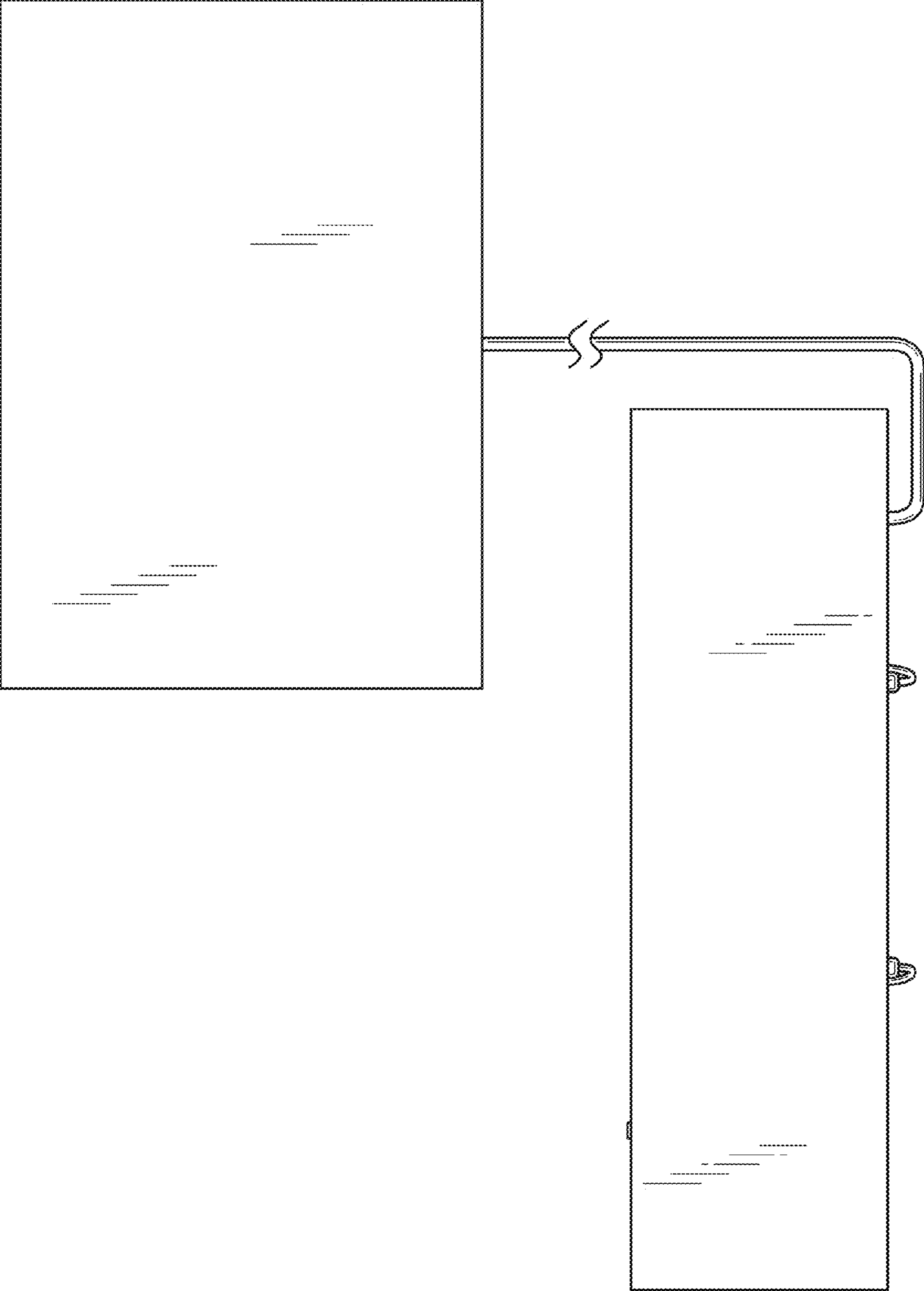


FIG. 6

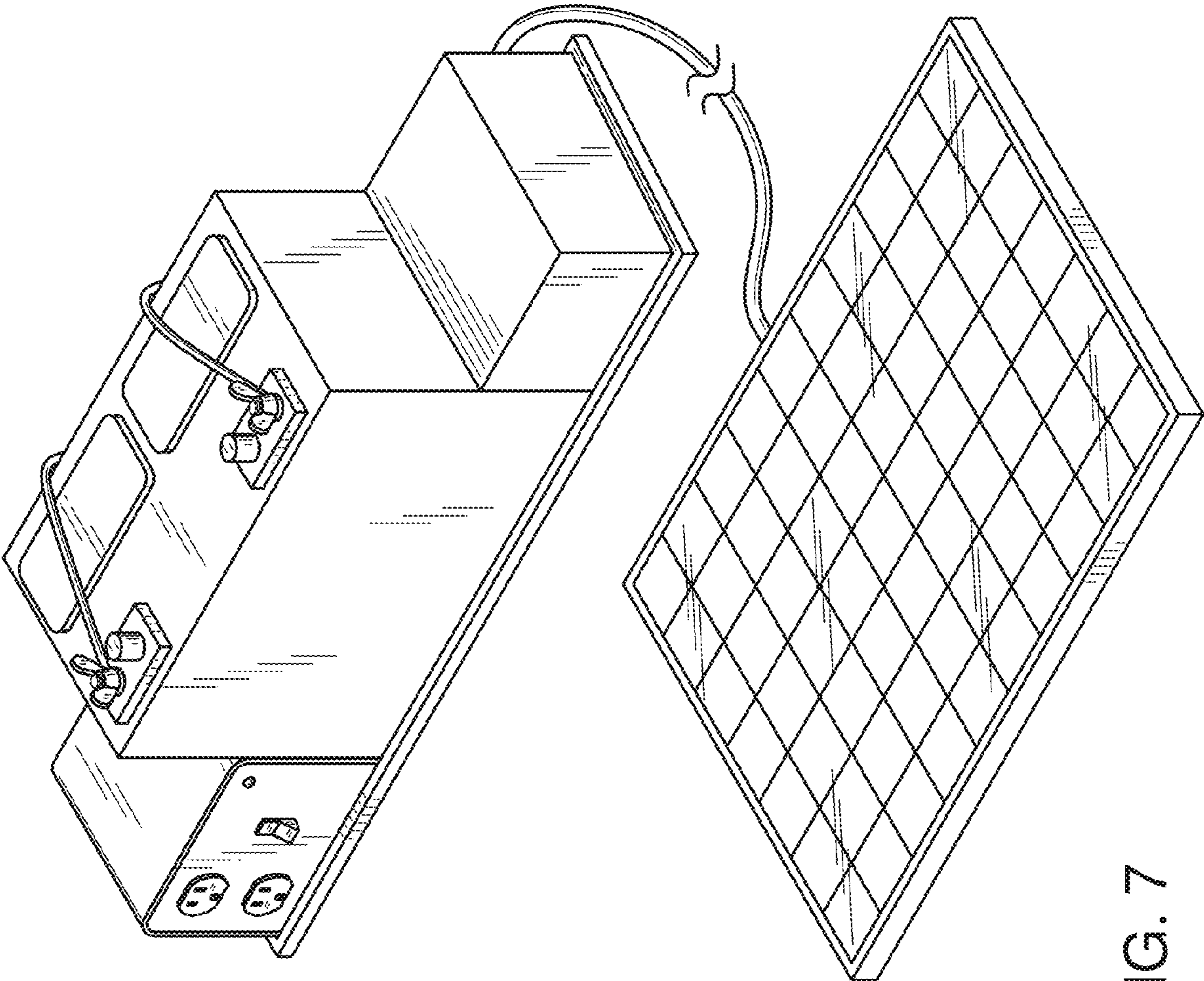


FIG. 7