



US00D932994S

(12) **United States Design Patent** (10) **Patent No.:** **US D932,994 S**
Joyce (45) **Date of Patent:** **** Oct. 12, 2021**

(54) TIRE TRACTION DEVICE	6,016,856 A *	1/2000	Hynes	B60C 27/16 152/190
(71) Applicant: SBI Smart Brands International (America) Ltd., Concord (CA)	6,401,775 B1 *	6/2002	Sood	B60C 27/04 152/225 C
(72) Inventor: Michael Joyce, Richmond Hill (CA)	D689,014 S *	9/2013	Cox	D12/608
(73) Assignee: SBI Smart Brands International (America) Ltd., Concord (CA)	D704,132 S *	5/2014	Curry	D12/607
(**) Term: 15 Years	D707,622 S *	6/2014	Curry	D12/608
(21) Appl. No.: 29/731,503	8,887,777 B1 *	11/2014	Pfoertner	B60C 27/066 152/173
(22) Filed: Apr. 15, 2020	D731,964 S *	6/2015	Williams	D12/608
(30) Foreign Application Priority Data	9,487,056 B1 *	11/2016	Dolios	B60C 27/023
Oct. 16, 2019 (CA)	10,363,784 B1 *	7/2019	Vorobiev	B60C 27/0276
CA 190624	2004/0154717 A1 *	8/2004	Gray	B60C 27/04 152/213 R
(51) LOC (13) Cl.	2010/0252160 A1 *	10/2010	Gelowicz	B60C 27/04 152/213 R
(52) U.S. Cl.				
USPC				
(58) Field of Classification Search				
USPC				
CPC . B60C 27/0269; B60C 27/0276; B60C 27/04; B60C 27/06; B60C 27/08; B60C 27/20				
See application file for complete search history.				

(Continued)

Primary Examiner — Michelle E. Wilson
Assistant Examiner — Clese Moore, Jr.
(74) *Attorney, Agent, or Firm* — McMillan LLP

(57) **CLAIM**

The ornamental design for a tire traction device, as shown.

DESCRIPTION

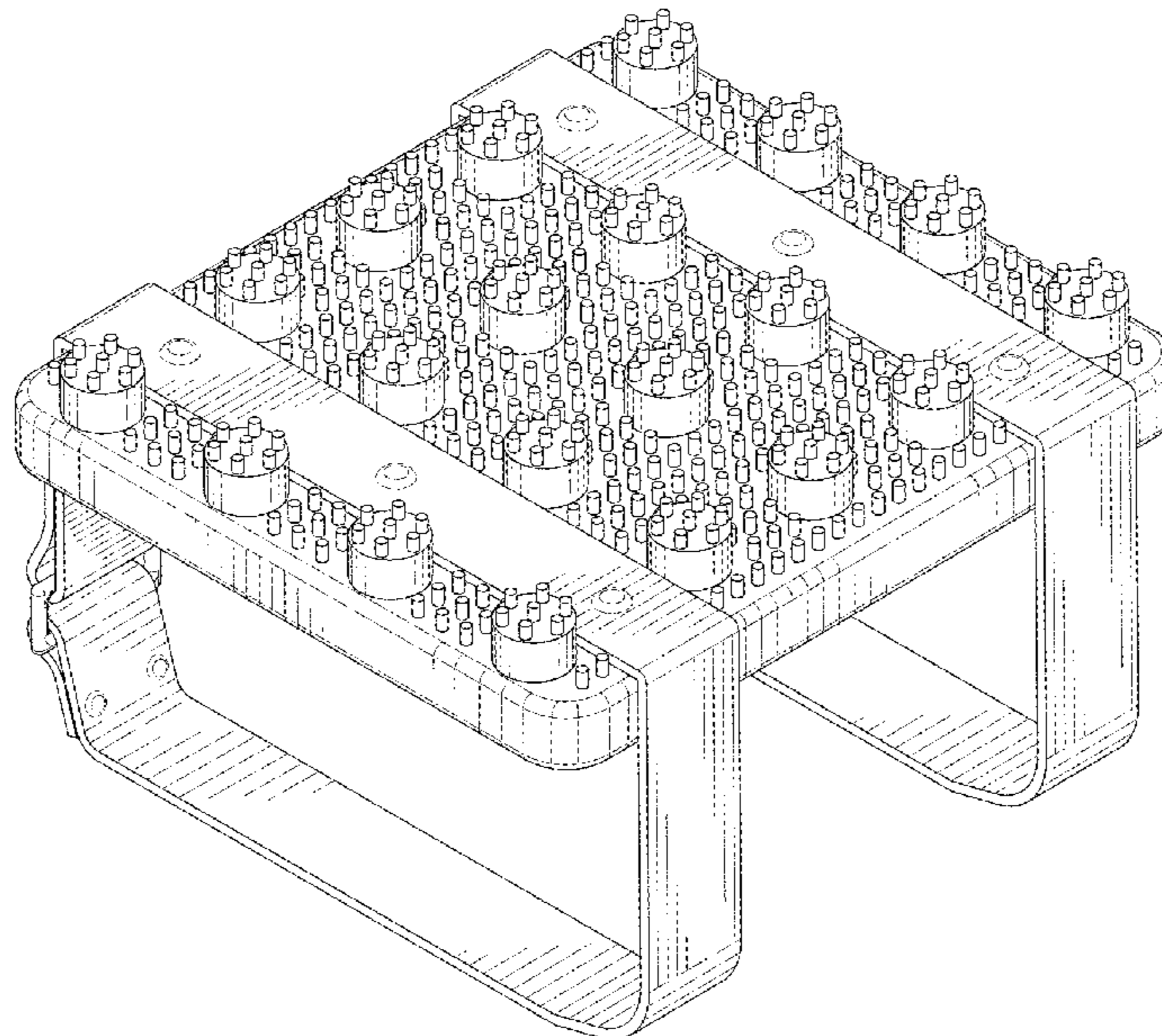
FIG. 1 is a top perspective view of a tire traction device showing my new design.
FIG. 2 is a bottom perspective view thereof.
FIG. 3 is a front elevation view thereof.
FIG. 4 is a rear elevation view thereof.
FIG. 5 is a left side elevation view thereof.
FIG. 6 is a right side view thereof.
FIG. 7 is a top plan view thereof.
FIG. 8 is a bottom plan view thereof; and,
FIG. 9 is a top perspective view thereof shown installed on a vehicle tire.
The broken lines of the tire shown in FIG. 9 illustrates environment that form no part of the claimed design.

1 Claim, 9 Drawing Sheets

(56) **References Cited**

U.S. PATENT DOCUMENTS

2,905,219 A *	9/1959	Lindgren	B60C 27/20 152/228
2,946,366 A *	7/1960	Saperstein	B60C 27/02 152/218
4,226,272 A *	10/1980	Deluty	B60C 27/04 152/225 C
D325,896 S *	5/1992	Pfoertner	D12/608
5,156,695 A *	10/1992	Martin	B60C 27/04 152/216



(56)

References Cited

U.S. PATENT DOCUMENTS

2011/0303334 A1* 12/2011 Safranek B60C 27/04
152/216
2012/0119564 A1* 5/2012 Perry B60B 15/18
301/44.2
2012/0153707 A1* 6/2012 Dondurur B60C 27/02
301/44.3
2015/0083815 A1* 3/2015 Moses B60B 39/12
238/14
2015/0306926 A1* 10/2015 Martin B60C 27/0238
152/216
2016/0368334 A1* 12/2016 O'Connell B60C 27/20
2017/0015160 A1* 1/2017 Curry B60C 27/0276
2017/0225509 A1* 8/2017 Blackshaw B60C 11/0302
2017/0259632 A1* 9/2017 Abad B60C 27/04
2019/0135056 A1* 5/2019 Martin B60C 27/062

* cited by examiner

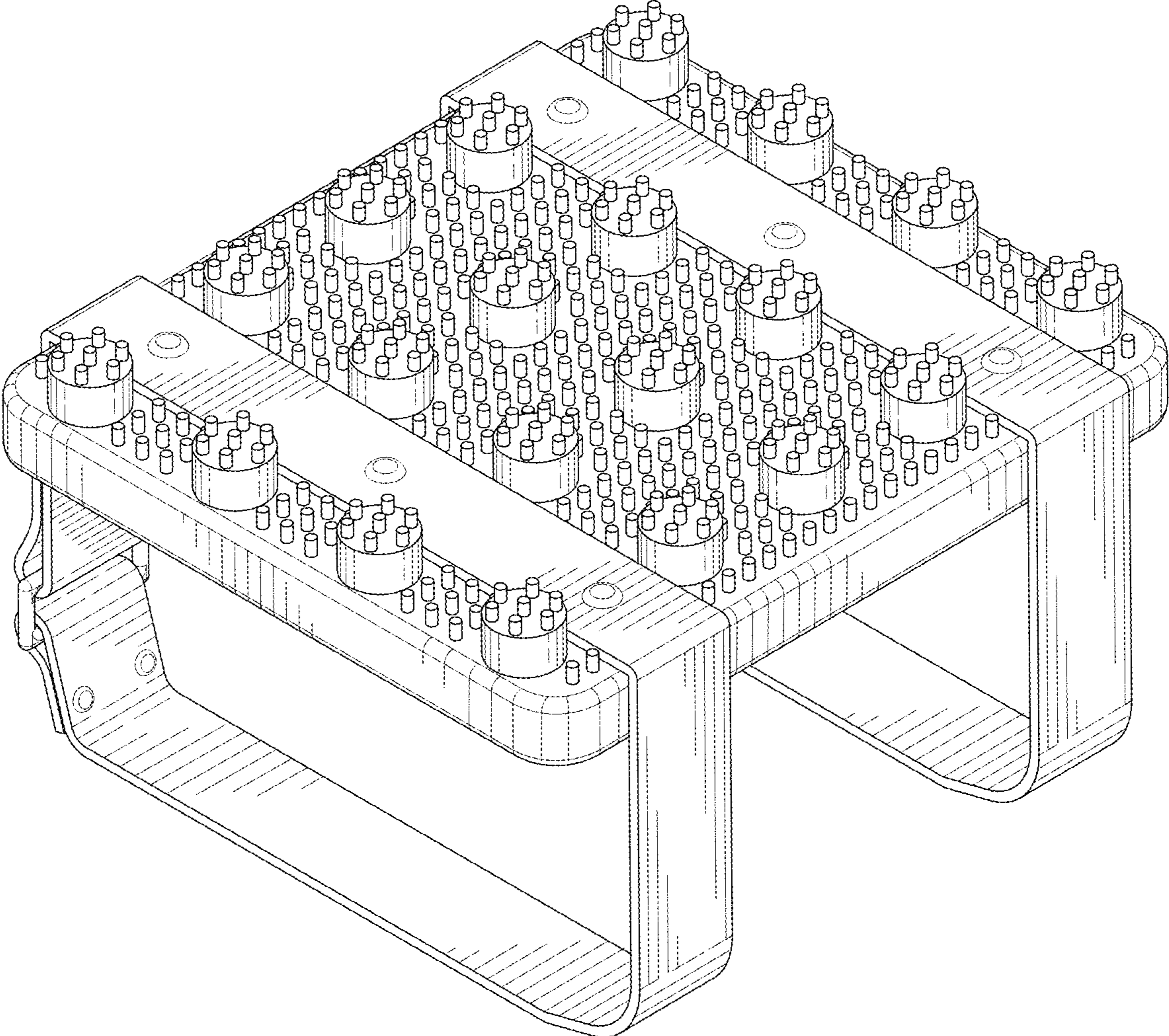


FIG.1

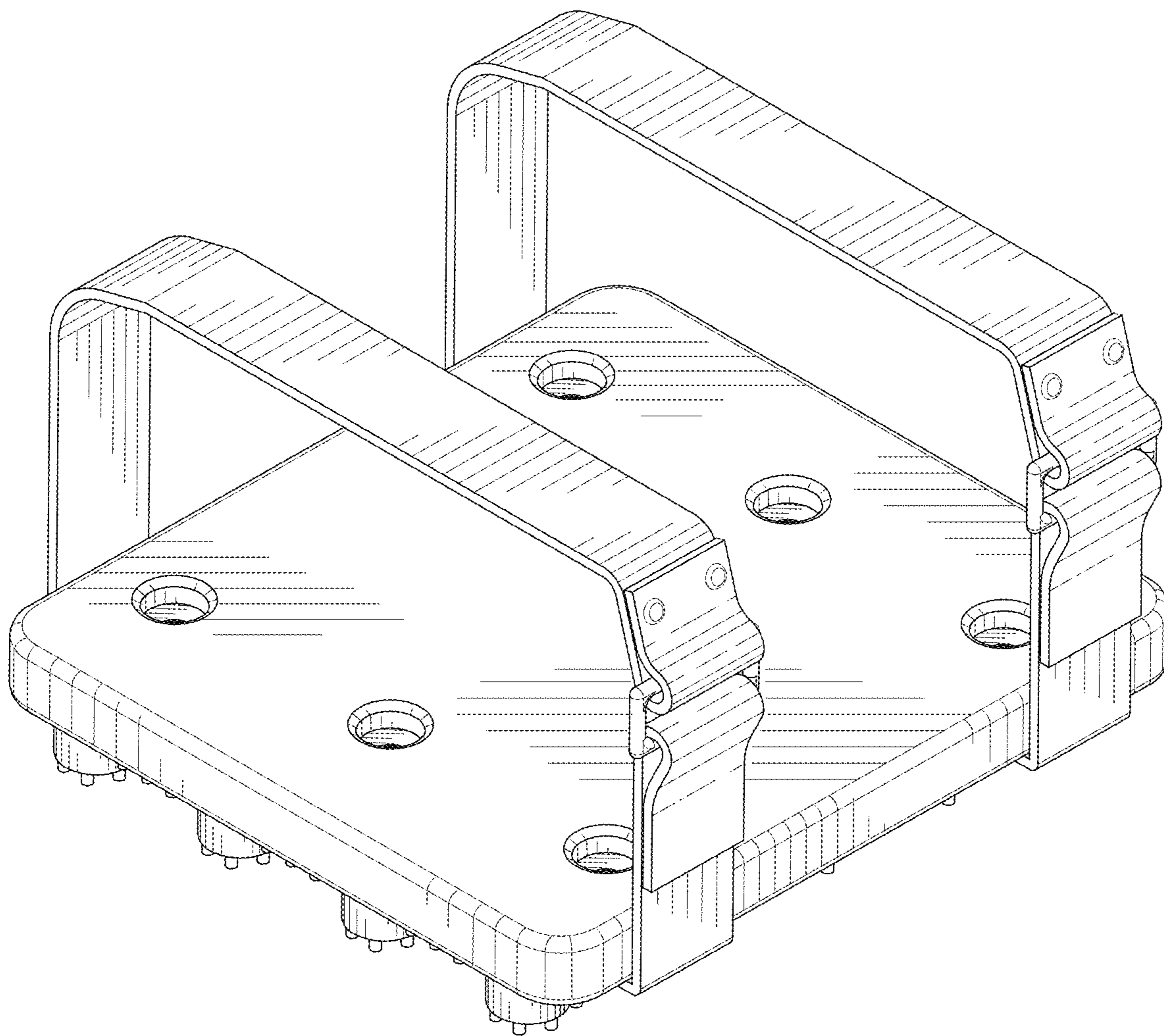


FIG.2

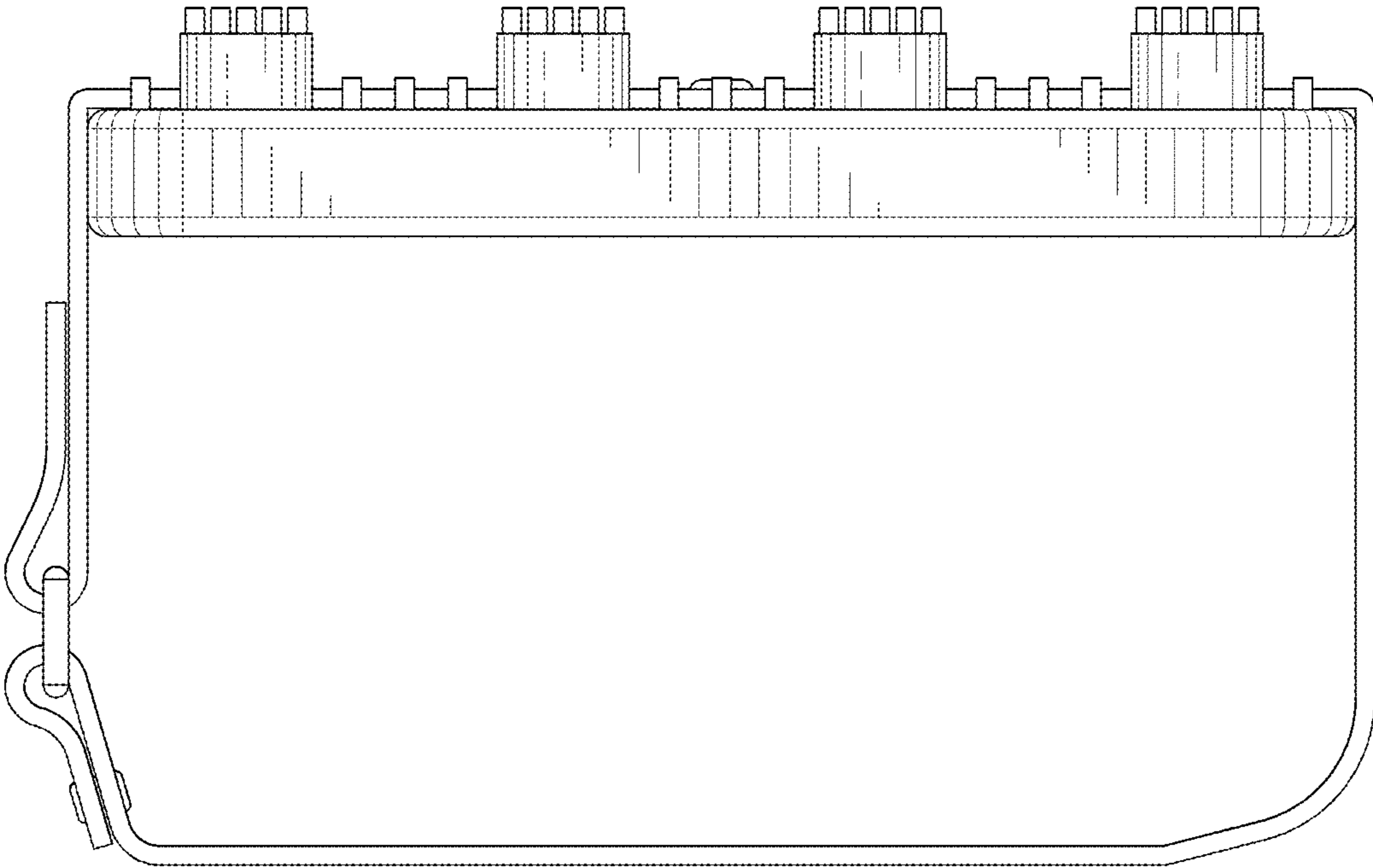


FIG.3

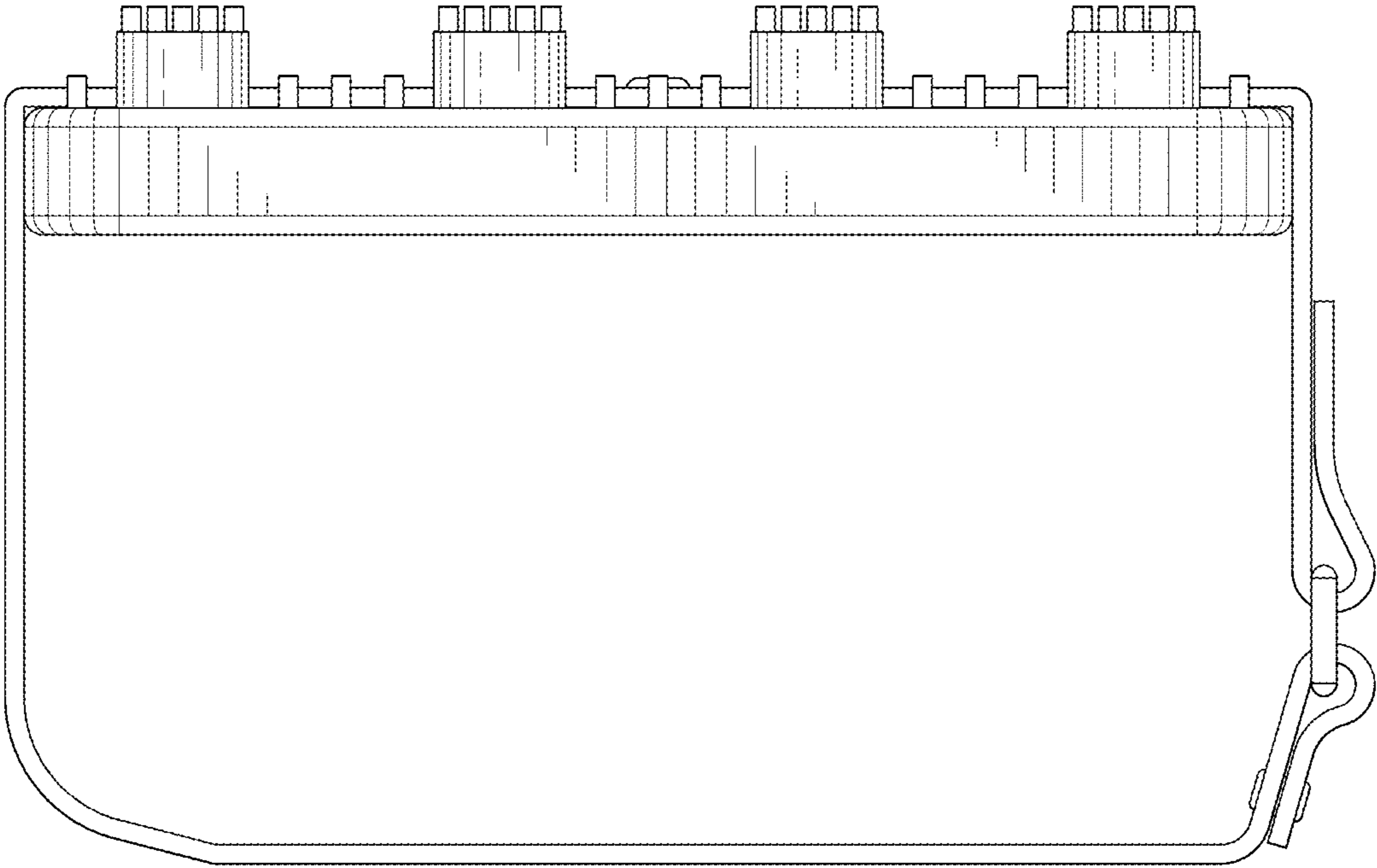


FIG.4

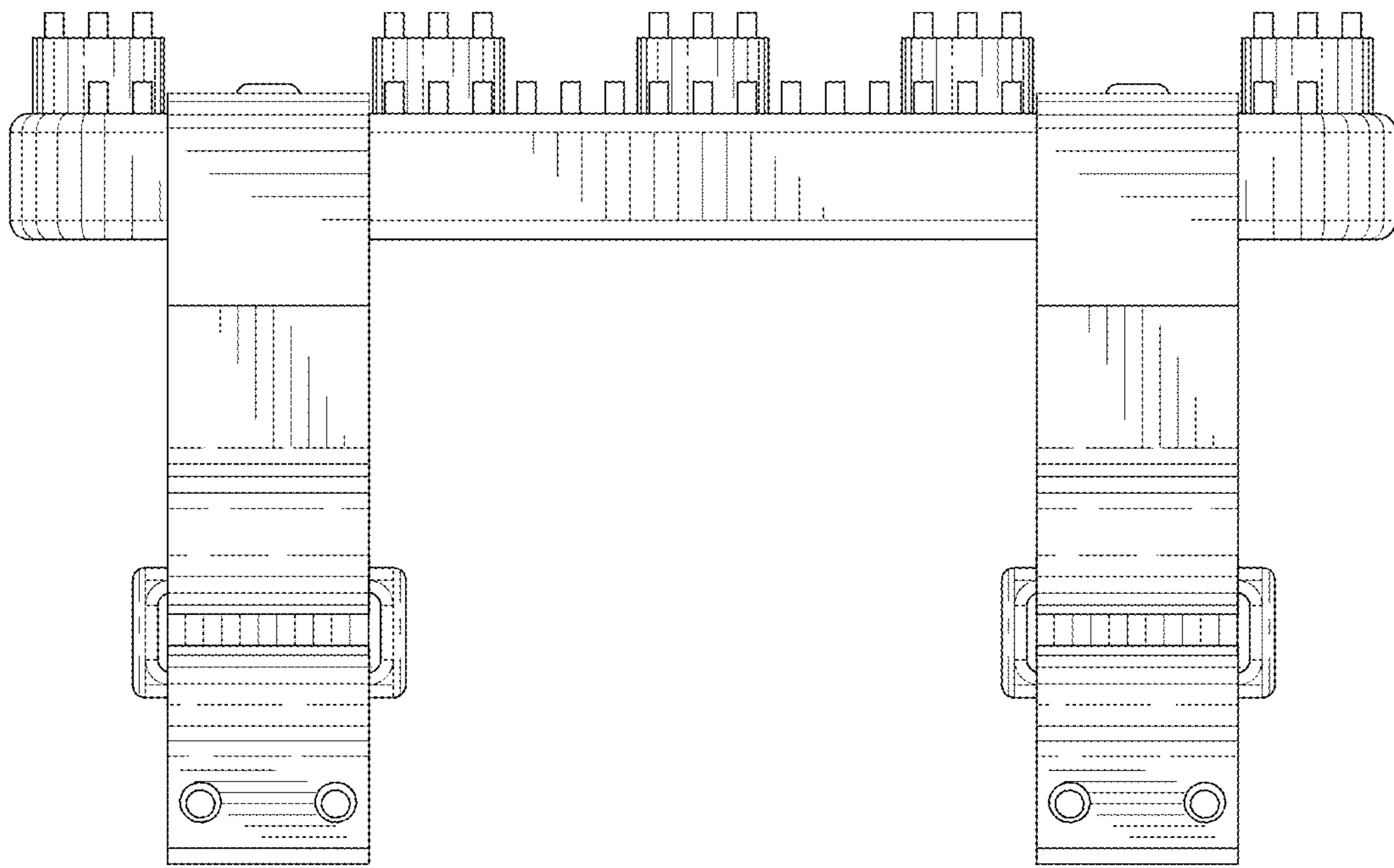


FIG.5

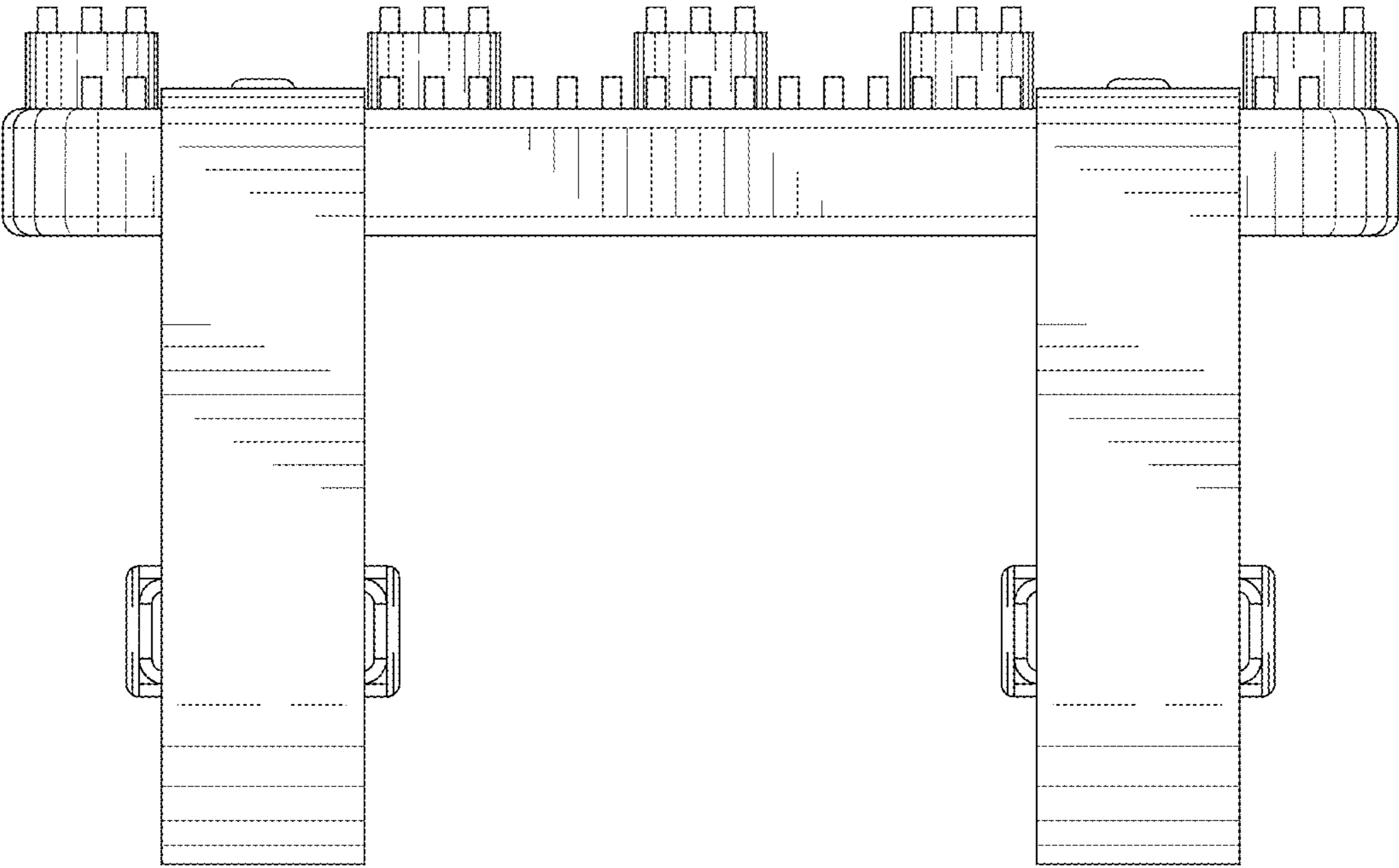


FIG.6

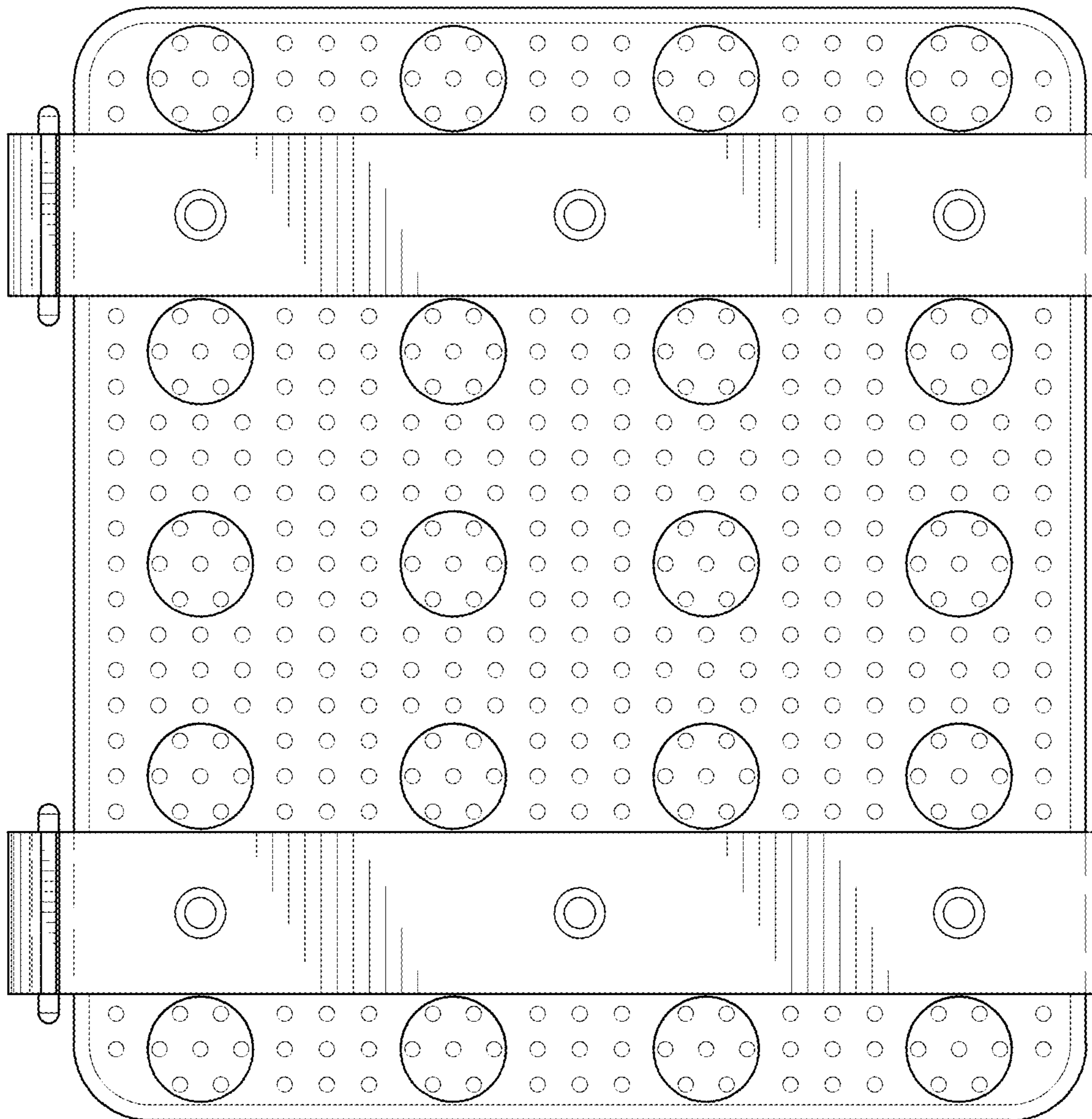


FIG.7

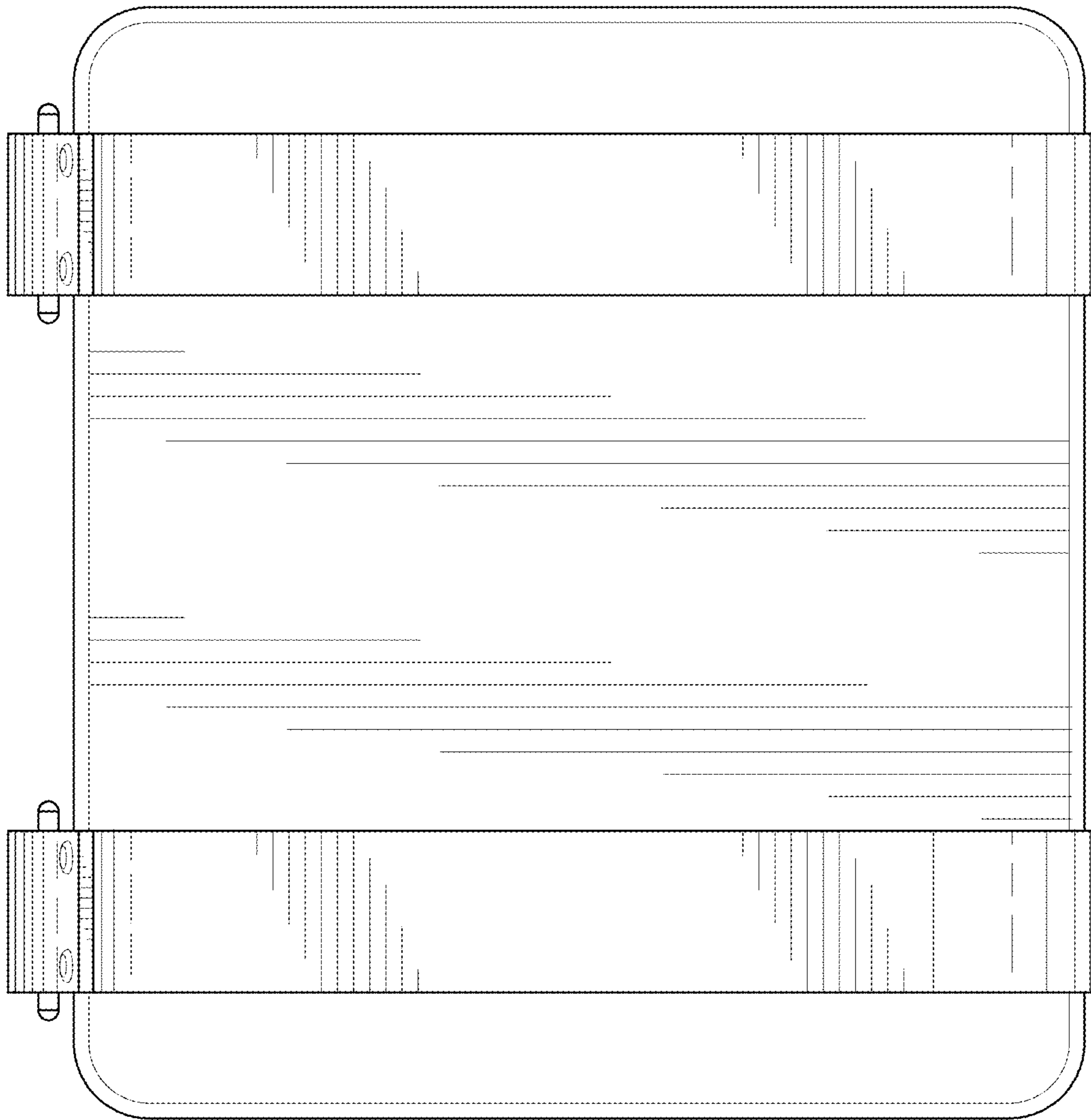


FIG.8

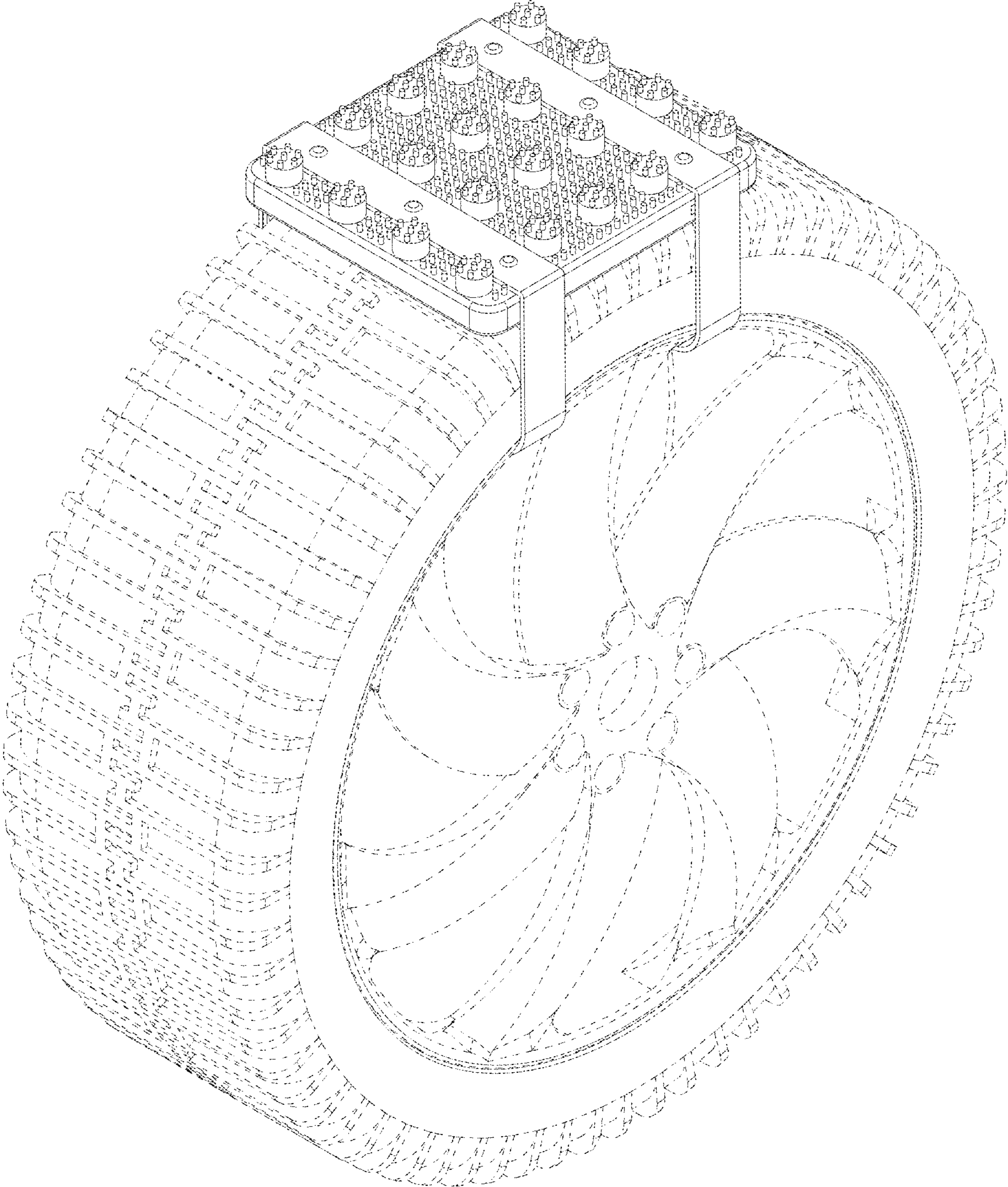


FIG.9