

US00D932990S

(12) **United States Design Patent**
Severyn et al.

(10) **Patent No.:** **US D932,990 S**

(45) **Date of Patent:** **** Oct. 12, 2021**

(54) **TIRE**

(71) Applicant: **Bridgestone Americas Tire Operations, LLC**, Nashville, TN (US)

(72) Inventors: **David M. Severyn**, North Canton, OH (US); **Spencer I. Cullen**, Cuyahoga Falls, OH (US); **Michael J. Minnick**, Akron, OH (US)

(73) Assignee: **Bridgestone Americas Tire Operations, LLC**, Nashville, TN (US)

(**) Term: **15 Years**

(21) Appl. No.: **29/706,705**

(22) Filed: **Sep. 23, 2019**

(51) **LOC (13) Cl.** **12-15**

(52) **U.S. Cl.**
USPC **D12/604**

(58) **Field of Classification Search**
USPC D12/568-604, 900
CPC Y10T 152/10027; B60C 1/0016; B60C 11/0306; B60C 11/0302; B60C 3/06; B60C 9/17

See application file for complete search history.

(56) **References Cited**

U.S. PATENT DOCUMENTS

- D380,714 S * 7/1997 Attinello D12/587
- D450,635 S 11/2001 Fierro et al.
- D451,455 S 12/2001 Helt
- D452,199 S 12/2001 Robert et al.
- D454,331 S 3/2002 Fierro et al.
- D459,696 S 7/2002 Robert et al.
- D554,055 S 10/2007 Beauguitte et al.
- D575,727 S 8/2008 Shondel et al.
- D592,589 S 5/2009 Dixon et al.
- D596,111 S 7/2009 Miyazaki
- D600,635 S 9/2009 Finnell et al.

- D639,234 S 6/2011 Reim
- D639,235 S 6/2011 Reim et al.
- D673,899 S * 1/2013 Uphouse D12/600
- D674,743 S 1/2013 Uphouse et al.
- D700,885 S 3/2014 Le et al.

(Continued)

Primary Examiner — John A Voytek

(74) *Attorney, Agent, or Firm* — Shaun J. Fox

(57) **CLAIM**

The ornamental design for a tire, as shown and described.

DESCRIPTION

FIG. 1 is a side perspective view of a tire showing a first embodiment of our new design, it being understood that the tread pattern is repeated throughout the circumference of the tire;

FIG. 2 is a front elevational view thereof; it being understood that the tread pattern is repeated throughout the circumference of the tire;

FIG. 3 is a side elevational view of the left side thereof;

FIG. 4 is a side elevational view of the right side thereof;

FIG. 5 is an enlarged fragmentary front elevational view thereof;

FIG. 6 is a side perspective view of a tire showing a second embodiment of our new design, it being understood that the tread pattern is repeated throughout the circumference of the tire;

FIG. 7 is a front elevational view thereof; it being understood that the tread pattern is repeated throughout the circumference of the tire;

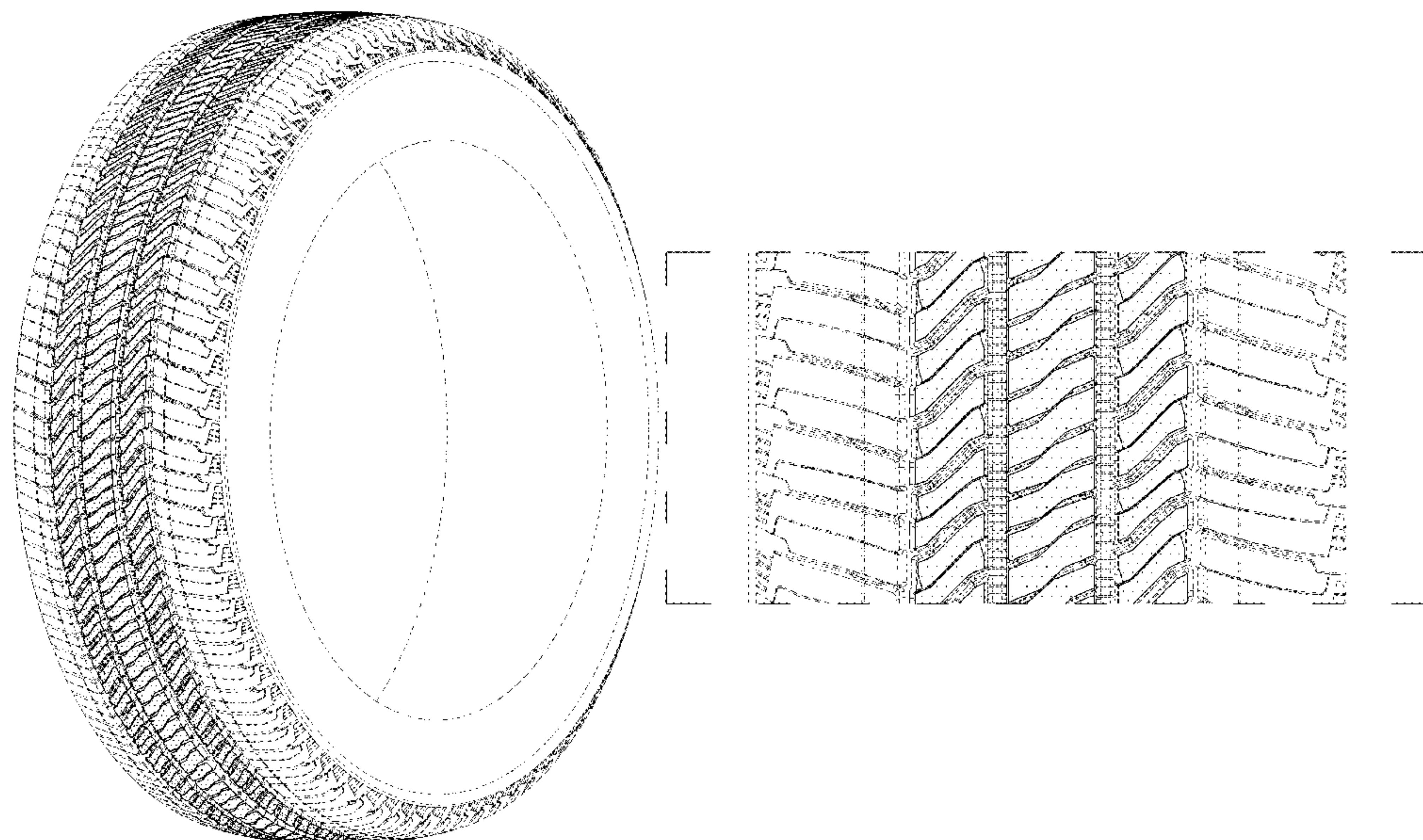
FIG. 8 is a side elevational view of the left side thereof;

FIG. 9 is a side elevational view of the right side thereof; and,

FIG. 10 is an enlarged fragmentary front elevational view thereof.

In the drawings, the broken lines depict environmental subject matter only and form no part of the claimed design.

1 Claim, 10 Drawing Sheets



(56)

References Cited

U.S. PATENT DOCUMENTS

D738,294 S	9/2015	Koog	
D738,813 S	9/2015	Wang	
D738,814 S	9/2015	Otani	
D740,211 S *	10/2015	Parr	D12/589
D743,327 S	11/2015	Schimmoeller	
D746,223 S	12/2015	Hutz et al.	
D761,194 S	7/2016	Dixon et al.	
D761,196 S	7/2016	Dixon et al.	
D765,023 S	8/2016	Parr et al.	
D777,654 S	1/2017	Lundgren et al.	
D779,415 S	2/2017	Marella et al.	
D780,678 S	3/2017	Maxwell et al.	
D781,225 S	3/2017	Westaway	
D785,551 S	5/2017	Farinelle et al.	
D787,432 S	5/2017	Hoshiba	
D792,839 S	7/2017	Maxwell et al.	
D810,657 S	2/2018	Yamaoka	
D812,550 S	3/2018	Digman et al.	
D817,258 S	5/2018	Kikuchi	
D818,943 S	5/2018	McKenney et al.	
D822,588 S	7/2018	Skurich et al.	
D823,235 S	7/2018	Lamb	
D830,955 S	10/2018	Yamaoka	
D837,723 S	1/2019	Schultz et al.	
D843,314 S	3/2019	Xiang et al.	
D847,083 S	4/2019	Dayet	
D849,676 S	5/2019	Becker et al.	
D852,125 S	6/2019	Davis et al.	
D870,652 S *	12/2019	Lundgren	D12/594
D879,027 S *	3/2020	Wolbert	D12/604
D887,341 S *	6/2020	Tsunekawa	D12/521
D889,389 S *	7/2020	Severyn	D12/604
D907,570 S *	1/2021	Nyun	D12/601
2013/0153100 A1	6/2013	Piffard et al.	

* cited by examiner

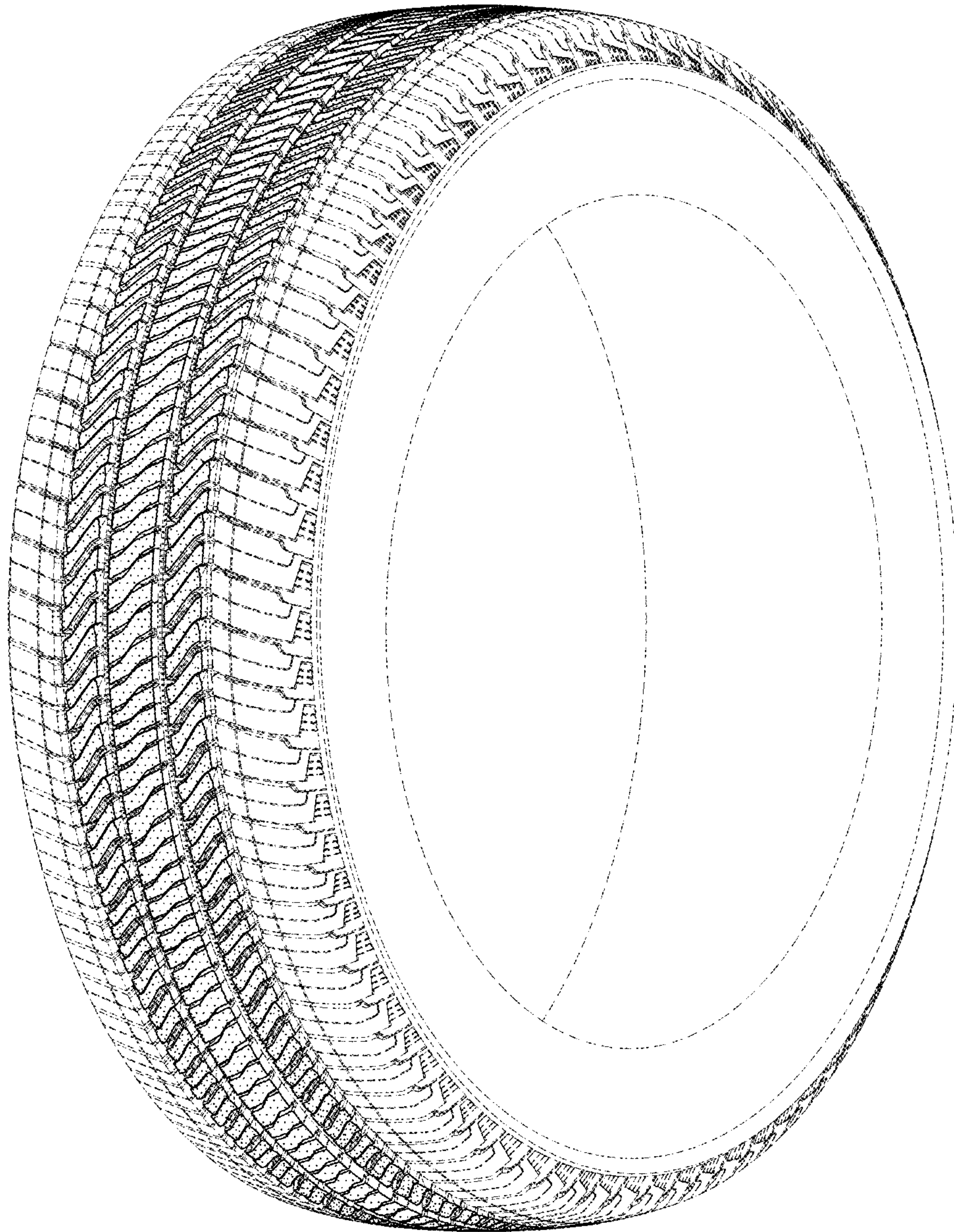


FIG. 1

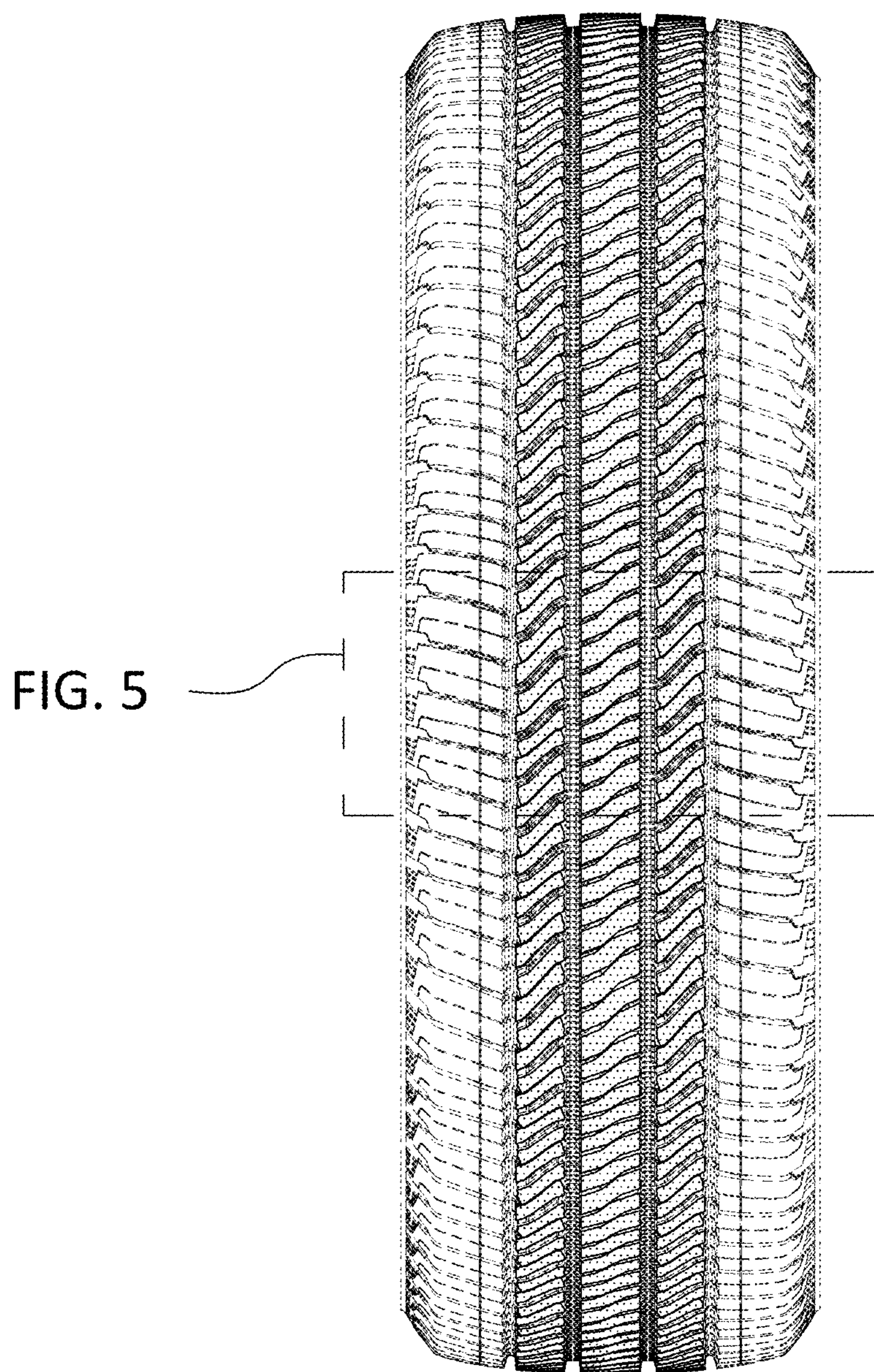


FIG. 2

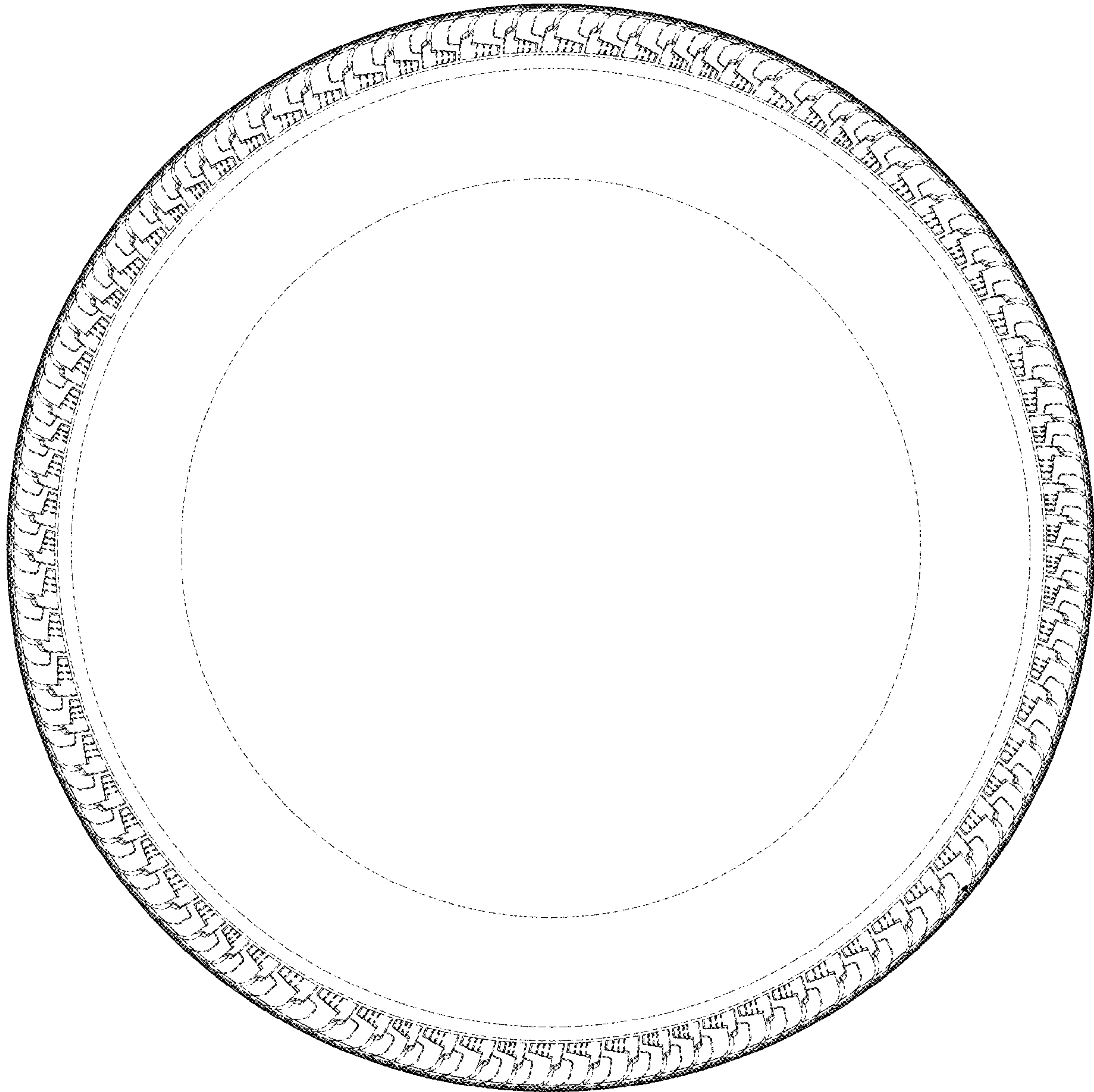


FIG. 3

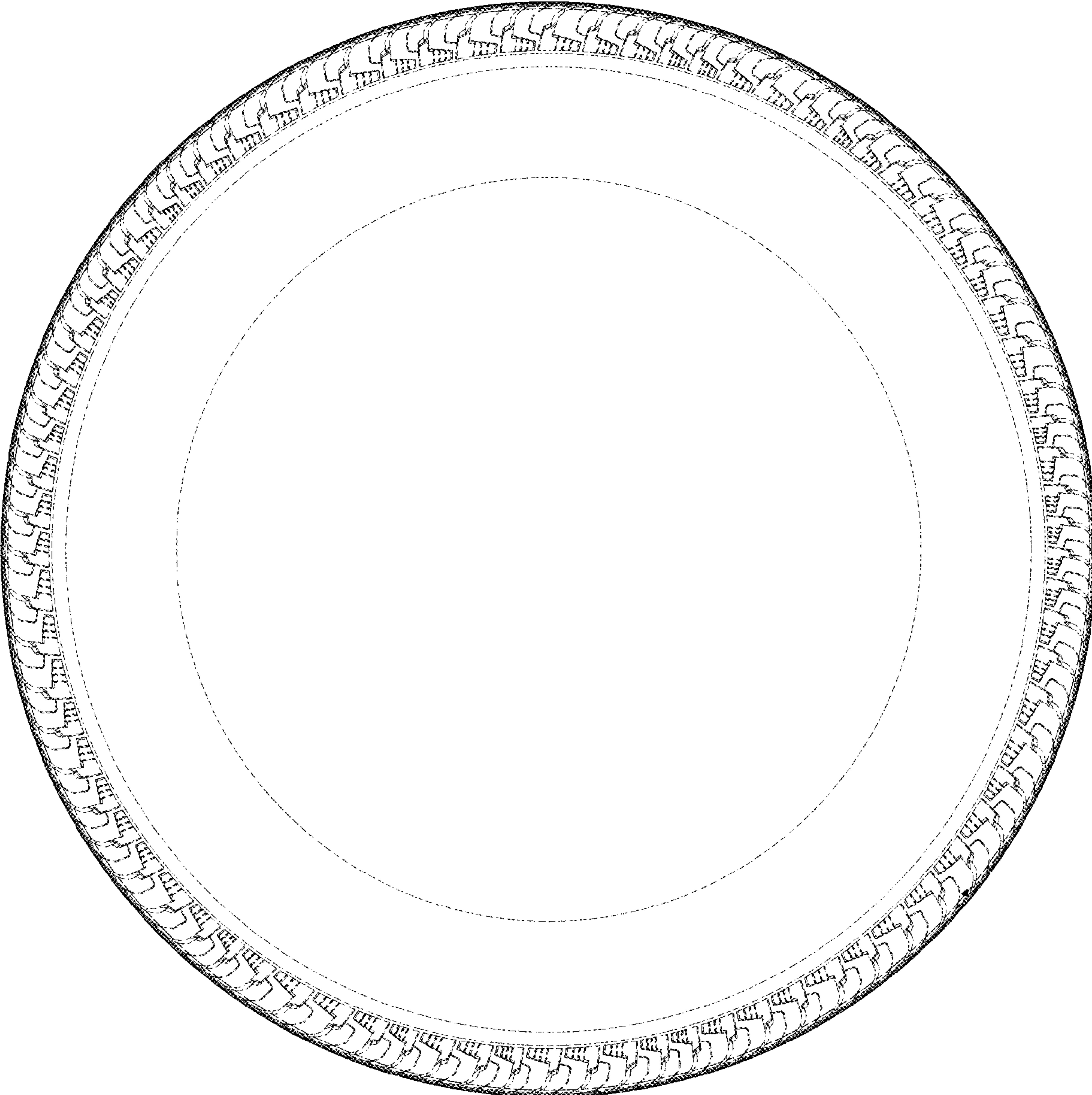


FIG. 4

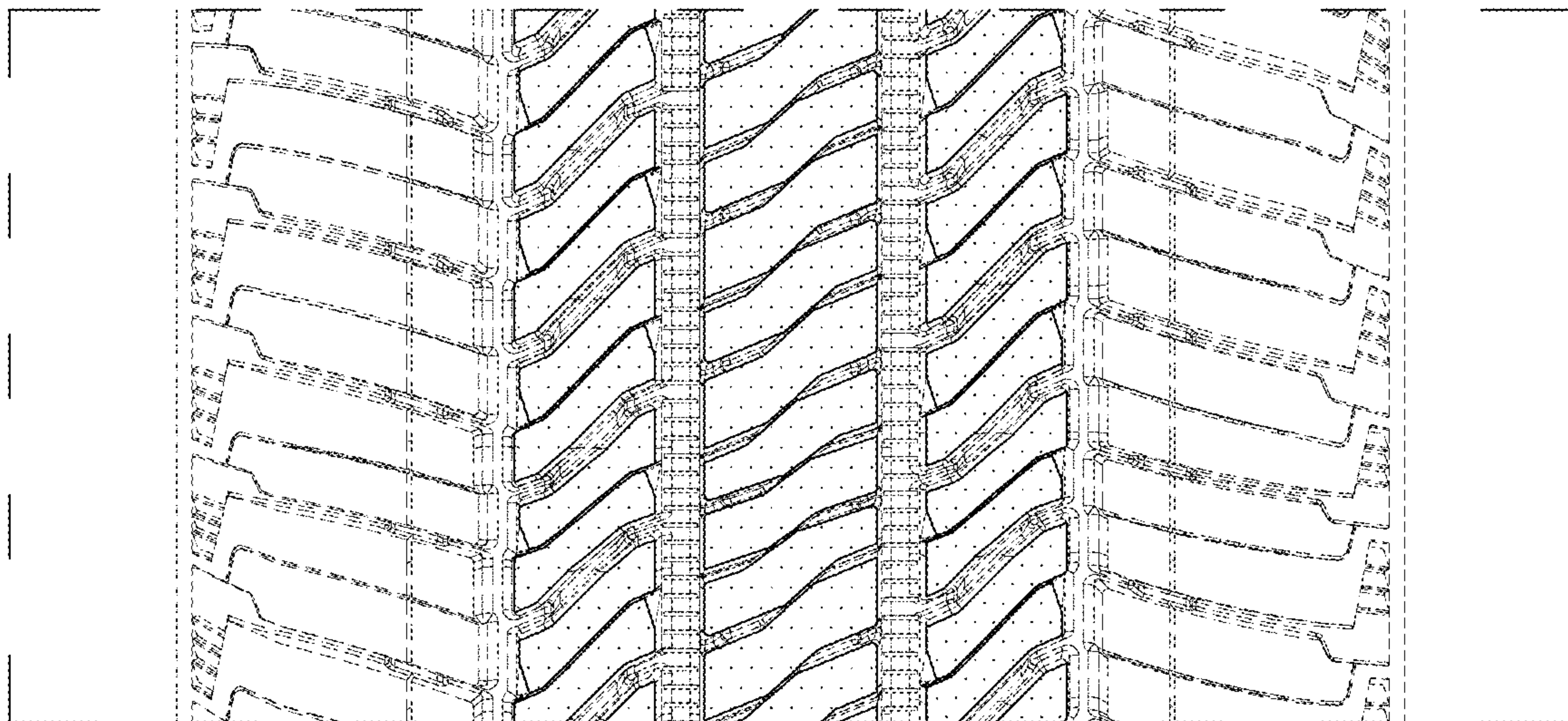


FIG. 5

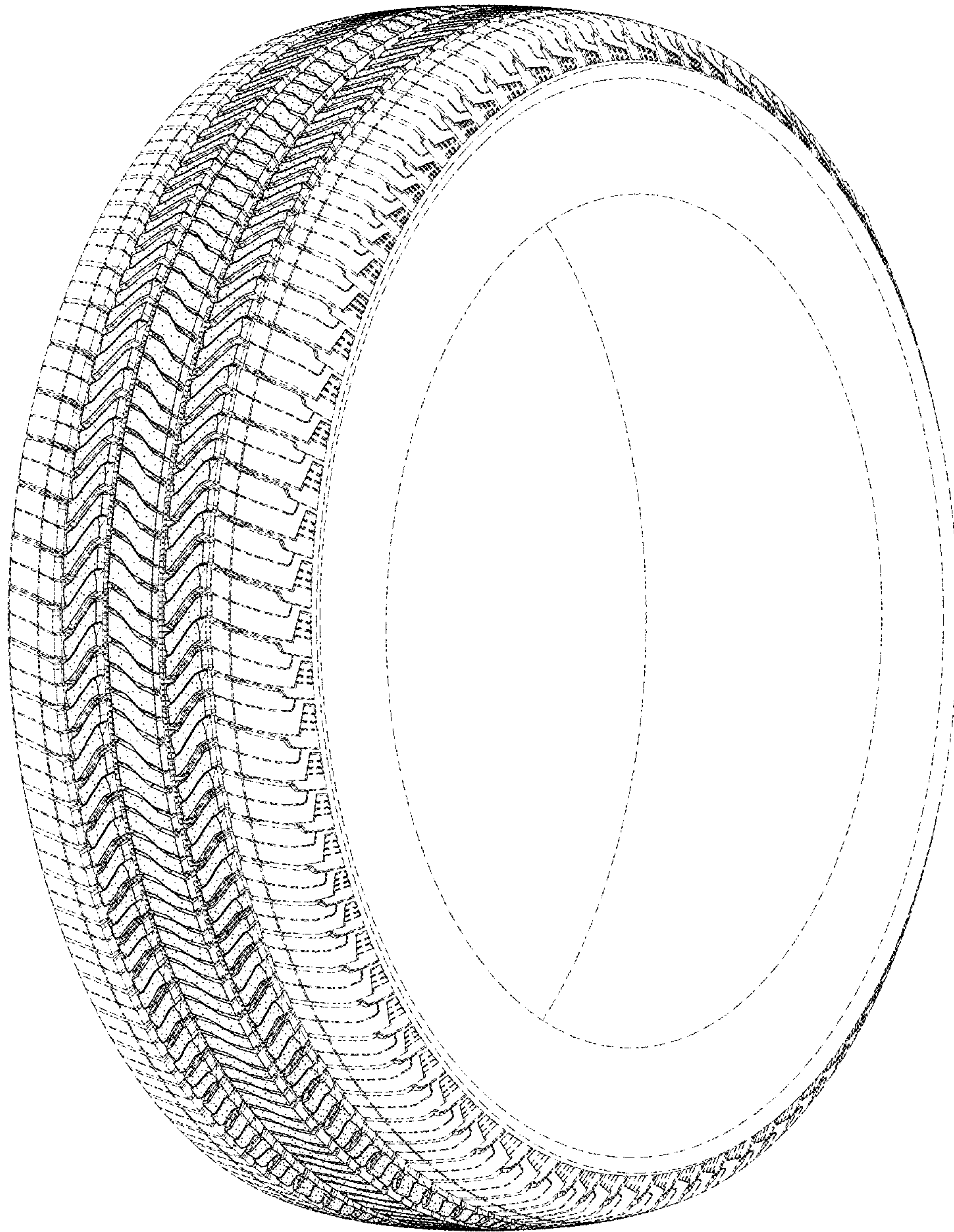


FIG. 6

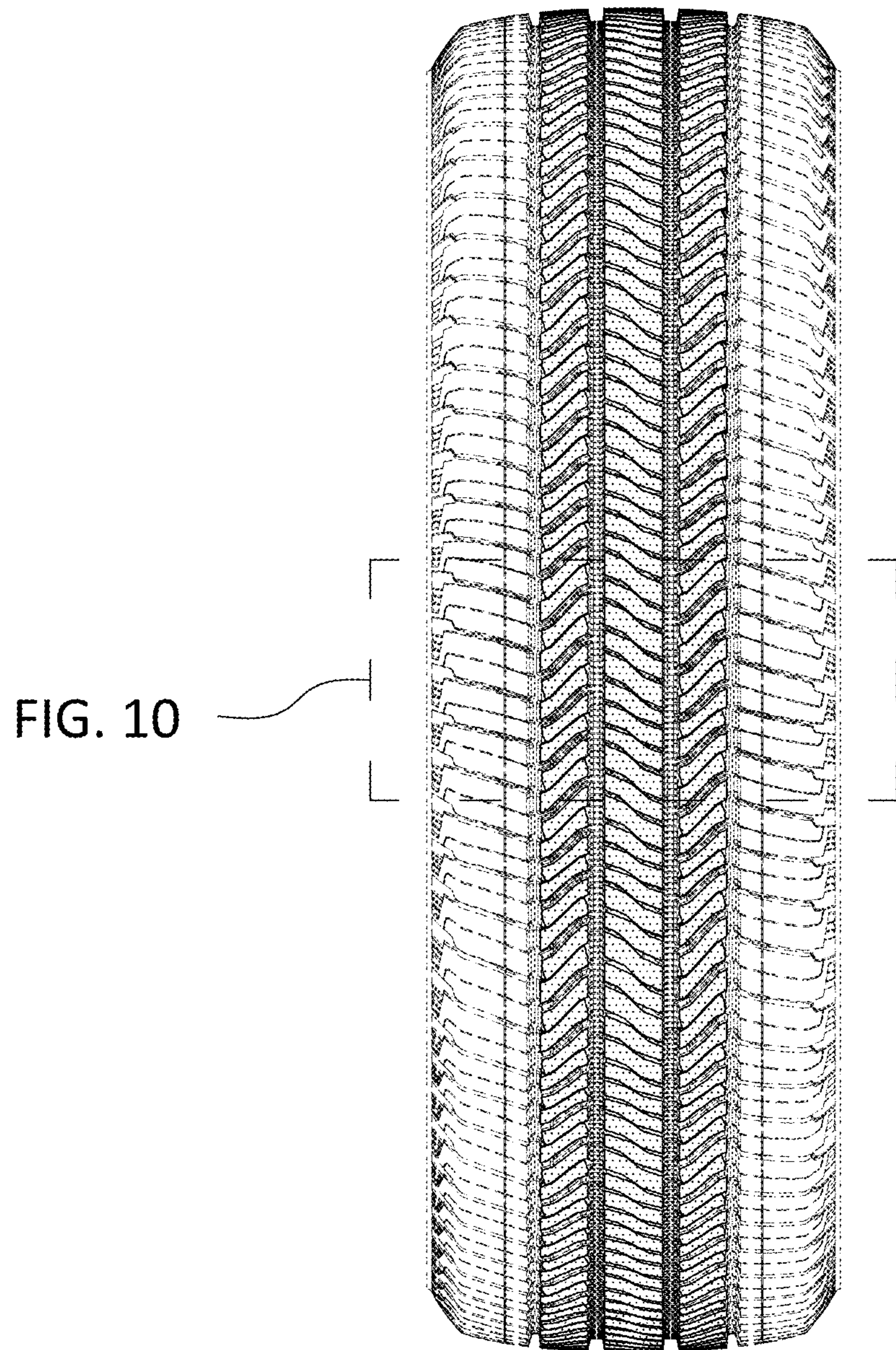


FIG. 10

FIG. 7

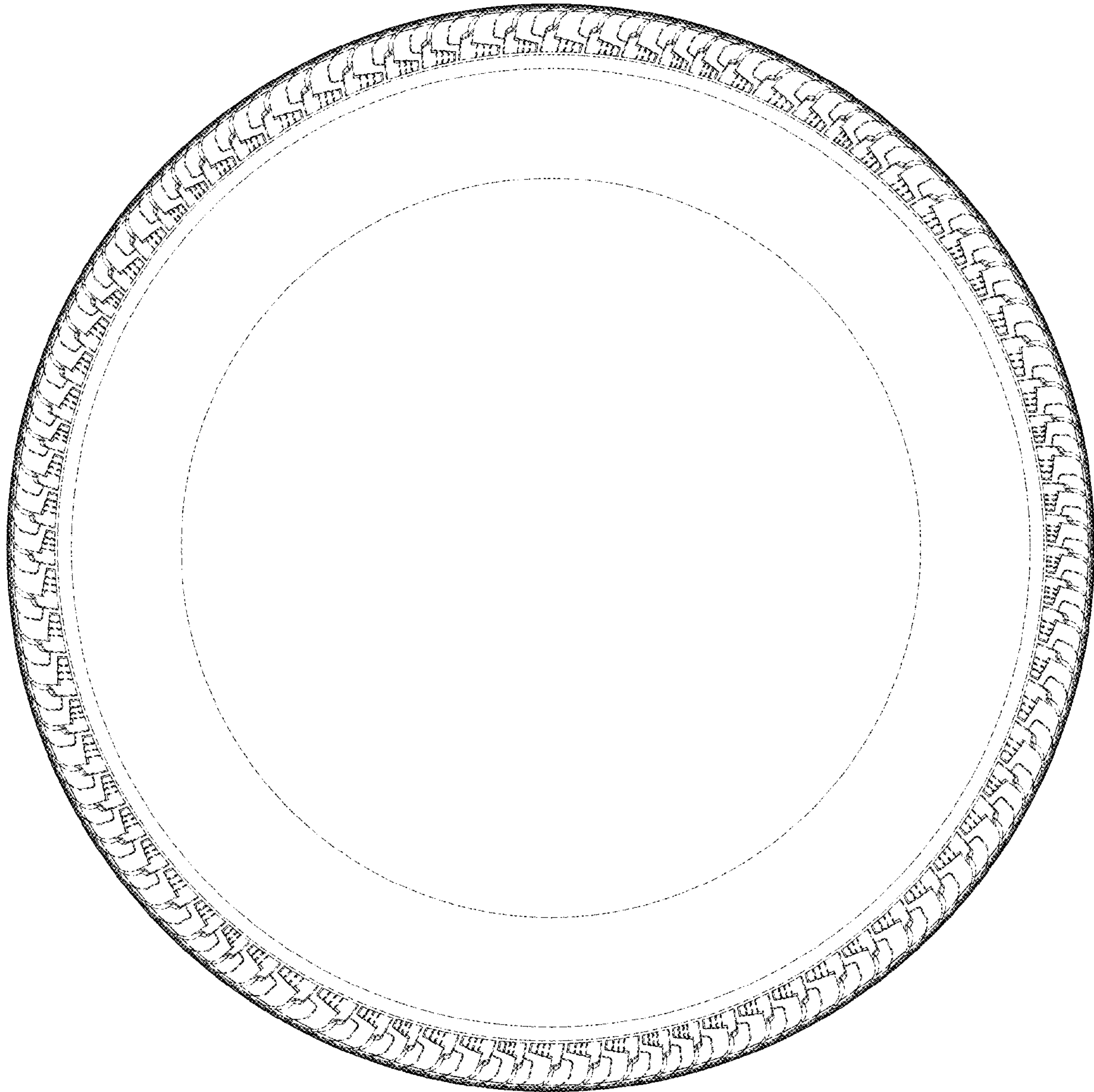


FIG. 8

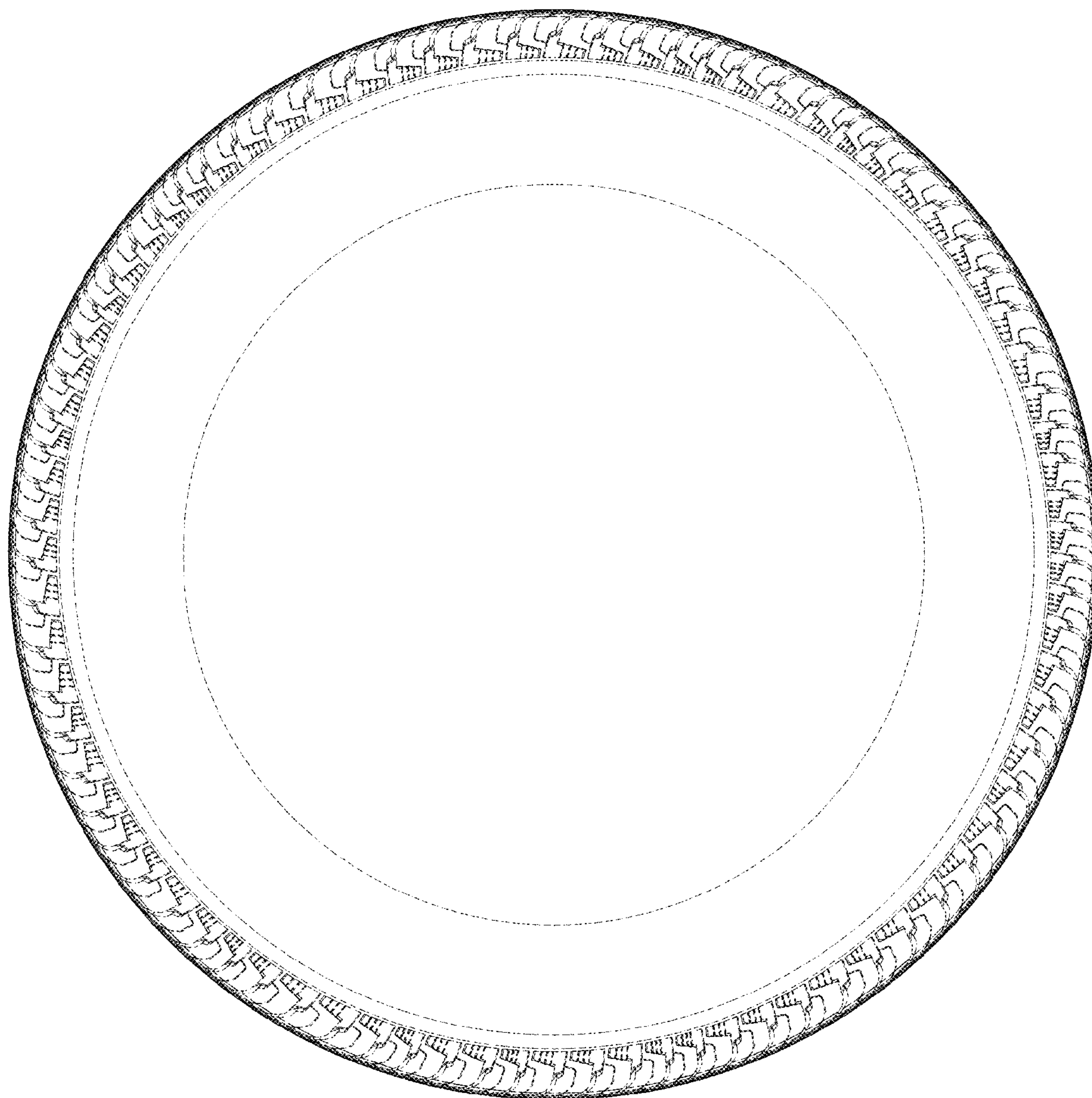


FIG. 9

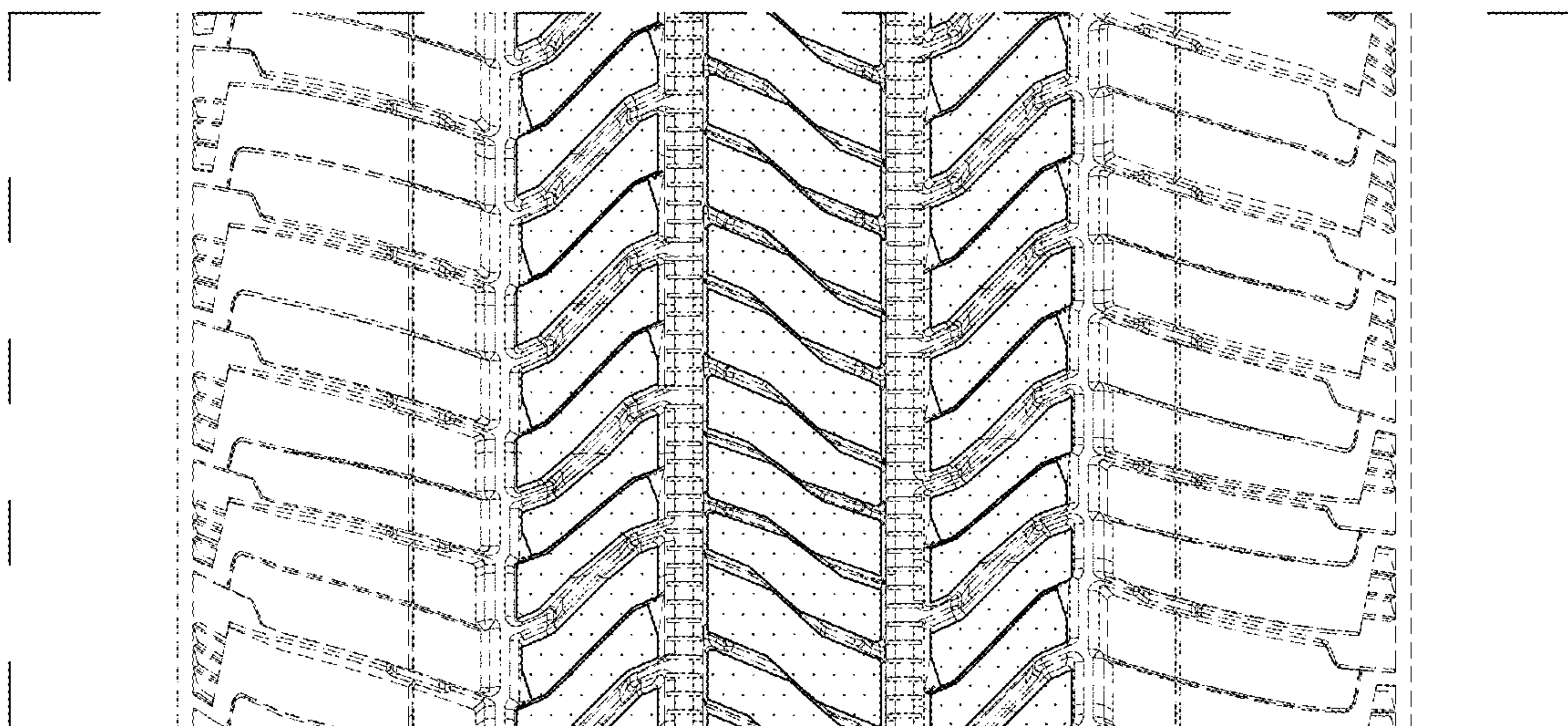


FIG. 10