

US00D932980S

(12) **United States Design Patent** (10) **Patent No.:** **US D932,980 S**  
**Bonan** (45) **Date of Patent:** **\*\* Oct. 12, 2021**

(54) **BOAT**  
(71) Applicant: **DECATHLON**, Villeneuve d'Ascq (FR)  
(72) Inventor: **Anne-Laure Bonan**, Bayonne (FR)  
(73) Assignee: **DECATHLON**, Villeneuve d'Ascq (FR)  
(\*\*) Term: **15 Years**

4,345,535 A \* 8/1982 Ross ..... B63B 15/02  
114/102.16  
4,917,035 A \* 4/1990 Thomson ..... B63B 34/00  
114/63  
D373,156 S \* 8/1996 Kirby ..... D21/544  
9,611,015 B1 \* 4/2017 Borg ..... B63B 32/20  
(Continued)

(21) Appl. No.: **29/709,114**  
(22) Filed: **Oct. 11, 2019**

**FOREIGN PATENT DOCUMENTS**

GB 2527826 A \* 1/2016 ..... B63H 9/04  
WO WO-2013057395 A1 \* 4/2013 ..... B63B 15/02

(30) **Foreign Application Priority Data**

Apr. 12, 2019 (EM) ..... 006375952

**OTHER PUBLICATIONS**

Decathlon inflatable dinghy, Published on Jul. 22, 2019 [online].  
[retrieved on Dec. 30, 2020]. Retrieved from the Internet: [https://www.youtube.com/watch?v=r\\_ZeMwQ8pU8](https://www.youtube.com/watch?v=r_ZeMwQ8pU8) (Year: 2019).\*

(51) **LOC (13) Cl.** ..... **12-06**  
(52) **U.S. Cl.**  
USPC ..... **D12/303**

(Continued)

(58) **Field of Classification Search**  
USPC ..... D12/300, 302, 303, 304, 306, 307, 310,  
D12/311, 312, 313, 314, 316, 318, 400;  
D21/542, 760, 769, 801, 802, 803  
CPC ..... B63B 32/00; B63B 32/40; B63B 32/51;  
B63B 32/56; B63B 34/00; B63B 34/22;  
B63B 34/23; B63B 2035/002; B63B  
2035/009; B63B 7/00; B63B 7/04; B63B  
7/06; B63B 7/08; B63B 35/00; B63B  
2007/003; B63H 7/00; B63H 9/04  
See application file for complete search history.

*Primary Examiner* — Christian P. McLean  
*Assistant Examiner* — Adam C Mager  
(74) *Attorney, Agent, or Firm* — Fross, Zelnick, Lehrman  
& Zissu, PC; Charles T. J. Weigell, Esq.

(56) **References Cited**

**U.S. PATENT DOCUMENTS**

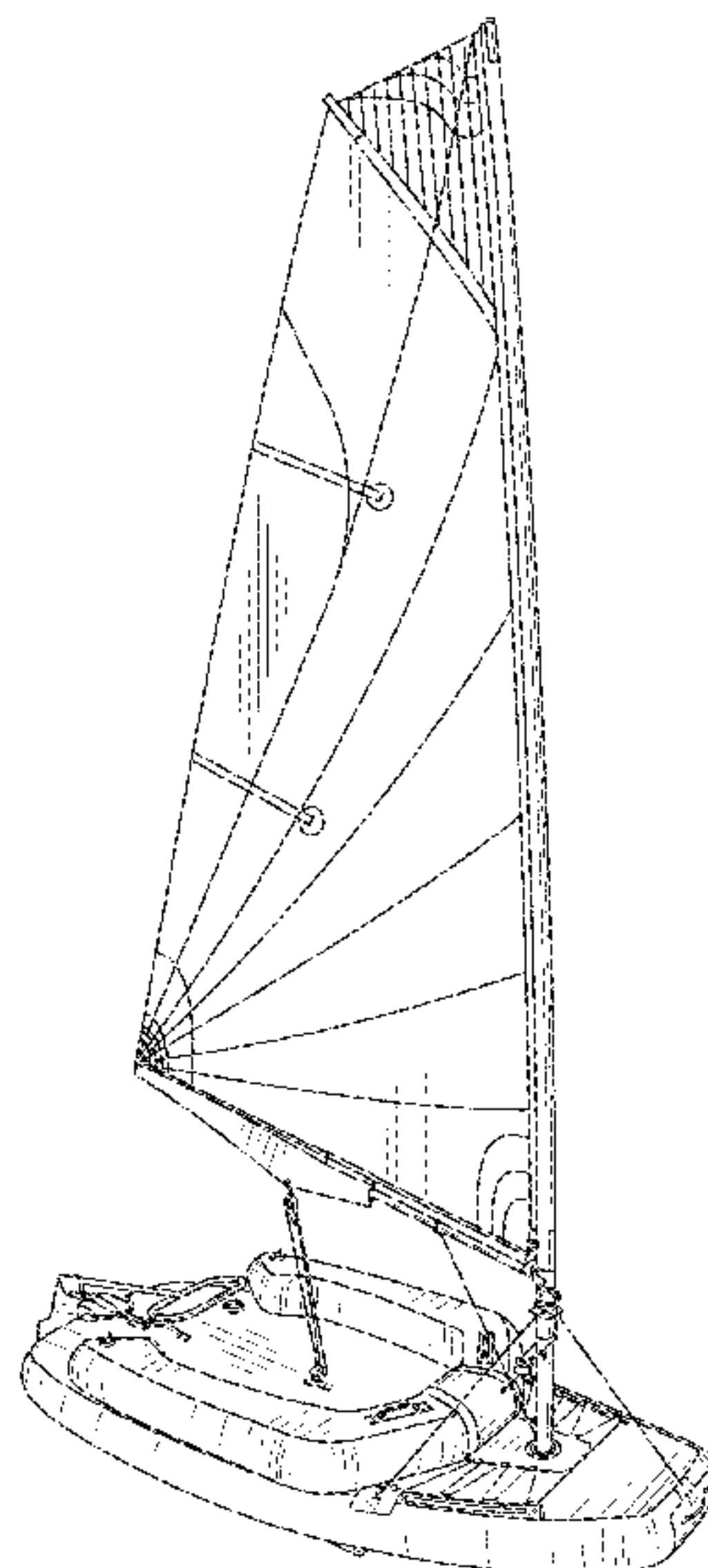
3,150,385 A \* 9/1964 Gerber ..... B63B 3/08  
114/352  
D206,775 S \* 1/1967 Pyle ..... D12/303  
3,871,322 A \* 3/1975 Dodge ..... B63B 41/00  
114/127

(57) **CLAIM**  
The ornamental design for a boat, as shown and described.

**DESCRIPTION**

FIG. 1 is a right perspective view of a boat showing my new design;  
FIG. 2 is a front view thereof;  
FIG. 3 is a rear view thereof;  
FIG. 4 is a left side view thereof;  
FIG. 5 is a right side view thereof;  
FIG. 6 is a top view thereof; and,  
FIG. 7 is a bottom view thereof.  
The dashed lines in the drawings represent stitching that forms no part of the claimed design.

**1 Claim, 7 Drawing Sheets**



(56)

**References Cited**

U.S. PATENT DOCUMENTS

2017/0036742 A1\* 2/2017 Hall ..... B63B 32/51  
2019/0176935 A1\* 6/2019 Schmidt ..... B63H 9/08  
2019/0263475 A1\* 8/2019 Cooper ..... B63B 7/082  
2020/0369344 A1\* 11/2020 Huang ..... B63H 16/10

OTHER PUBLICATIONS

Decathlon, "Itiwit X100, 11' Inflatable Touring Stand-Up Paddle Board," design available as of at least Apr. 30, 2019, accessed from the Internet on Apr. 23, 2021, Available at <URL: [https://www.decathlon.com/products/stand-up-paddle-board-beginner-inflatable-touring-11-feet?adept-product=stand-up-paddle-board-beginner-inflatable-touring-11-feet&variant=19061761900606&adept\\_product\\_id=stand-up-paddle-beginner-inflatable-touring-11-feet&source=search](https://www.decathlon.com/products/stand-up-paddle-board-beginner-inflatable-touring-11-feet?adept-product=stand-up-paddle-board-beginner-inflatable-touring-11-feet&variant=19061761900606&adept_product_id=stand-up-paddle-beginner-inflatable-touring-11-feet&source=search)>.

\* cited by examiner

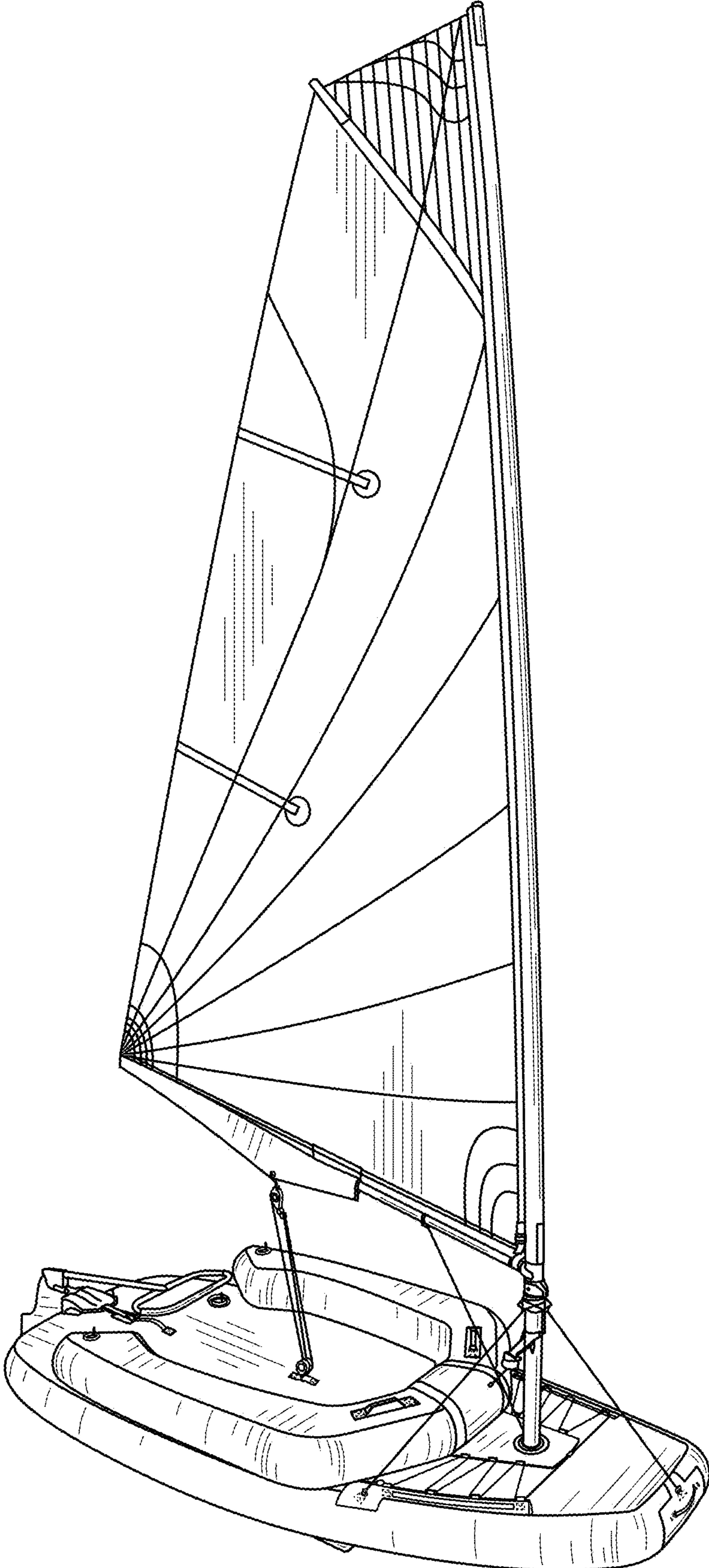


FIG. 1

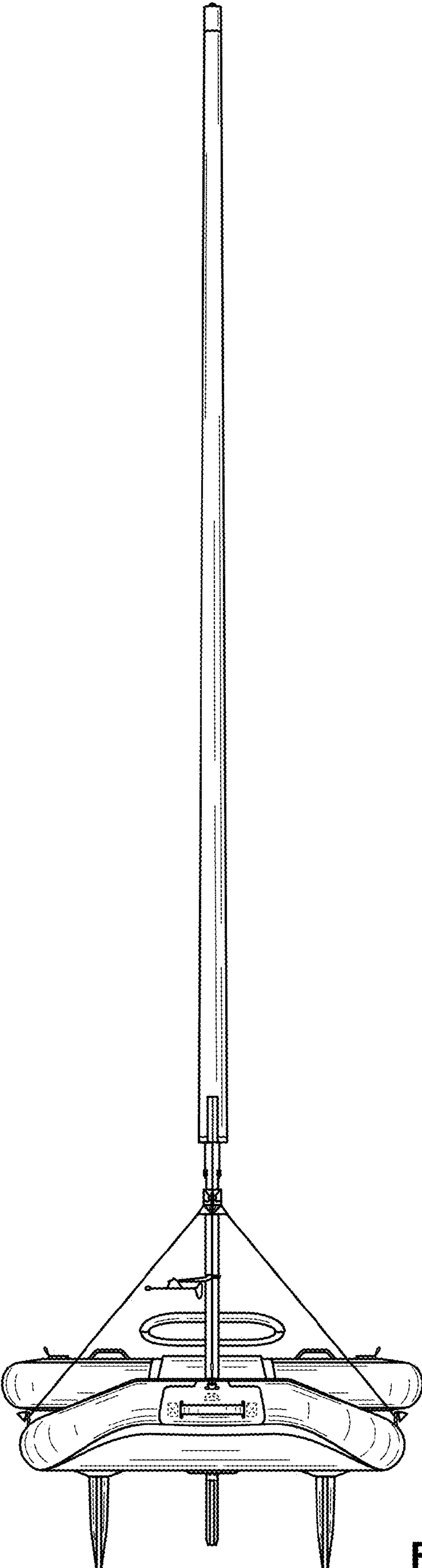


FIG. 2

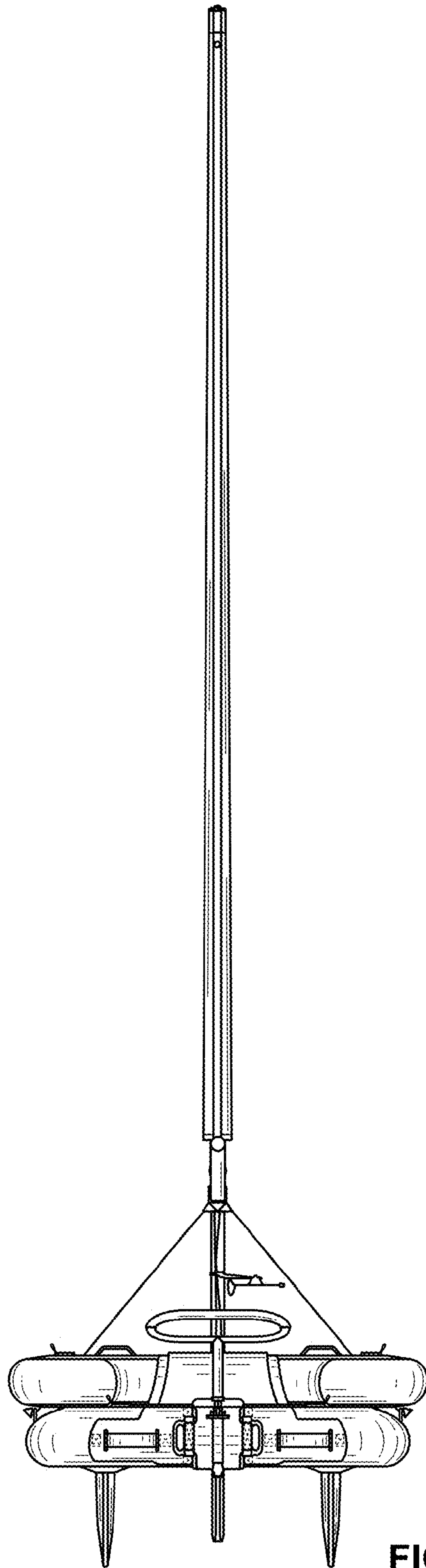


FIG. 3



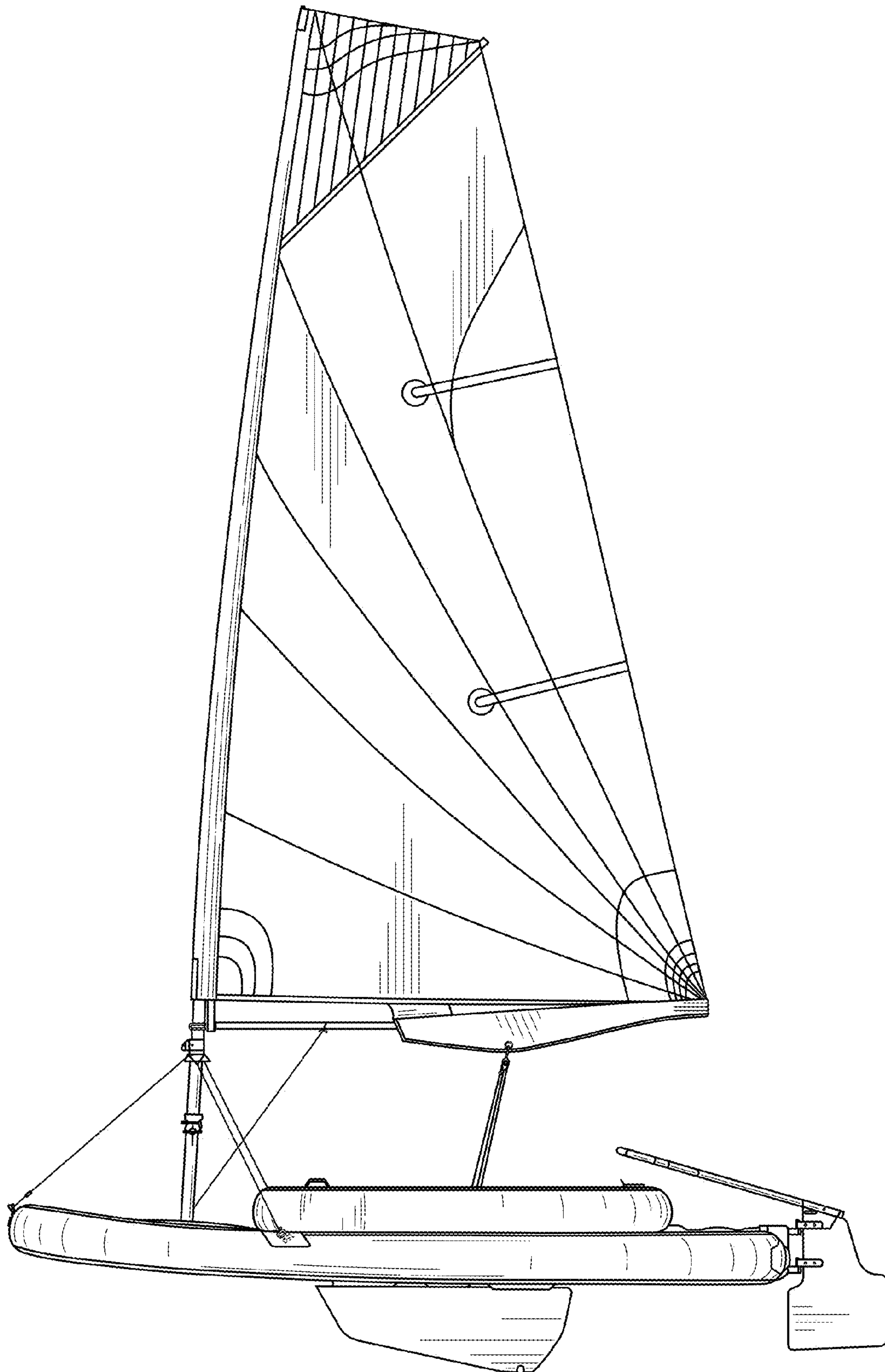


FIG. 4

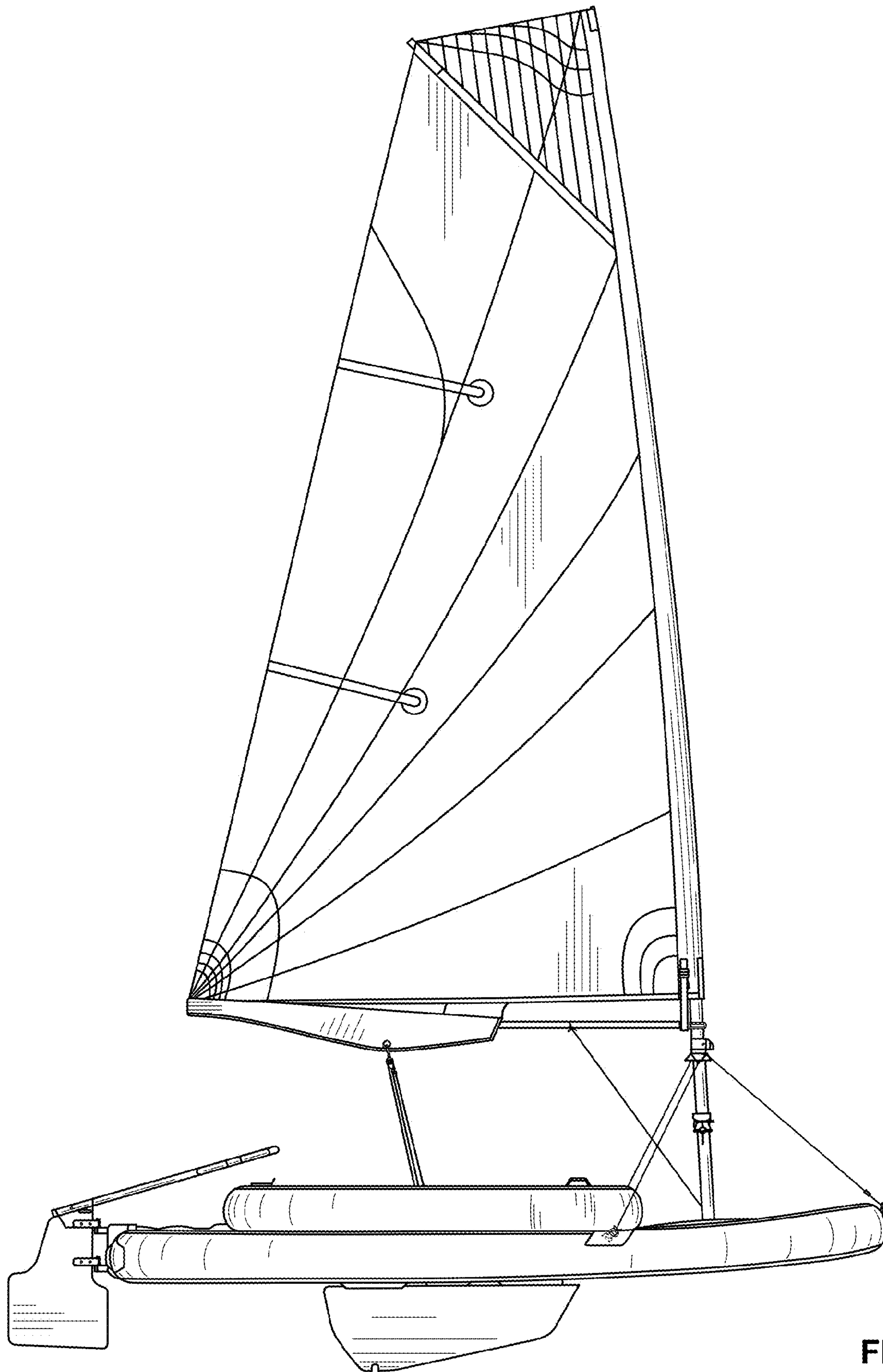


FIG. 5

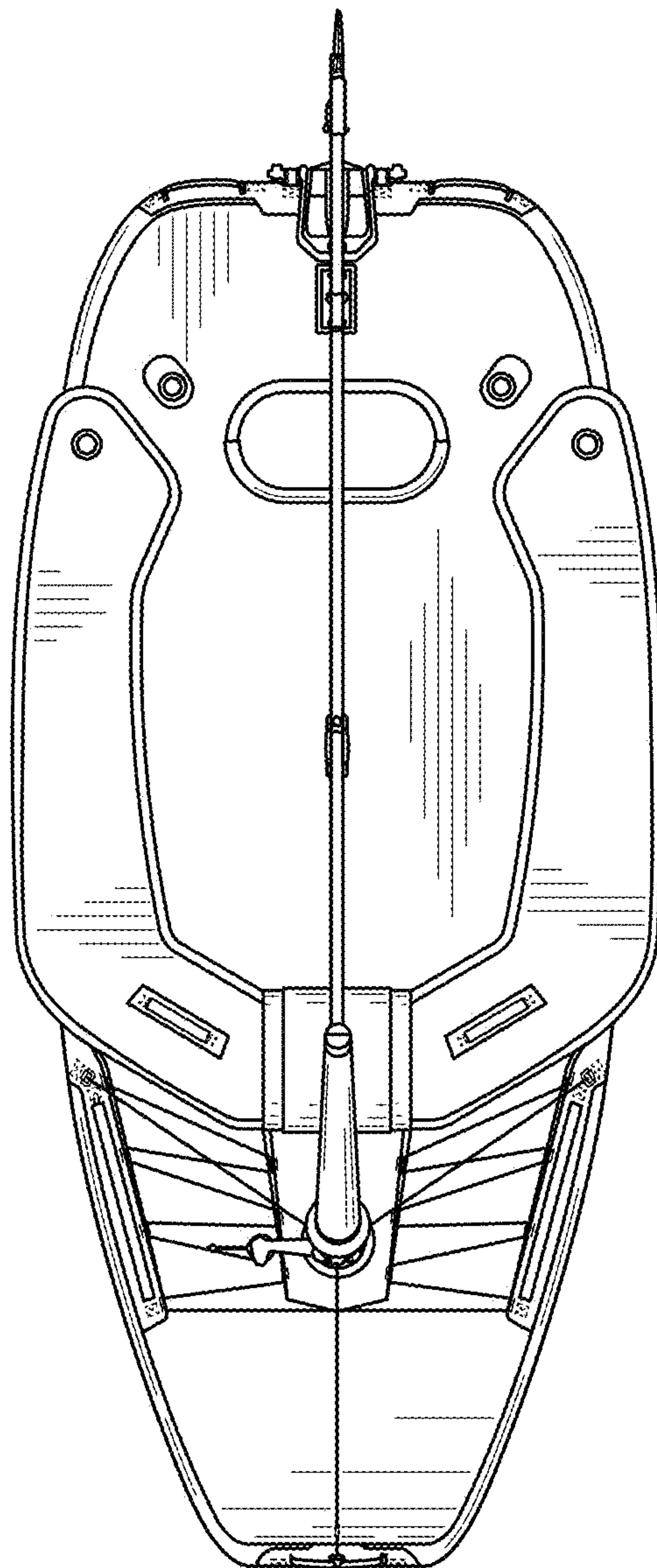


FIG. 6



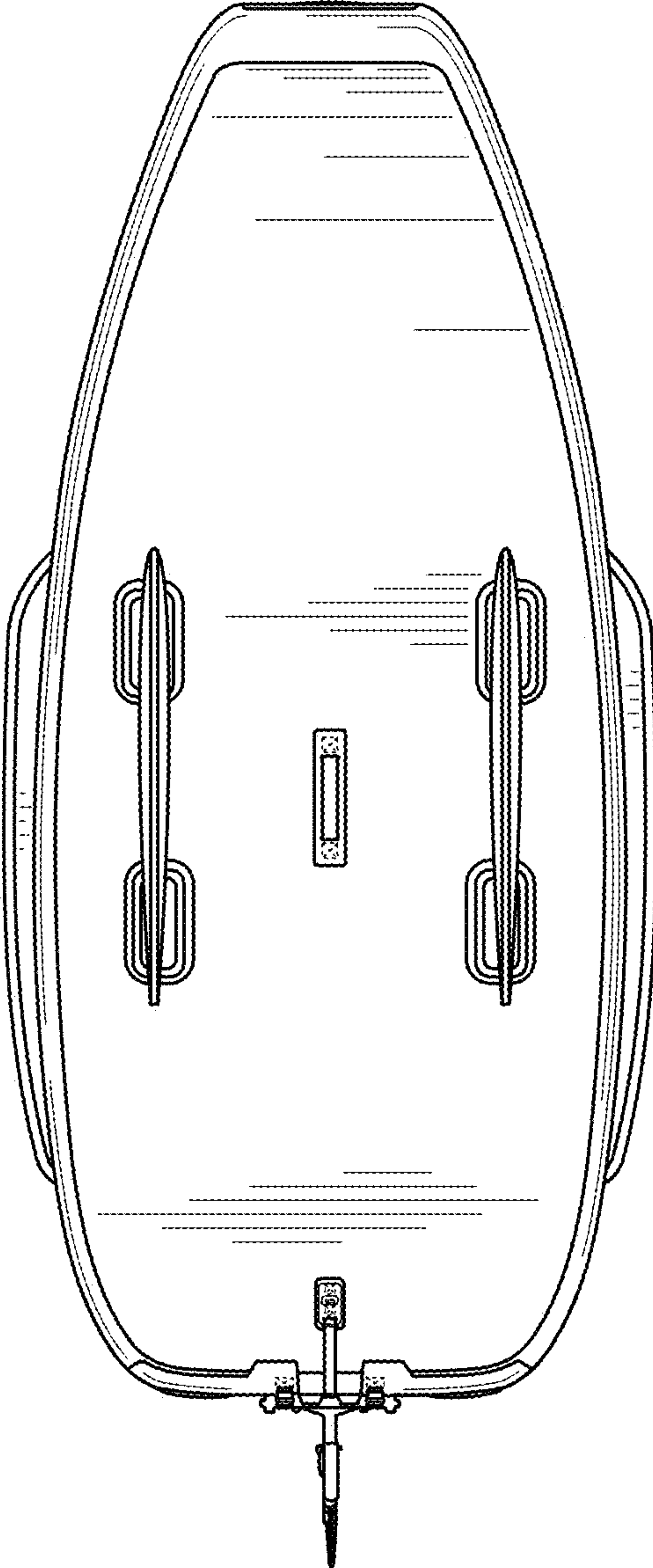


FIG. 7