



US00D932976S

(12) **United States Design Patent**
O'Neill

(10) **Patent No.:** **US D932,976 S**

(45) **Date of Patent:** **** Oct. 12, 2021**

(54) **VEHICLE WHEEL**

(71) Applicant: **JAGUAR LAND ROVER LIMITED,**
Coventry (GB)

(72) Inventor: **Michael O'Neill,** Coventry (GB)

(73) Assignee: **JAGUAR LAND ROVER LIMITED,**
Coventry (GB)

(**) Term: **15 Years**

(21) Appl. No.: **29/745,468**

(22) Filed: **Aug. 6, 2020**

(30) **Foreign Application Priority Data**

Feb. 6, 2020 (EM) 007667720

(51) **LOC (13) Cl.** **12-16**

(52) **U.S. Cl.**
USPC **D12/209**

(58) **Field of Classification Search**

USPC D12/204-213; D21/563

CPC B60B 7/00; B60B 7/02; B60B 7/04; B60B
7/01; B60B 7/06; B60B 3/02; B60B 3/04;
B60B 3/06; B60B 3/10; B60B 1/00;
B60B 1/08; B60B 1/10; B60B 1/12

See application file for complete search history.

(56) **References Cited**

U.S. PATENT DOCUMENTS

D400,841 S * 11/1998 Sacco D12/209
D445,391 S * 7/2001 Chung D12/209
D455,991 S * 4/2002 Kaucher D12/209

D652,361 S * 1/2012 Forschner D12/209
D685,710 S * 7/2013 Hanaoka D12/209
D763,158 S * 8/2016 Hara D12/209
D792,306 S * 7/2017 Ishigaki D12/209
D828,269 S * 9/2018 Kikuchi D12/209
D860,910 S * 9/2019 Daniel D12/209
D867,957 S * 11/2019 Kato D12/209
D872,674 S * 1/2020 Beaven D12/209
D877,028 S * 3/2020 Kusunoki D12/209
D881,782 S * 4/2020 Tomasson D12/209
D882,483 S * 4/2020 Tomasson D12/209
D897,259 S * 9/2020 Daniel D12/209
D897,261 S * 9/2020 Valencia Pollex D12/209
D903,570 S * 12/2020 Myrberg D12/209

* cited by examiner

Primary Examiner — Stacia A Cadmus

(74) *Attorney, Agent, or Firm* — Reising Ethington P.C.

(57) **CLAIM**

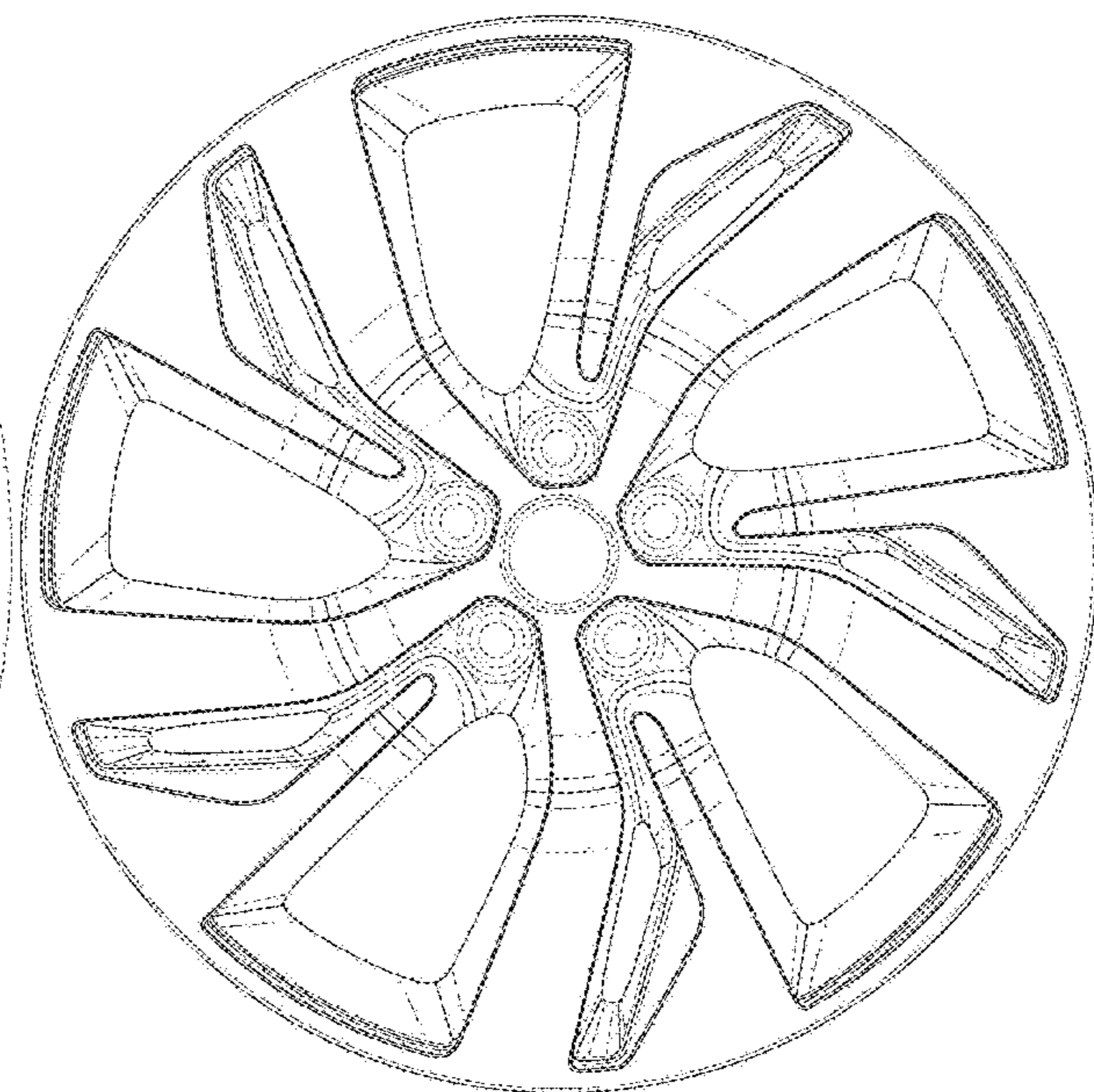
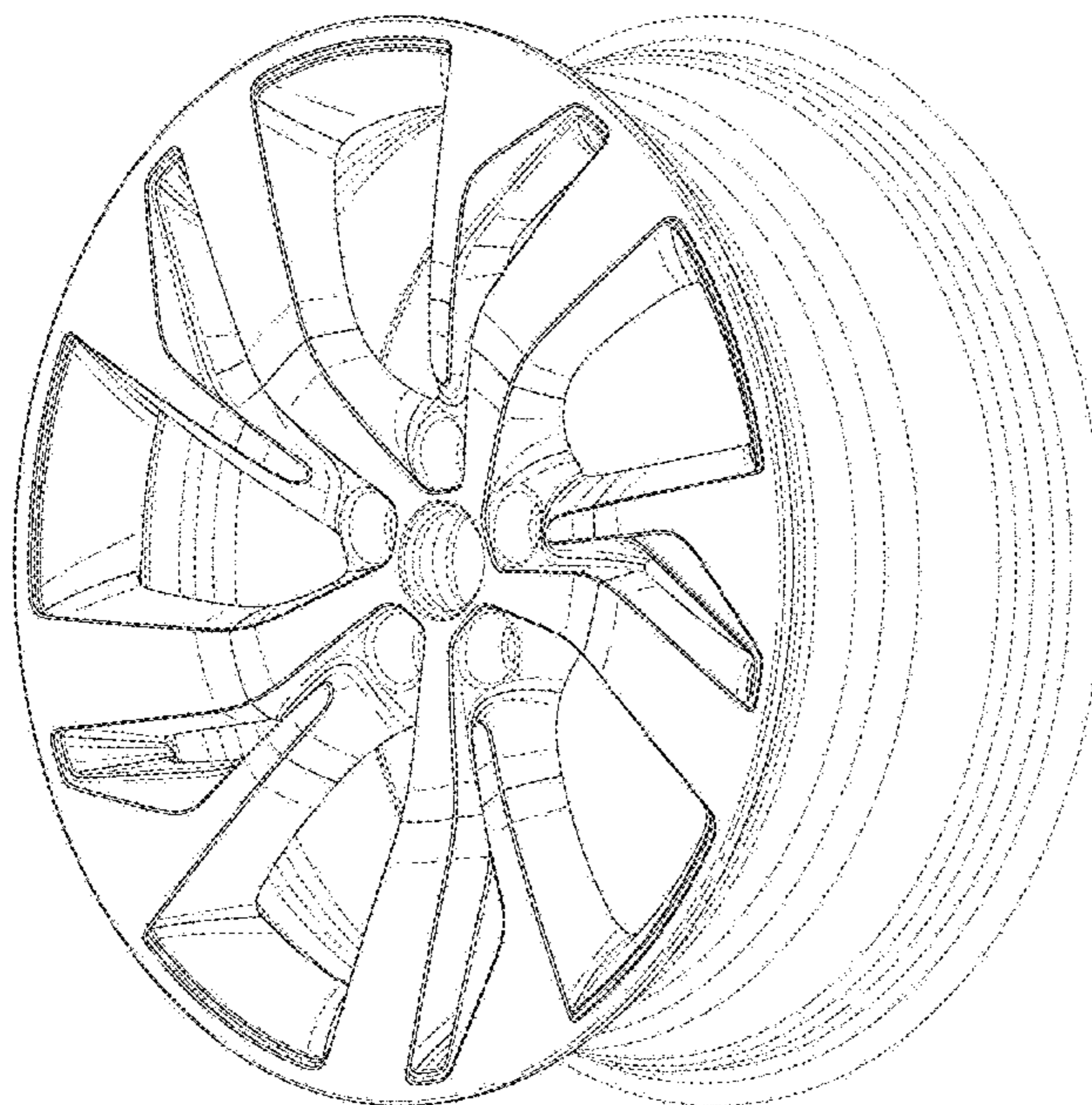
The ornamental design for a vehicle wheel, as shown and described.

DESCRIPTION

FIG. 1 is a frontside perspective view of the vehicle wheel;
FIG. 2 is a rear side perspective view thereof;
FIG. 3 is a front view thereof;
FIG. 4 is a rear view thereof;
FIG. 5 is a left side view thereof;
FIG. 6 is a right side view thereof;
FIG. 7 is a top view thereof; and,
FIG. 8 is a bottom view thereof.

The broken lines shown in the drawings depict portions of the vehicle wheel that form no part of the claimed design.

1 Claim, 8 Drawing Sheets



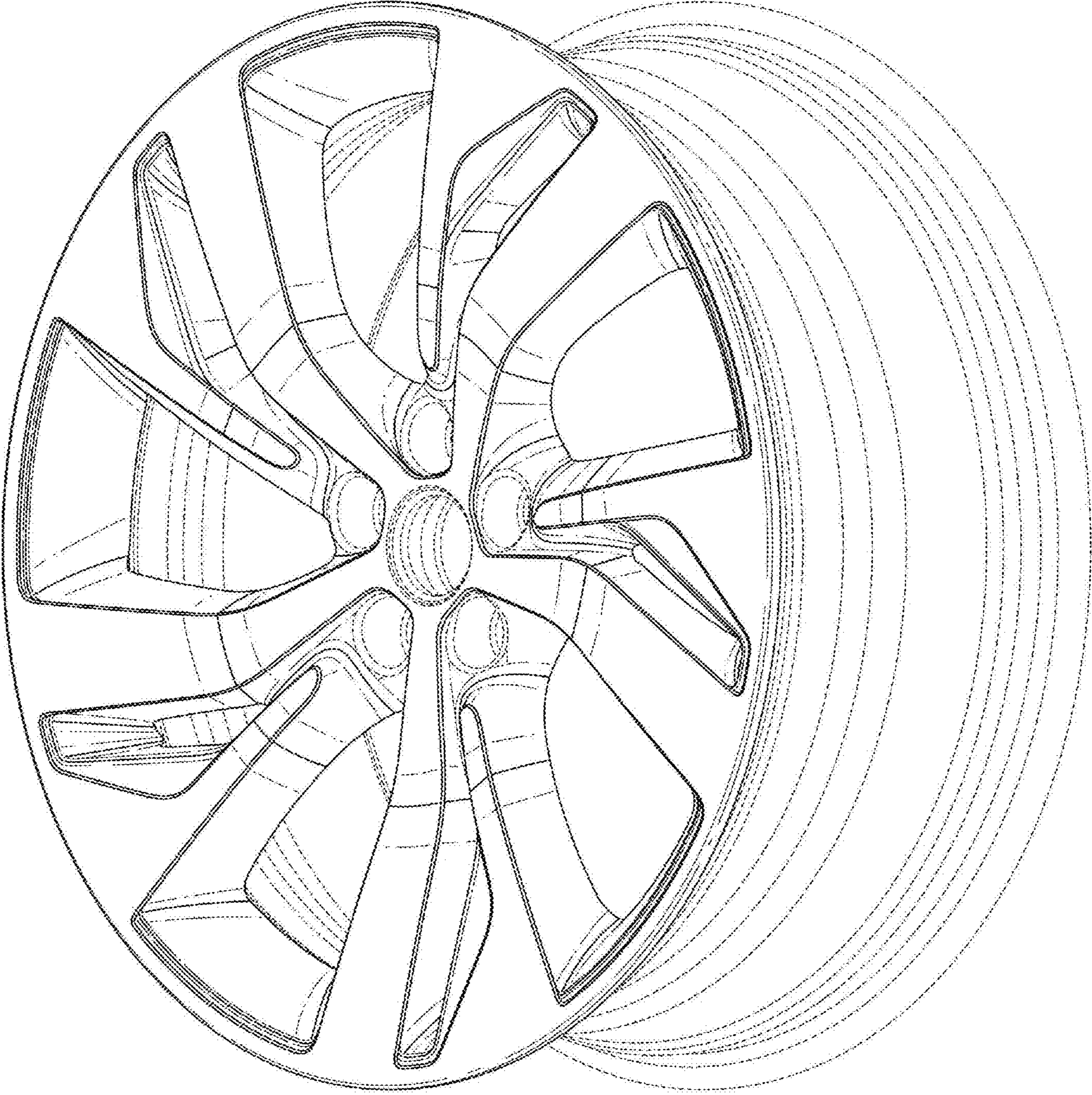


FIG. 1

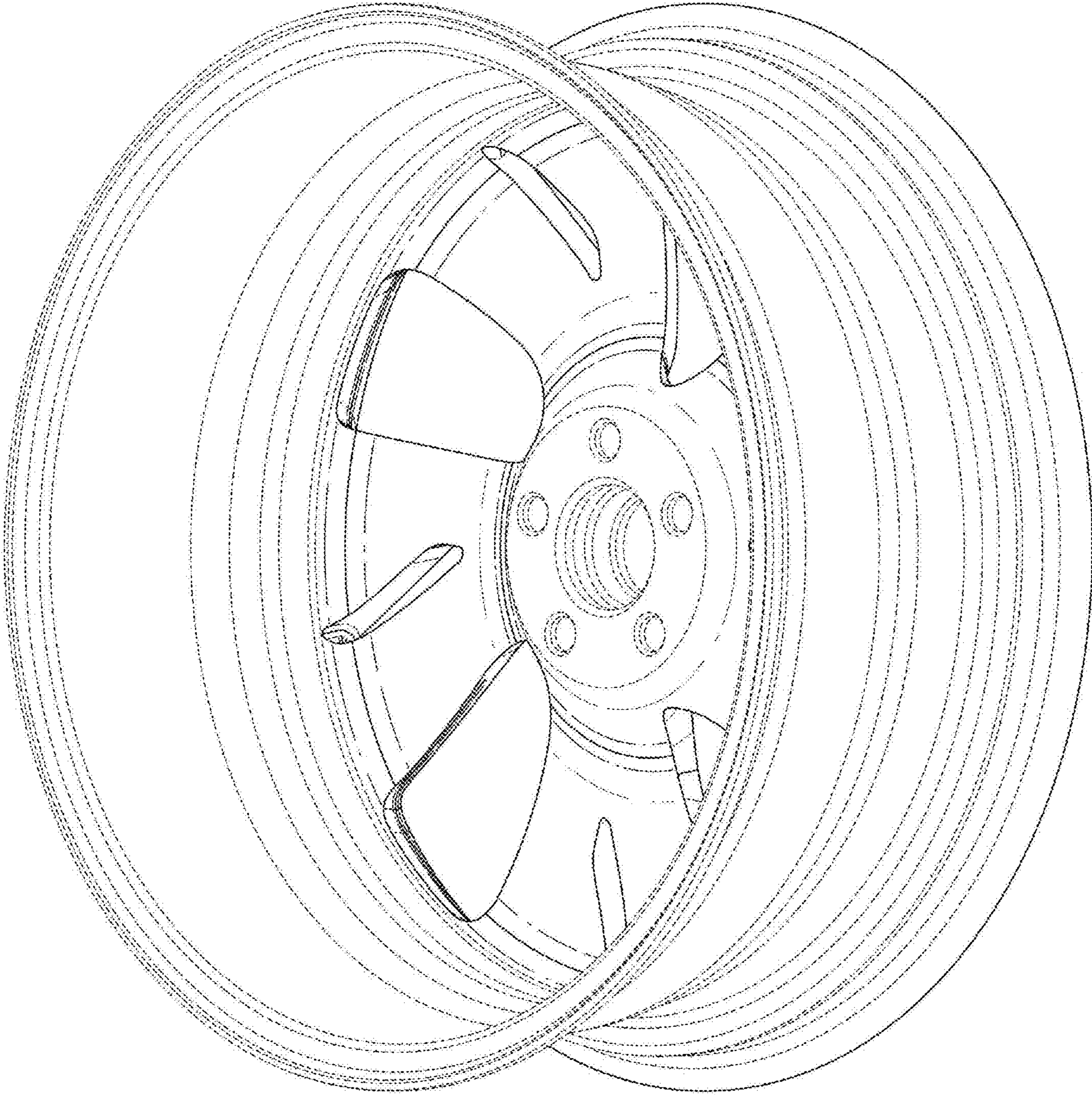


FIG. 2

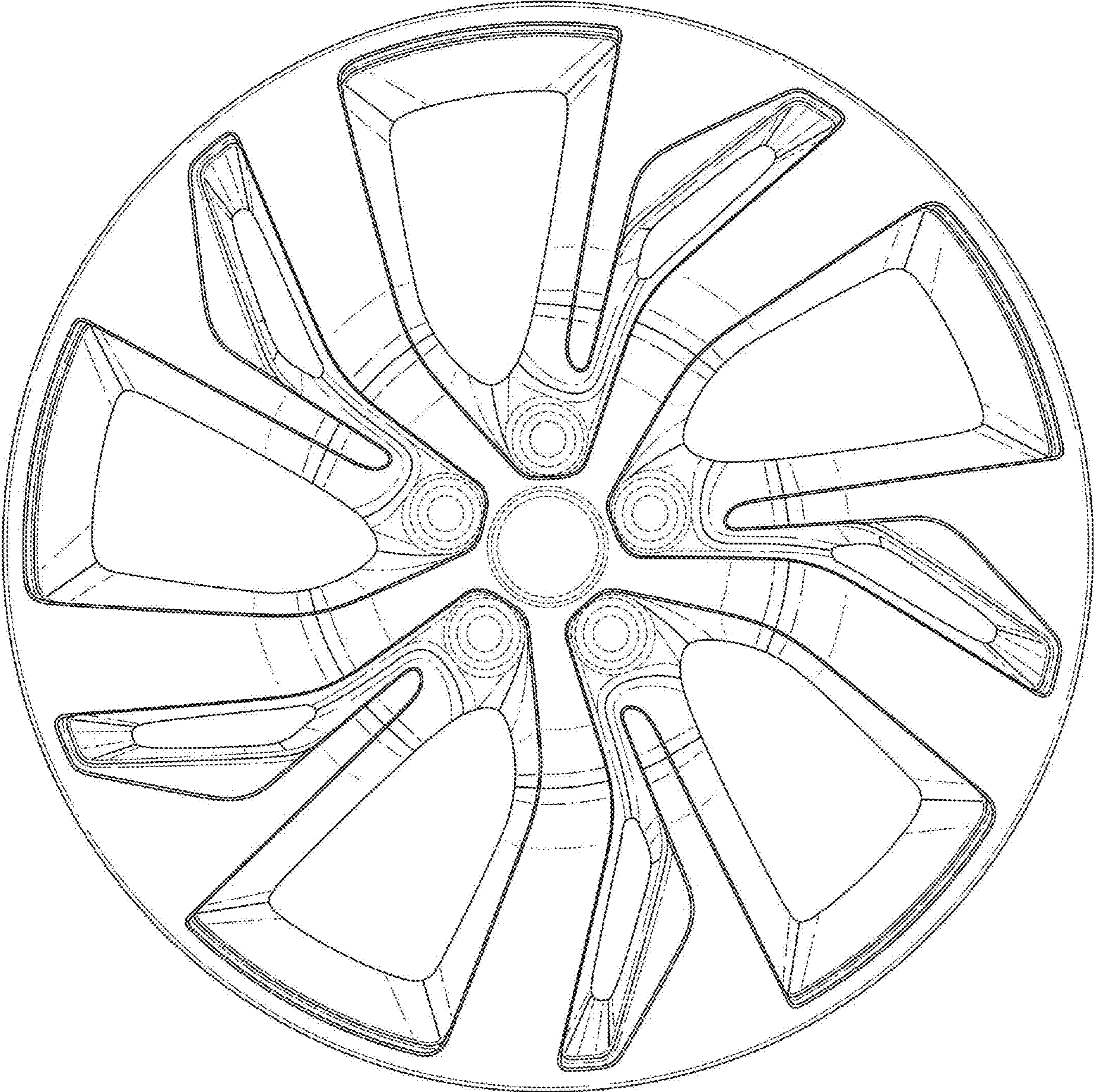


FIG. 3

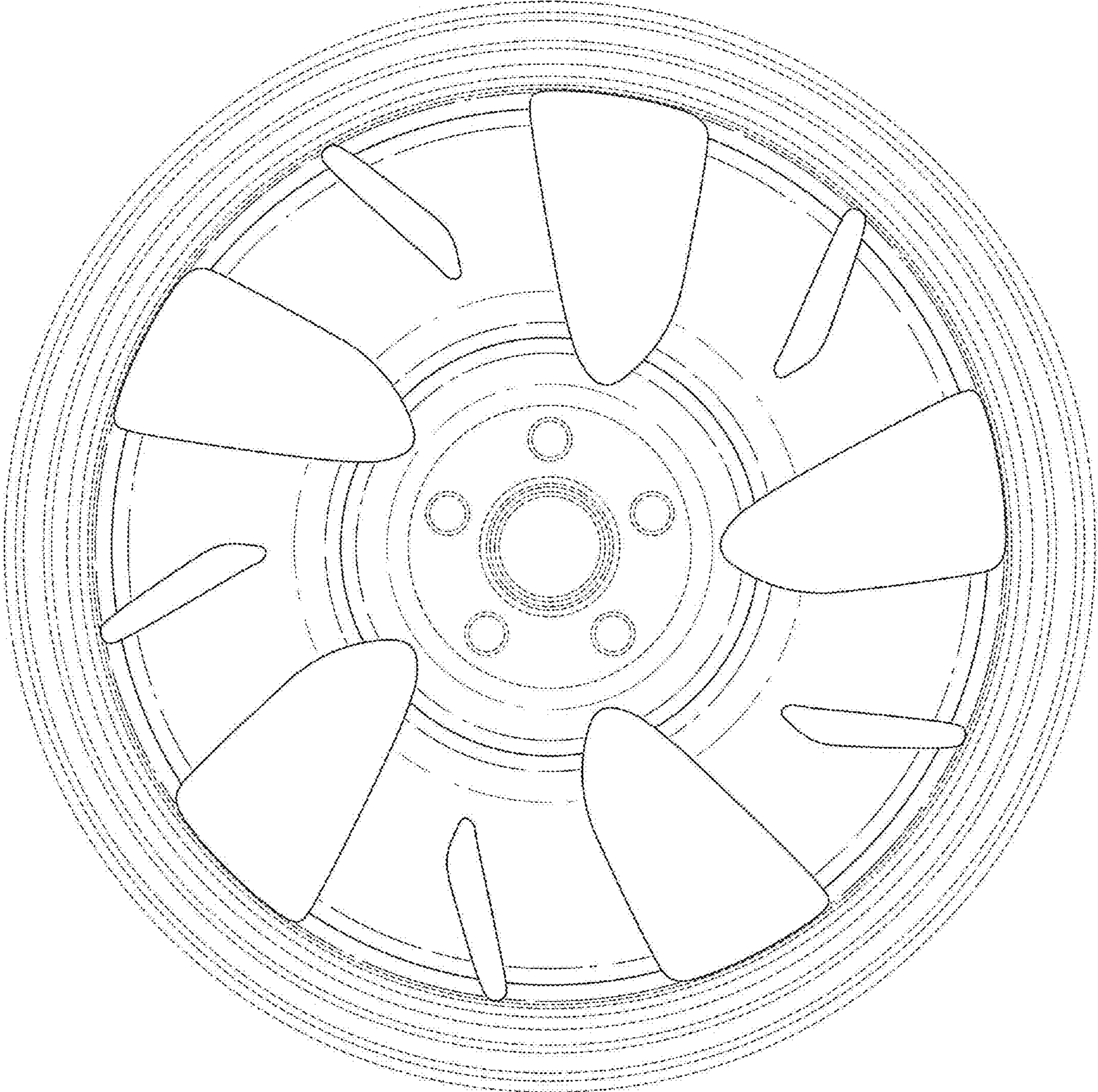


FIG. 4

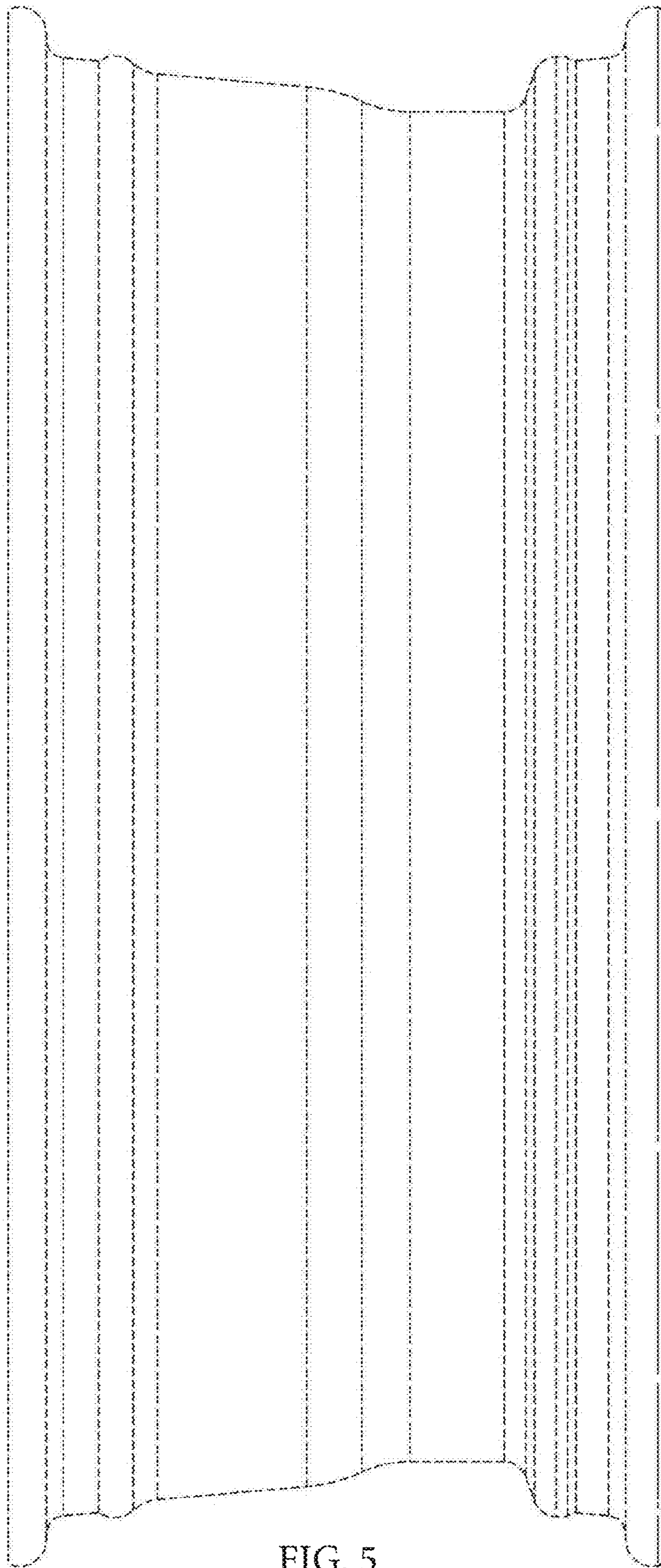


FIG. 5

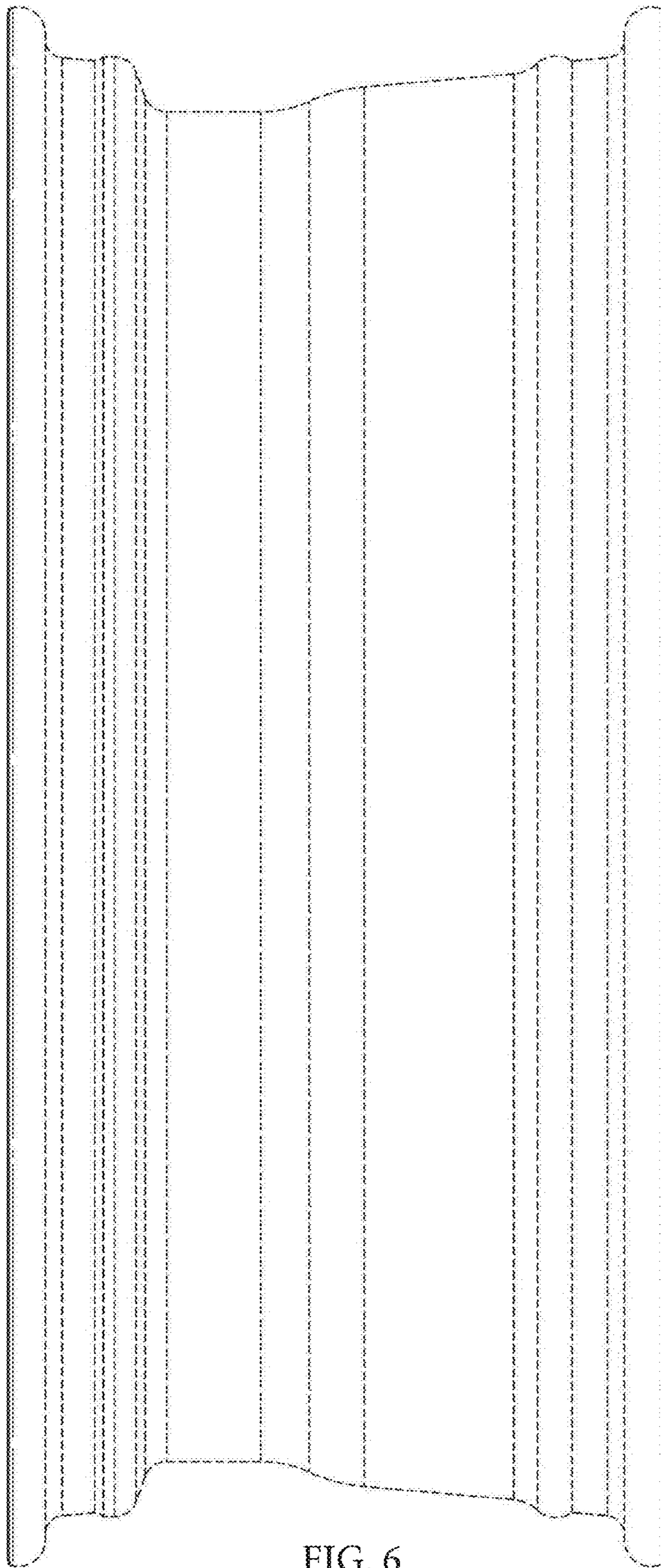


FIG. 6



FIG. 7

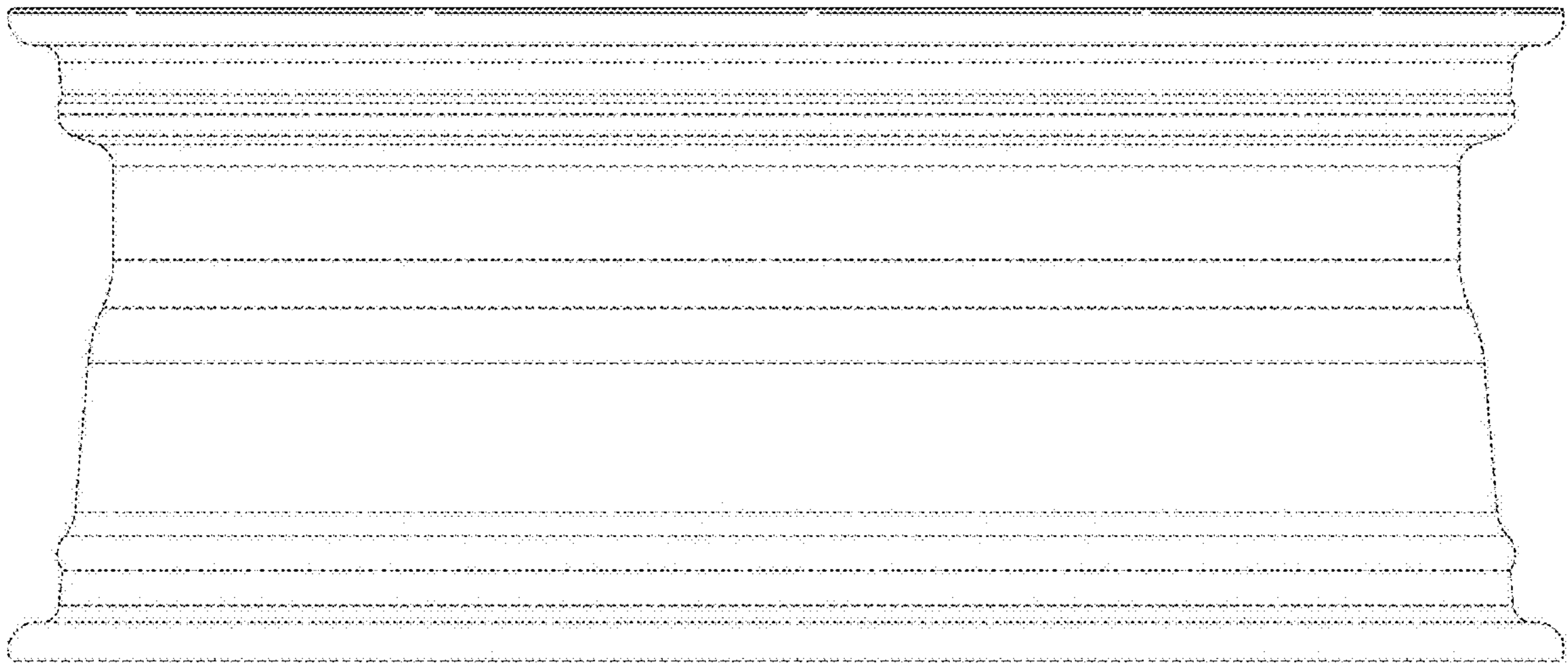


FIG. 8