



US00D932970S

(12) **United States Design Patent**  
**Battams et al.**

(10) **Patent No.:** **US D932,970 S**

(45) **Date of Patent:** **\*\* Oct. 12, 2021**

(54) **WHEEL**

(71) Applicant: **Jaguar Land Rover Limited**, Coventry (GB)

(72) Inventors: **Robert Battams**, Coventry (GB);  
**Massimo Frascella**, Coventry (GB)

(73) Assignee: **Jaguar Land Rover Limited**, Whitley Coventry (GB)

(\*\*) Term: **15 Years**

(21) Appl. No.: **29/673,753**

(22) Filed: **Dec. 18, 2018**

(30) **Foreign Application Priority Data**

Jun. 28, 2018 (EM) ..... 005329182

(51) **LOC (13) Cl.** ..... **12-16**

(52) **U.S. Cl.**  
USPC ..... **D12/209**

(58) **Field of Classification Search**

USPC ..... D12/204–213; D21/563

CPC .... B60B 7/00; B60B 7/02; B60B 7/04; B60B

7/01; B60B 7/06; B60B 3/02; B60B 3/04;

B60B 3/06; B60B 3/10; B60B 1/00;

B60B 1/08; B60B 1/10; B60B 1/12

See application file for complete search history.

(56) **References Cited**

**U.S. PATENT DOCUMENTS**

D590,757 S \* 4/2009 Froehlich ..... D12/209

D614,558 S \* 4/2010 Luciani ..... D12/209

D626,052 S *	10/2010	Majdandzic .....	D12/209
D656,443 S *	3/2012	Fetherston .....	D12/209
D753,043 S *	4/2016	Pollmann .....	D12/209
D757,624 S *	5/2016	Hammoud .....	D12/209
D766,153 S *	9/2016	Wheel .....	D12/209
D784,233 S *	4/2017	Hejtmanek .....	D12/209
D832,762 S *	11/2018	Austin .....	D12/209
D849,651 S *	5/2019	Lee .....	D12/209
D852,109 S *	6/2019	Austin .....	D12/209
D887,935 S *	6/2020	Yeh .....	D12/209
D889,347 S *	7/2020	Smith .....	D12/209
D894,811 S *	9/2020	Valencia Pollex .....	D12/209
D895,507 S *	9/2020	Wang .....	D12/209
D895,508 S *	9/2020	Wang .....	D12/209
D895,509 S *	9/2020	Han .....	D12/209
D899,336 S *	10/2020	Okaji .....	D12/209
D899,994 S *	10/2020	Melikian .....	D12/209

\* cited by examiner

*Primary Examiner* — Stacia A Cadmus

(74) *Attorney, Agent, or Firm* — Wood Herron & Evans LLP

(57) **CLAIM**

The ornamental design for a wheel, as shown and described.

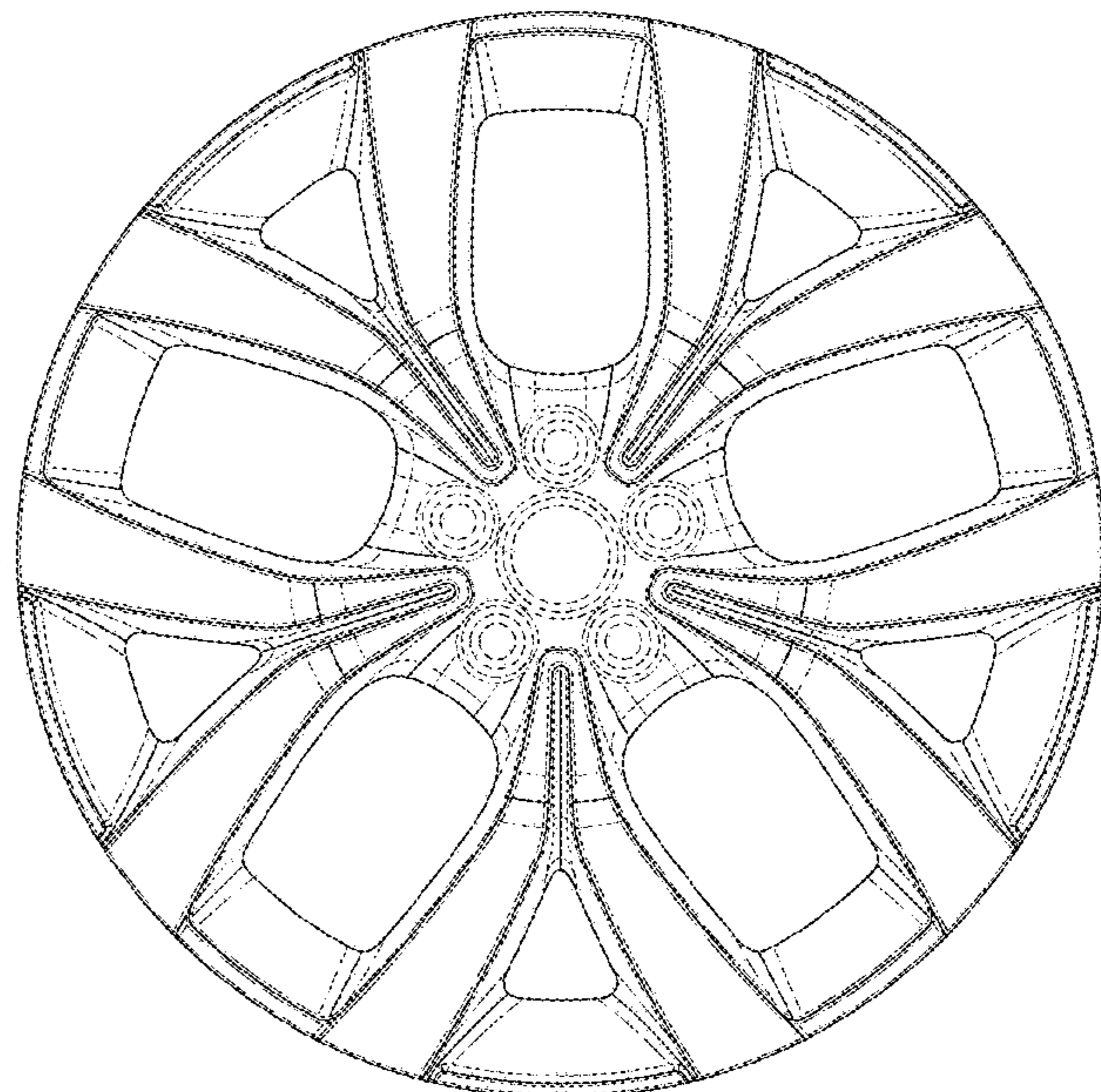
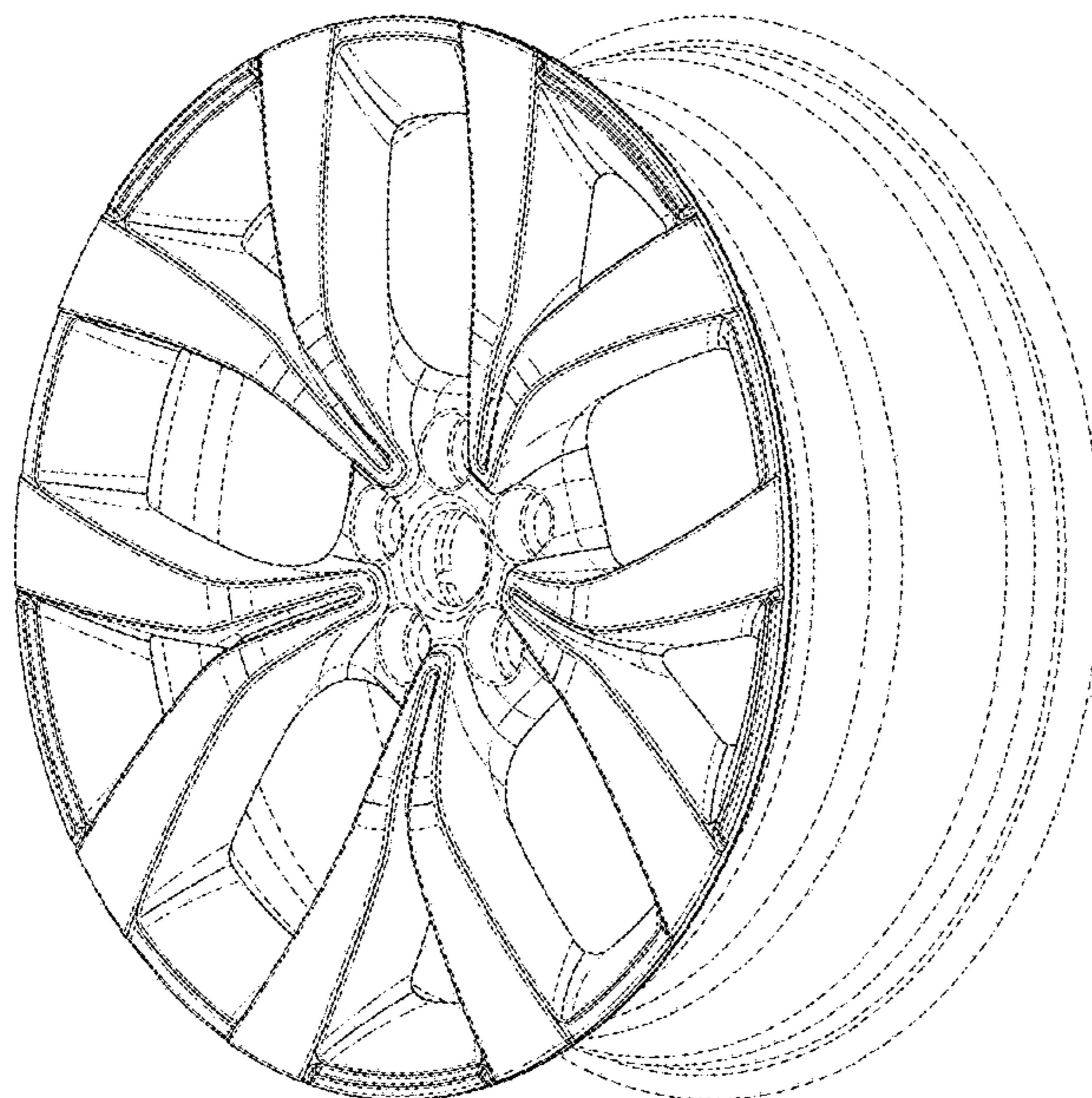
**DESCRIPTION**

FIG. 1 is a front right perspective view of a wheel according to the present invention.

FIG. 2 is a front view of the wheel shown in FIG. 1; and, FIG. 3 is a left side view thereof, the right side view being a mirror image thereof.

In the drawings the broken lines depict portions of the wheel that form no part of the claimed design.

**1 Claim, 3 Drawing Sheets**



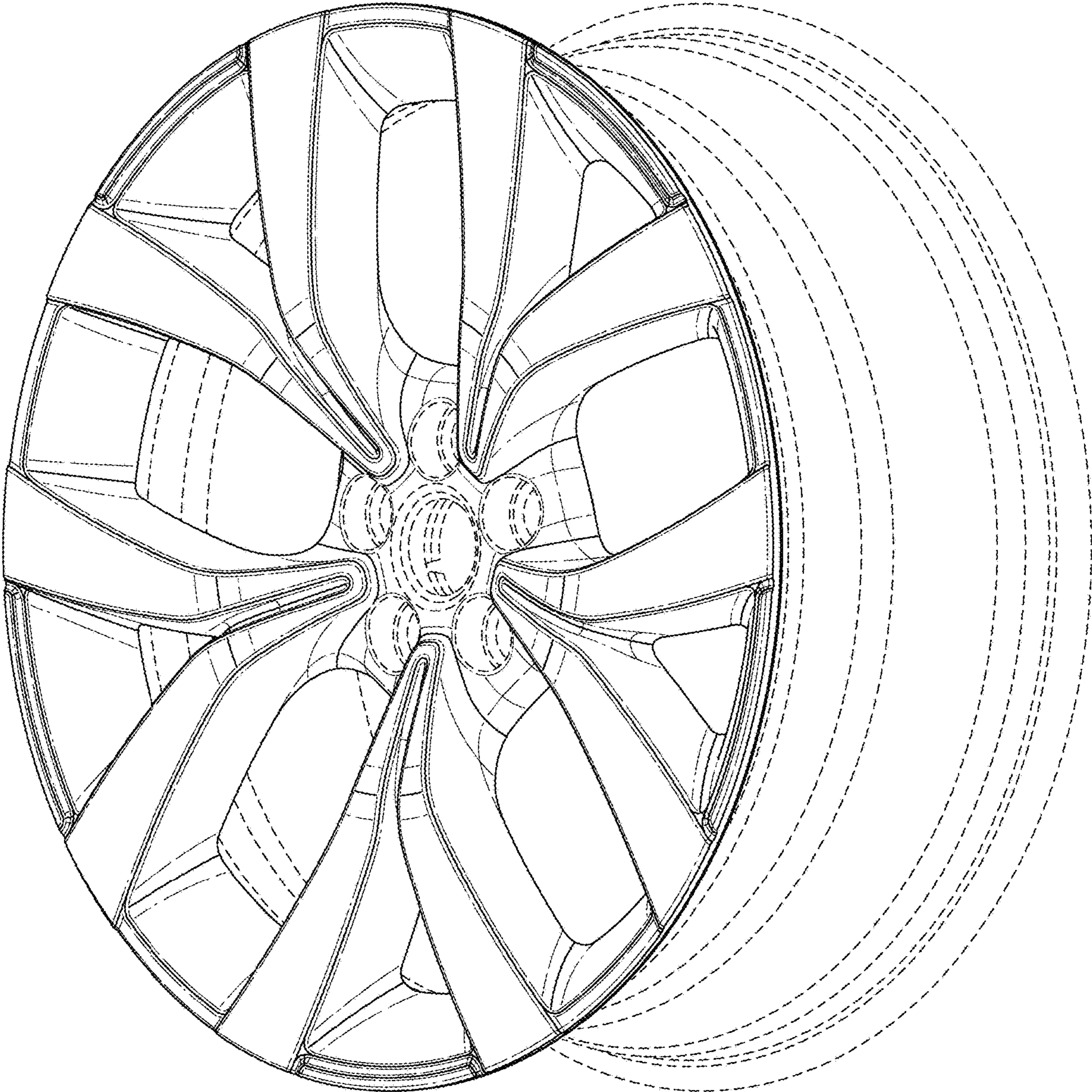


FIG. 1

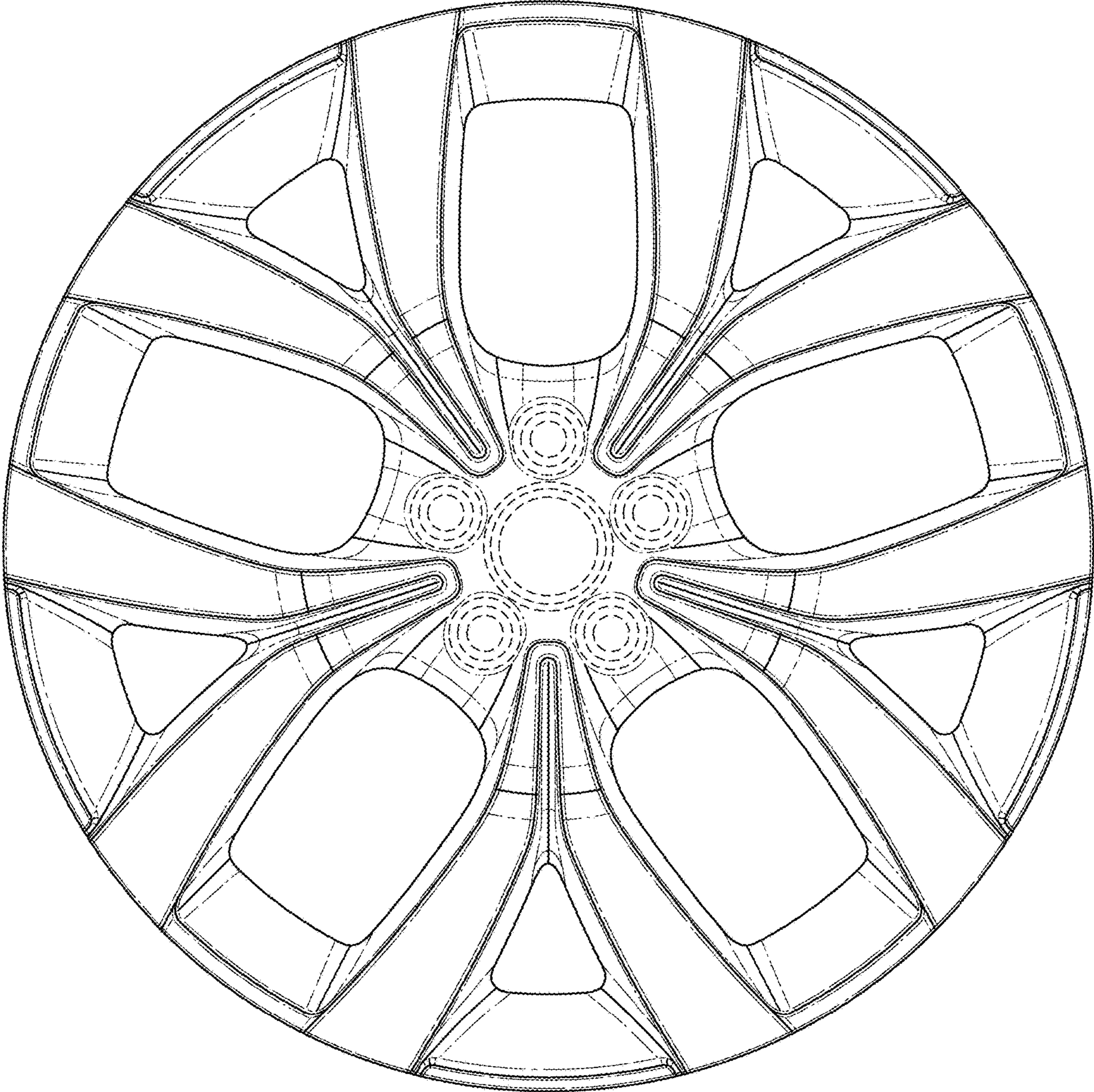


FIG. 2

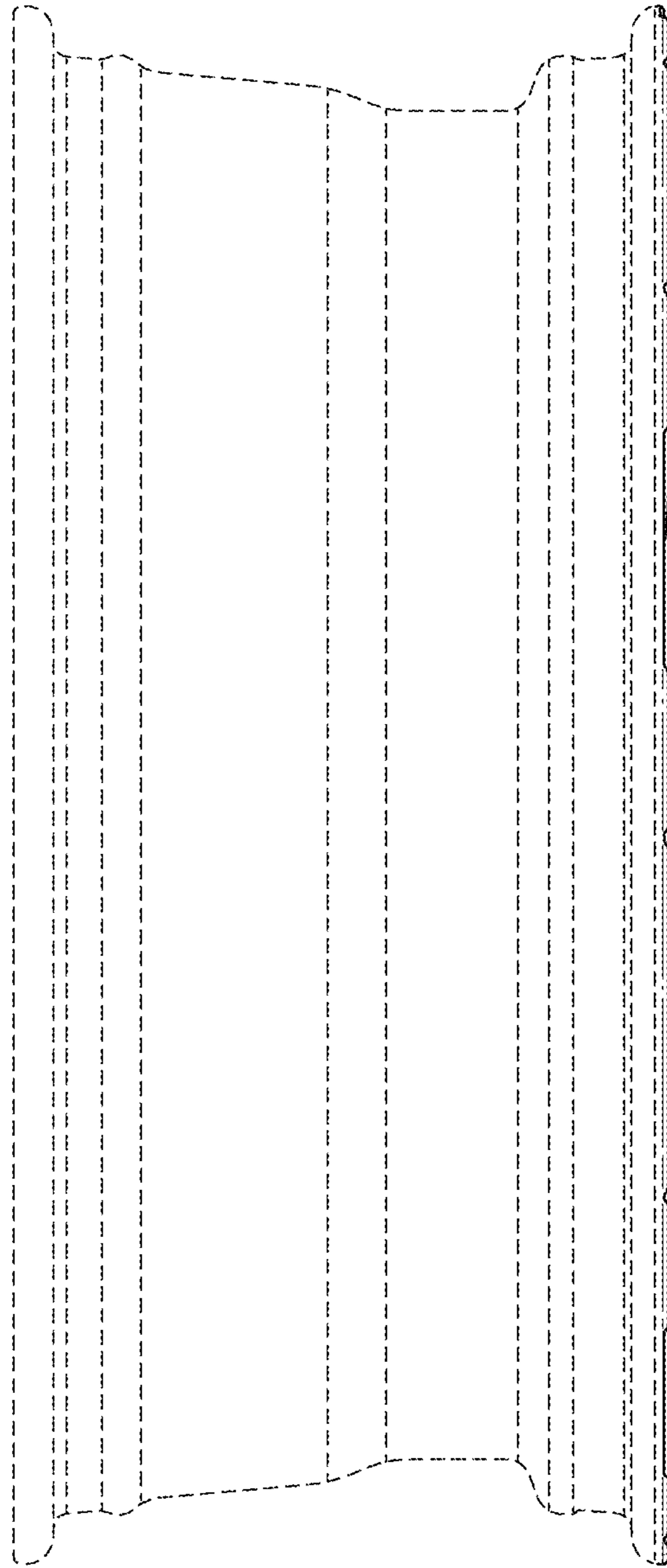


FIG. 3