



US00D932968S

(12) **United States Design Patent** (10) **Patent No.:** **US D932,968 S**  
**Gilbert** (45) **Date of Patent:** **\*\* Oct. 12, 2021**

(54) **SIDE SILL FOR A VEHICLE**  
(71) Applicant: **Jaguar Land Rover Limited**, Whitley  
Coventry (GB)  
(72) Inventor: **Thomas Gilbert**, Whitley Coventry  
(GB)  
(73) Assignee: **Jaguar Land Rover Limited**, Whitley  
Coventry (GB)

(\*\*) Term: **15 Years**

(21) Appl. No.: **29/683,945**

(22) Filed: **Mar. 18, 2019**

(30) **Foreign Application Priority Data**

Sep. 16, 2018 (EM) ..... 005642543

(51) **LOC (13) Cl.** ..... **12-16**

(52) **U.S. Cl.**  
USPC ..... **D12/190**

(58) **Field of Classification Search**  
USPC ... D12/190, 192, 400, 90-92, 196-200, 171,  
D12/172, 110, 114  
CPC ..... B60R 13/043; B60R 2013/0293; B60R  
13/02; B60R 13/04  
See application file for complete search history.

(56) **References Cited**

**U.S. PATENT DOCUMENTS**

D484,080 S \* 12/2003 Yamamoto ..... D12/190  
D807,247 S \* 1/2018 Malina ..... D12/167  
D850,344 S \* 6/2019 DeMatthews ..... D12/190

D856,435 S \* 8/2019 Wood ..... D21/561  
D878,265 S \* 3/2020 Bentzen ..... D12/190  
D888,631 S \* 6/2020 Battams ..... D12/190  
D920,199 S \* 5/2021 Dube ..... D12/190  
2018/0370573 A1 \* 12/2018 Yang ..... B62D 25/025  
2020/0140018 A1 \* 5/2020 Grottke ..... B60K 1/04  
2021/0016724 A1 \* 1/2021 Hahn ..... B62D 25/2072

\* cited by examiner

*Primary Examiner* — Katrina A Betton

(74) *Attorney, Agent, or Firm* — Wood Herron & Evans  
LLP

(57) **CLAIM**

The ornamental design for a side sill for a vehicle, as shown  
and described.

**DESCRIPTION**

FIG. 1 is a front right elevated perspective view of a side sill  
for a vehicle according to the present invention.

FIG. 2 is a front right perspective view of the side sill shown  
in FIG. 1.

FIG. 3 is a rear left elevated perspective view thereof.

FIG. 4 is a rear left perspective view thereof.

FIG. 5 is a front view thereof.

FIG. 6 is a rear view thereof.

FIG. 7 is a left side view thereof.

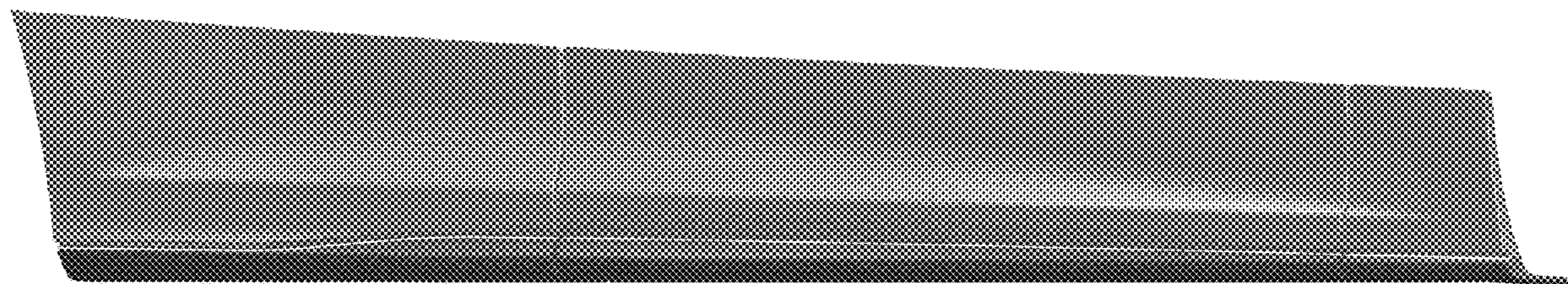
FIG. 8 is a right side view thereof.

FIG. 9 is a top view thereof.

FIG. 10 is a bottom view thereof; and,

FIG. 11 is a front view of the side sill for a vehicle shown  
in FIGS. 1-10, but with the side sill mounted on a vehicle  
shown in broken lines. More specifically, the broken lines  
form no part of the claimed design, but are instead included  
to show environmental aspects thereof.

**1 Claim, 8 Drawing Sheets**



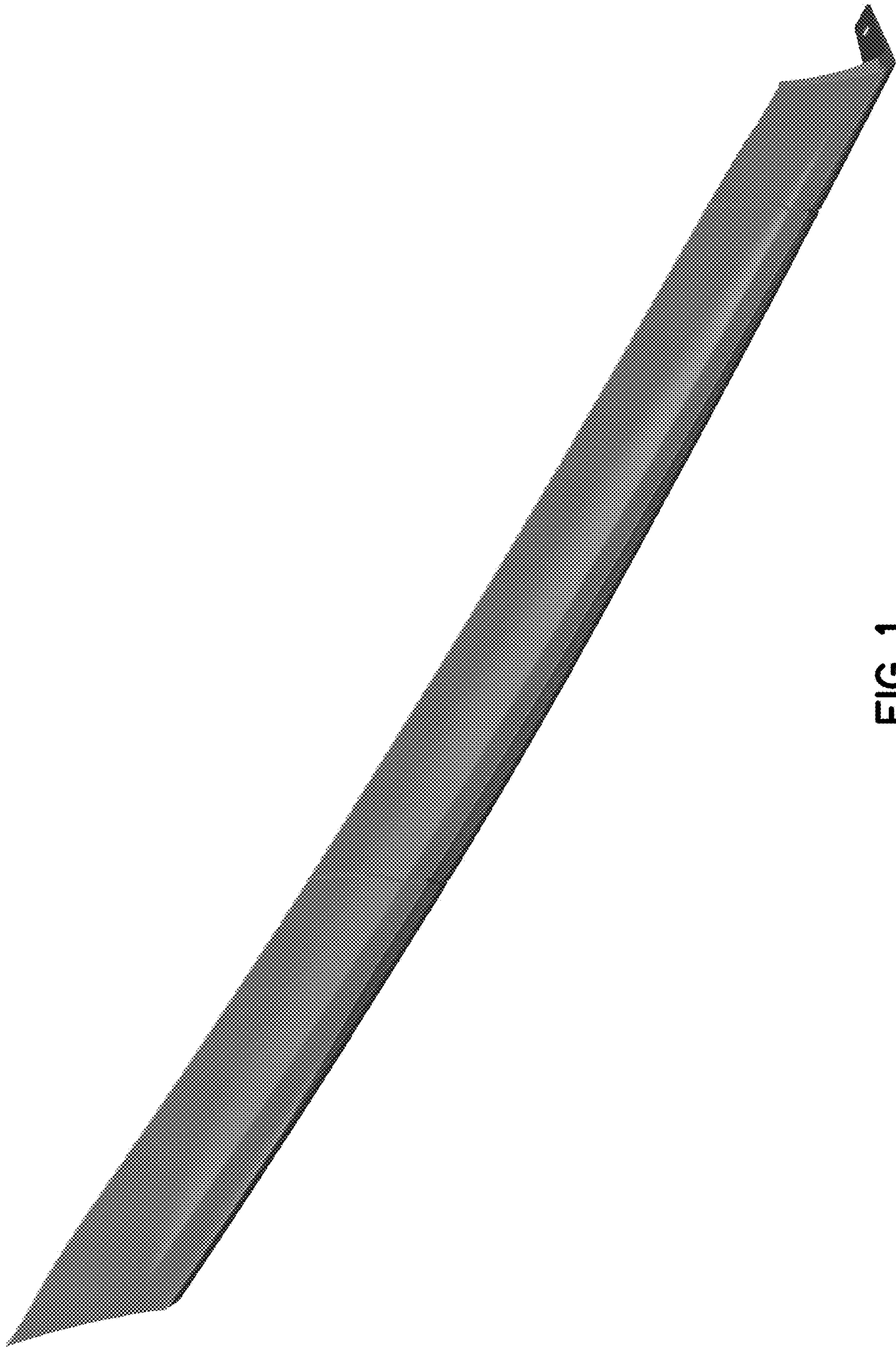


FIG. 1



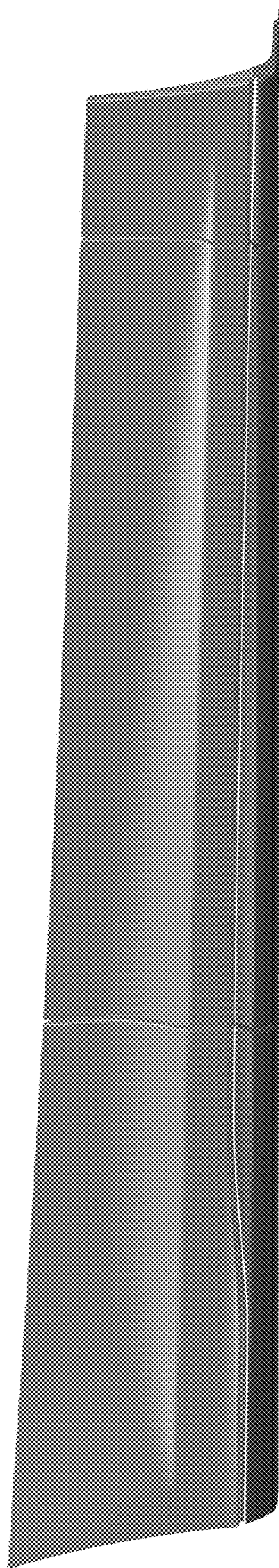


FIG. 2



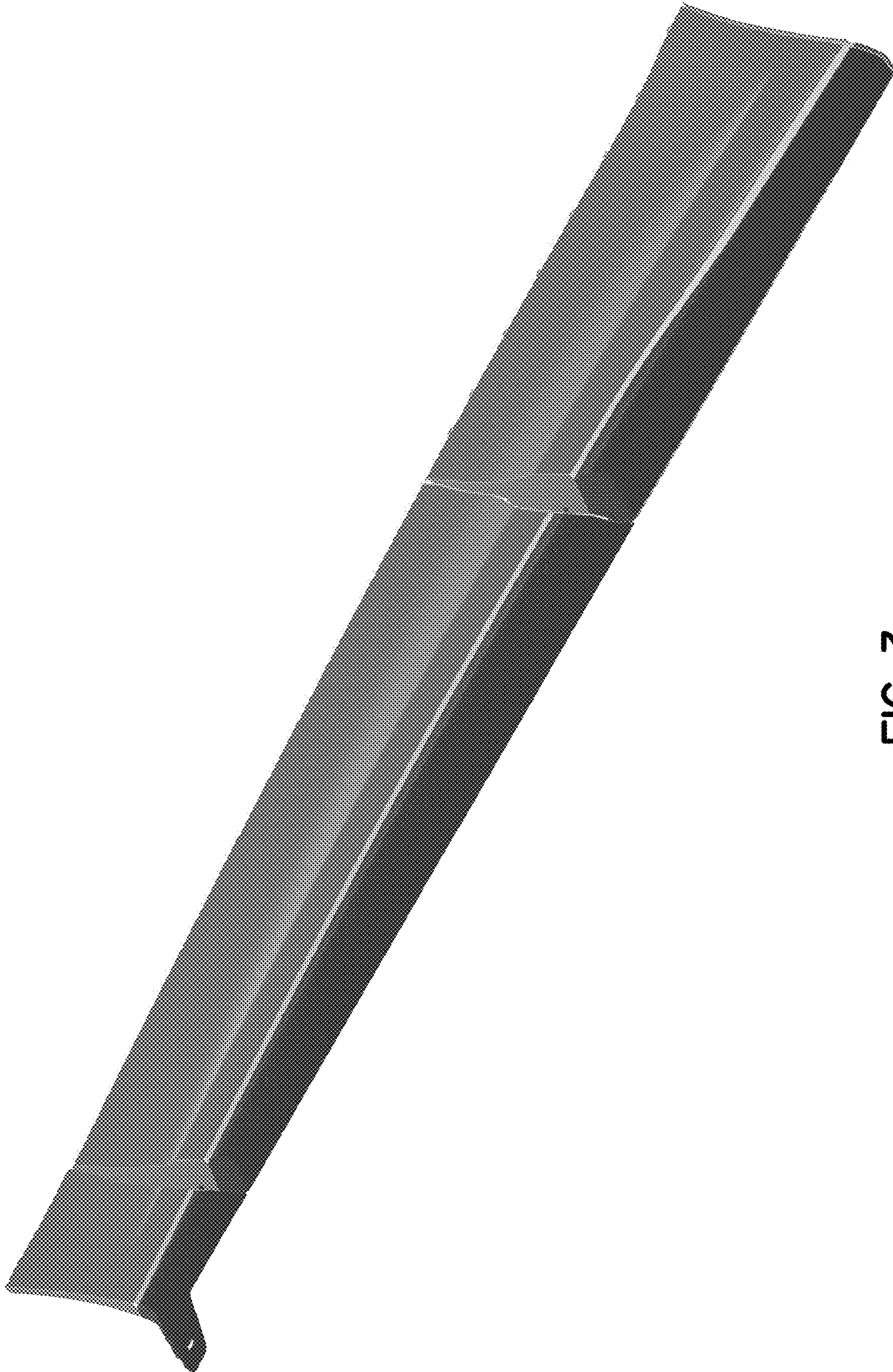


FIG. 3



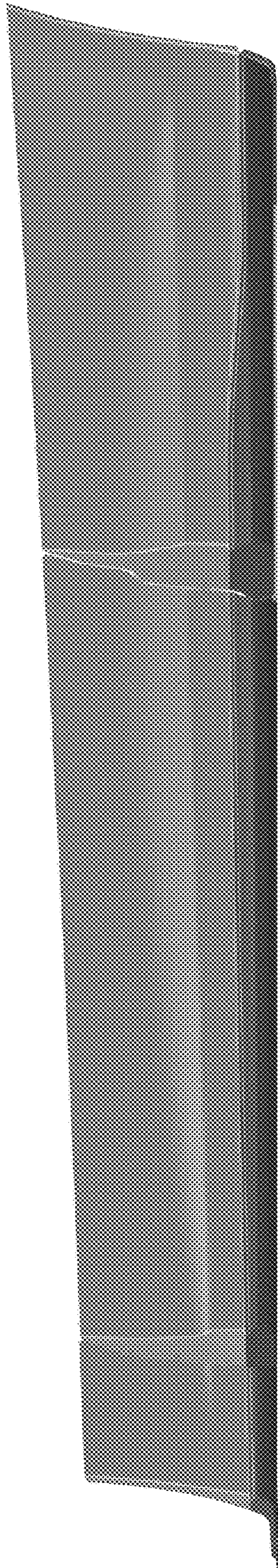


FIG. 4



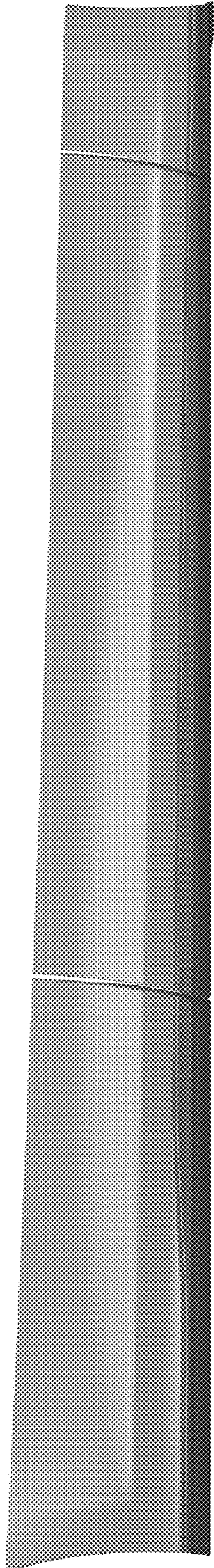


FIG. 5

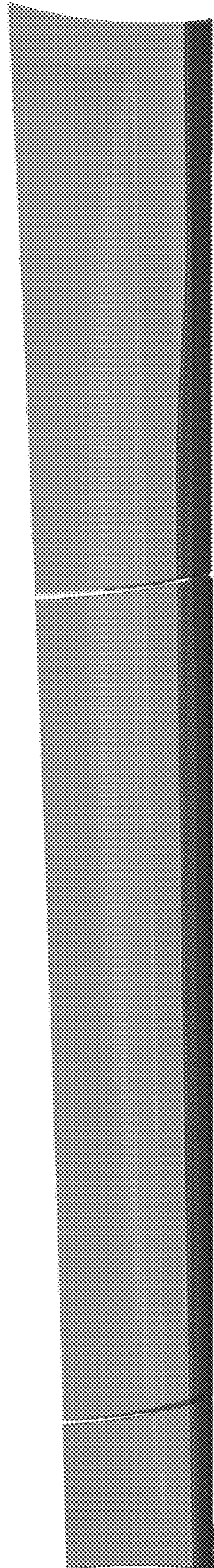


FIG. 6



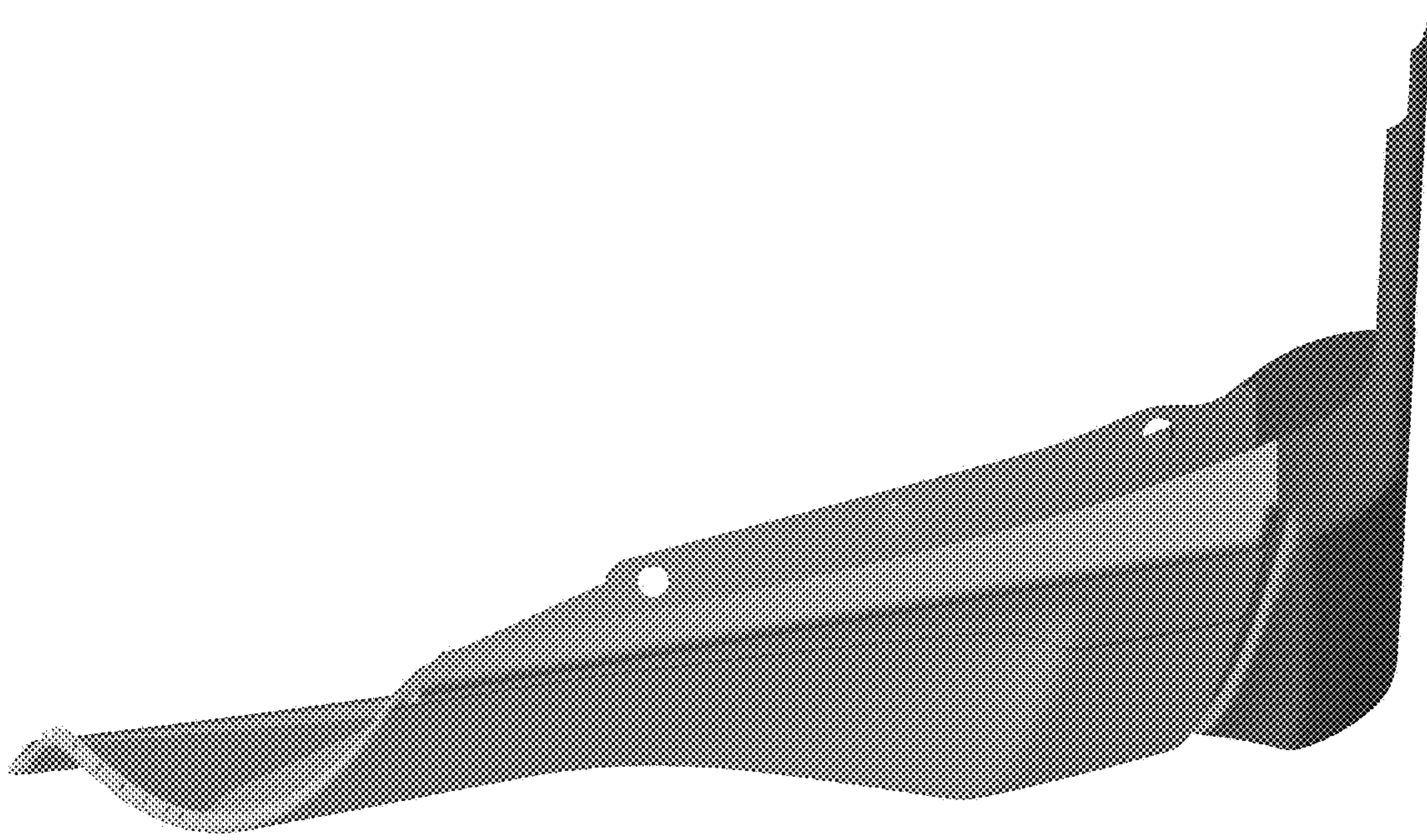


FIG. 8

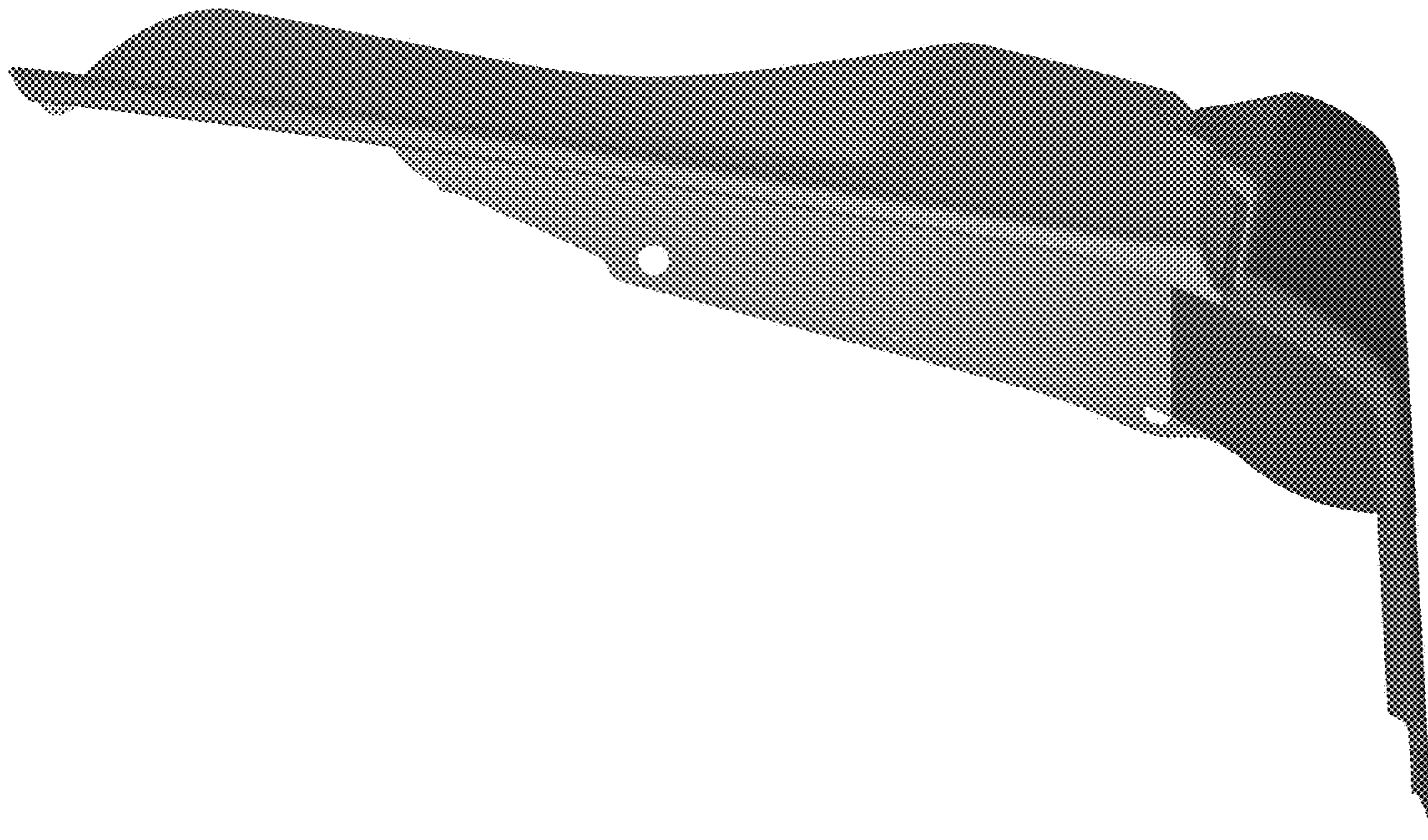


FIG. 7

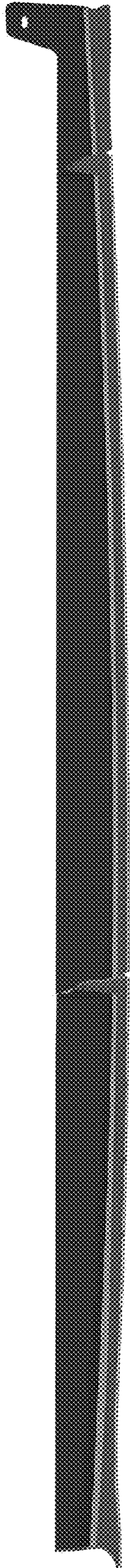


FIG. 9

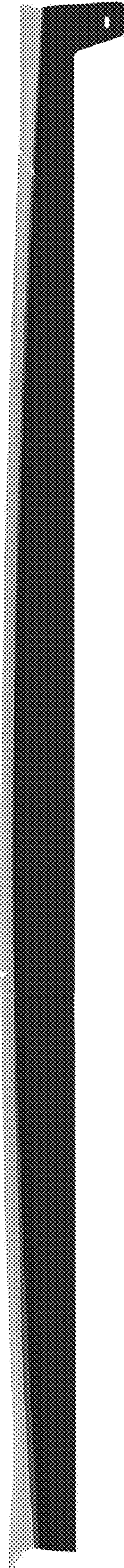


FIG. 10



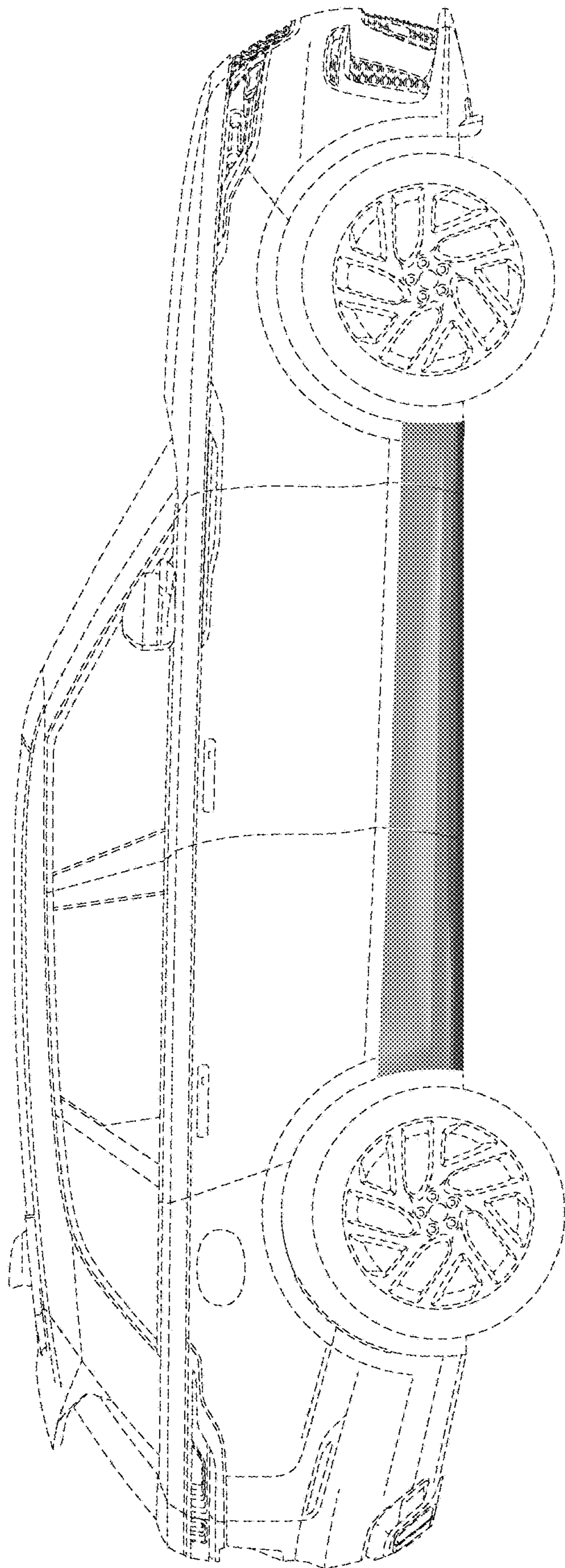


FIG. 11