



US00D932965S

(12) **United States Design Patent** (10) **Patent No.:** **US D932,965 S**
Sims (45) **Date of Patent:** **** Oct. 12, 2021**

(54) **LIGHTED SIDE MIRROR HOUSING**
(71) Applicant: **Steven Sims**, Chandler, AZ (US)
(72) Inventor: **Steven Sims**, Chandler, AZ (US)

D808,315 S * 1/2018 Danze D12/187
D839,789 S * 2/2019 Keller D12/114
D843,609 S * 3/2019 Heiner D26/1
D854,194 S * 7/2019 Heiner D26/1
D906,899 S * 1/2021 Keller D12/114
2005/0237643 A1* 10/2005 Wu B60R 1/06
359/871

(**) Term: **15 Years**

* cited by examiner

(21) Appl. No.: **29/733,902**

Primary Examiner — Susan E Krakower

(22) Filed: **May 7, 2020**

Assistant Examiner — Jerry Shiuan-Hua Hsu

(51) **LOC (13) Cl.** **12-16**

(74) *Attorney, Agent, or Firm* — Schmeiser, Olsen & Watts LLP

(52) **U.S. Cl.**

(57) **CLAIM**

USPC **D12/187**

The ornamental design for the lighted side mirror housing, as shown and described.

(58) **Field of Classification Search**

DESCRIPTION

USPC D12/114, 187–189; D6/300–303, 309;
D26/28–36, 1

CPC G02B 1/00; G02B 7/182; B60R 1/066;
B60R 1/006; B60R 1/02; B60R 1/12

See application file for complete search history.

FIG. 1 is a top perspective view of the lighted side mirror housing, showing my new design;
FIG. 2 is a bottom perspective view of the lighted side mirror housing;

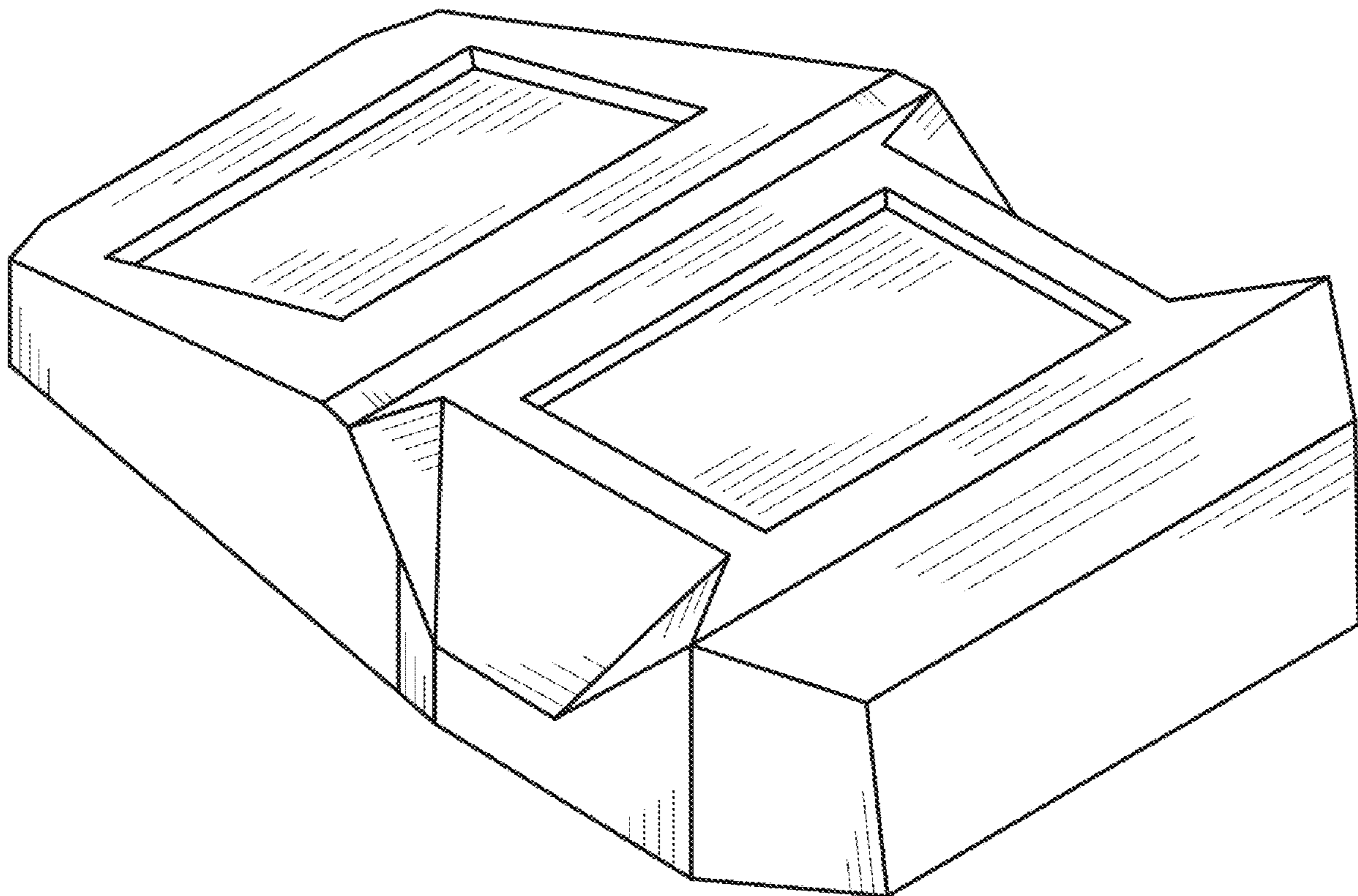
(56) **References Cited**

U.S. PATENT DOCUMENTS

D517,708 S * 3/2006 Phillips D26/28
D585,800 S * 2/2009 Cheng D12/187
D587,827 S * 3/2009 Tsukui D26/28
D592,328 S * 5/2009 Chen D26/28
D626,047 S * 10/2010 Owyang D12/187
D723,439 S * 3/2015 Milbank D12/187
D759,557 S * 6/2016 Suesse D12/187

FIG. 3 is a right side view of the lighted side mirror housing;
FIG. 4 is a left side view of the lighted side mirror housing;
FIG. 5 is front view of the lighted side mirror housing;
FIG. 6 is a rear view of the lighted side mirror housing;
FIG. 7 is a top view of the lighted side mirror housing; and,
FIG. 8 is a bottom view of the lighted side mirror housing.

1 Claim, 4 Drawing Sheets



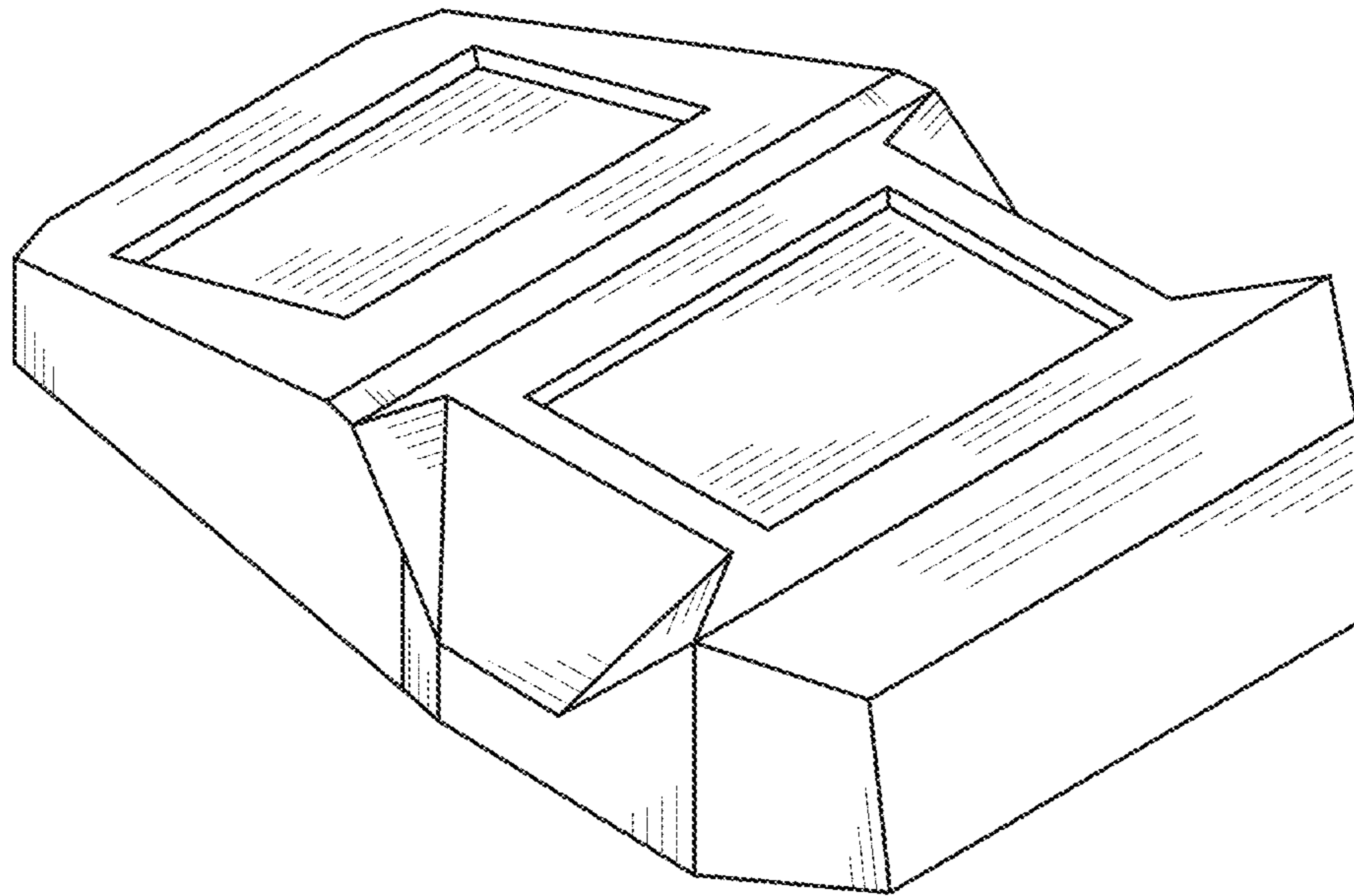


FIG. 1

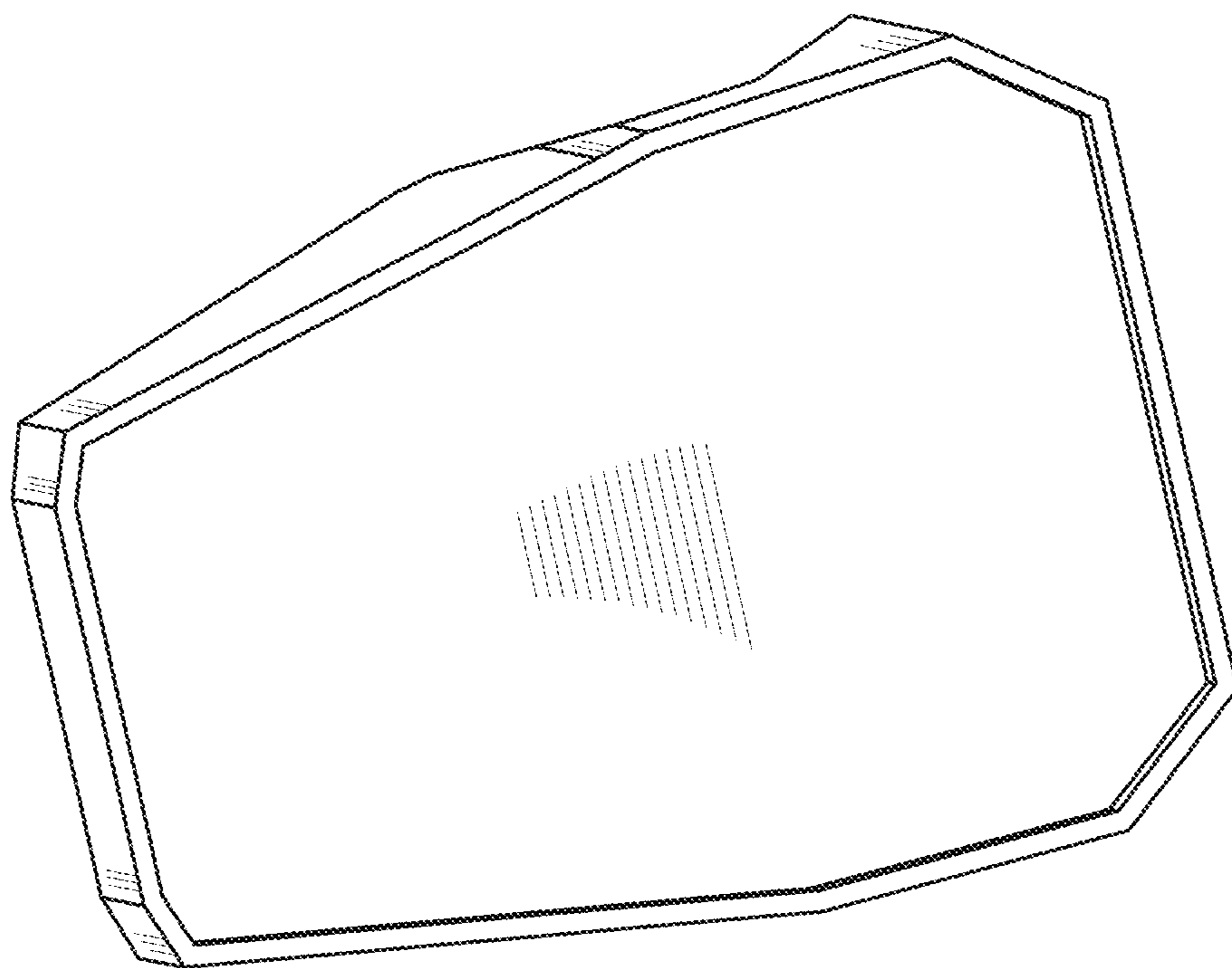


FIG. 2

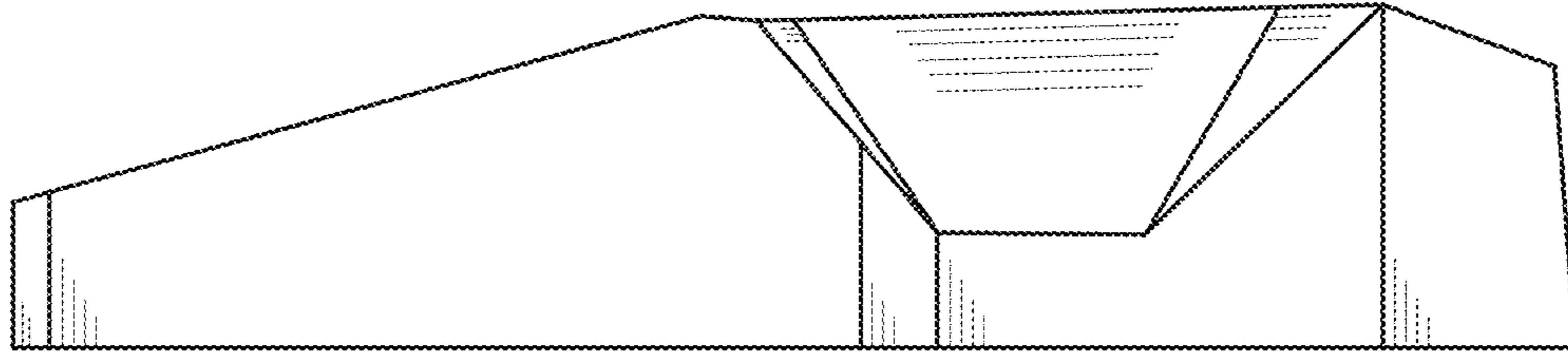


FIG. 3

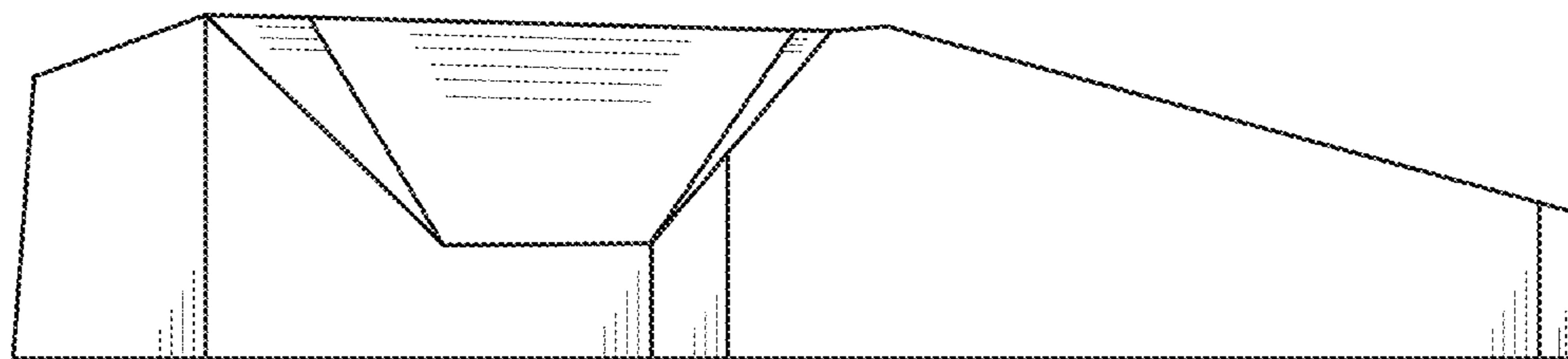


FIG. 4

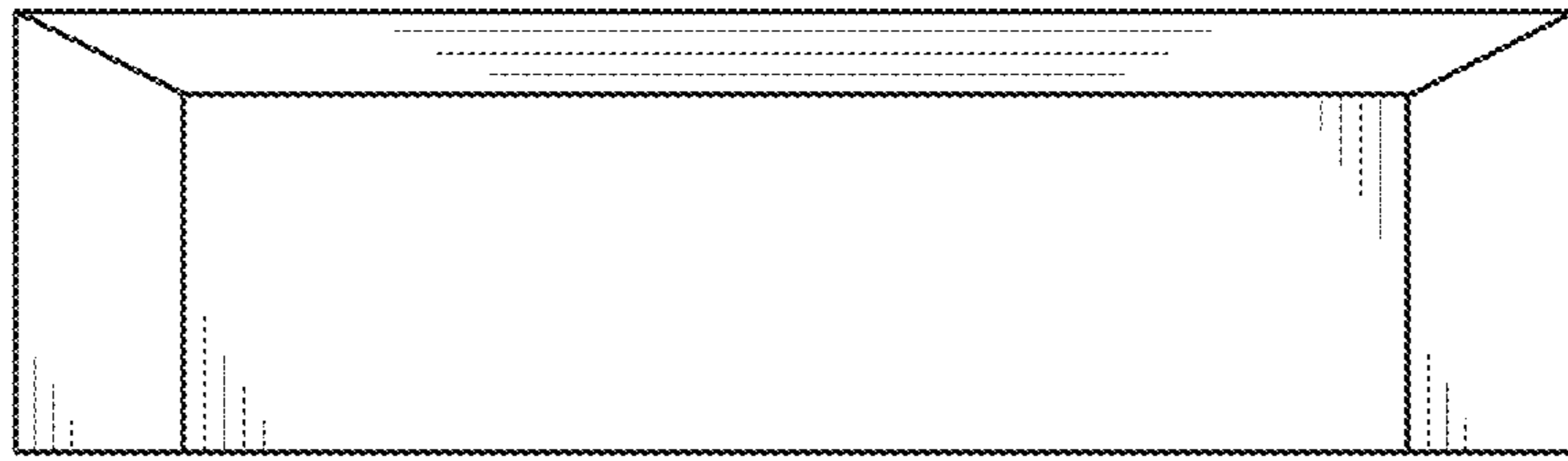


FIG. 5

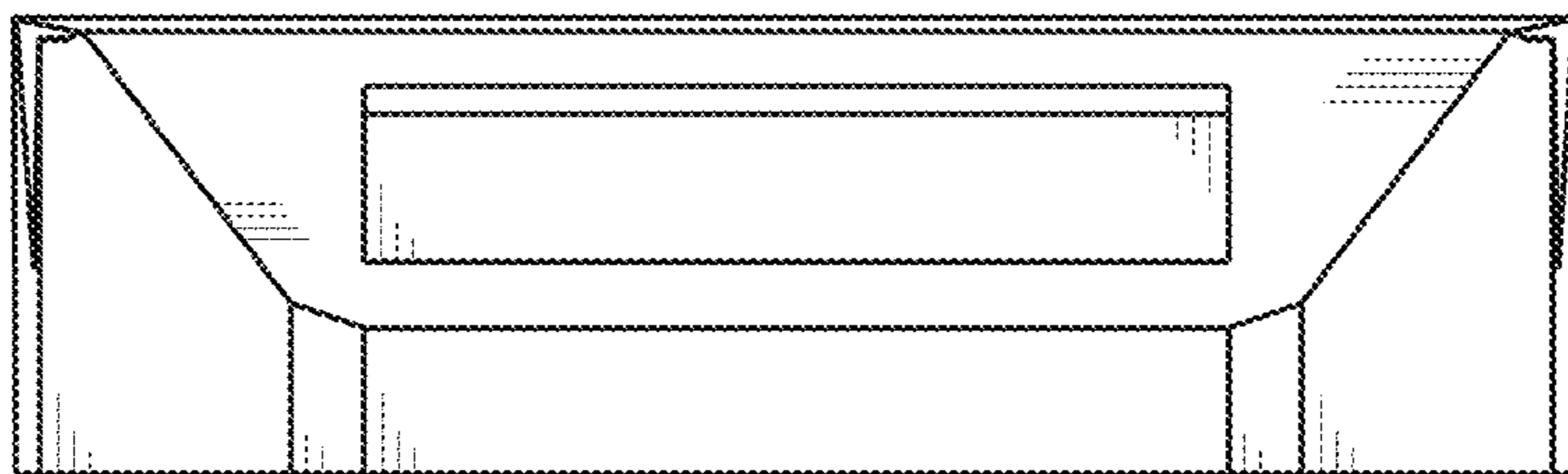


FIG. 6

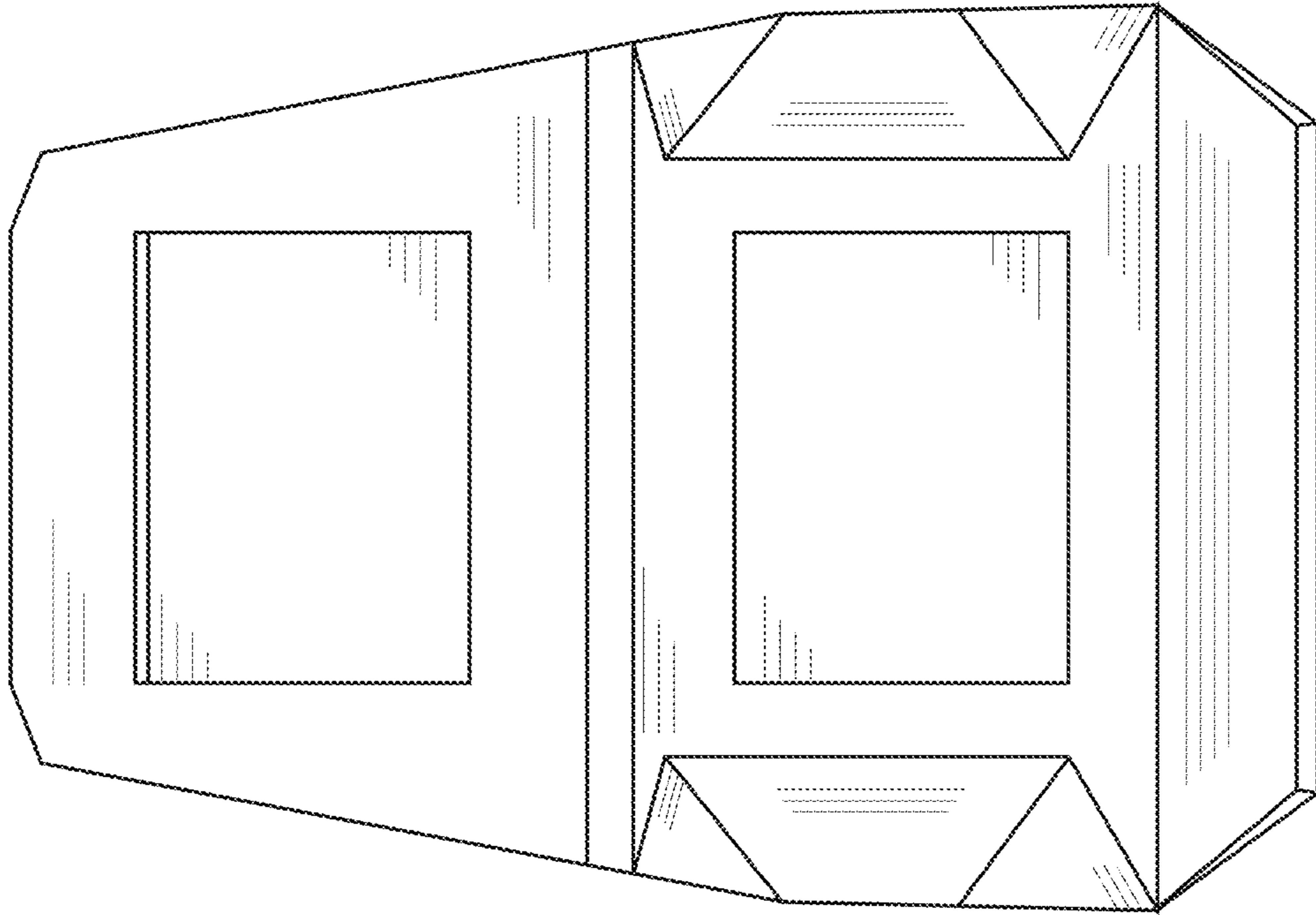


FIG. 7

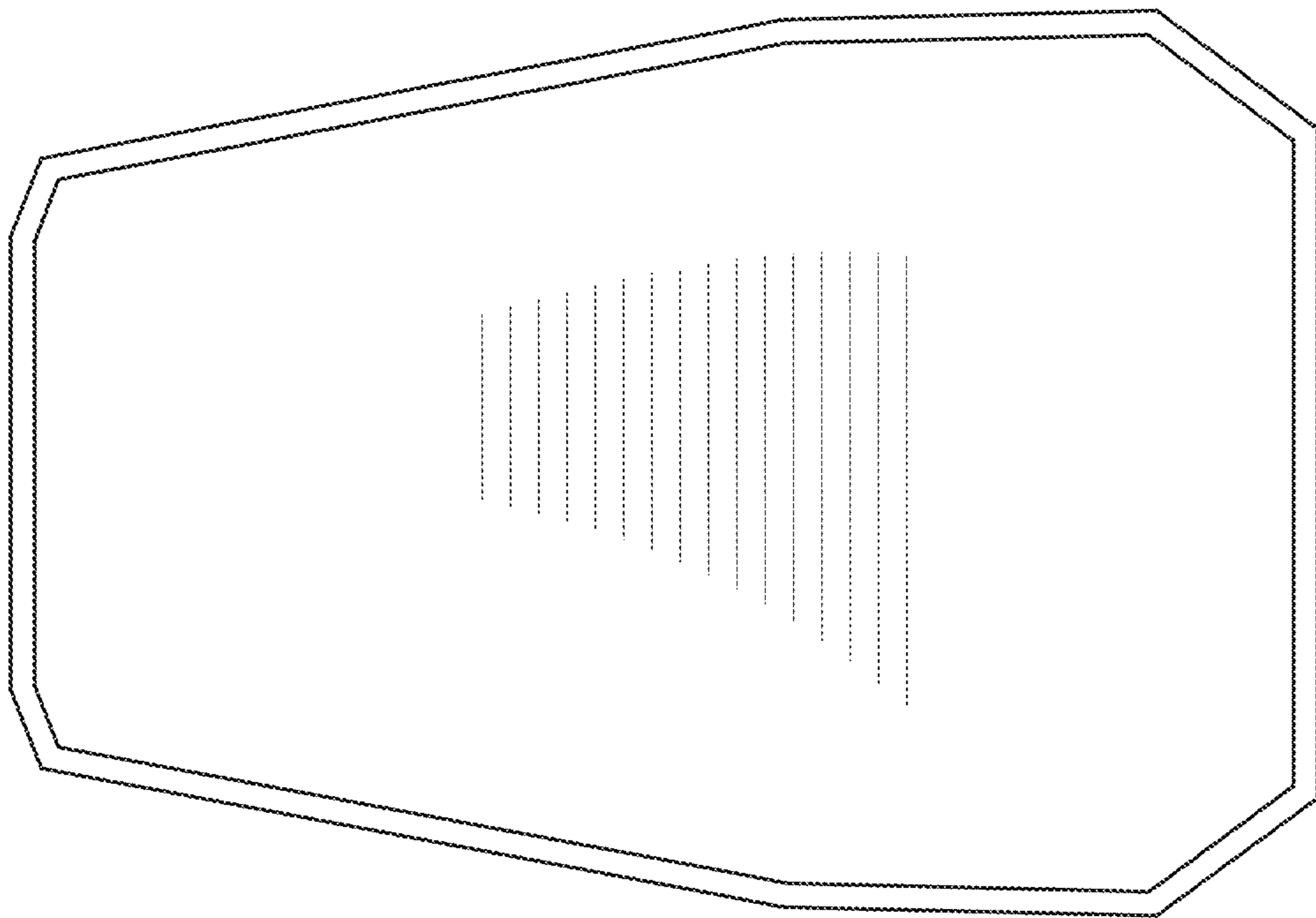


FIG. 8