



US00D932962S

(12) **United States Design Patent** (10) **Patent No.:** **US D932,962 S**
Kawahata et al. (45) **Date of Patent:** **** Oct. 12, 2021**

(54) **STEERING WHEEL FOR A VEHICLE**
(71) Applicant: **TOYODA GOSEI CO., LTD.**, Kiyosu (JP)

D897,913 S * 10/2020 Godard D12/175
D909,264 S * 2/2021 Zhang D12/175
D910,509 S * 2/2021 Nightingale D12/175
D918,106 S * 5/2021 Mignot D12/176

(72) Inventors: **Kyoichi Kawahata**, Kiyosu (JP);
Toshiyasu Sayama, Kiyosu (JP)

OTHER PUBLICATIONS

(73) Assignee: **TOYODA GOSEI CO., LTD.**,
Aichi-pref. (JP)

Steering Wheels. Design—© Questel) orbit.com. [Online PDF compilation of references selected by examiner] 52 pgs. Print Dates Range Sep. 22, 2020-Feb. 28, 2020 [Retrieved Jun. 16, 2021].*
“Peugeot Fractal Concept Car Features a Wild 3D Printed Interior.” Sep. 1, 2015. 3D Print.com. <https://3dprint.com/93153/d-peugeot-fractal-concept-car-features-a-wild-3d-printed-interior/> (Year: 2015).*

(**) Term: **15 Years**

(Continued)

(21) Appl. No.: **29/727,507**

Primary Examiner — Brett Miller

(22) Filed: **Mar. 11, 2020**

Assistant Examiner — Suzanne E Tisdell

(30) **Foreign Application Priority Data**

(74) *Attorney, Agent, or Firm* — Posz Law Group, PLC

Sep. 30, 2019 (JP) D2019-021944

(51) **LOC (13) Cl.** **12-06**

(52) **U.S. Cl.**
USPC **D12/175**

(57) **CLAIM**

The ornamental design for a steering wheel for a vehicle, as shown and described.

(58) **Field of Classification Search**
USPC D12/174, 175, 176, 177, 192, 196
CPC . B60R 21/203; B60R 21/215; B60R 21/2155;
B60R 2021/21543; B62D 1/046; B60Q
1/0082; B60Q 1/343
See application file for complete search history.

DESCRIPTION

FIG. 1 is a perspective view of top, front, and right side of a steering wheel for a vehicle;
FIG. 2 is a front view thereof;
FIG. 3 is a right side view thereof, the left side view being a mirror image of FIG. 3;
FIG. 4 is a top plan view thereof;
FIG. 5 is a rear view thereof;
FIG. 6 is a bottom view thereof; and,
FIG. 7 is a perspective view of bottom, rear and right side thereof.

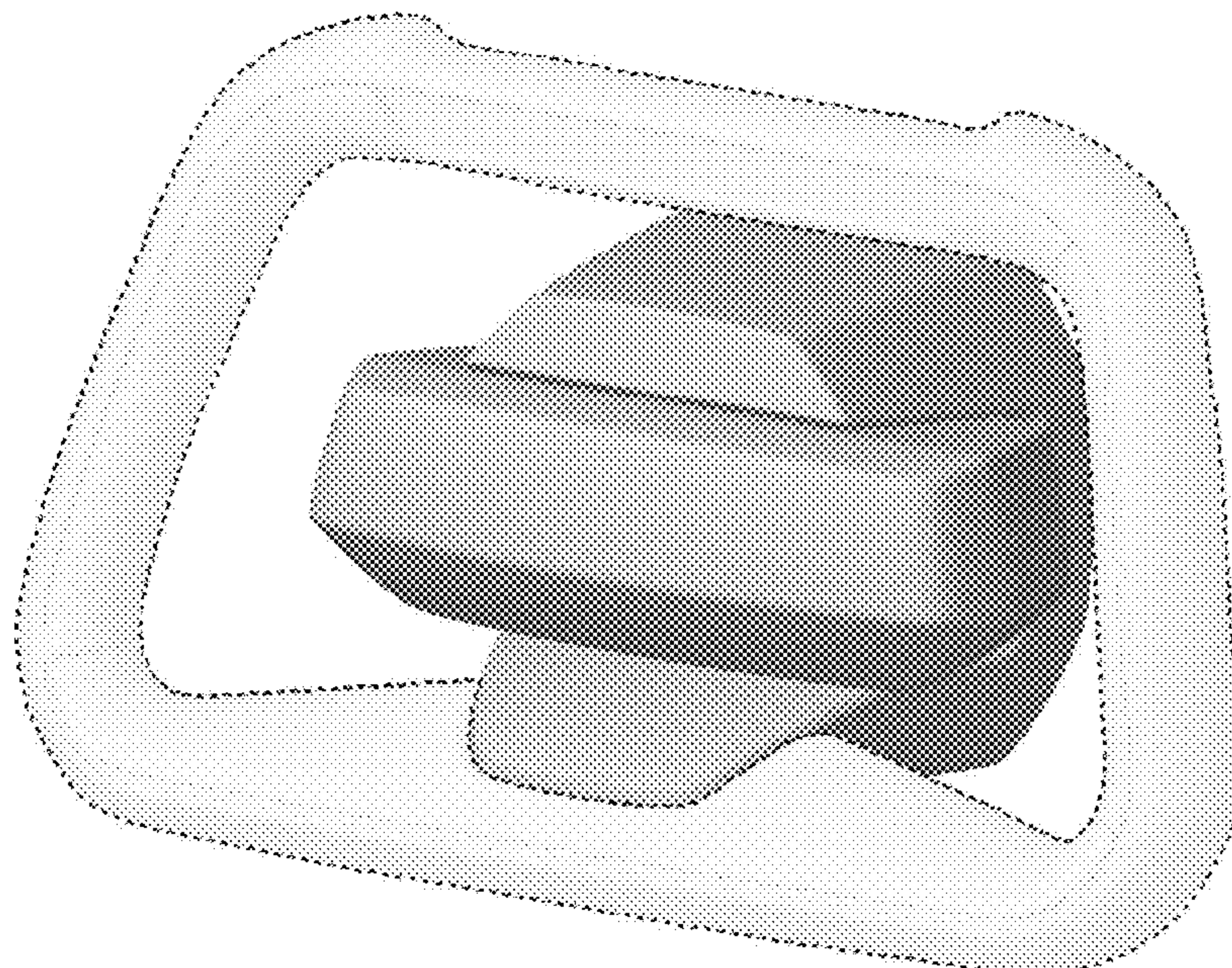
(56) **References Cited**

U.S. PATENT DOCUMENTS

D659,613 S * 5/2012 Tanaka D12/176
D737,184 S * 8/2015 Oosuda D12/175
D797,620 S * 9/2017 LeFranc D12/176
D839,802 S * 2/2019 Hilton D12/175
D848,816 S * 5/2019 Staton D8/307
D853,290 S * 7/2019 Helmstetter D12/175
D870,004 S * 12/2019 Hill D12/175

The claimed design is indicated by the relatively dark portions in the figures, while the relatively light portions surrounded by broken lines form no part of the claimed design.

1 Claim, 7 Drawing Sheets



(56)

References Cited

OTHER PUBLICATIONS

Beckwith, Jimi. "First Drive; Peugeot Instinct Concept Review." Aug. 30, 2017. Autocar. <https://www.autocar.co.uk/car-news/concept-cars/first-drive-peugeot-instinct-concept-review> (Year: 2017).*

Biermann, Roger. "Most Unusual Steering Wheels Ever Made." Nov. 3, 2018. CarBuzz. <https://carbuzz.com/features/the-most-unusual-steering-wheels-ever-made> (Year: 2018).*

* cited by examiner

FIG. 1

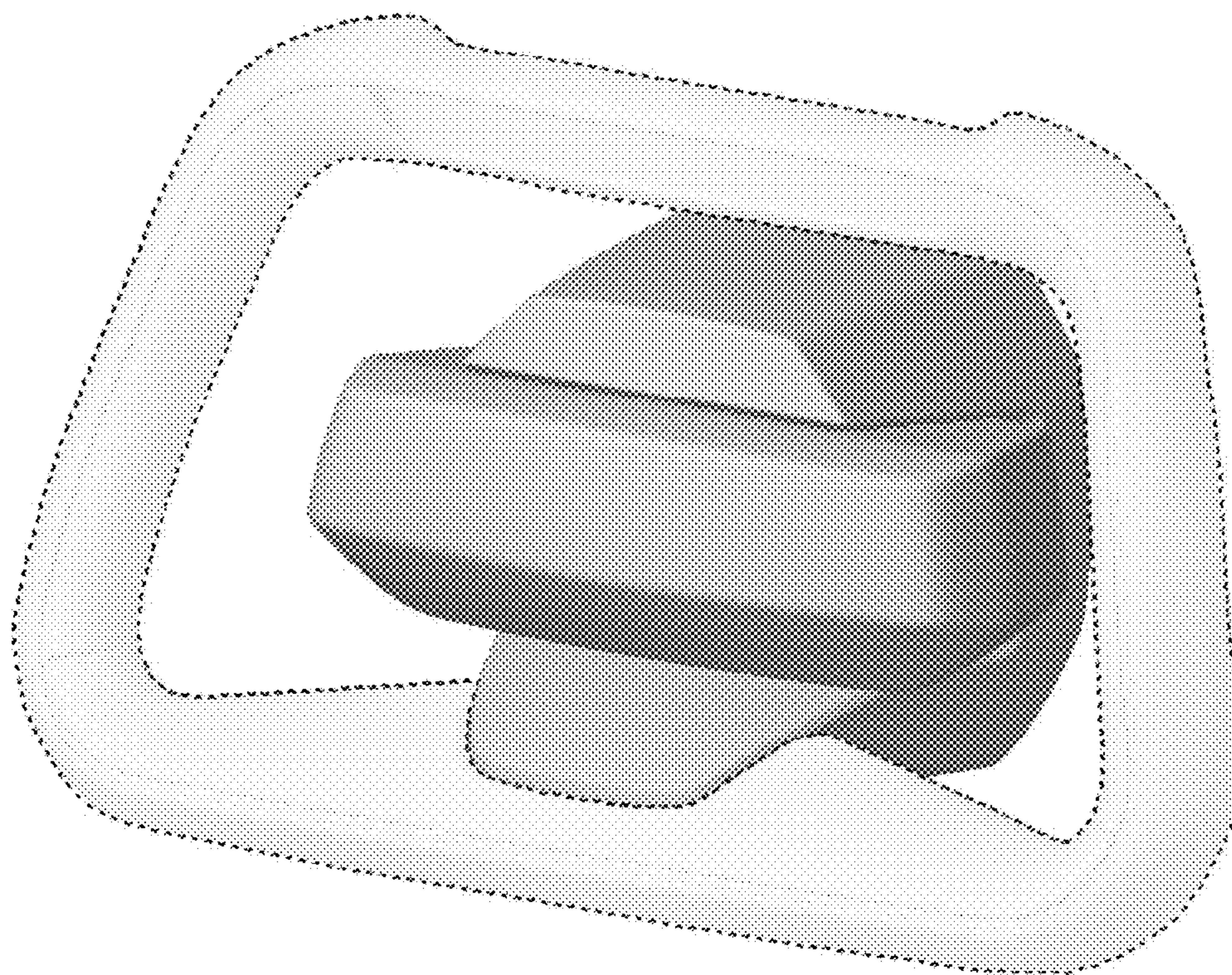


FIG. 2

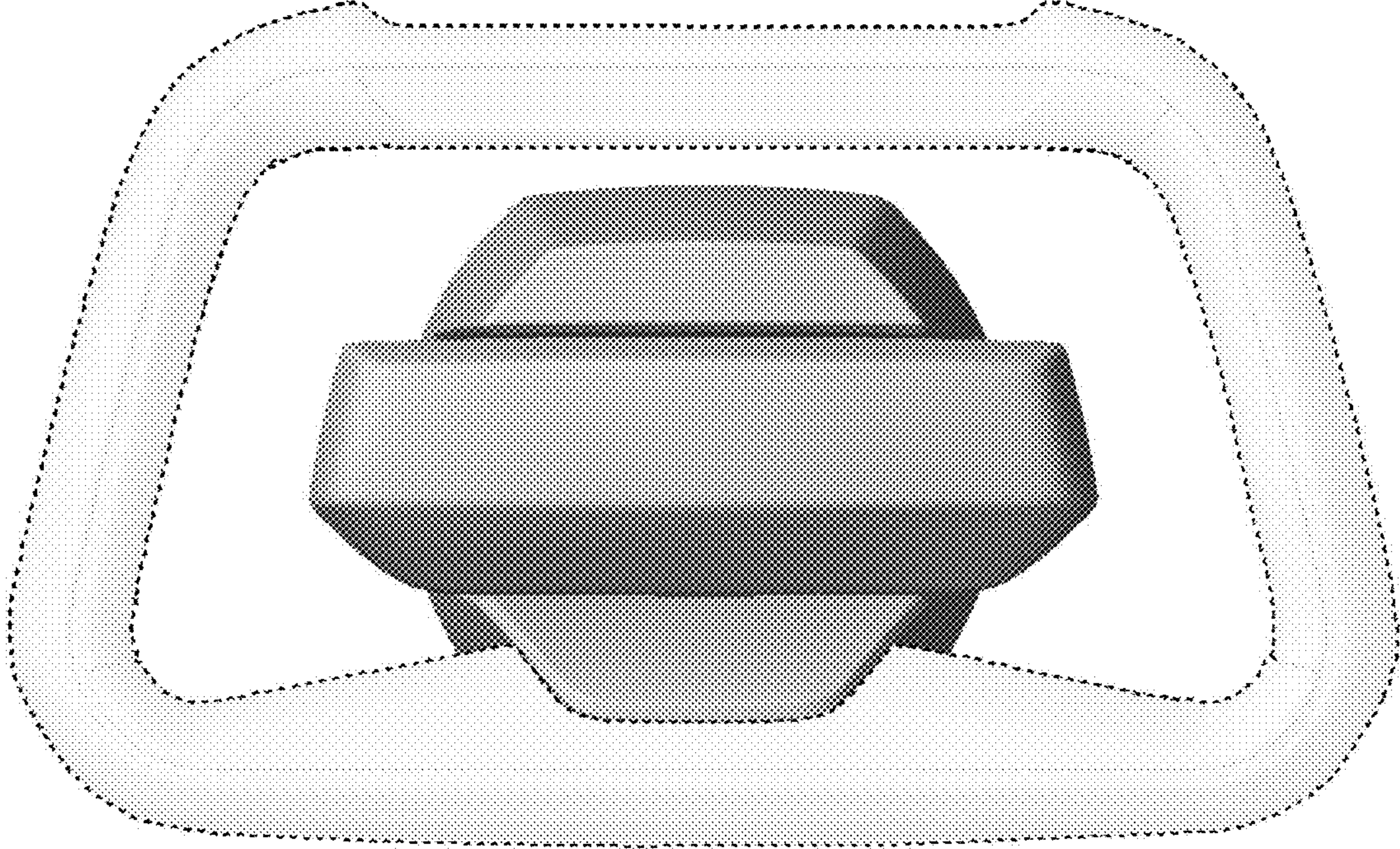


FIG. 3

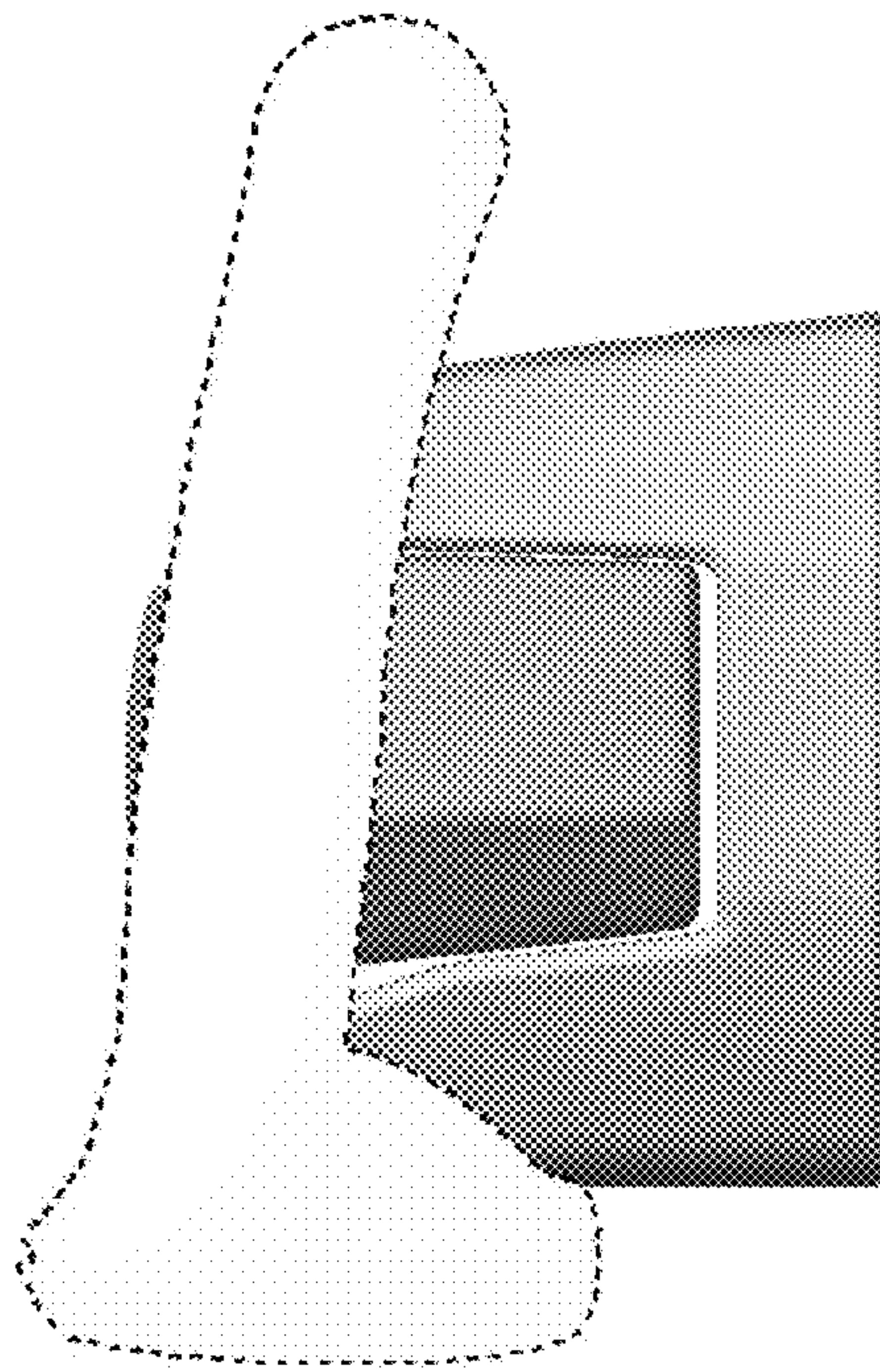


FIG. 4

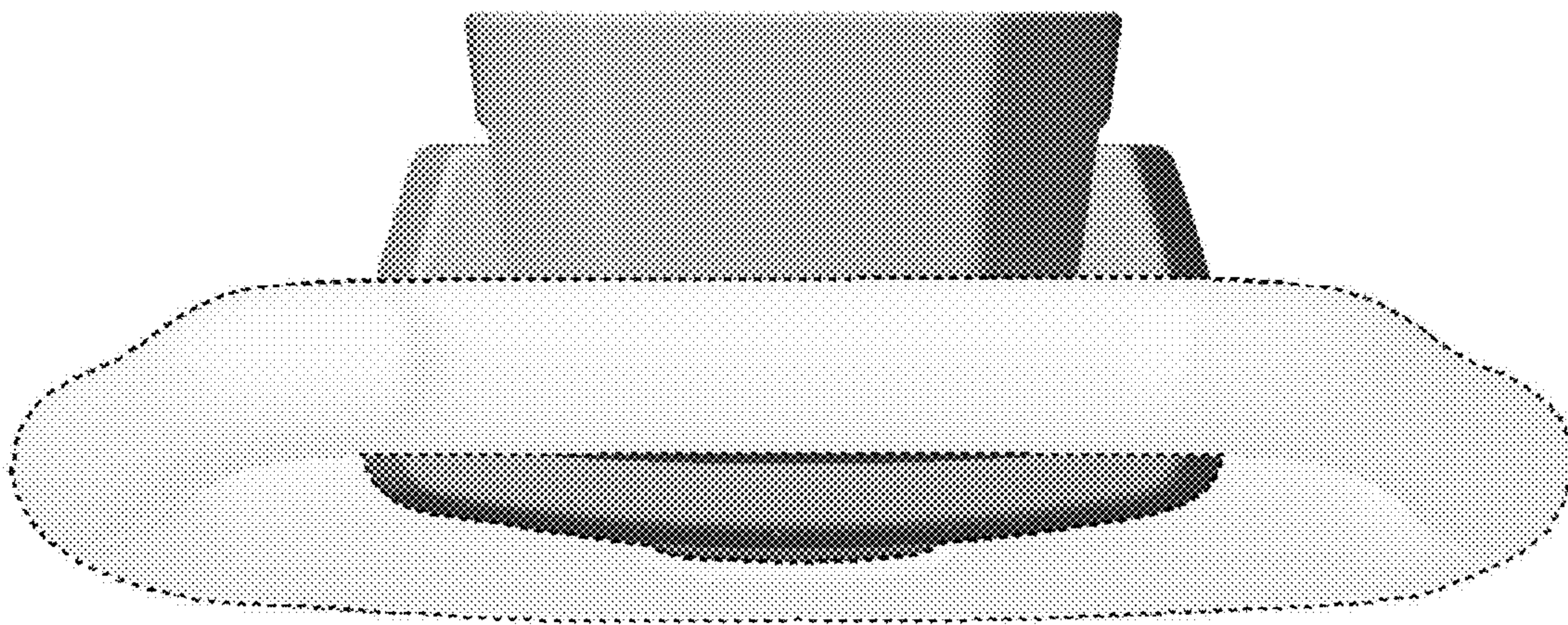


FIG. 5

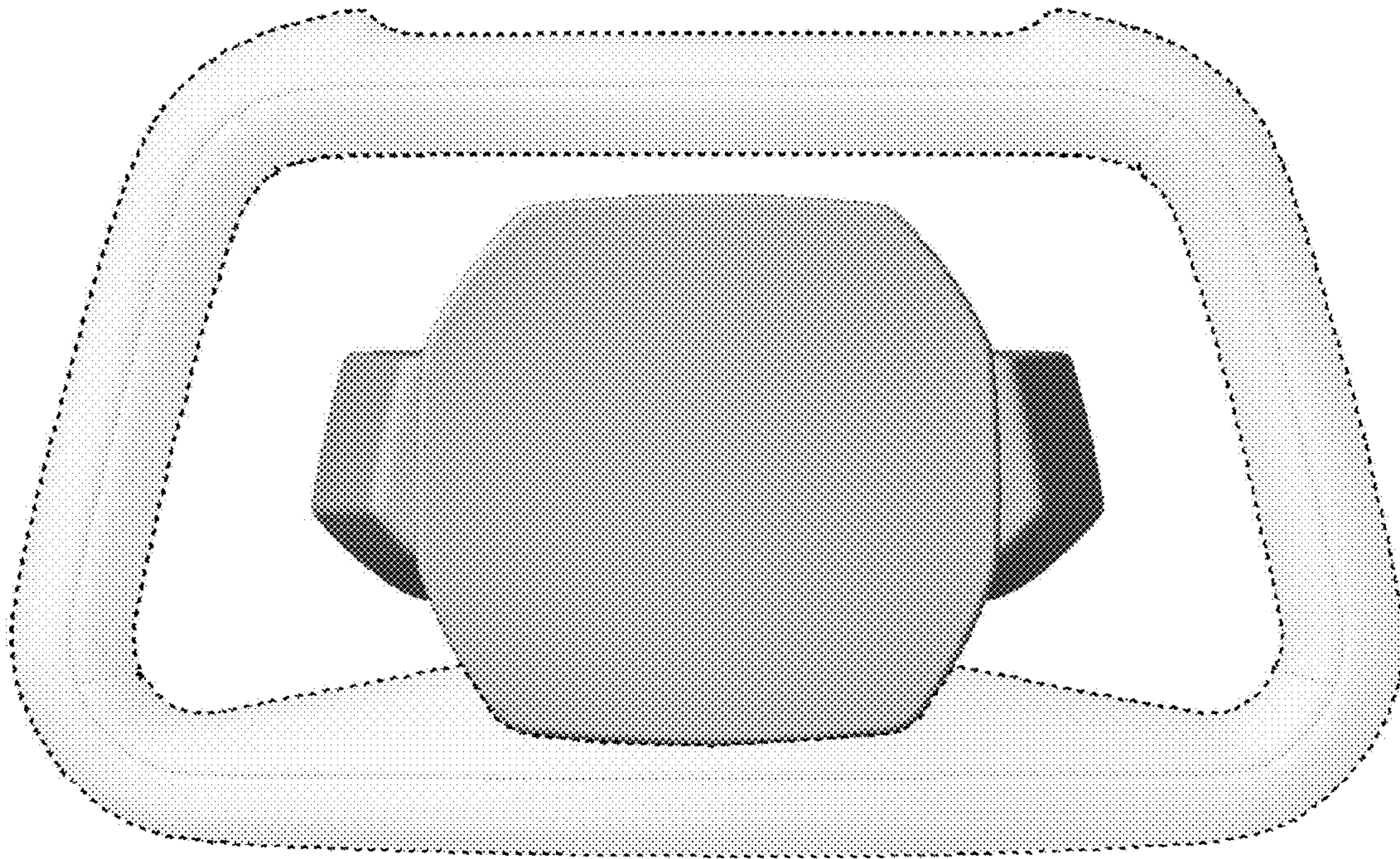


FIG. 6

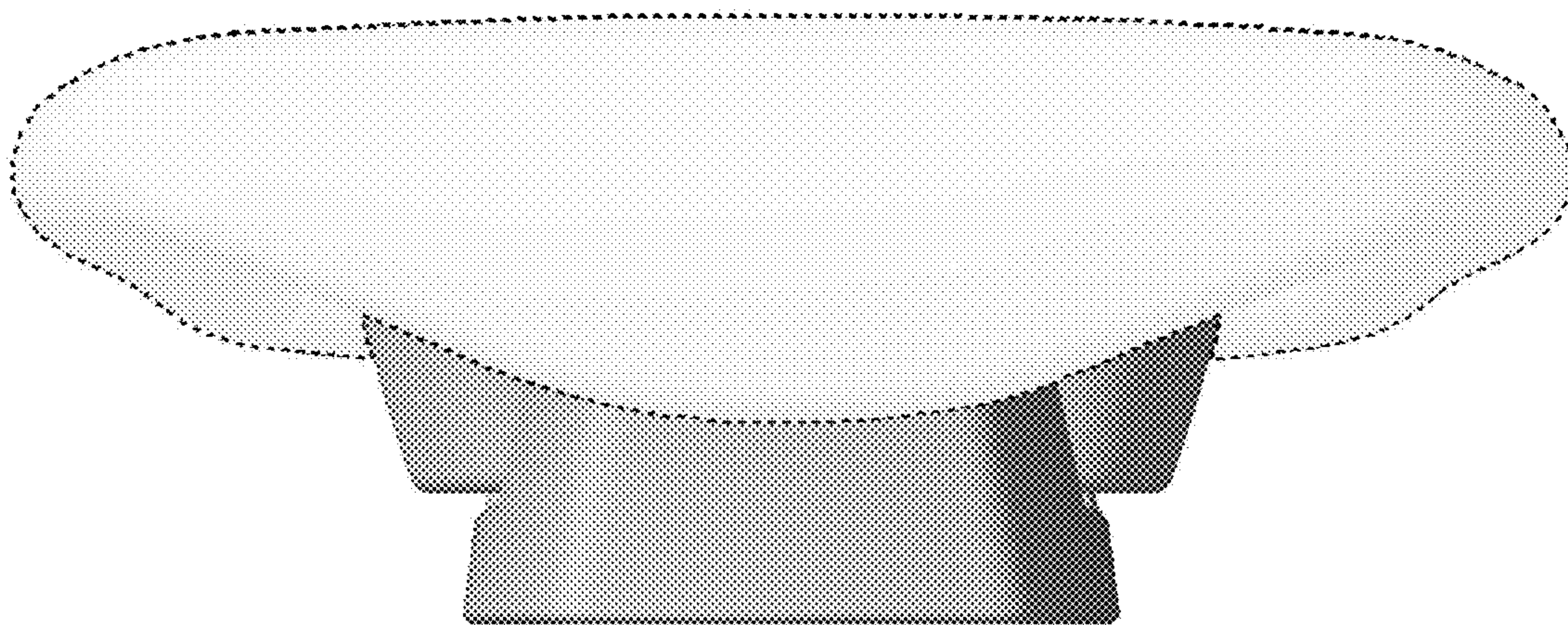


FIG. 7

