



US00D932959S

(12) **United States Design Patent** (10) **Patent No.:** **US D932,959 S**
Koyama et al. (45) **Date of Patent:** **** Oct. 12, 2021**

(54) **REAR BUMPER FOR AN AUTOMOBILE**

(71) Applicant: **TOYOTA JIDOSHA KABUSHIKI KAISHA**, Toyota (JP)

(72) Inventors: **Hideo Koyama**, Tokai (JP); **Daisuke Iguchi**, Chita-gun (JP)

(73) Assignee: **TOYOTA JIDOSHA KABUSHIKI KAISHA**

(**) Term: **15 Years**

(21) Appl. No.: **29/738,527**

(22) Filed: **Jun. 18, 2020**

(30) **Foreign Application Priority Data**

Dec. 20, 2019 (JP) 2019-028416

(51) **LOC (13) Cl.** **12-16**

(52) **U.S. Cl.**
USPC **D12/169**

(58) **Field of Classification Search**
USPC D12/169, 163, 196, 86, 90-92;
296/180.1, 180.2; 293/102, 113, 115,
293/117, 120

CPC B60R 19/52; B60R 2019/25; B62D 25/084
See application file for complete search history.

(56) **References Cited**

U.S. PATENT DOCUMENTS

D814,985 S * 4/2018 Peat D12/169
D820,739 S * 6/2018 Suga D12/169
D824,300 S * 7/2018 Badstuebner D12/169
D841,535 S * 2/2019 Buckingham D12/169
D841,536 S * 2/2019 Ojea D12/169
D843,277 S * 3/2019 Ojea D12/169

D886,003 S * 6/2020 Kusunoki D12/169
D886,693 S * 6/2020 Matsuno D12/169
D891,325 S * 7/2020 Bucher D12/169
D904,243 S * 12/2020 Utsunomiya D12/169
D904,248 S * 12/2020 Katou D12/169
D904,250 S * 12/2020 Wheel D12/169
D904,941 S * 12/2020 Utsunomiya D12/169
D908,558 S * 1/2021 Bischoff D12/169
D913,873 S * 3/2021 Murakami D12/169
D913,875 S * 3/2021 Bischoff D12/169
D913,876 S * 3/2021 Bischoff D12/169

OTHER PUBLICATIONS

netcarshow.com, Mazda CX-5 (2017), <https://www.netcarshow.com/mazda/2017-cx-5/>, available as early as Mar. 18, 2019.
netcarshow.com, Porsche Macan (2019), <https://www.netcarshow.com/porsche/2019-macan/>, available as early as Mar. 18, 2019.

* cited by examiner

Primary Examiner — Melody N Brown

(74) *Attorney, Agent, or Firm* — Saidman DesignLaw Group, LLC

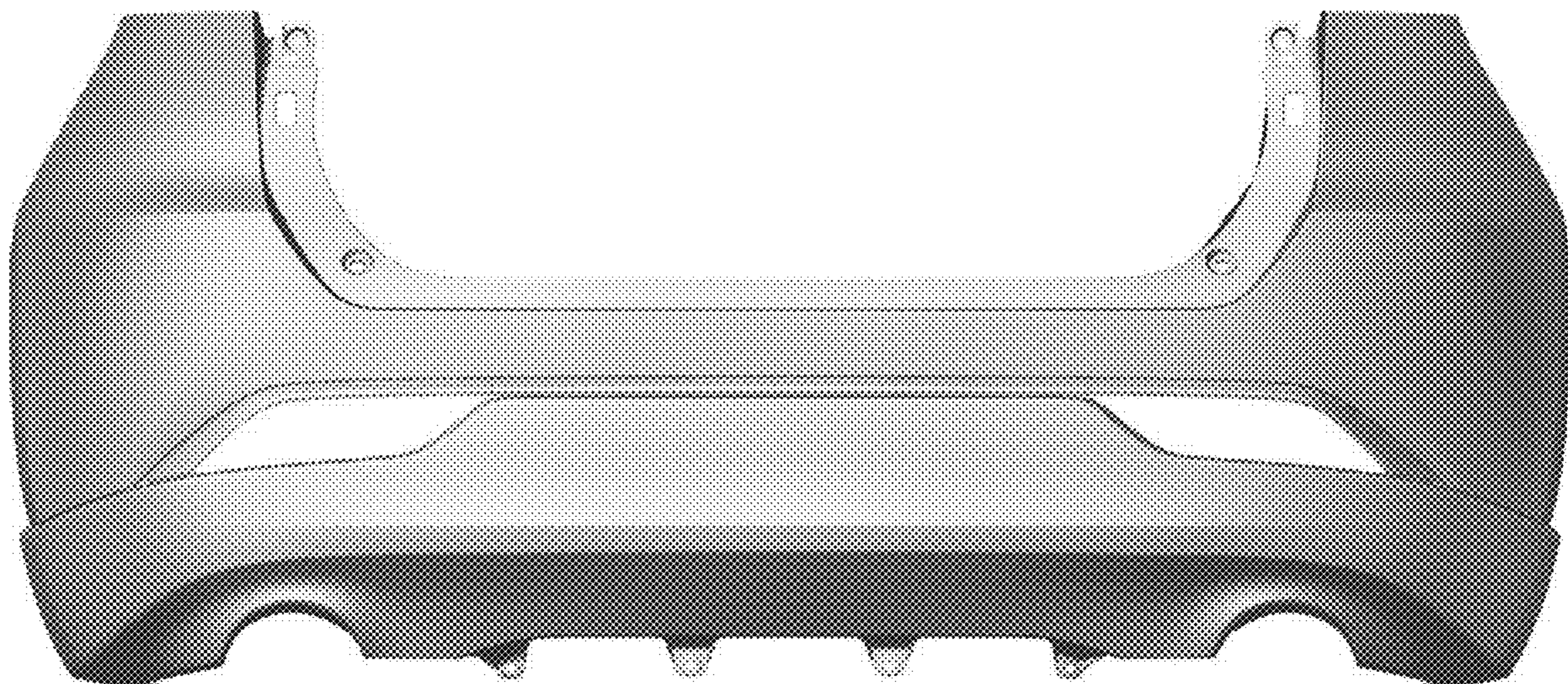
(57) **CLAIM**

The ornamental design for a rear bumper for an automobile, as shown and described.

DESCRIPTION

FIG. 1 is a perspective view of a rear bumper for an automobile showing our new design;
FIG. 2 is a front view thereof;
FIG. 3 is a rear view thereof;
FIG. 4 is a right side view thereof;
FIG. 5 is a left side view thereof;
FIG. 6 is a top view thereof; and,
FIG. 7 is a bottom view thereof.

1 Claim, 7 Drawing Sheets



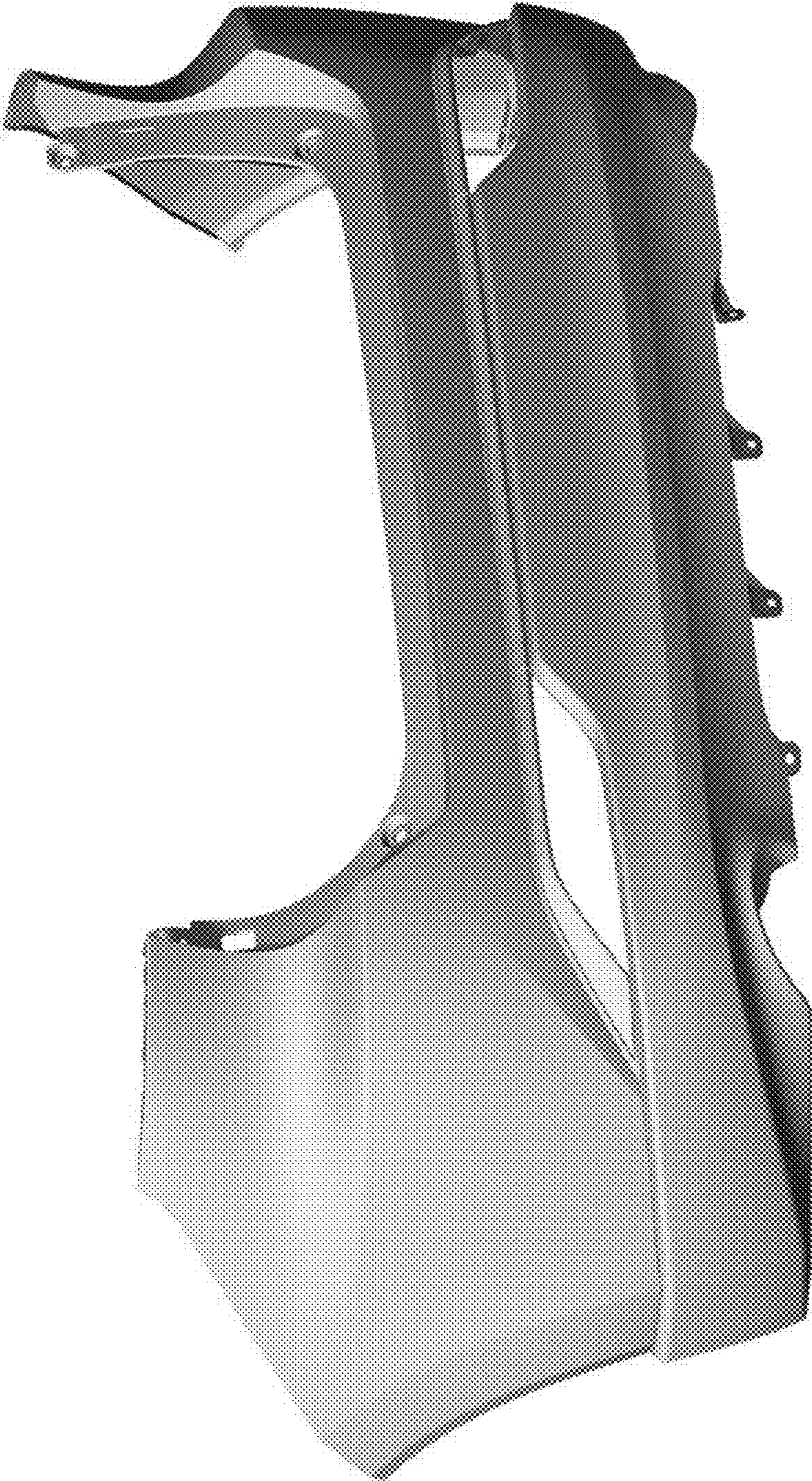


FIG. 1

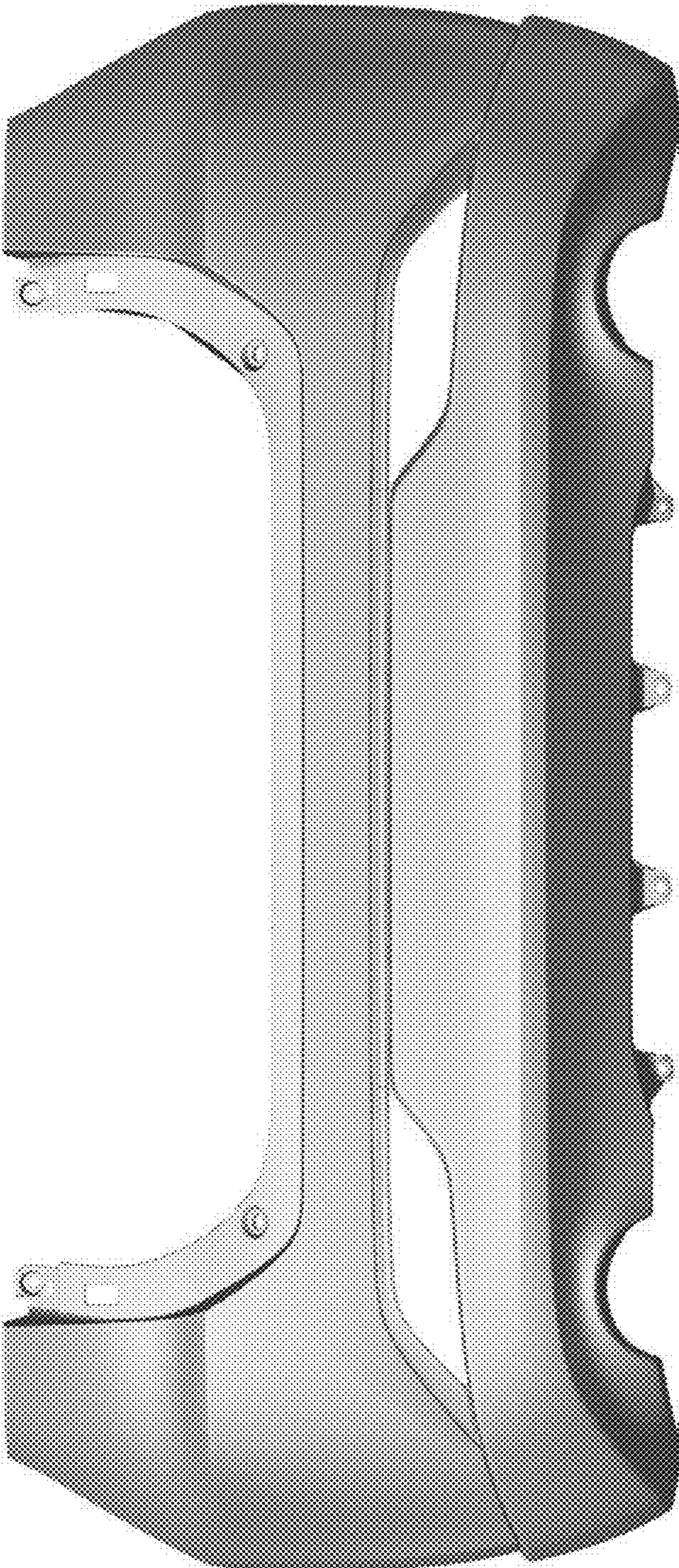


FIG. 2

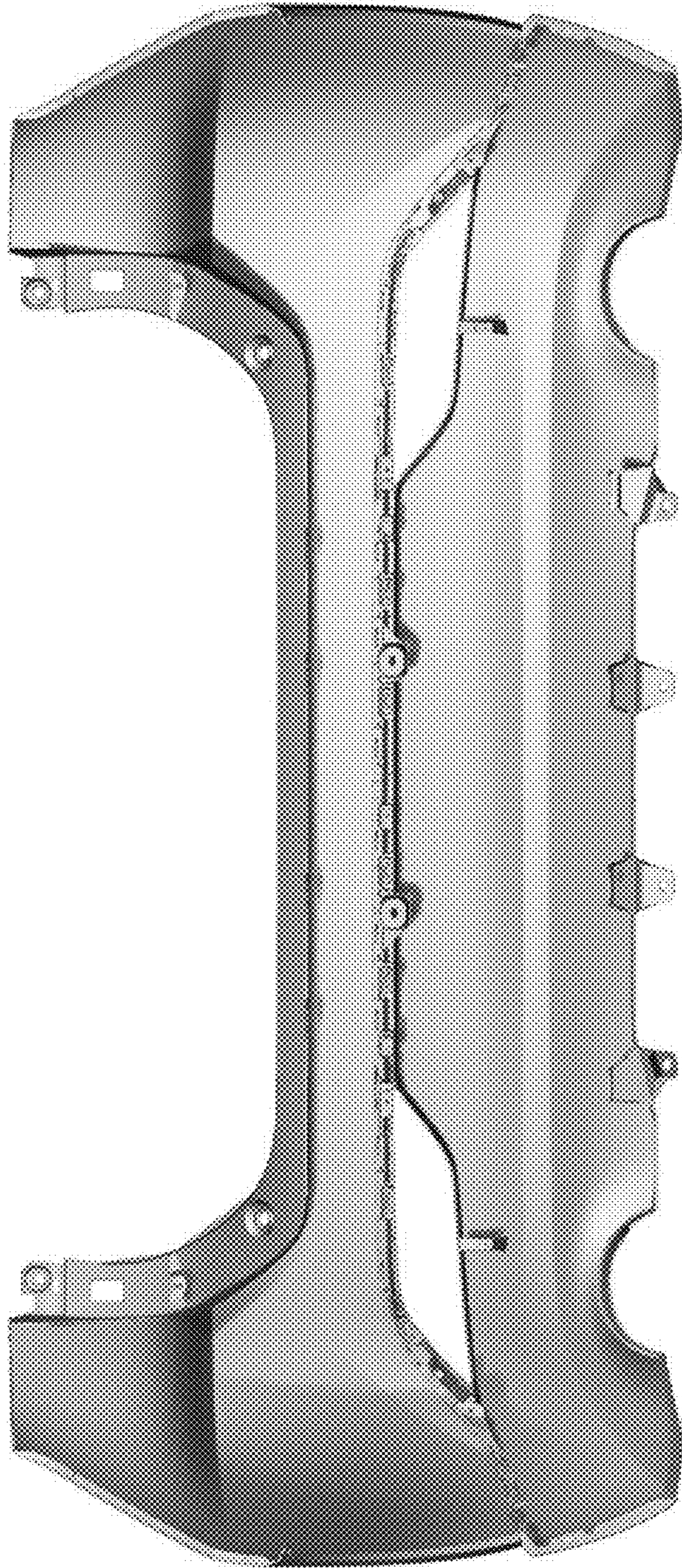


FIG. 3

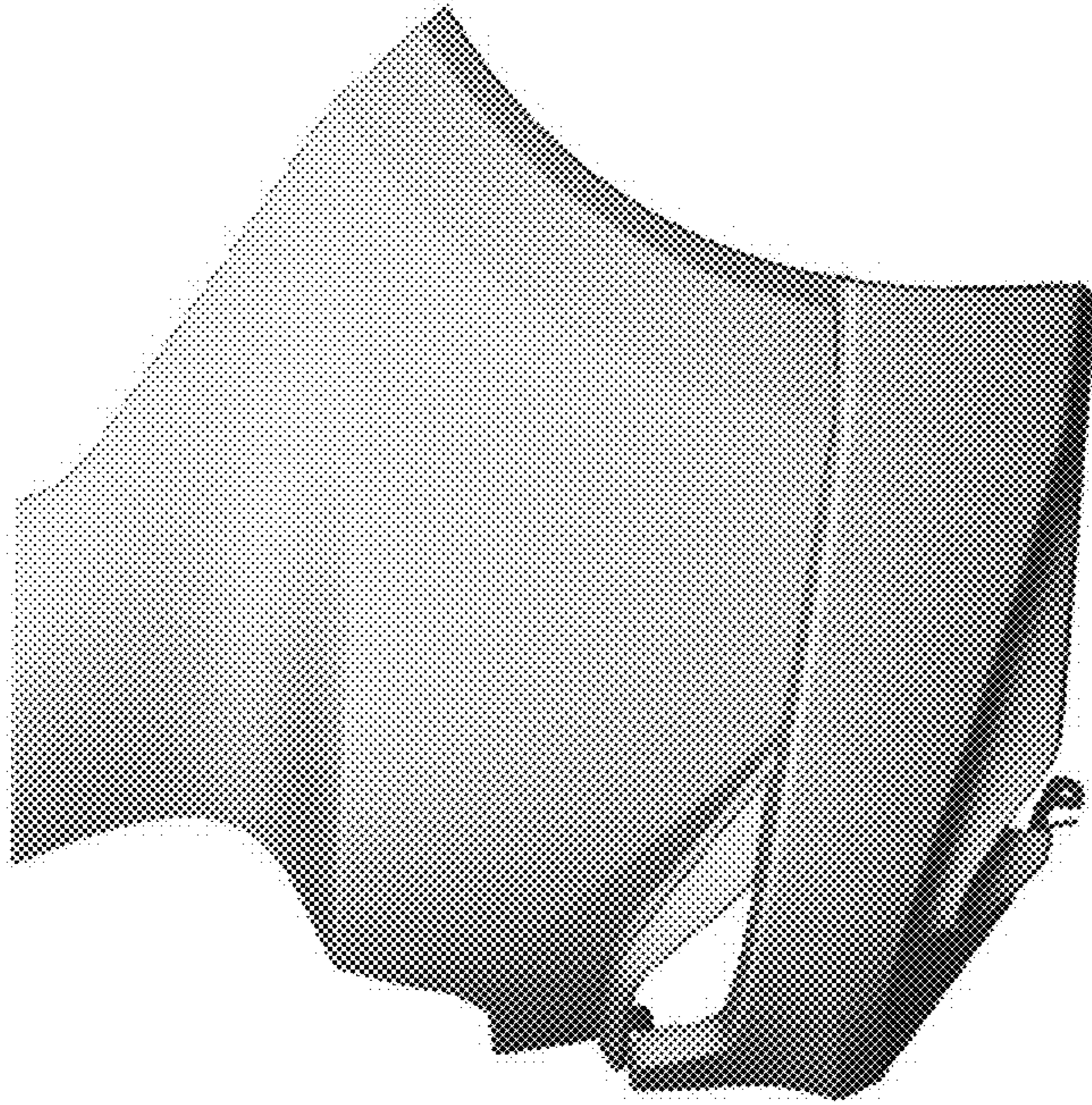


FIG. 4

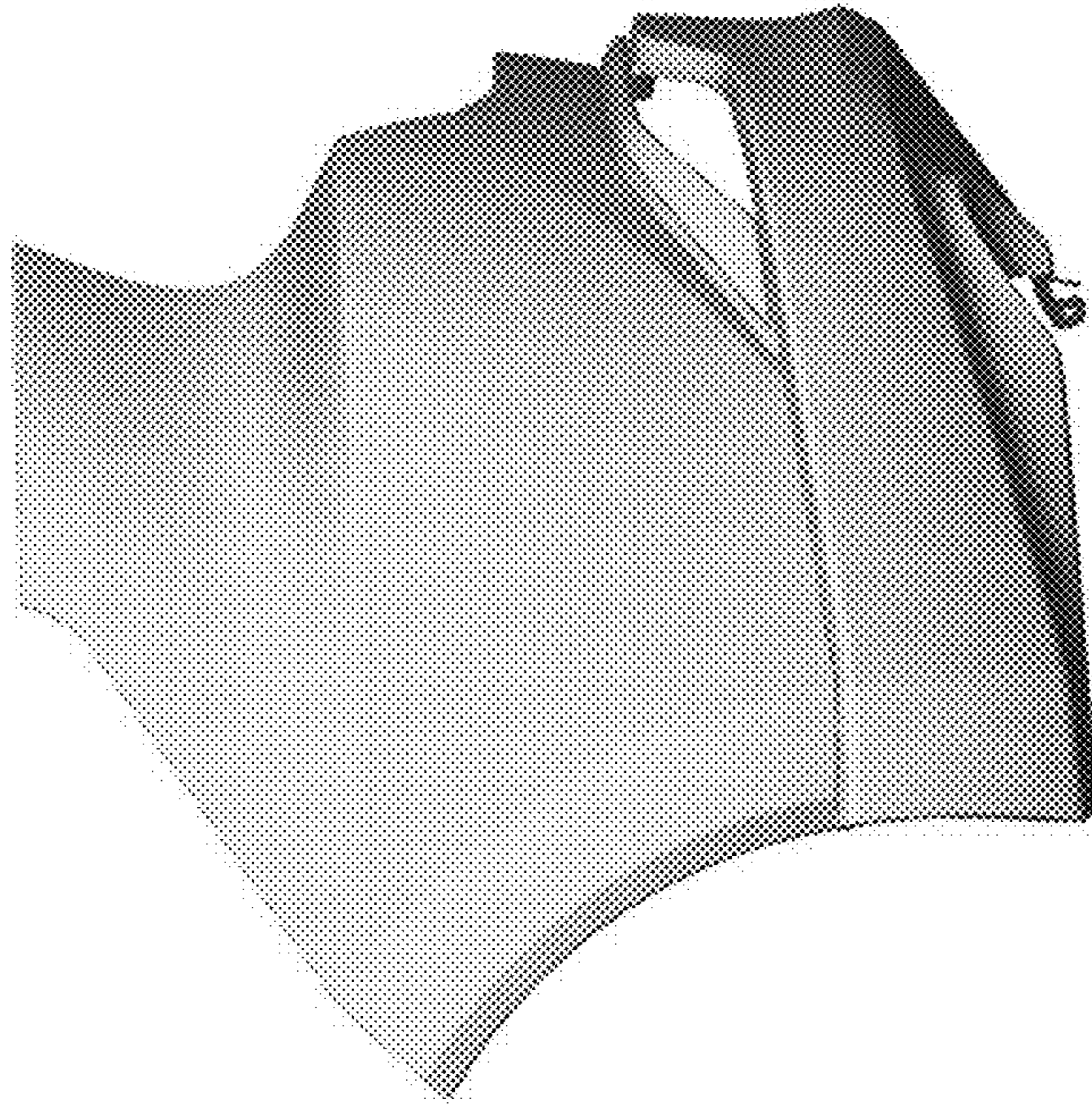


FIG. 5

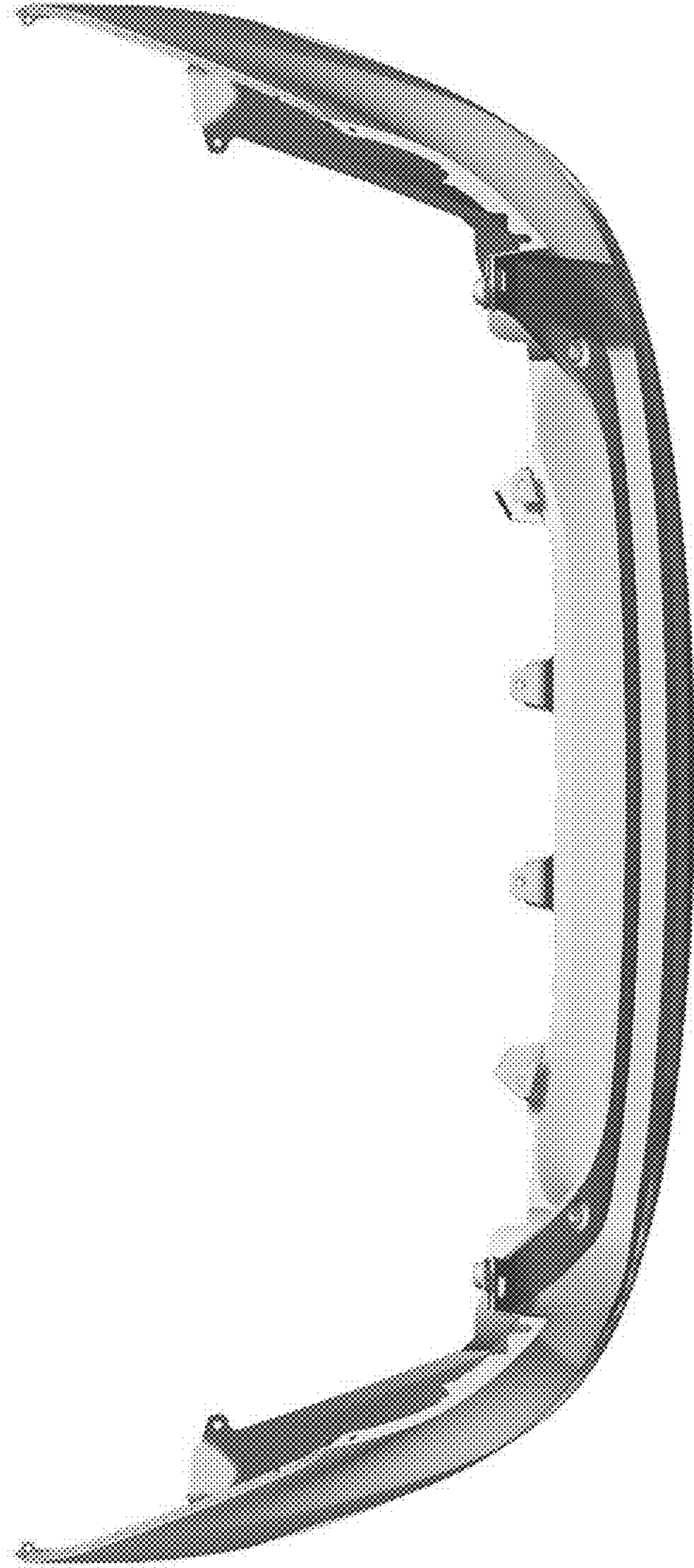


FIG. 6

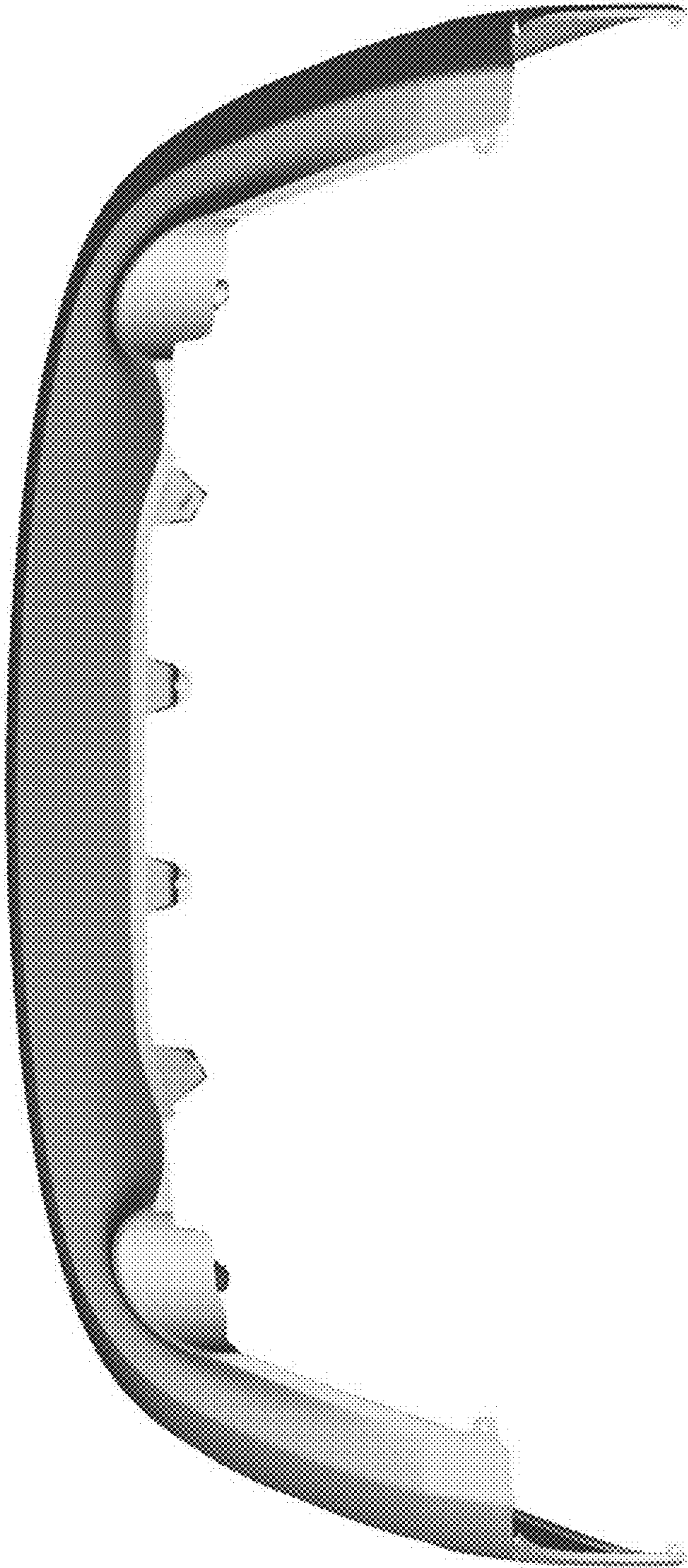


FIG. 7

UNITED STATES PATENT AND TRADEMARK OFFICE
CERTIFICATE OF CORRECTION

PATENT NO. : D932,959 S
APPLICATION NO. : 29/738527
DATED : October 12, 2021
INVENTOR(S) : Koyama et al.

Page 1 of 1

It is certified that error appears in the above-identified patent and that said Letters Patent is hereby corrected as shown below:

On the Title Page

Item (73) Assignee:

“TOYOTA JDOSHA KABUSHIKI KAISHA”

Should read:

--TOYOTA JIDOSHA KABUSHIKI KAISHA--

Signed and Sealed this
Fourteenth Day of December, 2021



Drew Hirshfeld
*Performing the Functions and Duties of the
Under Secretary of Commerce for Intellectual Property and
Director of the United States Patent and Trademark Office*