



US00D932958S

(12) **United States Design Patent** (10) **Patent No.:** **US D932,958 S**  
**Schmölz** (45) **Date of Patent:** **\*\* Oct. 12, 2021**

(54) **FRONT BUMPER FOR MOTOR VEHICLE**

(71) Applicant: **Dr. Ing. h.c. F. Porsche**  
**Aktiengesellschaft, Stuttgart (DE)**

(72) Inventor: **Fabian Schmölz, Althengstett (DE)**

(73) Assignee: **Dr. Ing. h.c. F. Porsche**  
**Aktiengesellschaft**

(\*\*) Term: **15 Years**

(21) Appl. No.: **29/732,640**

(22) Filed: **Apr. 27, 2020**

(30) **Foreign Application Priority Data**

Oct. 28, 2019 (DE) ..... 402019101157.9

(51) **LOC (13) Cl.** ..... **12-16**

(52) **U.S. Cl.**  
USPC ..... **D12/169**

(58) **Field of Classification Search**

USPC ..... D12/82, 85, 86, 88, 89, 90, 91, 92, 93,  
D12/96, 98, 99, 101, 102, 106, 163, 164,  
D12/165, 166, 167, 169, 170, 171, 172,  
D12/173, 181, 184, 185, 190, 192, 196,  
D12/216, 223, 400; D21/533, 548, 552,  
D21/561

CPC ..... B60R 19/00; B60R 19/02; B60R 19/04;  
B60R 19/16; B60R 19/18; B60R 19/24;  
B60R 19/26; B60R 19/44; B60R 19/48;  
B60R 19/52; B60R 19/56; B60R  
2019/007; B60R 2019/522; B60R  
2019/525; B60R 2019/527; B60R  
2019/1886; B62D 25/02; B62D 25/08;  
B62D 25/16; B60K 11/08; B60K 11/085

See application file for complete search history.

(56) **References Cited**

**U.S. PATENT DOCUMENTS**

D293,095 S \* 12/1987 Ienaga ..... D12/163  
D546,739 S \* 7/2007 Kulla ..... D12/169

D559,754 S \* 1/2008 Murkett ..... D12/164  
D588,047 S \* 3/2009 Kulla ..... D12/91  
D666,130 S \* 8/2012 Varga ..... D12/169  
D688,988 S \* 9/2013 Varga ..... D12/169  
D696,159 S \* 12/2013 Borkert ..... D12/92  
D697,453 S \* 1/2014 Borkert ..... D12/92  
D702,152 S \* 4/2014 Borkert ..... D12/92  
D712,790 S \* 9/2014 Scheinhutte ..... D12/92  
D712,791 S \* 9/2014 Scheinhutte ..... D12/92  
D715,196 S \* 10/2014 Yamashita ..... D12/92  
D766,785 S 9/2016 Varga  
D775,009 S 12/2016 Baum

(Continued)

**OTHER PUBLICATIONS**

Porsche Macan, Published Jul. 20, 2021 [online], [retrieved on Aug. 21, 2021]. Retrieved from the Internet: <https://uk.motor1.com/news/521234/2022-porsche-macan-debut/> (Year: 2021).\*

*Primary Examiner* — Christian P. McLean

*Assistant Examiner* — Adam C Mager

(74) *Attorney, Agent, or Firm* — RatnerPrestia

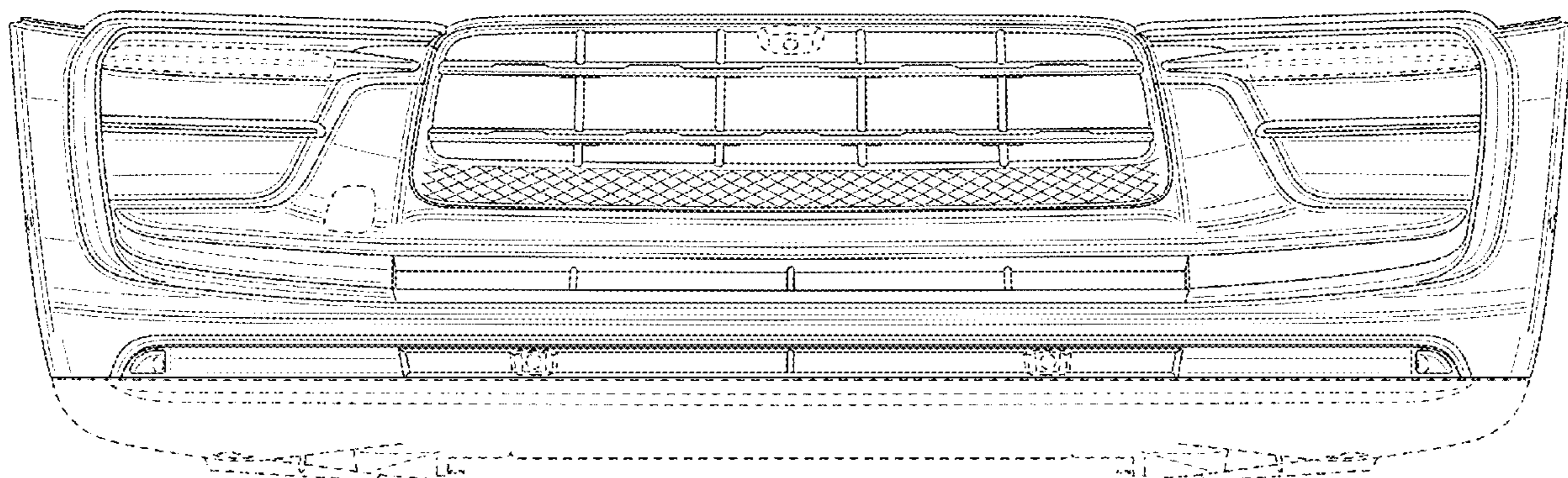
(57) **CLAIM**

The ornamental design for a front bumper for motor vehicle, as shown and described.

**DESCRIPTION**

FIG. 1 is a front perspective view of a front bumper for motor vehicle;  
FIG. 2 is a front elevation view thereof;  
FIG. 3 is right side view thereof, the left side being a substantial mirror image thereof;  
FIG. 4 is a top plan view thereof; and,  
FIG. 5 is a bottom plan view thereof.  
The portions of the front bumper for motor vehicle shown in broken lines are for illustrative and environmental purposes and form no part of the claimed design.

**1 Claim, 5 Drawing Sheets**



(56)

**References Cited**

U.S. PATENT DOCUMENTS

D790,401	S	*	6/2017	Scheinutte	.....	D12/91
D797,018	S	*	9/2017	Yamashita	.....	D12/169
D801,891	S	*	11/2017	Scheinutte	.....	D12/169
D805,432	S	*	12/2017	Scheinutte	.....	D12/91
D805,433	S	*	12/2017	Scheinutte	.....	D12/91
D826,781	S	*	8/2018	Scheinutte	.....	D12/91
D834,455	S	*	11/2018	Yamashita	.....	D12/92
D857,556	S	*	8/2019	Scheinutte	.....	D12/91
D857,570	S	*	8/2019	Chung	.....	D12/169
D858,354	S	*	9/2019	Scheinutte	.....	D12/91
D858,355	S	*	9/2019	Scheinutte	.....	D12/91
D861,554	S	*	10/2019	Schmolz	.....	D12/169
D867,932	S	*	11/2019	Yamashita	.....	D12/92
D913,856	S	*	3/2021	Lenglin	.....	D12/92
D920,203	S	*	5/2021	Choi	.....	D12/196
2010/0071977	A1	*	3/2010	Ritz	.....	B60K 11/085 180/68.1

\* cited by examiner



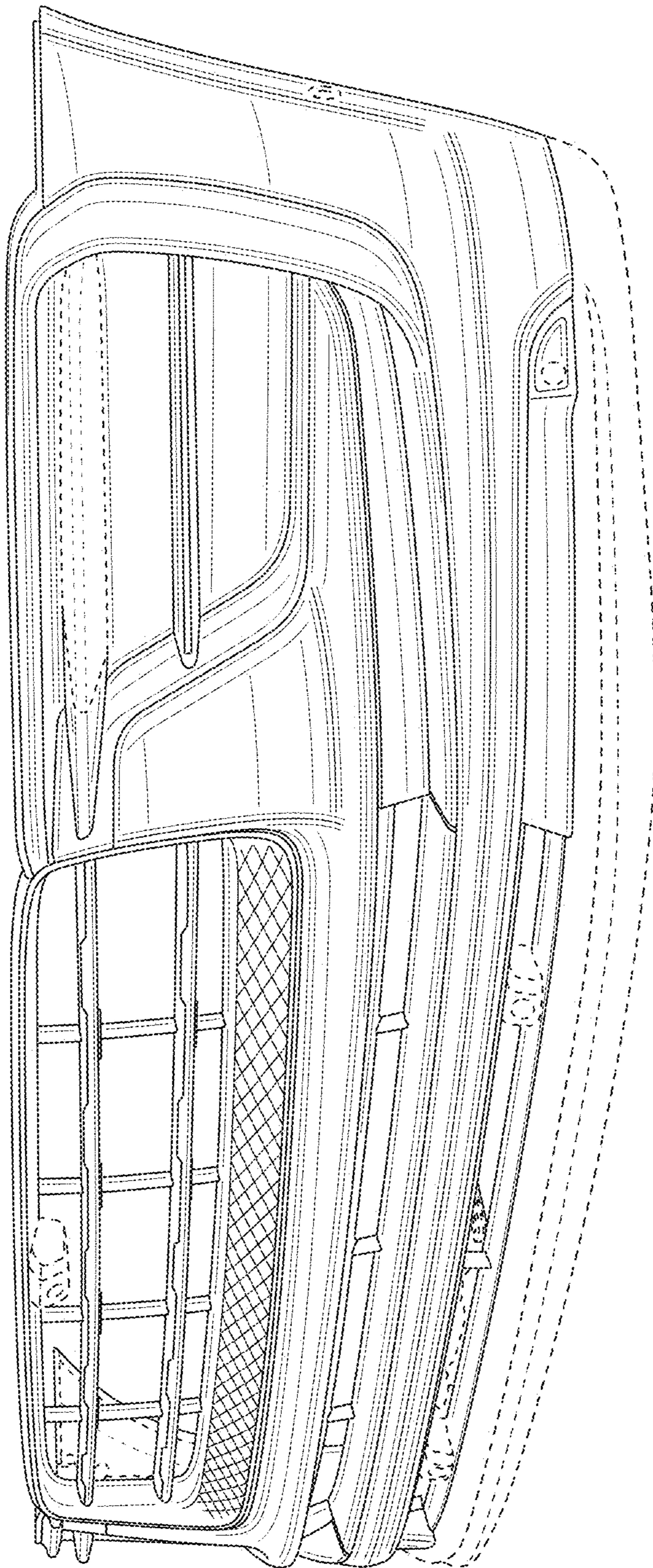


FIG. 1

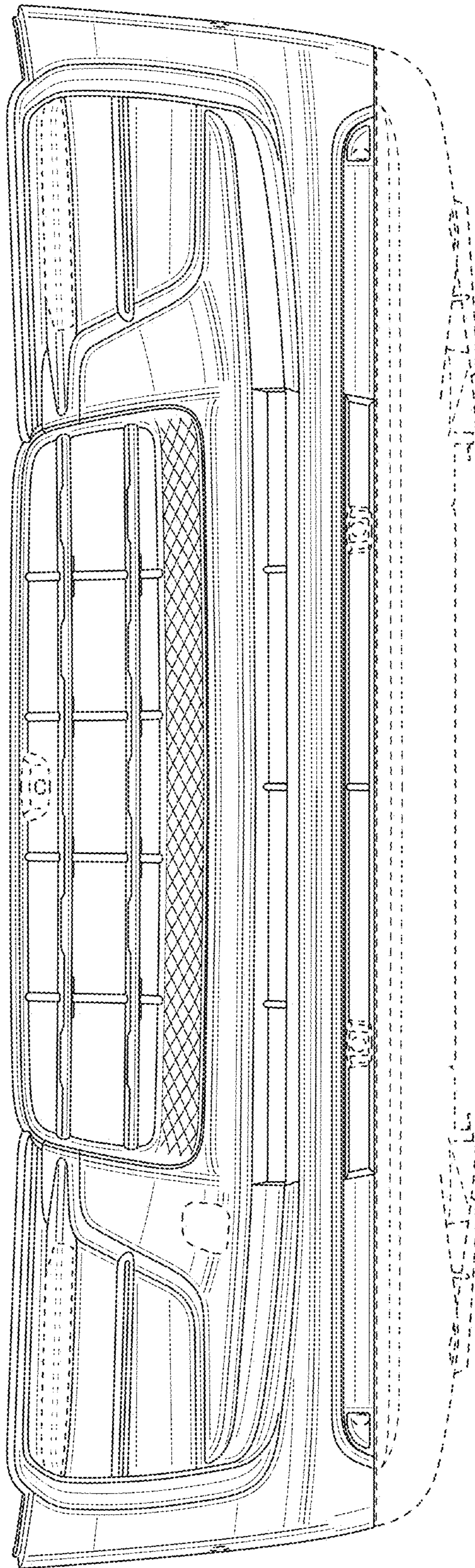


FIG. 2

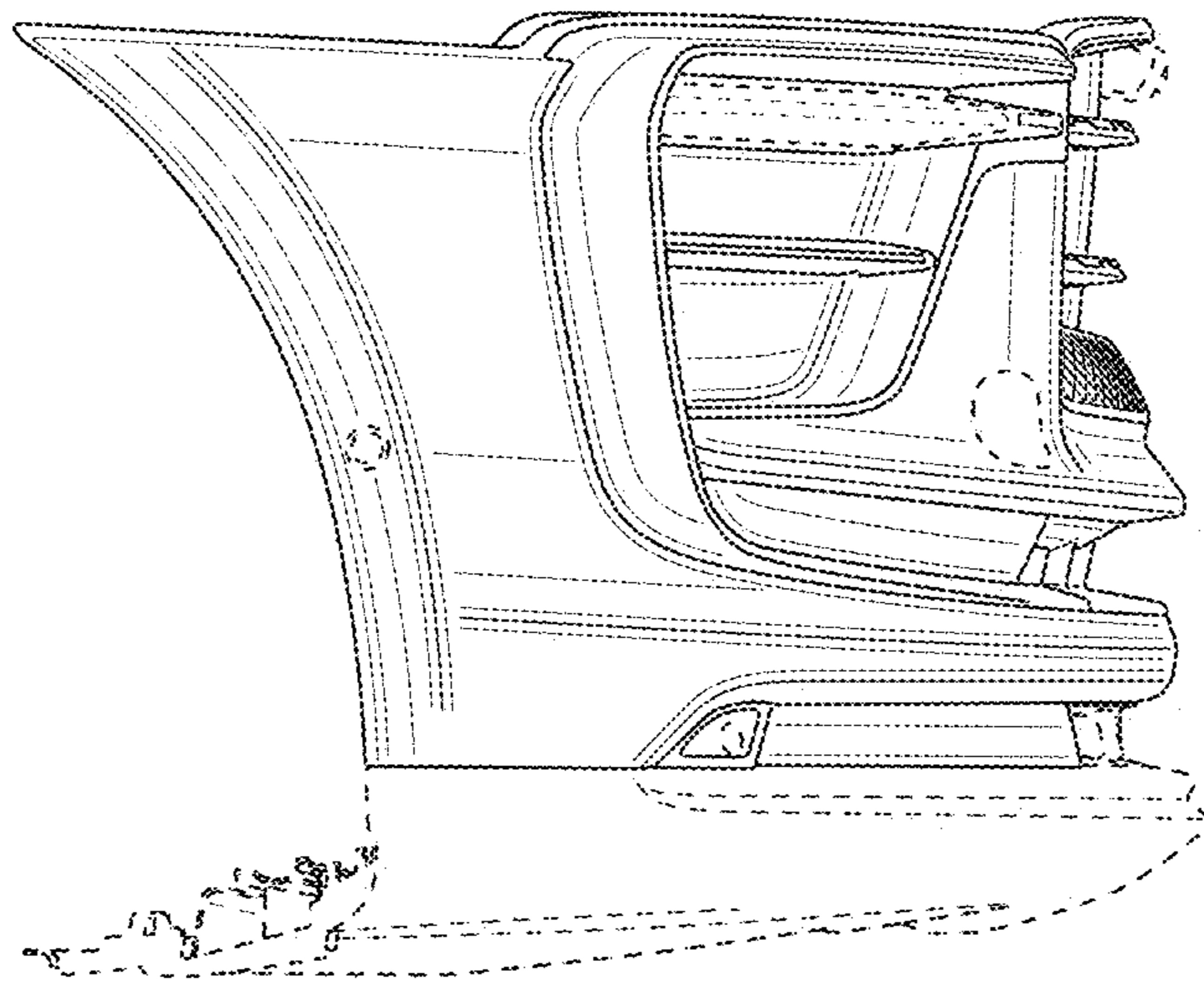


FIG. 3



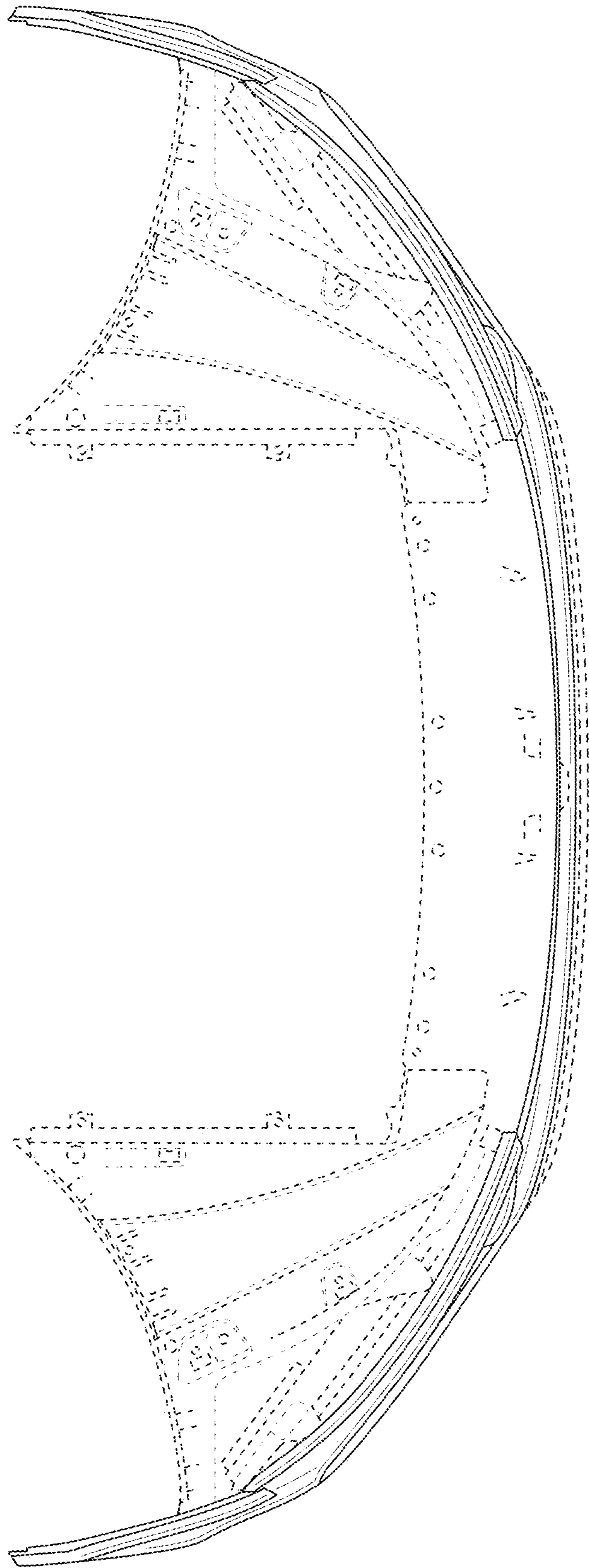


FIG. 4

