



US00D932955S

(12) **United States Design Patent** (10) **Patent No.:** **US D932,955 S**
Peat (45) **Date of Patent:** **** Oct. 12, 2021**

(54) **REAR PORTION OF A VEHICLE**
(71) Applicant: **Jaguar Land Rover Limited**, Coventry (GB)
(72) Inventor: **Anthony Peat**, Coventry (GB)
(73) Assignee: **Jaguar Land Rover Limited**, Whitley Coventry (GB)
(**) Term: **15 Years**
(21) Appl. No.: **29/710,412**
(22) Filed: **Oct. 23, 2019**

D740,177 S * 10/2015 Callum D12/92
D748,535 S * 2/2016 Hatton D12/92
D758,921 S * 6/2016 Hatton D12/92
D780,076 S * 2/2017 Peat D12/164
D793,908 S * 8/2017 Hatton D12/92

(Continued)

Primary Examiner — Melody N Brown
(74) *Attorney, Agent, or Firm* — Wood Herron & Evans LLP

(57) **CLAIM**

The ornamental design for a rear portion of a vehicle, as shown and described.

DESCRIPTION

FIG. 1 is a right, front perspective view of a rear portion of a vehicle showing my new design;
FIG. 2 is a left, front perspective view thereof;
FIG. 3 is a left, rear perspective view thereof;
FIG. 4 is a right, rear perspective view thereof;
FIG. 5 is a front view thereof;
FIG. 6 is a right side view thereof;
FIG. 7 is a left side view thereof; and,
FIG. 8 is a top view thereof.

In FIGS. 1-8, the inventive rear portion is shown rearward of the larger broken line. The rest of the vehicle that is located forward of the larger broken line is shown in de-emphasized and half-tone portions. These portions are included to show environmental structure and form no part of the claimed design. Also, in FIGS. 1, 4, 5, 6, and 8, the smaller broken line forms no part of the invention, but instead is included to show environmental structure, namely, the fuel door.

The portions of the vehicle shown throughout the drawing views in a de-emphasized and half-tone form outside the broken lines and the broken lines representing the boundary and configuration of what is claimed as the design are all for environmental and illustrative purposes and form no part of the claimed design.

1 Claim, 8 Drawing Sheets

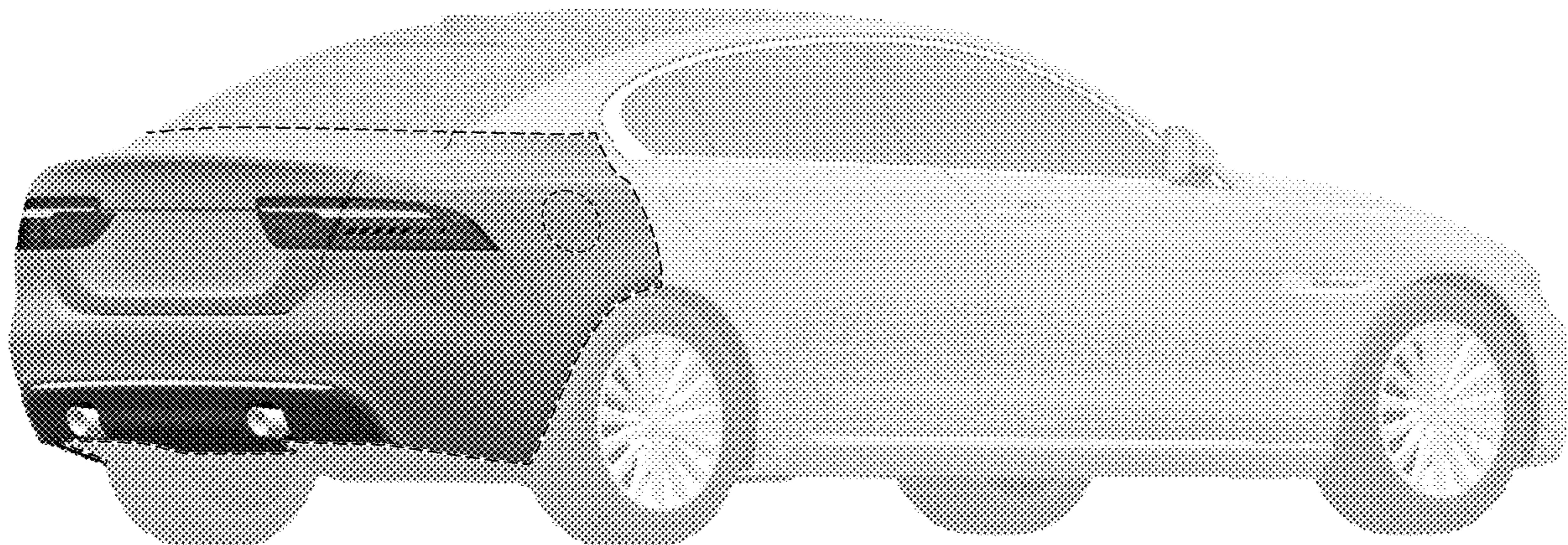
Related U.S. Application Data

(62) Division of application No. 29/640,913, filed on Mar. 19, 2018, now Pat. No. Des. 867,931.
(51) **LOC (13) Cl.** **12-16**
(52) **U.S. Cl.**
USPC **D12/164**; D12/86
(58) **Field of Classification Search**
USPC D12/86, 90-92, 88, 164; D21/424, 433, D21/434; 296/181.1-181.5, 183.1
CPC B62D 25/00; B62D 25/06; B62D 33/00; B62D 35/00
See application file for complete search history.

References Cited

U.S. PATENT DOCUMENTS

D686,535 S * 7/2013 Van Braeckel D12/92
D700,544 S * 3/2014 Ramaciotti D12/92
D704,101 S * 5/2014 Beaven D12/92
D705,129 S * 5/2014 Badstuebner D12/91
D706,174 S * 6/2014 Garand D12/92
D711,287 S * 8/2014 Butterworth D12/92
D711,288 S * 8/2014 Butterworth D12/92
D718,662 S * 12/2014 Ishizuka D12/92
D719,878 S * 12/2014 Webber D12/92
D726,074 S * 4/2015 Beaven D12/92



(56)

References Cited

U.S. PATENT DOCUMENTS

D811,943 S	*	3/2018	Peat	D12/92
D813,100 S	*	3/2018	Hatton	D12/92
D833,913 S	*	11/2018	Hatton	D12/92
D867,931 S	*	11/2019	Peat	D12/92

* cited by examiner

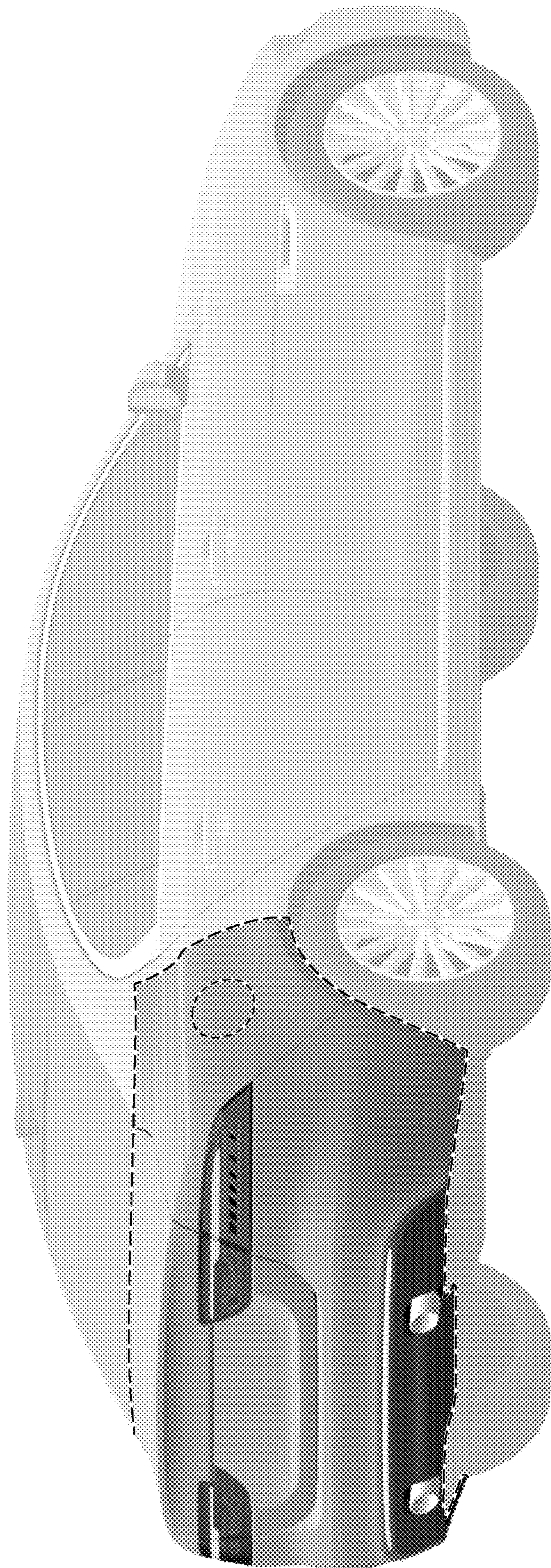


FIG. 1

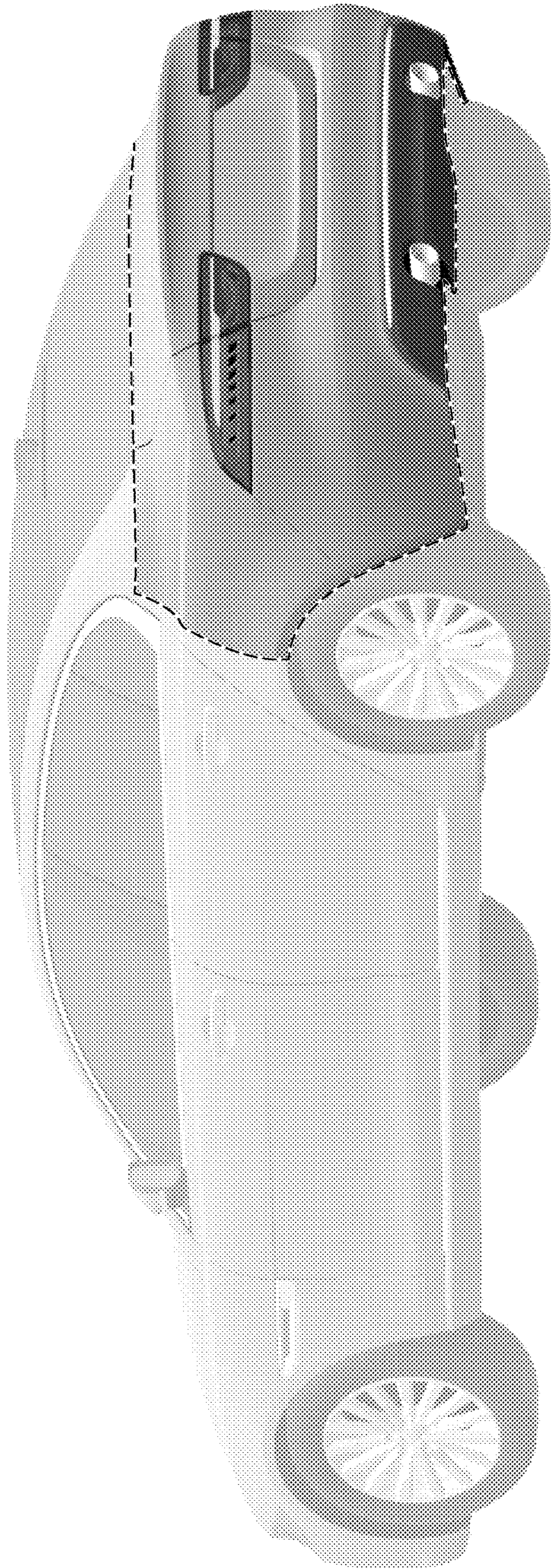


FIG. 2

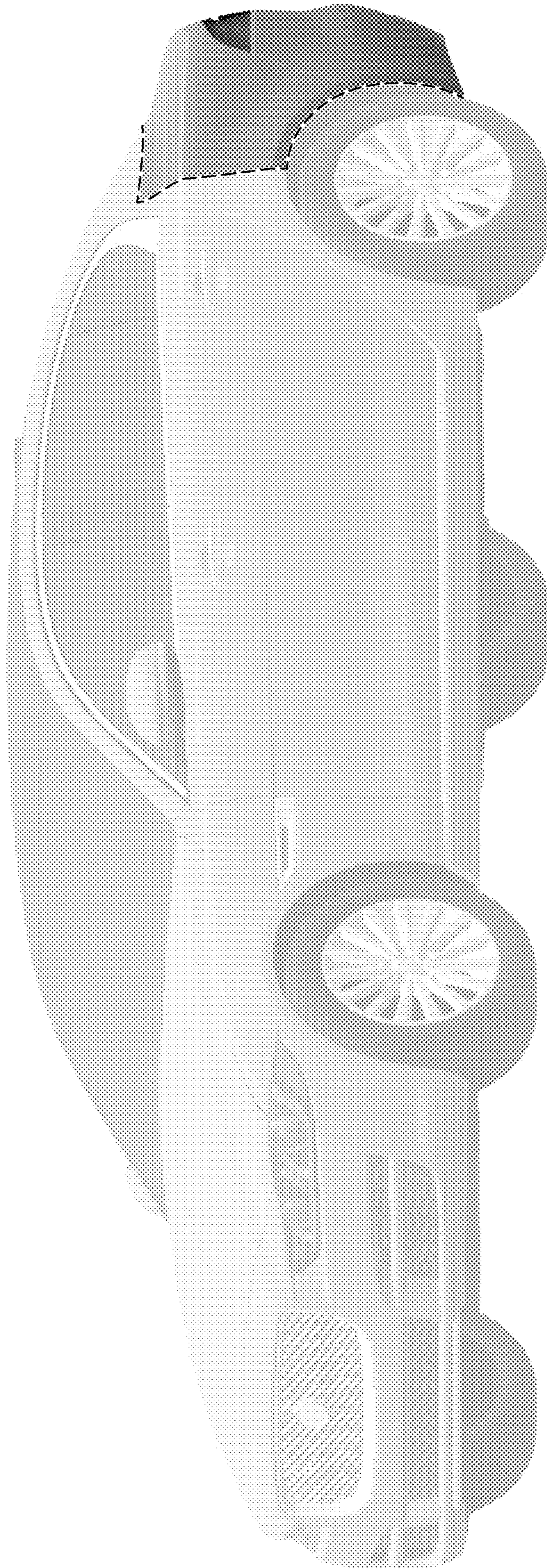


FIG. 3

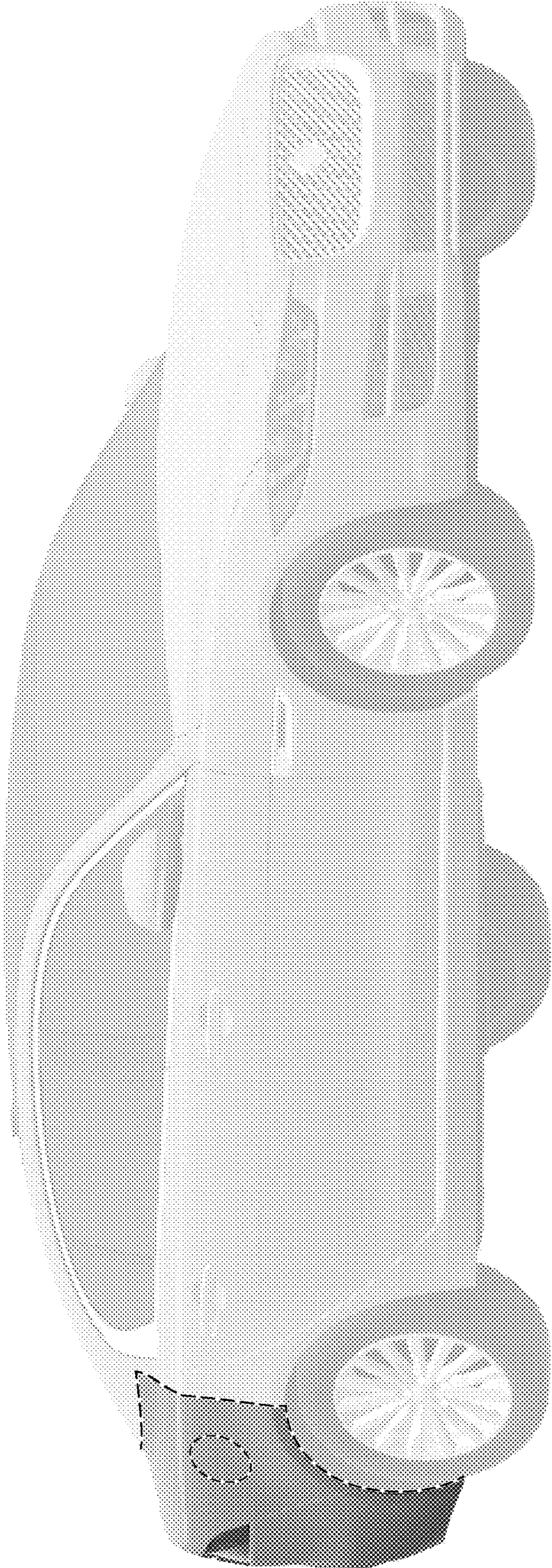


FIG. 4

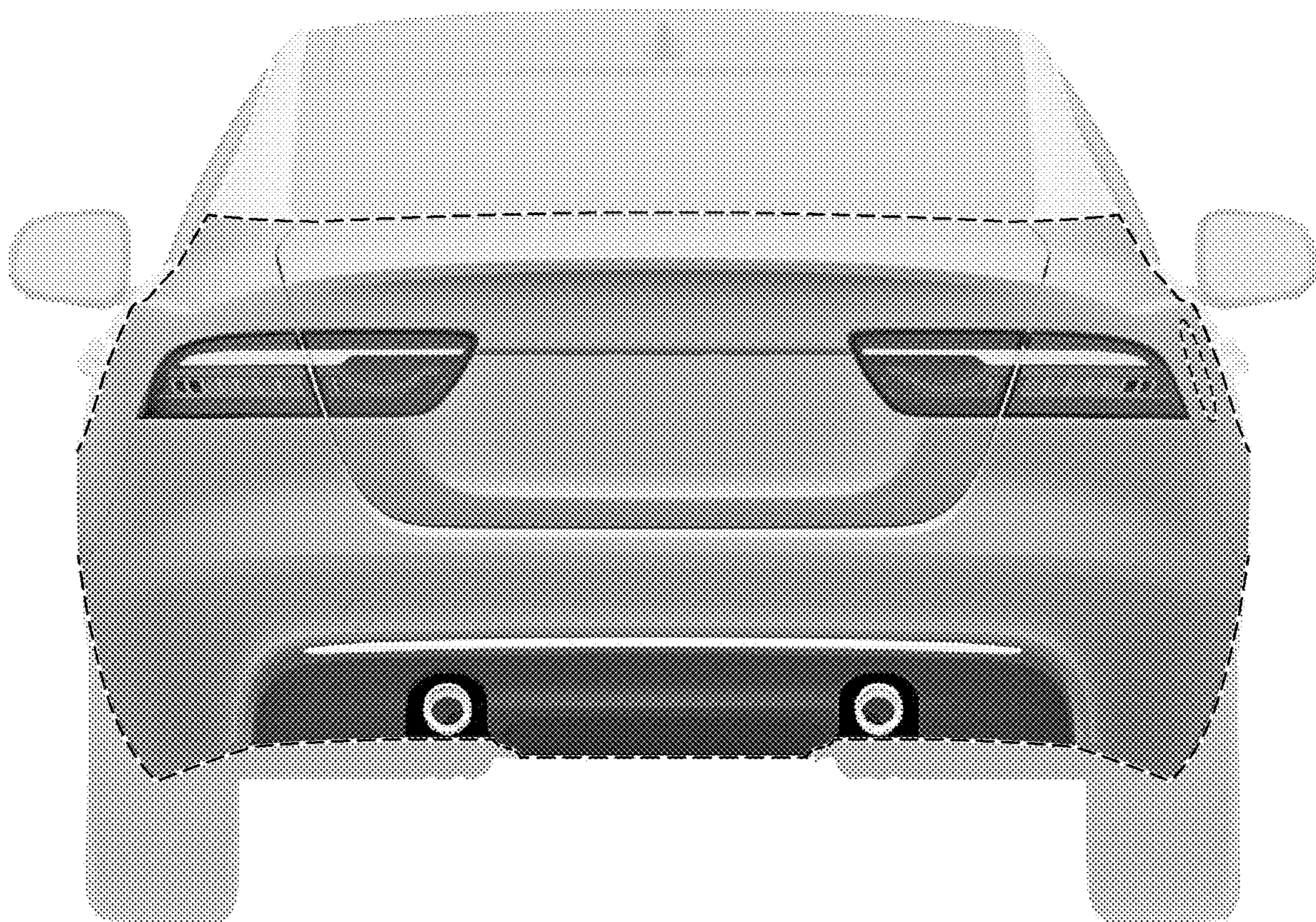


FIG. 5

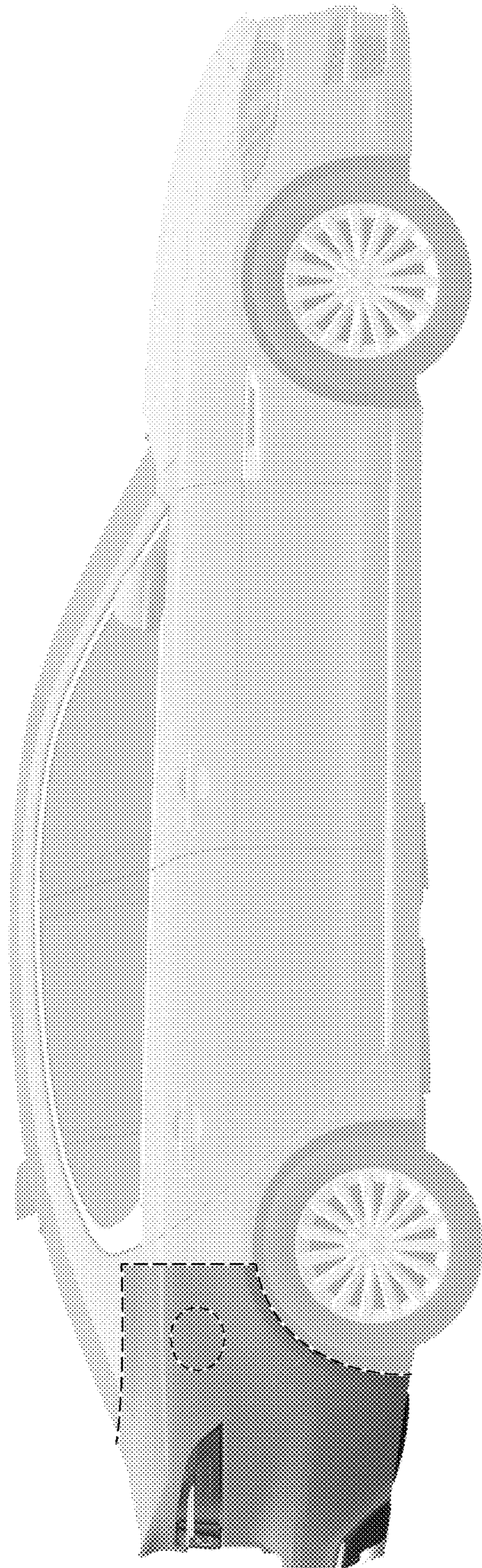


FIG. 6

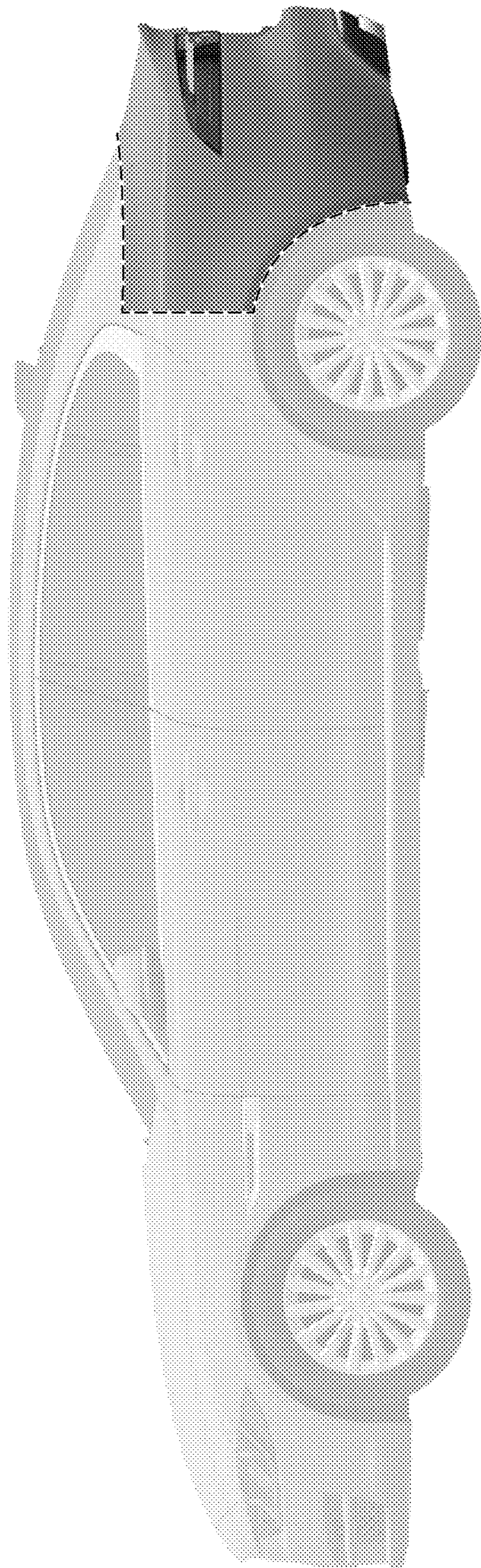


FIG. 7

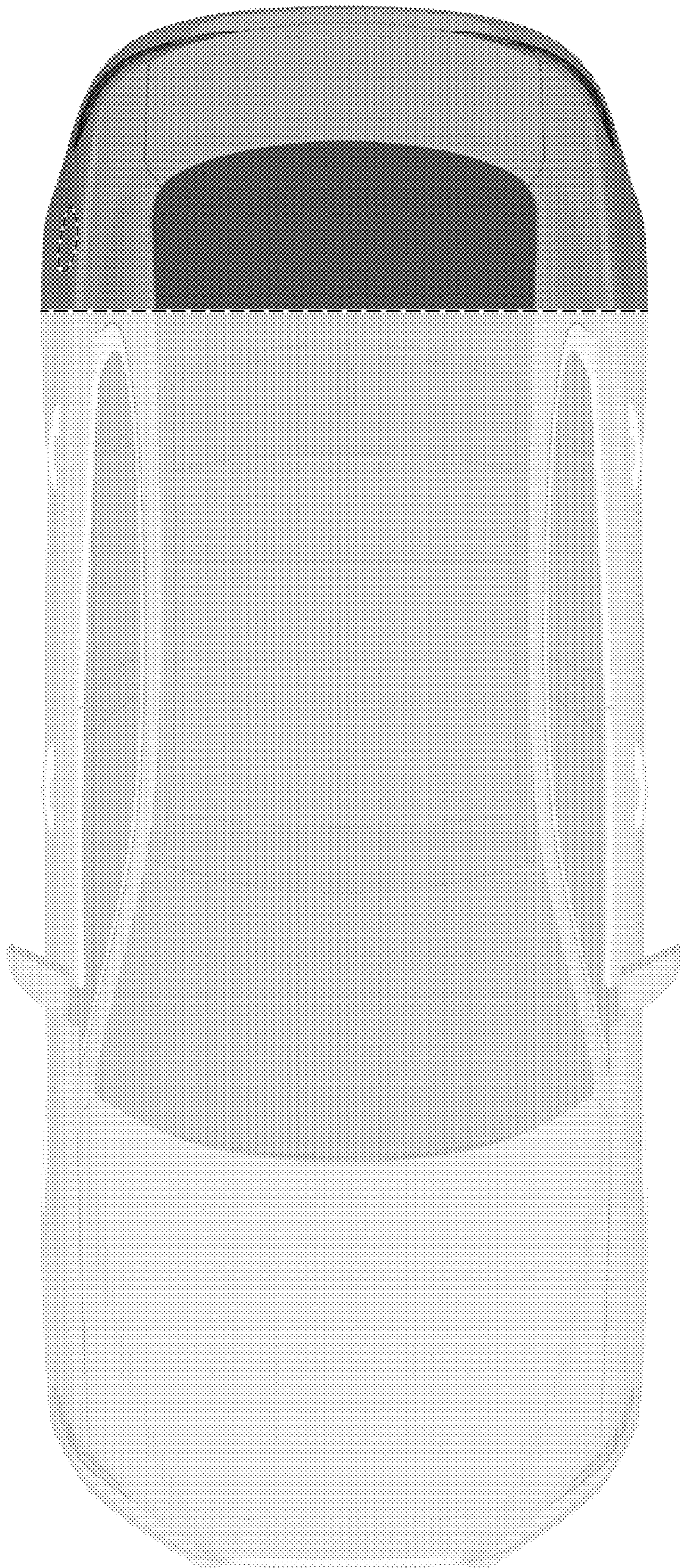


FIG. 8

UNITED STATES PATENT AND TRADEMARK OFFICE
CERTIFICATE OF CORRECTION

PATENT NO. : D932,955 S
APPLICATION NO. : 29/710412
DATED : October 12, 2021
INVENTOR(S) : Anthony Peat

Page 1 of 1


It is certified that error appears in the above-identified patent and that said Letters Patent is hereby corrected as shown below:

On the Title Page

Item (30), insert "Foreign Application Priority Data":

--(30) Foreign Application Priority Data

September 18, 2017 (EM).....004360550.--

Signed and Sealed this
Thirtieth Day of January, 2024

Katherine Kelly Vidal
Director of the United States Patent and Trademark Office