



US00D932951S

(12) **United States Design Patent**
Kucera

(10) **Patent No.:** **US D932,951 S**

(45) **Date of Patent:** **** Oct. 12, 2021**

(54) **TRAILER COUPLER**

(71) Applicant: **Kevin Kucera**, Bothell, WA (US)

(72) Inventor: **Kevin Kucera**, Bothell, WA (US)

(**) Term: **15 Years**

(21) Appl. No.: **29/741,227**

(22) Filed: **Jul. 10, 2020**

(51) **LOC (13) Cl.** **12-16**

(52) **U.S. Cl.**
USPC **D12/162**

(58) **Field of Classification Search**
USPC D12/159-162
CPC . B60D 1/60; B60D 1/065; B60D 1/00; B60D
1/06; B60D 1/36; B62D 33/033
See application file for complete search history.

(56) **References Cited**

U.S. PATENT DOCUMENTS

6,712,381	B1 *	3/2004	Moss	B60D 1/06 280/415.1
D862,306	S *	10/2019	Porath	B60D 1/605 D12/162
D869,997	S *	12/2019	Borkholder	D12/162
D887,910	S *	6/2020	Noel	D12/162
D894,800	S *	9/2020	Noel	D12/162

D898,628	S *	10/2020	Sagen	D12/162
D904,238	S *	12/2020	Harris	D12/162
2018/0333999	A1 *	11/2018	Garcia	B60D 1/60
2019/0329614	A1 *	10/2019	Borkholder	B60D 1/167
2019/0359232	A1 *	11/2019	Ring	B61G 5/02
2020/0346504	A1 *	11/2020	Wilkens	B60D 1/52
2020/0398623	A1 *	12/2020	Bowe	E05B 73/0005

* cited by examiner

Primary Examiner — Katrina A Betton

(74) *Attorney, Agent, or Firm* — Dean Craine; Marisa Whitaker

(57) **CLAIM**

The ornamental design for a trailer coupler, as shown and described.

DESCRIPTION

FIG. 1 is a front perspective view of a trailer coupler, showing my new design.

FIG. 2 is a top plan view thereof.

FIG. 3 is a front elevational view thereof.

FIG. 4 is a right-side elevational view thereof.

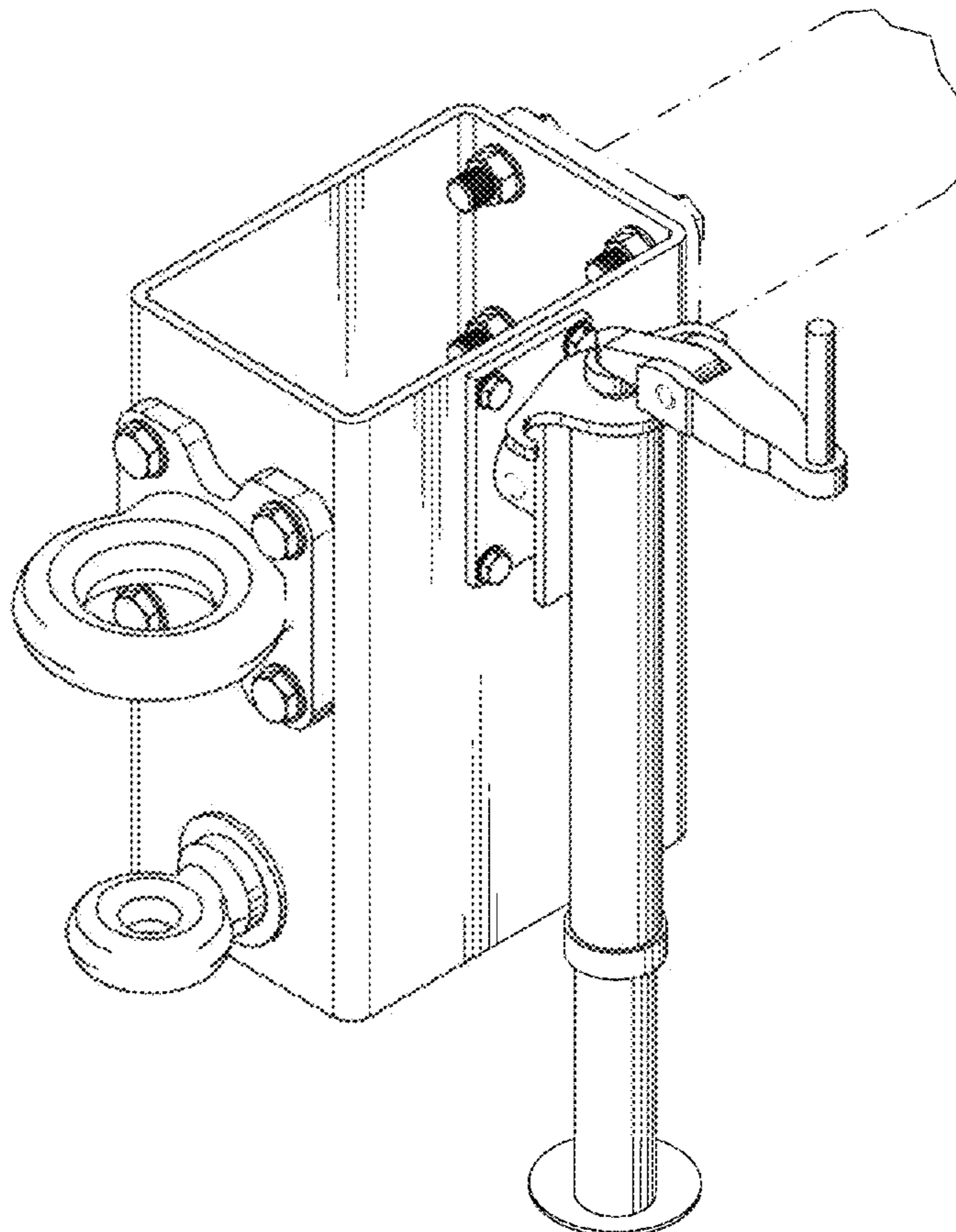
FIG. 5 is a rear elevation view thereof.

FIG. 6 is a left-side elevational view thereof; and,

FIG. 7 is a bottom plan view thereof.

The broken lines form no part of the claimed design. The design shown is not limited to any particular size and may be scaled larger or smaller.

1 Claim, 4 Drawing Sheets



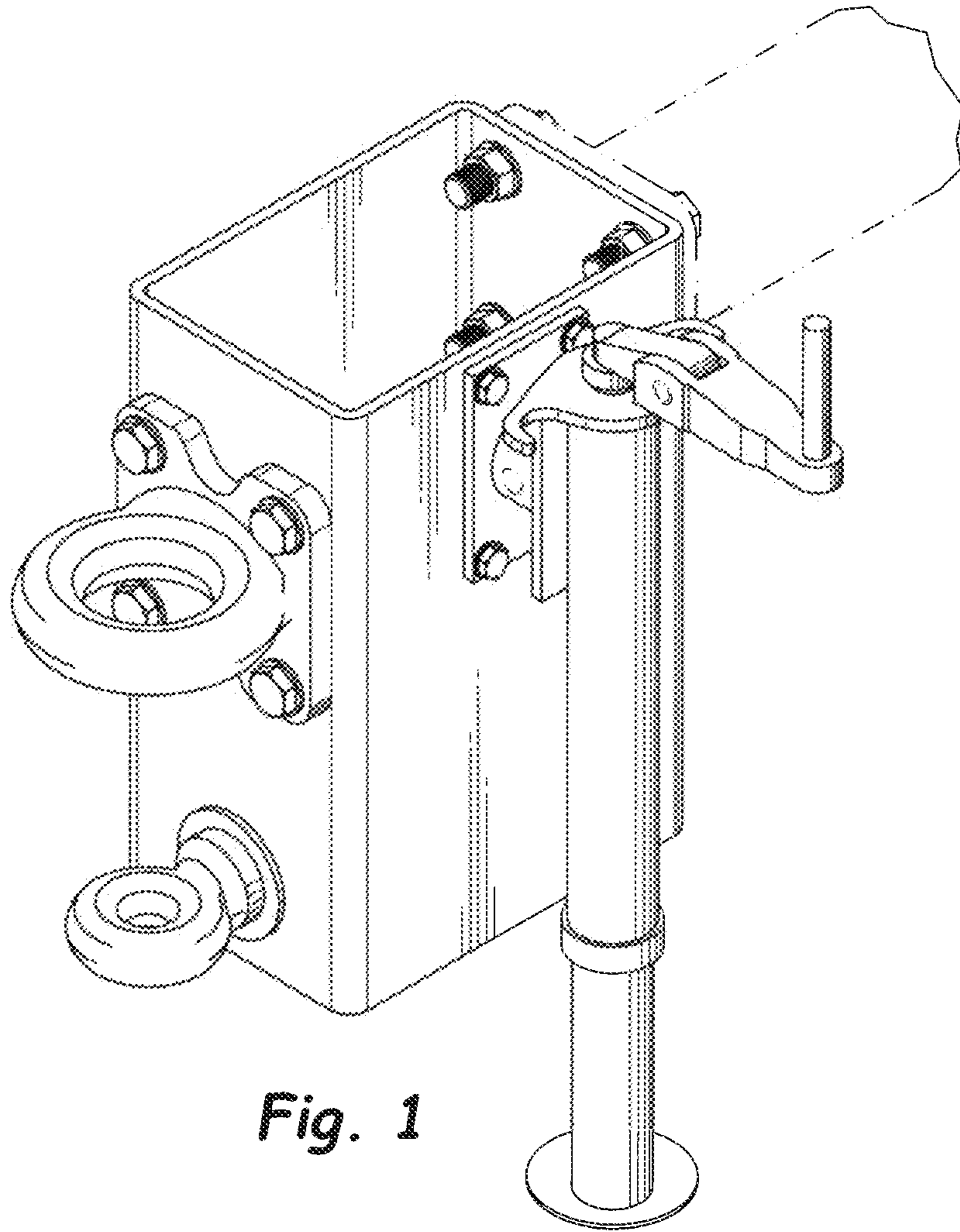


Fig. 1

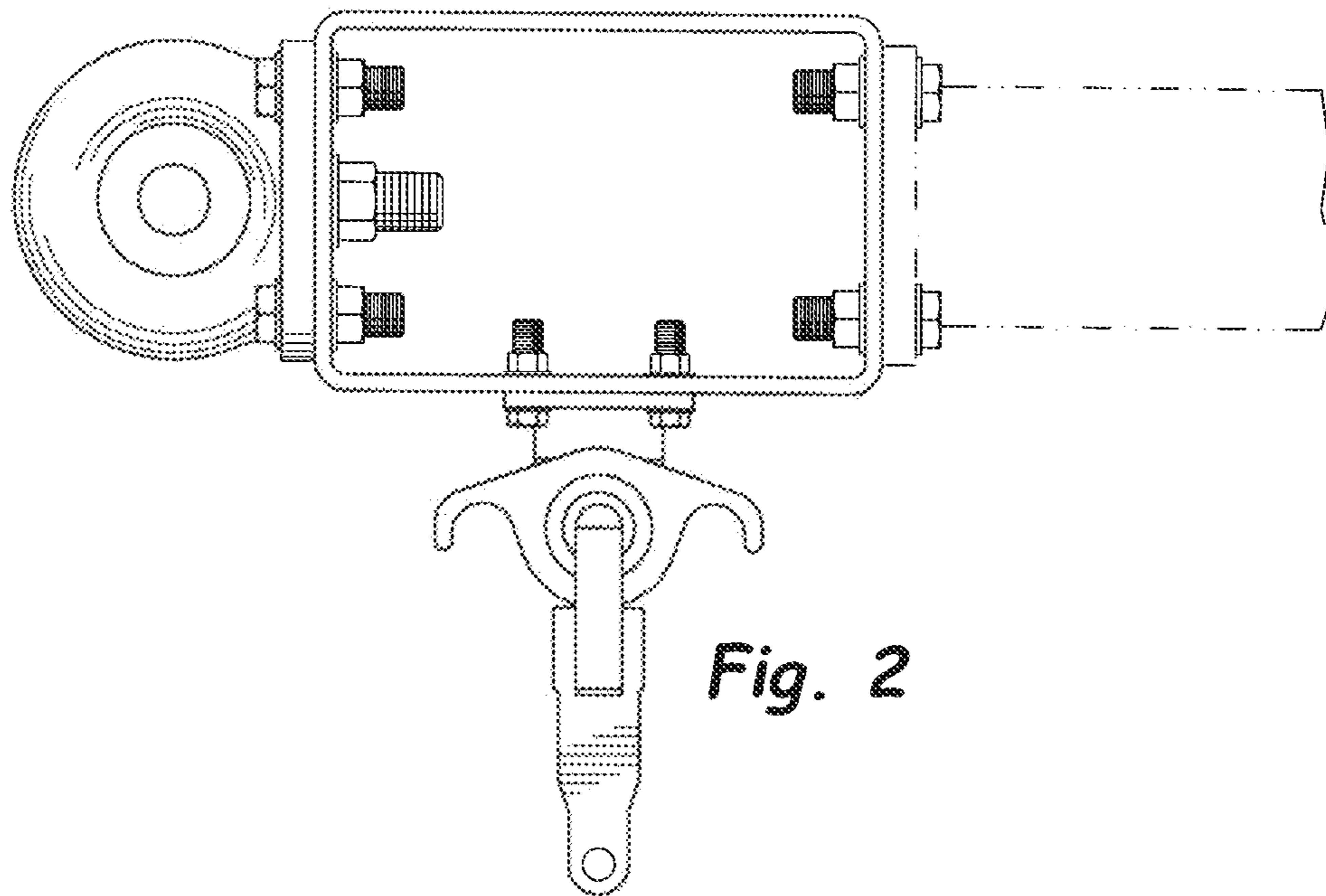


Fig. 2

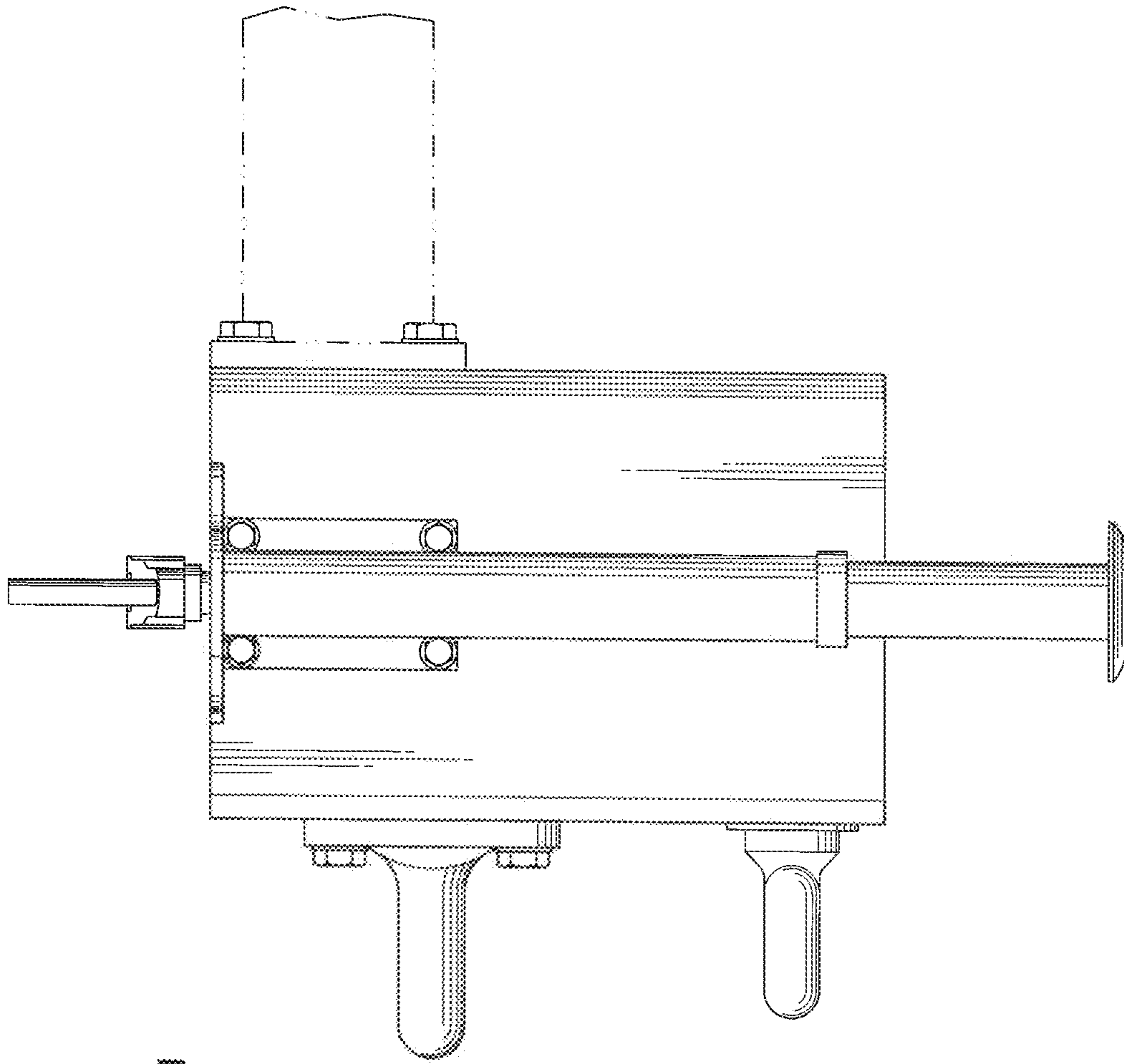


Fig. 4

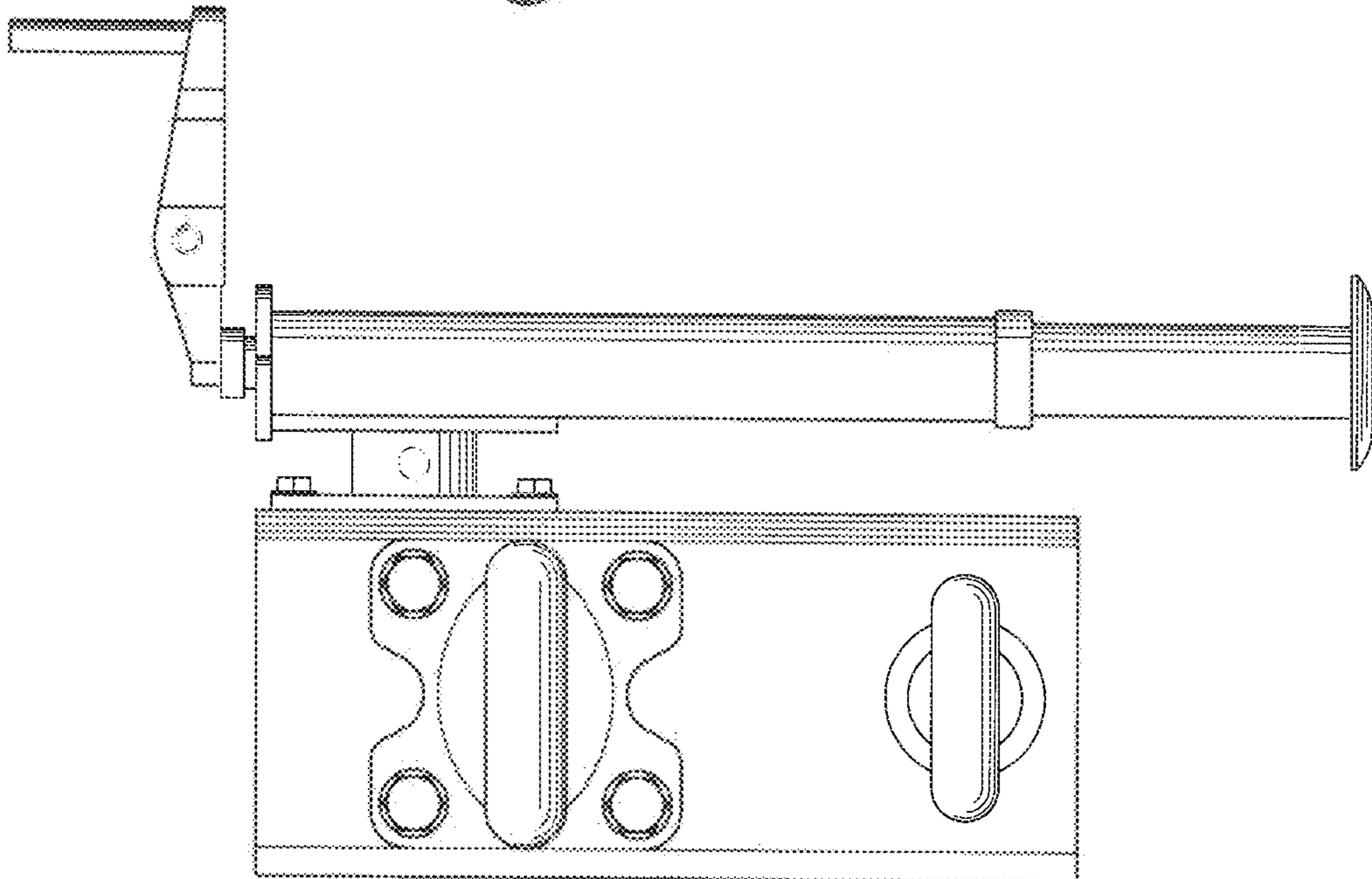


Fig. 3

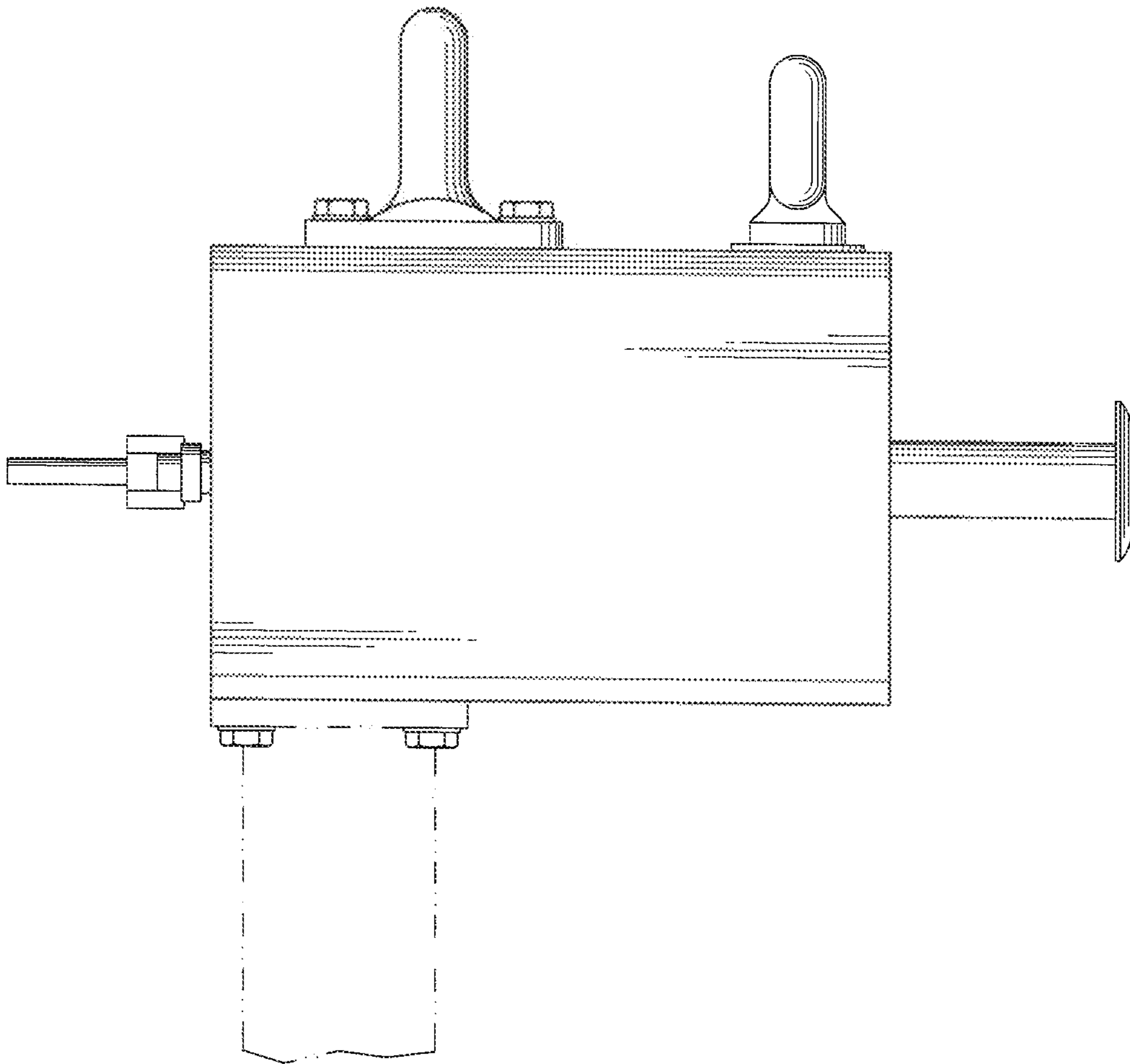


Fig. 5

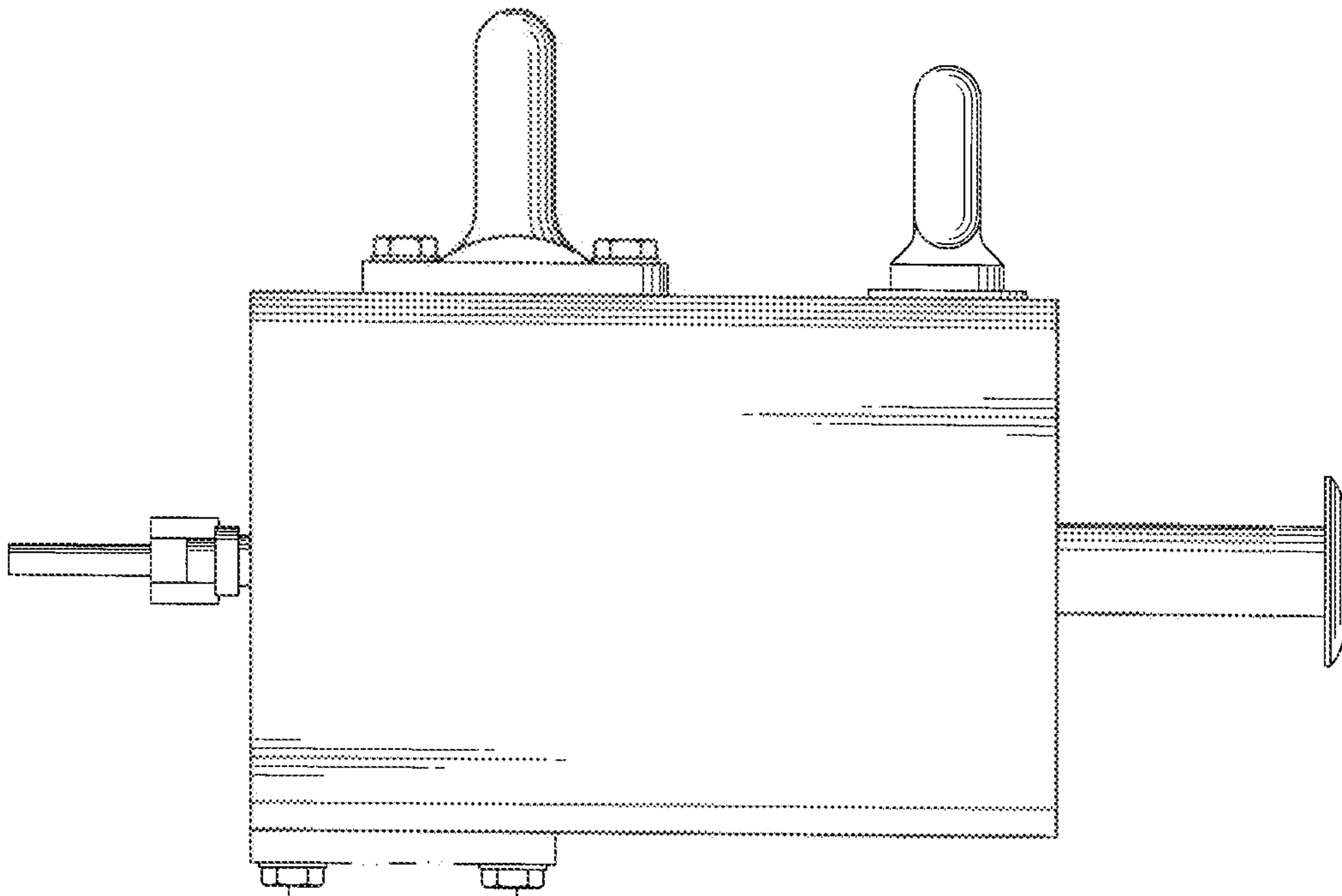


Fig. 6

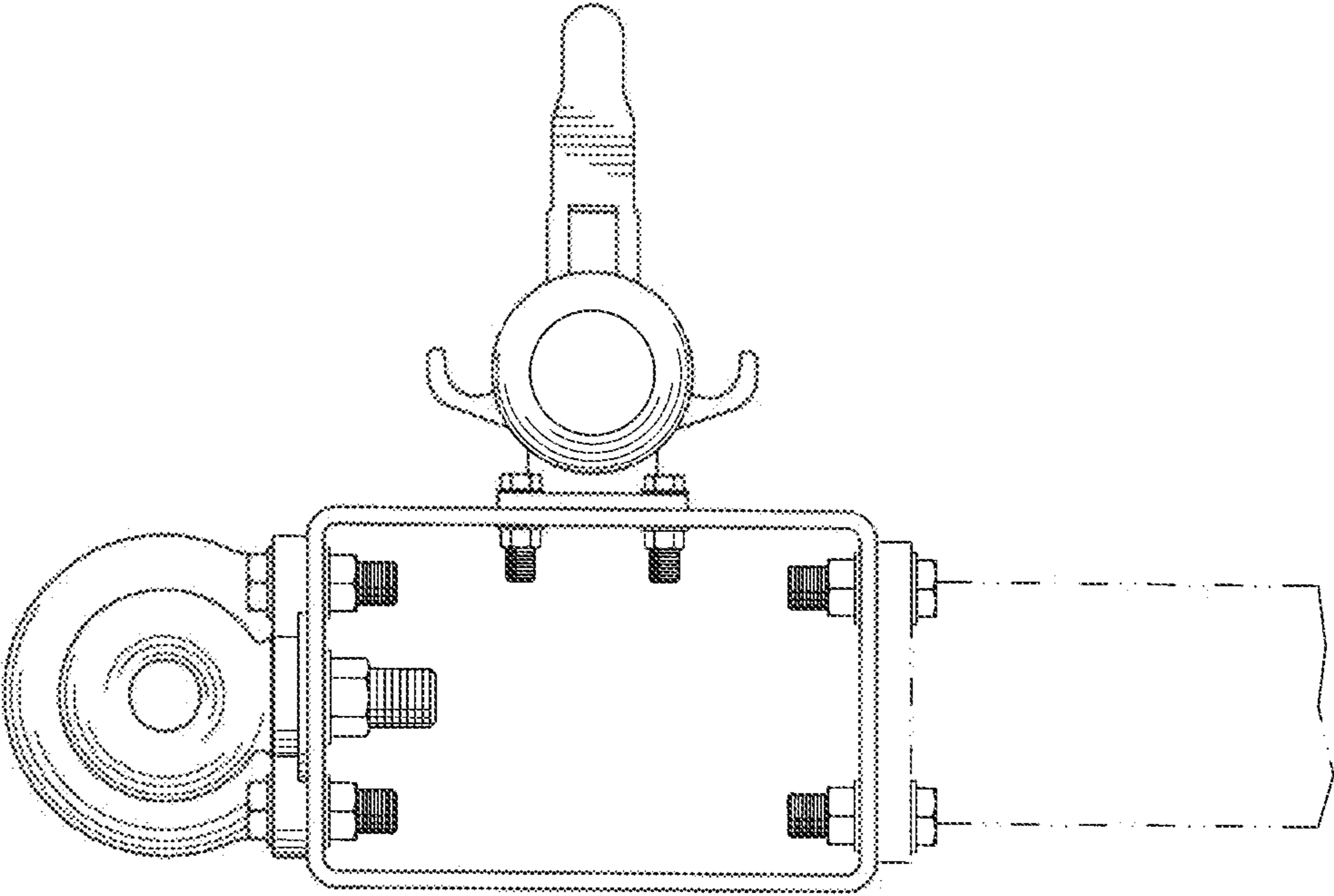


Fig. 7