



US00D932950S

(12) **United States Design Patent**  
**Lou**

(10) **Patent No.:** **US D932,950 S**

(45) **Date of Patent:** **\*\* Oct. 12, 2021**

(54) **BICYCLE PEDAL**

(71) Applicant: **Yinhua Lou**, Ningbo (CN)

(72) Inventor: **Yinhua Lou**, Ningbo (CN)

(\*\*) Term: **15 Years**

(21) Appl. No.: **29/700,103**

(22) Filed: **Jul. 31, 2019**

(51) **LOC (13) Cl.** ..... **12-11**

(52) **U.S. Cl.**  
USPC ..... **D12/125**

(58) **Field of Classification Search**  
USPC ..... D12/111, 125  
CPC . B62M 3/00; B62M 3/08; B60N 3/063; B62J  
25/00

See application file for complete search history.

(56) **References Cited**

**U.S. PATENT DOCUMENTS**

D284,459 S *	7/1986	Shimizu	74/594.4
D299,449 S *	1/1989	Chouan	74/594.4
D387,706 S *	12/1997	Hanamura	D12/125
D615,003 S *	5/2010	Canfield	D12/125
D667,348 S	9/2012	Canfield et al.	
D687,743 S *	8/2013	Lin	D12/125
8,714,052 B2 *	5/2014	Chamberlain	B62M 3/08 74/594.4
D739,313 S *	9/2015	Chen	D12/125
D779,387 S *	2/2017	Wilson	D12/125
10,683,056 B1 *	6/2020	Chen	F16C 19/548
10,710,674 B2 *	7/2020	Inoue	B62M 3/086
10,745,080 B1 *	8/2020	Chen	B62M 3/086
10,759,490 B1 *	9/2020	Chen	F16C 35/063
10,780,942 B1 *	9/2020	Chen	B62M 3/08

10,843,769 B2 *	11/2020	Hrsel	B62M 3/086
10,875,600 B1 *	12/2020	Lopez	B62M 3/08
2006/0266154 A1 *	11/2006	Hermansen	B62M 3/08 74/594.4
2009/0241725 A1 *	10/2009	Chen	B62M 3/08 74/594.4
2010/0064846 A1 *	3/2010	Tsai	B62M 3/08 74/594.4
2012/0090424 A1 *	4/2012	Curran	B62M 3/08 74/594.4
2015/0122078 A1 *	5/2015	Chen	B62M 3/08 74/594.4
2017/0101157 A1 *	4/2017	Hsieh	B62M 3/086

\* cited by examiner

*Primary Examiner* — Darlington Ly

(74) *Attorney, Agent, or Firm* — Jingfeng Song; SciNova IP and Regulatory Consulting LLC

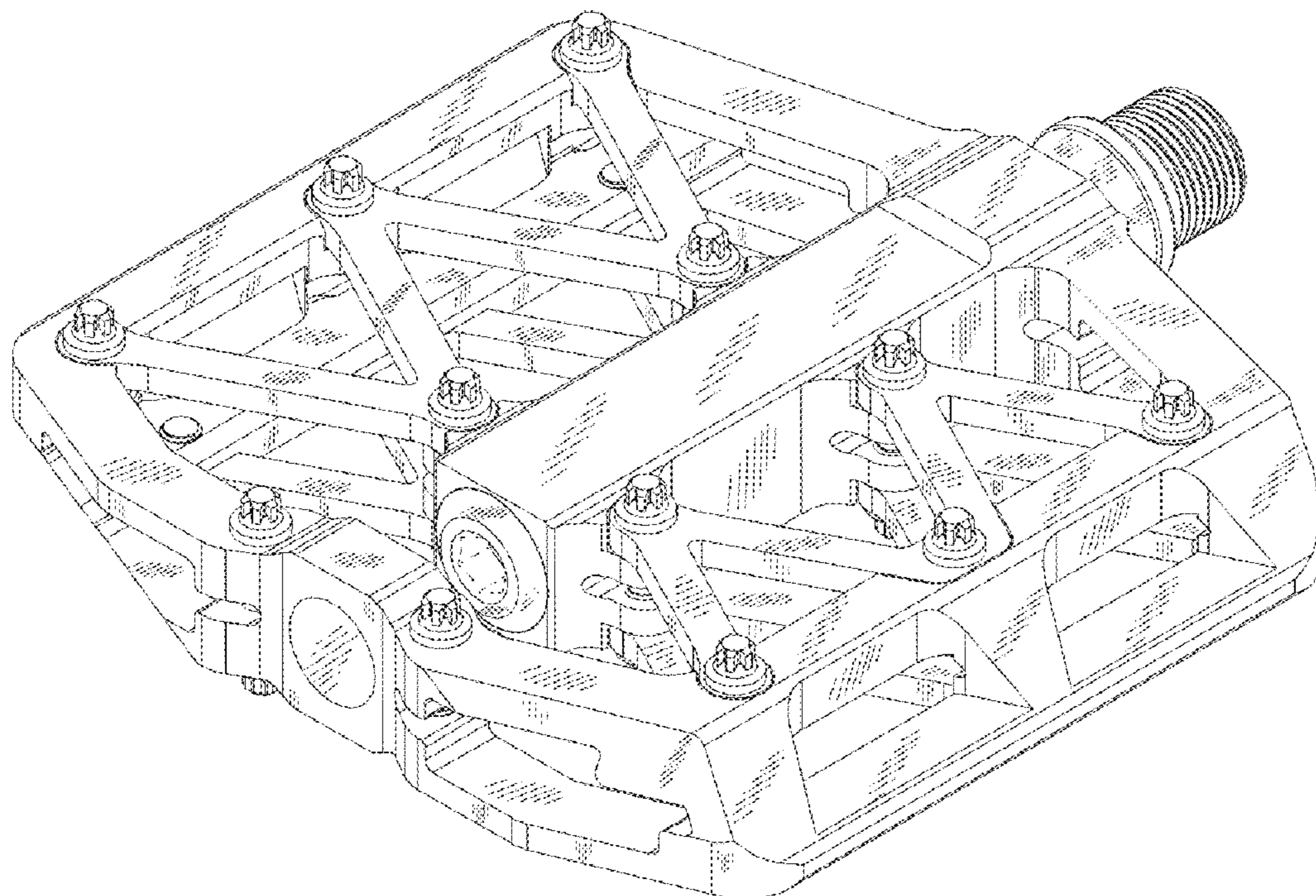
(57) **CLAIM**

The ornamental design for a bicycle pedal, as shown and described.

**DESCRIPTION**

FIG. 1 is a front elevational view of a bicycle pedal showing our new design;  
FIG. 2 is a rear elevational view thereof;  
FIG. 3 is a left side elevation view thereof;  
FIG. 4 is a right side elevation view thereof;  
FIG. 5 is a top plan view thereof;  
FIG. 6 is a bottom plan view thereof; and,  
FIG. 7 is a perspective view thereof.  
The broken lines in the drawings illustrate portions of the bicycle pedal that form no part of the claimed design.

**1 Claim, 5 Drawing Sheets**



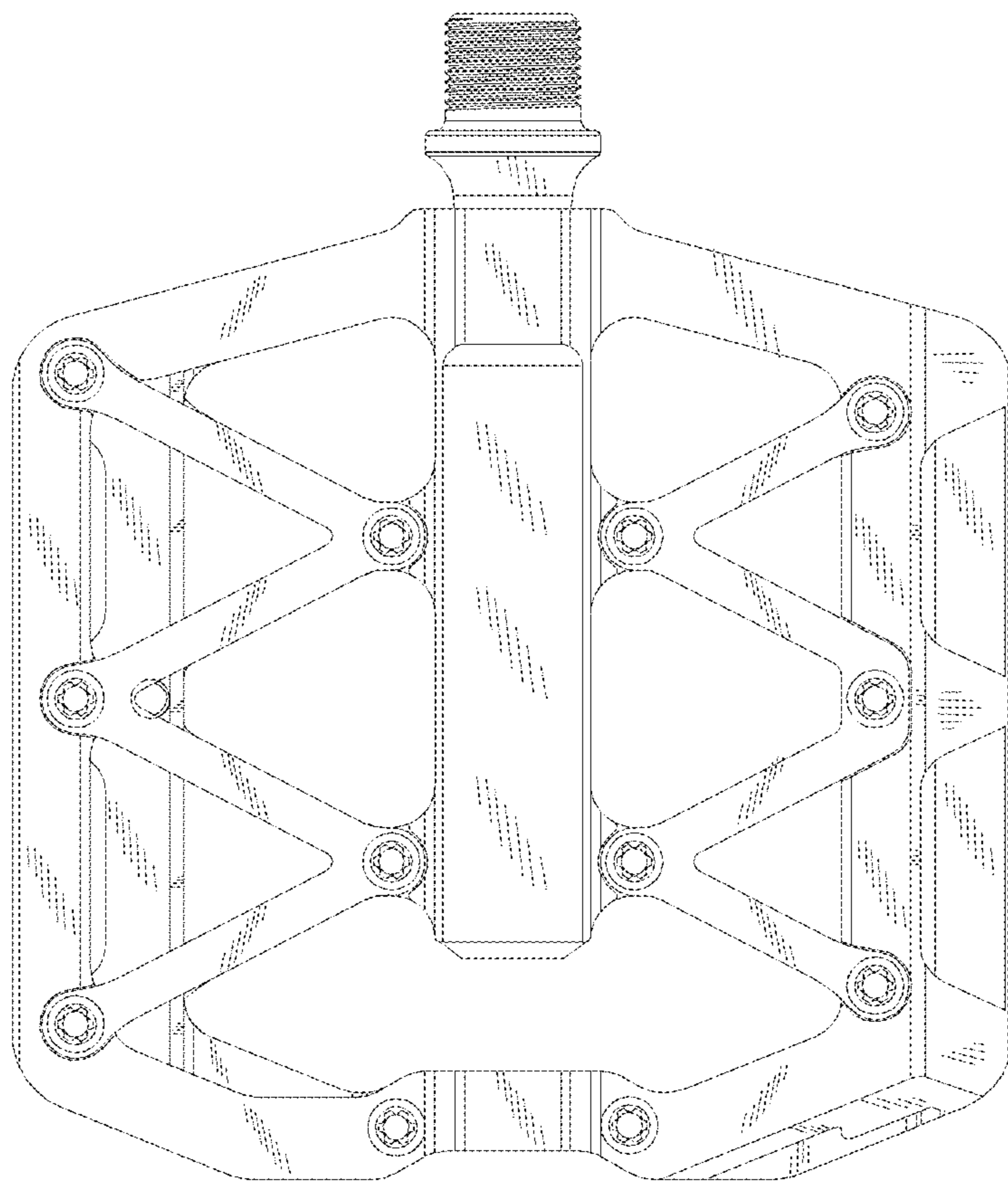


FIG.1

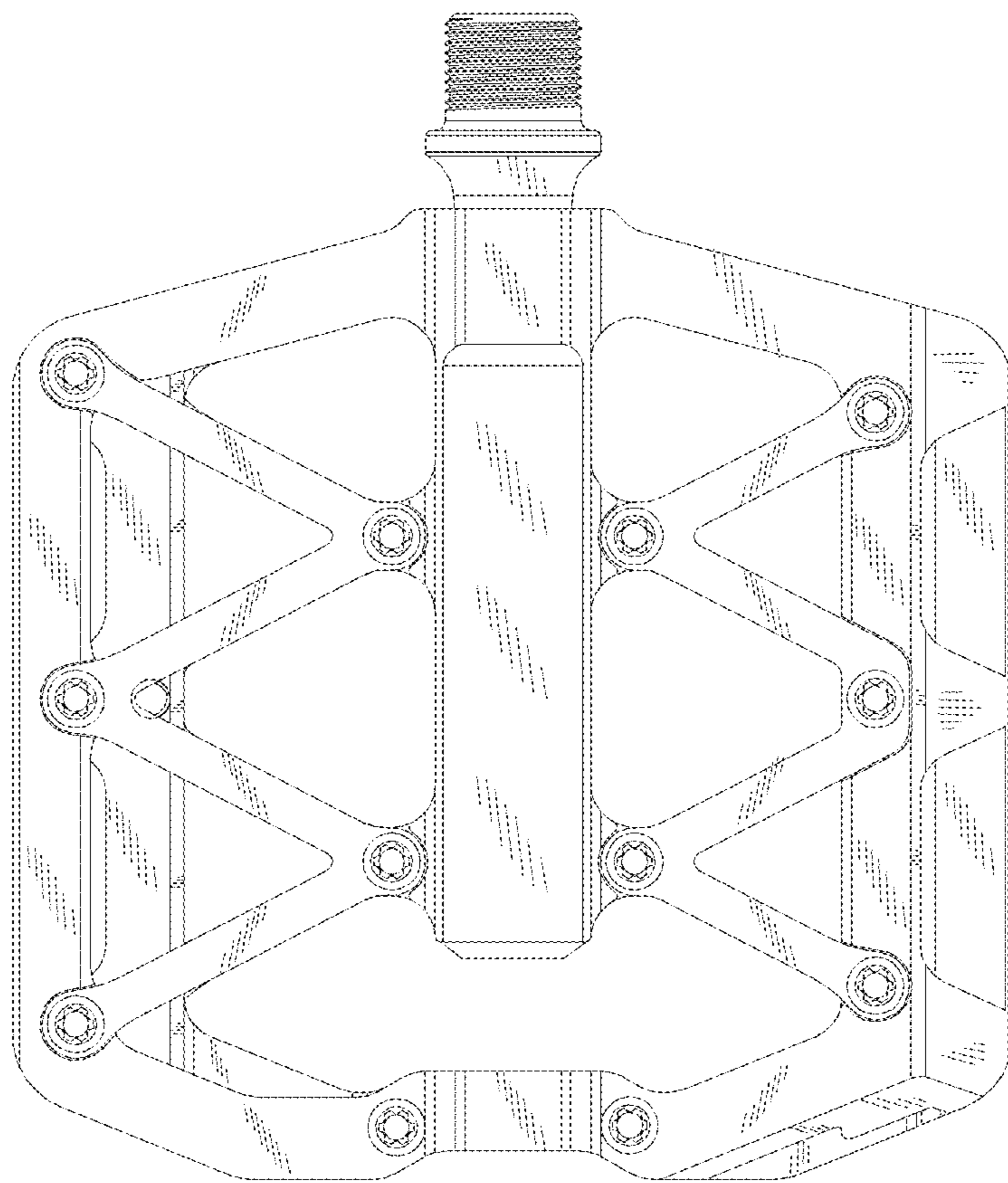


FIG.2

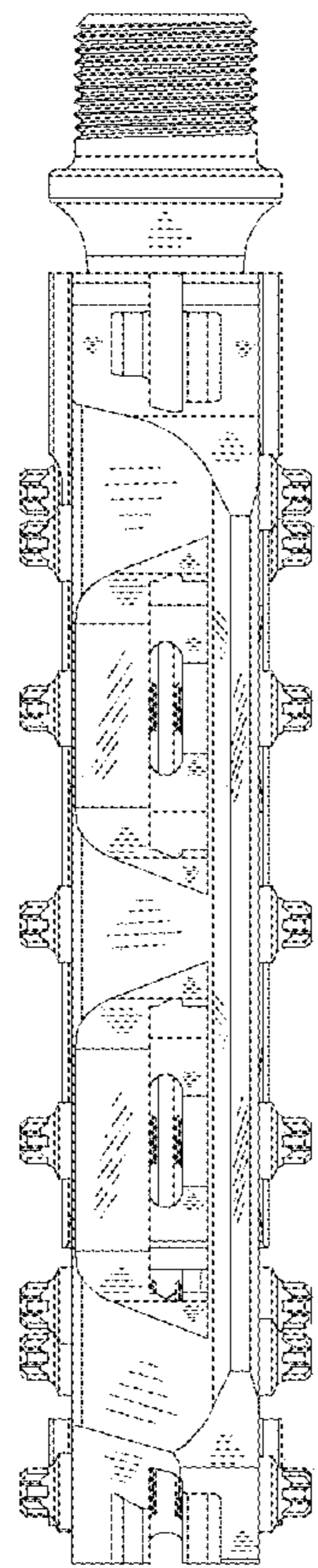


FIG.3

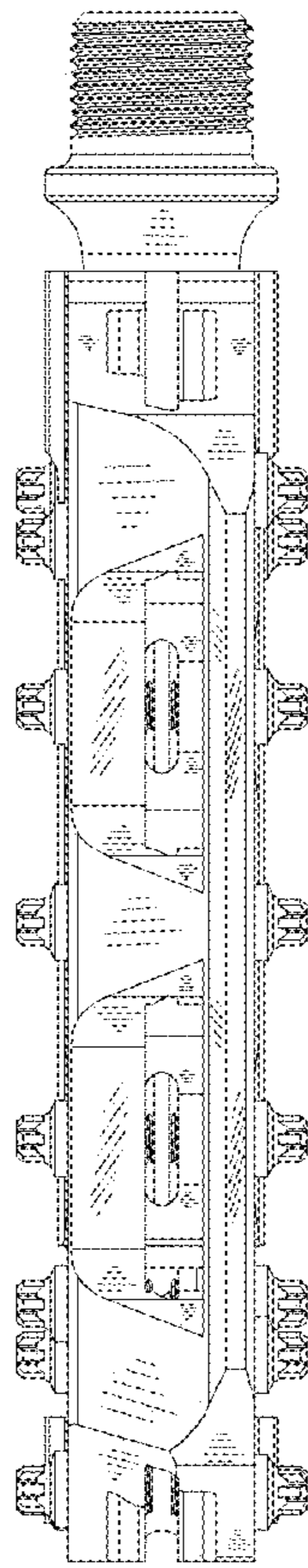


FIG.4

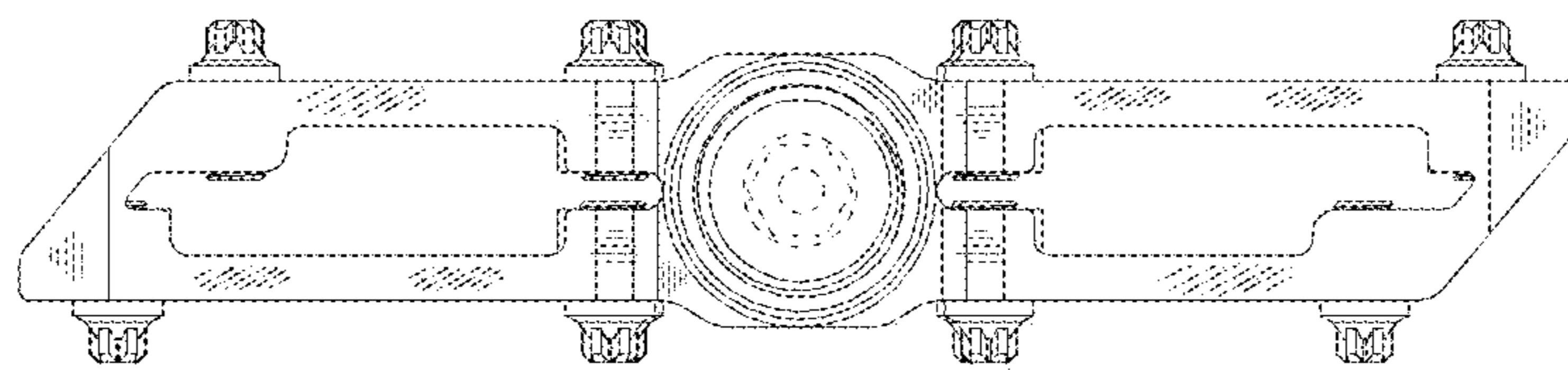


FIG.5

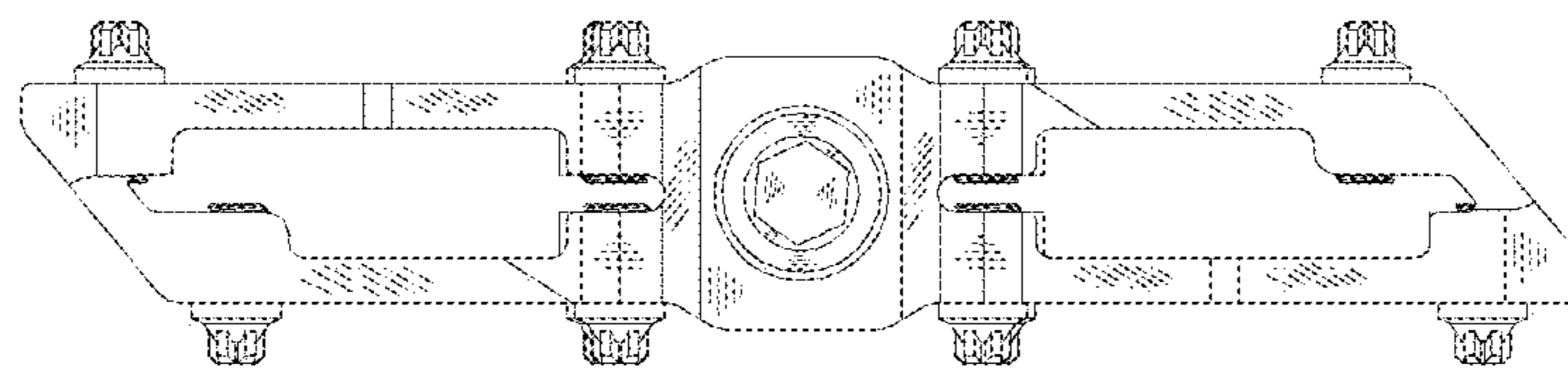


FIG.6

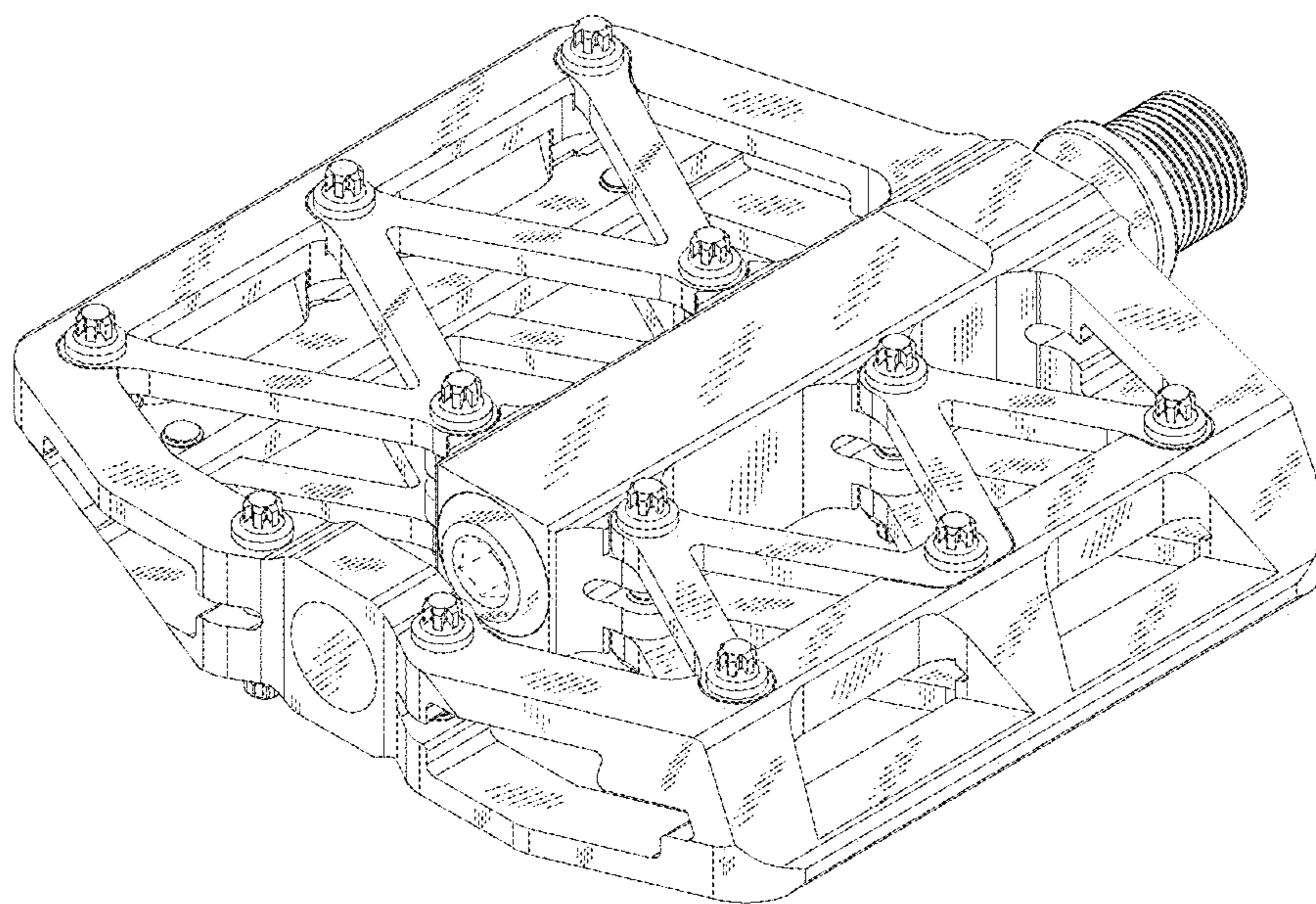


FIG. 7