



US00D932948S

(12) **United States Design Patent**
McGinley et al.

(10) **Patent No.:** **US D932,948 S**

(45) **Date of Patent:** **** Oct. 12, 2021**

(54) **MOTORCYCLE**

(71) Applicant: **Harley-Davidson Motor Company Group, LLC, Milwaukee, WI (US)**

(72) Inventors: **Ben McGinley, Glendale, WI (US); Steven Wade Osgood, Campbellsport, WI (US); Ronald Hurth, Beaver Dam, WI (US); Mark Hughes, Waukesha, WI (US); Kenneth G. Luckjohn, Sheboygan, WI (US); Glen Koval, Elm Grove, WI (US); Travis Muszynski, Menomonee Falls, WI (US); Rachel Wilde, Cedarburg, WI (US); Daniel Wittrock, Germantown, WI (US)**

(73) Assignee: **Harley-Davidson Motor Company Group, LLC, Milwaukee, WI (US)**

(**) Term: **15 Years**

(21) Appl. No.: **29/701,886**

(22) Filed: **Aug. 15, 2019**

(51) **LOC (13) Cl.** **12-11**

(52) **U.S. Cl.**
USPC **D12/110**

(58) **Field of Classification Search**
USPC D12/114, 110, 111, 117, 107, 126, 186;
D21/432, 538
CPC B62K 11/02; B62K 11/04; B62K 11/10;
B62K 11/00; B62K 17/00; B62K 19/00
See application file for complete search history.

(56) **References Cited**

U.S. PATENT DOCUMENTS

D599,253 S *	9/2009	Isokari	D12/110
D610,046 S *	2/2010	Miyake	D12/110
D611,882 S *	3/2010	Sugimoto	D12/110
D624,853 S *	10/2010	Song	D12/110
D656,068 S *	3/2012	Song	D12/110
D656,069 S *	3/2012	Itaya	D12/110

D665,310 S *	8/2012	Hohdorf	D12/110
D690,623 S *	10/2013	Tsukui	D12/110
D723,429 S *	3/2015	Hohdorf	D12/110
D733,007 S *	6/2015	Futamata	D12/110
D733,008 S *	6/2015	Katagiri	D12/110
D735,086 S *	7/2015	Talios	D12/110
D735,616 S *	8/2015	Tako	D12/110
D735,617 S *	8/2015	Katagiri	D12/110
D737,179 S *	8/2015	Futamata	D12/110

(Continued)

OTHER PUBLICATIONS

Rider Magazine Staff; Harley-Davidson Announces Podcast Series on LiveWire Electric Motorcycles Featured in "Long Way Up"; Sep. 24, 2020; <https://ridermagazine.com/2020/09/24/harley-davidson-announces-podcast-series-on-livewire-electric-motorcycles-featured-in-long-way-up/> 4Pgs. (Year: 2020).*

(Continued)

Primary Examiner — Michelle E. Wilson

Assistant Examiner — Clese Moore, Jr.

(74) *Attorney, Agent, or Firm* — Michael Best & Friedrich LLP

(57) **CLAIM**

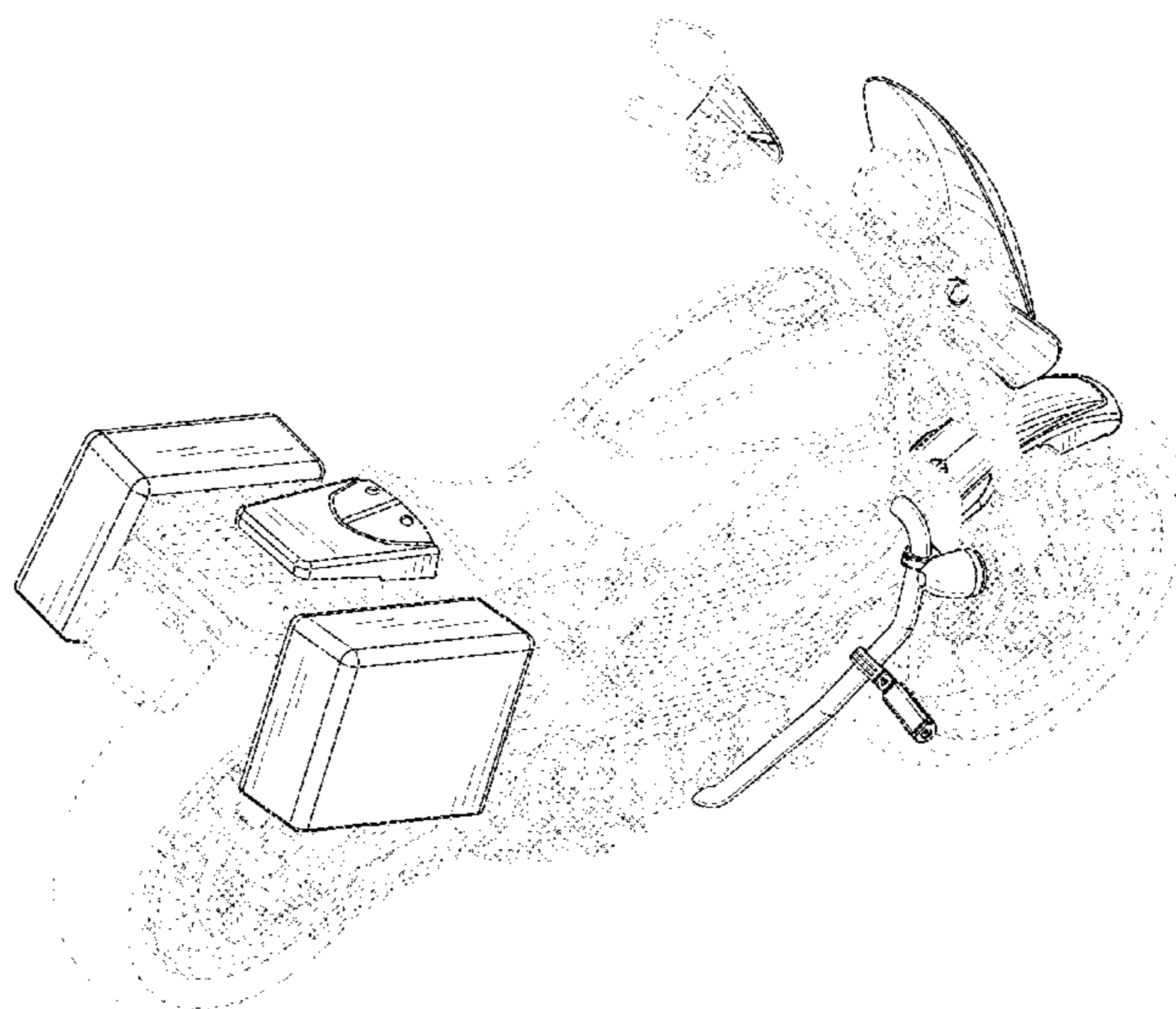
We claim the ornamental design for a motorcycle, as shown and described.

DESCRIPTION

FIG. 1 is a first perspective view of a motorcycle;
FIG. 2 is a second perspective view thereof;
FIG. 3 is a front view thereof;
FIG. 4 is a rear view thereof;
FIG. 5 is a right side view thereof;
FIG. 6 is a left side view thereof;
FIG. 7 is a top view thereof; and,
FIG. 8 is a bottom view thereof.

The broken lines are included for the purpose of showing environment and form no part of the claimed design.

1 Claim, 8 Drawing Sheets



(56)

References Cited

U.S. PATENT DOCUMENTS

D753,024 S	*	4/2016	Futamata	D12/110
D774,962 S	*	12/2016	Wakita	D12/110
D774,963 S	*	12/2016	Takigawa	D12/110
D776,013 S	*	1/2017	Kiska	D12/110
D776,575 S	*	1/2017	Kiska	D12/110
D797,608 S	*	9/2017	Tachibana	D12/110
D802,486 S	*	11/2017	Mugikura	D12/110
D809,431 S	*	2/2018	Janyapanich	D12/110
D820,167 S	*	6/2018	Aiello	D12/110
D825,394 S	*	8/2018	Tako	D12/110
D840,278 S	*	2/2019	Tako	D12/110

OTHER PUBLICATIONS

2018 Yamaha Super Tenere, on sale prior to Aug. 15, 2019, example Image take from: https://pictures.topspeed.com/IMG/crop/201804/2018-super-tenere-10_1600x0w.jpg.

KTM 1290 Super Adventure S, on sale prior to Aug. 15, 2019, example Image take from: <https://2yrh403fk8vd1hz9ro2n46dd-wpengine.netdna-ssl.com/wp-content/uploads/2018/06/2018-KTM-1290-Super-Adventure-S-Review-ADV-sport-touring-motorcycle-11.jpg>.

2018 BMW R1200GS Edition Black , on sale prior to Aug. 15, 2019, example Image take from: <https://2yrh403fk8vd1hz9ro2n46dd-wpengine.netdna-ssl.com/wp-content/uploads/2018/05/2018-bmw-r-1200-gs-adventure-black-edition-parts-2.jpg>.

* cited by examiner

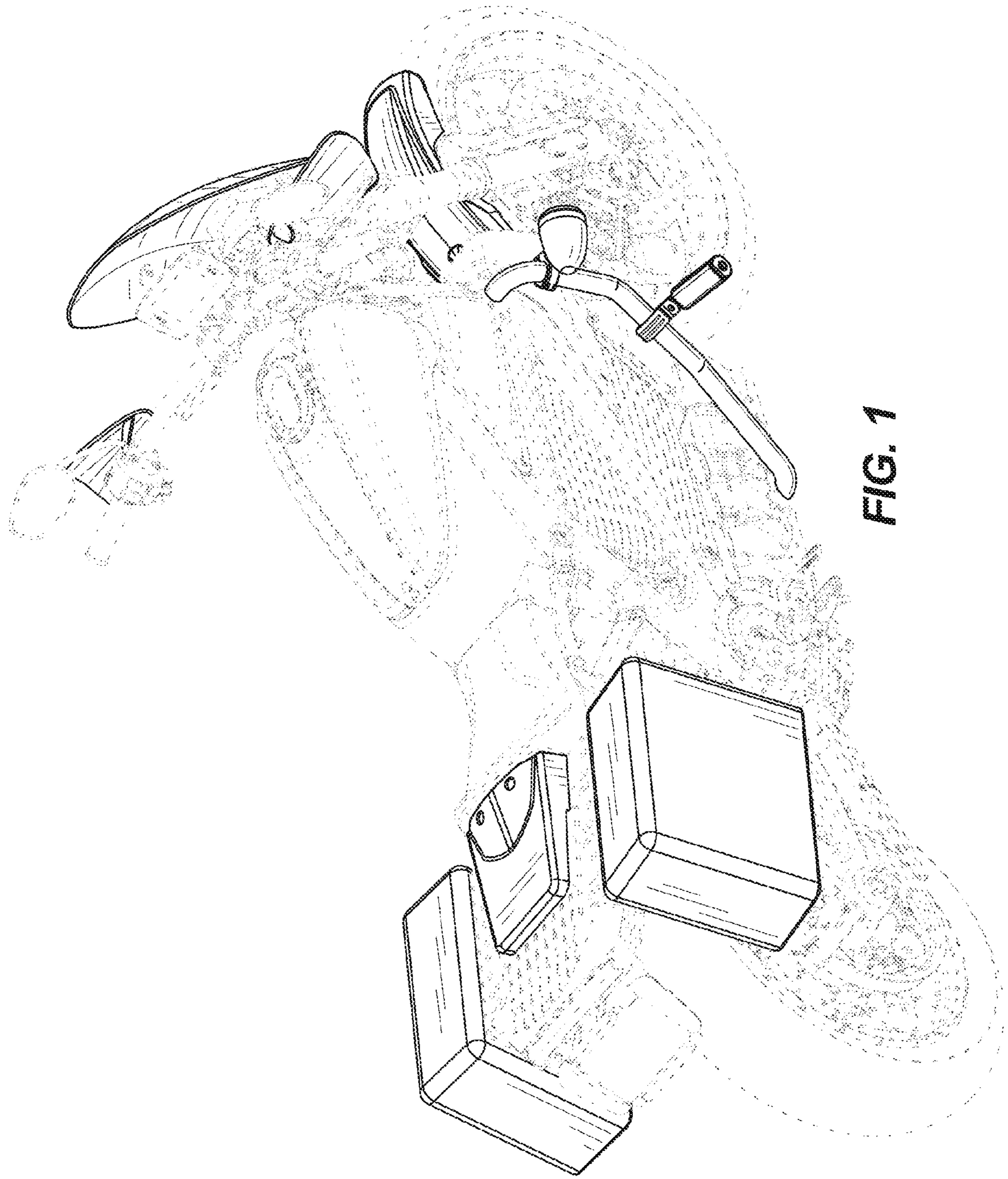


FIG. 1

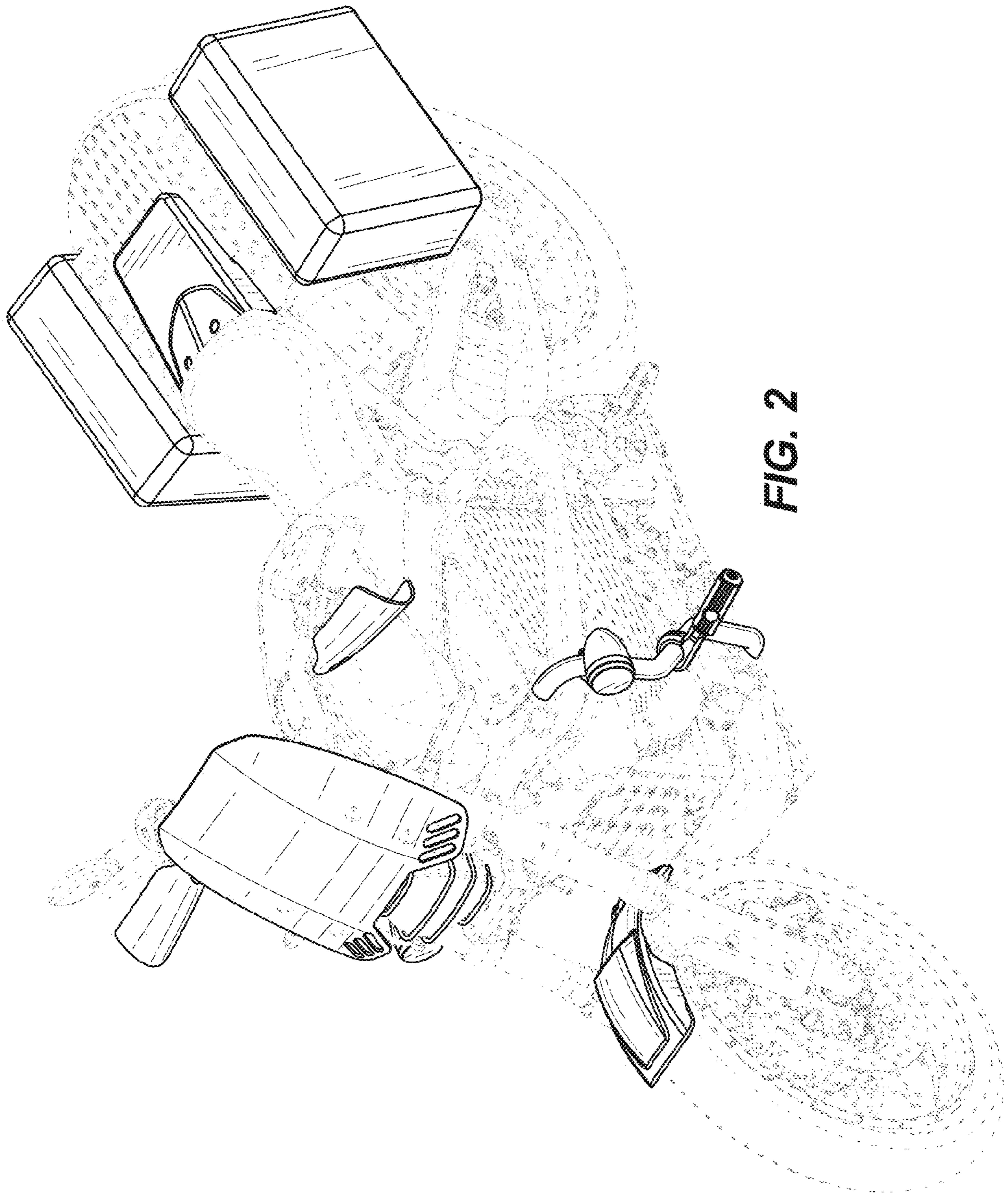


FIG. 2

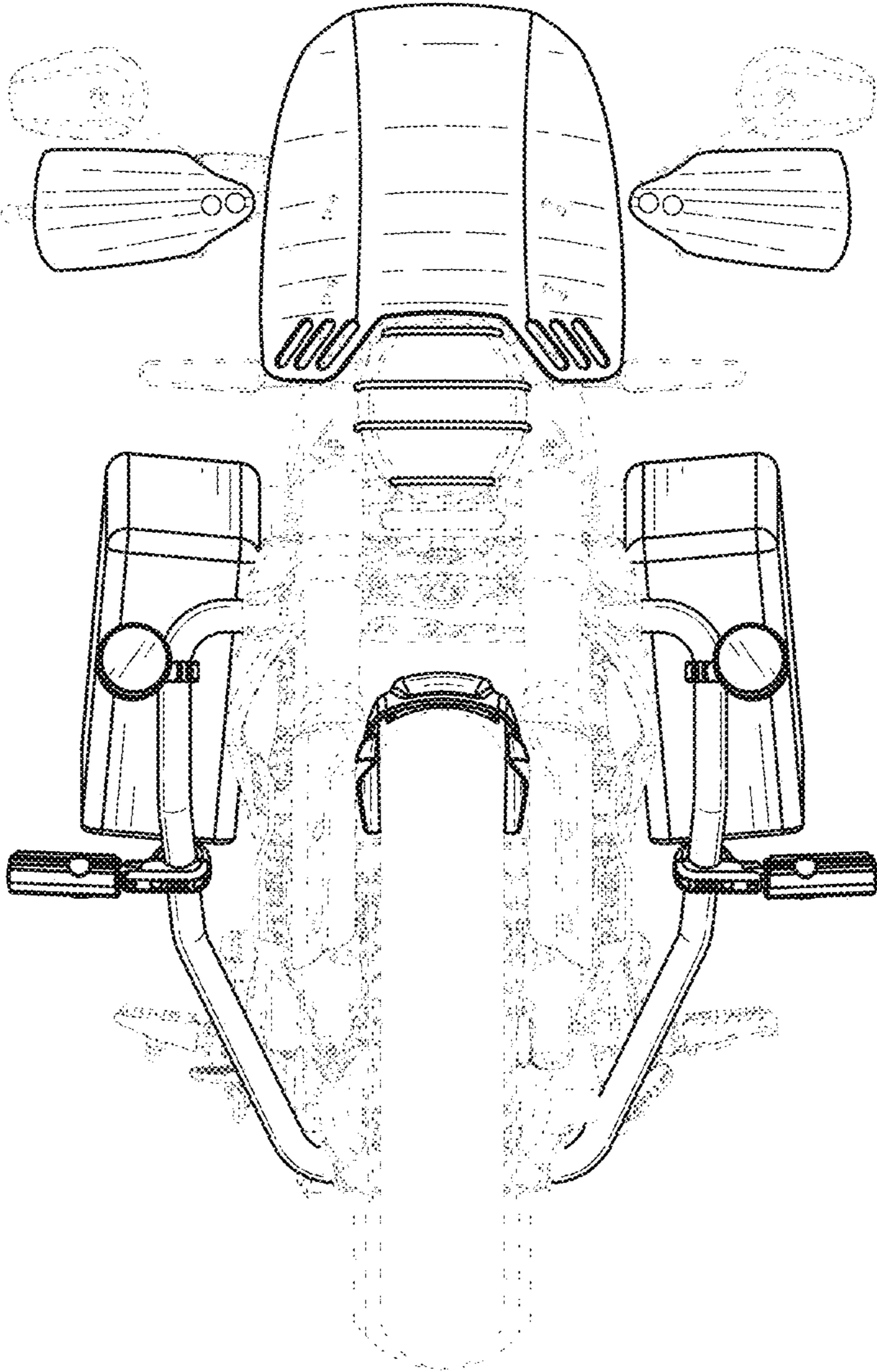


FIG. 3

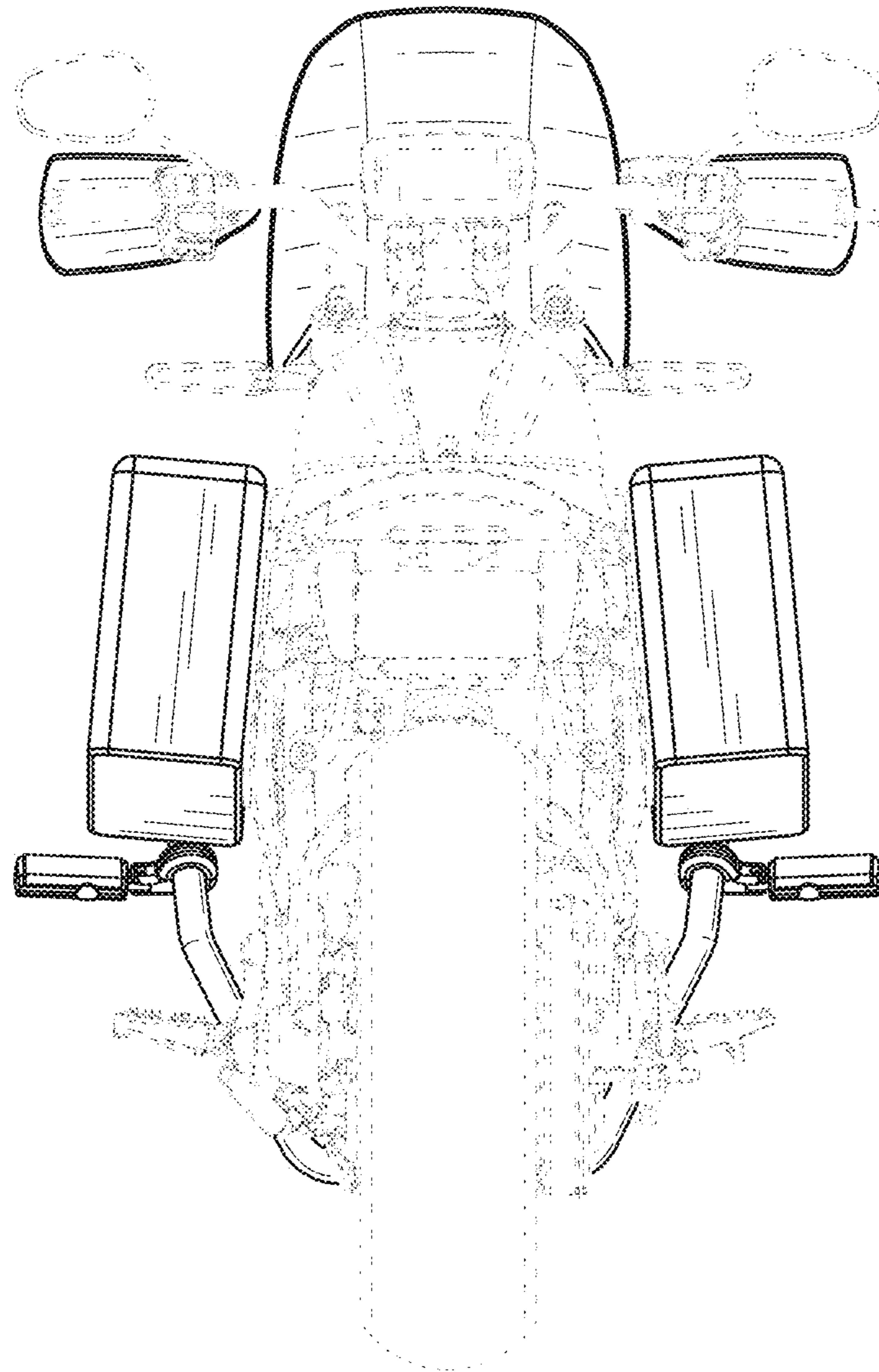


FIG. 4

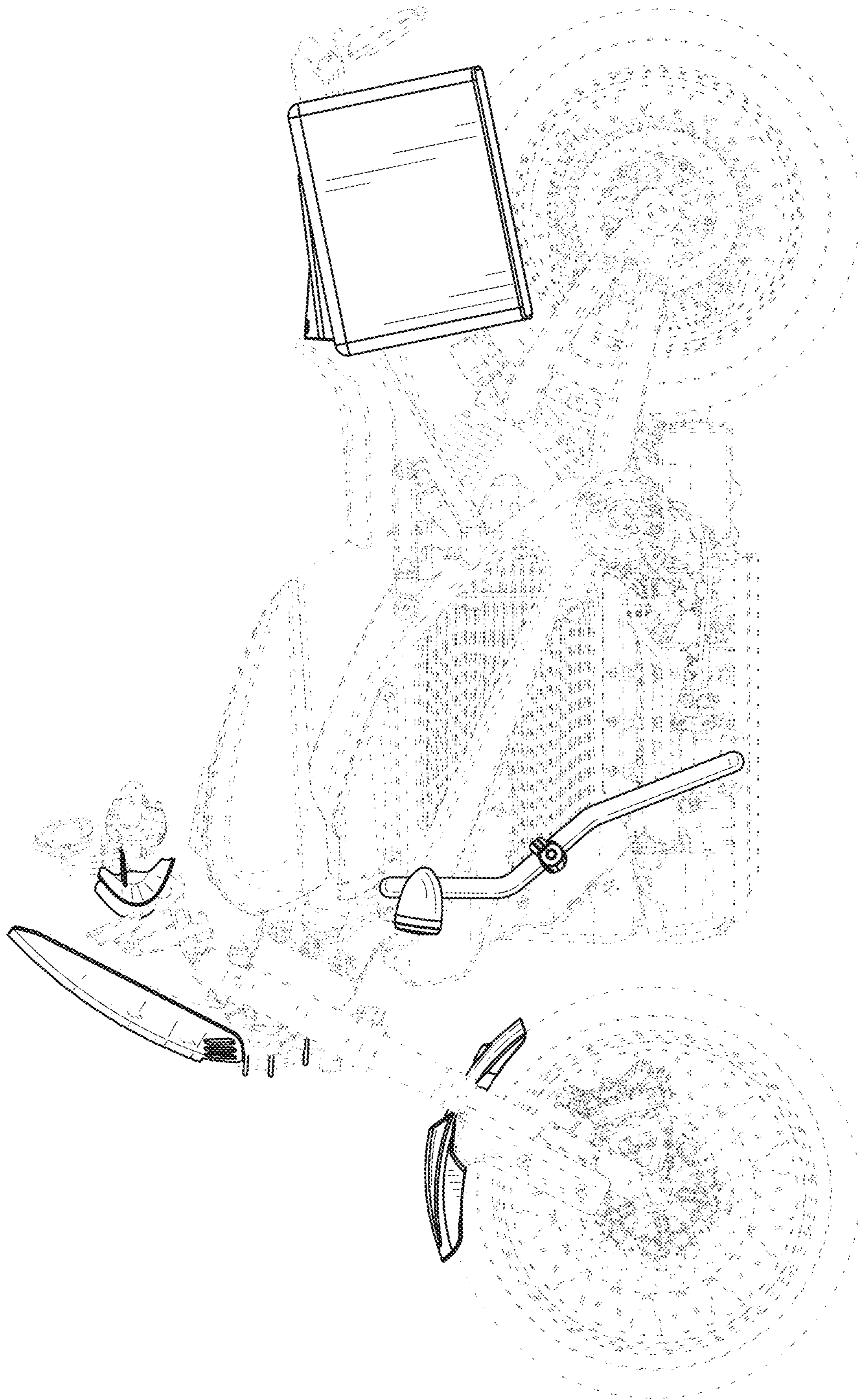


FIG. 6

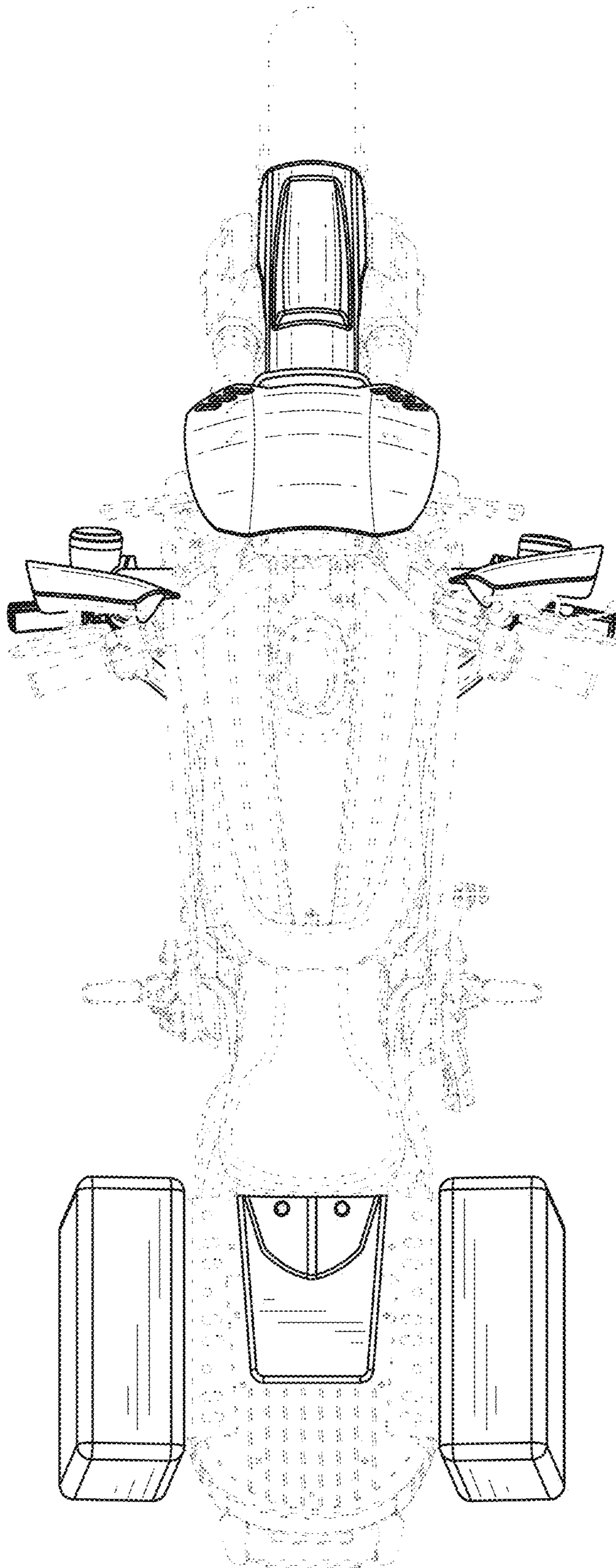


FIG. 7

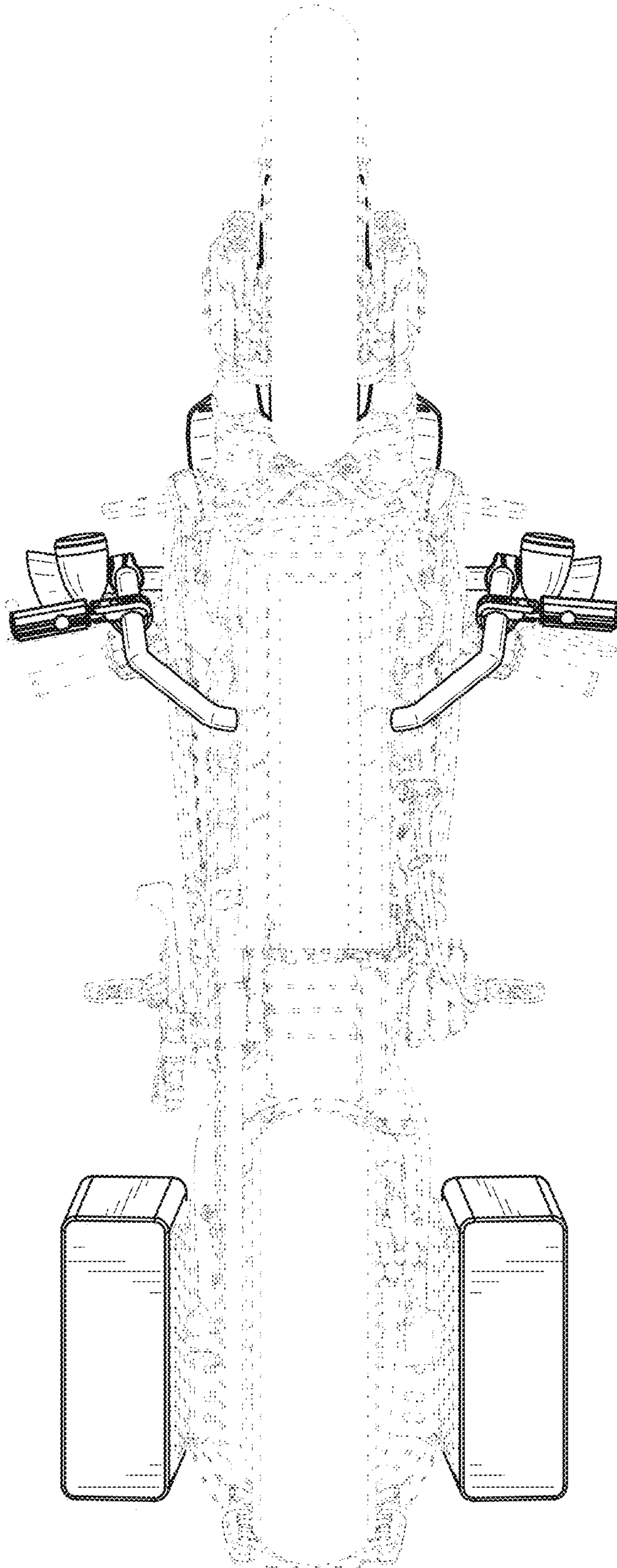


FIG. 8