



US00D932945S

(12) **United States Design Patent**
Ohnuma

(10) **Patent No.:** **US D932,945 S**

(45) **Date of Patent:** **** Oct. 12, 2021**

(54) **AUTOMOBILE BODY**

(71) Applicant: **HONDA MOTOR CO., LTD.**, Tokyo
(JP)

(72) Inventor: **Norihito Ohnuma**, Wako (JP)

(73) Assignee: **HONDA MOTOR CO., LTD.**, Tokyo
(JP)

(**) Term: **15 Years**

(21) Appl. No.: **29/710,554**

(22) Filed: **Oct. 24, 2019**

(30) **Foreign Application Priority Data**

Apr. 26, 2019 (JP) 2019-009504

(51) **LOC (13) Cl.** **12-08**

(52) **U.S. Cl.**
USPC **D12/92**

(58) **Field of Classification Search**
USPC D12/86, 90-92, 88, 164; D21/424, 433,
D21/434; 296/181.1-181.5, 183.1
CPC B62D 25/00; B62D 25/06; B62D 33/00;
B62D 35/00
See application file for complete search history.

(56) **References Cited**

U.S. PATENT DOCUMENTS

D628,939 S * 12/2010 Komuro D12/92
D628,942 S * 12/2010 Kim D12/92
D722,283 S * 2/2015 Hanaoka D12/92
D722,920 S * 2/2015 Minami D12/92

D737,177 S * 8/2015 Watanabe D12/92
D742,281 S * 11/2015 Ishii D12/91
D742,282 S * 11/2015 Asai D12/92
D744,377 S * 12/2015 Minami D12/91
D762,526 S * 8/2016 Minami D12/92
D763,136 S * 8/2016 Minami D12/92
D766,133 S * 9/2016 Ohhashi D12/91
D774,951 S * 12/2016 Kazama D12/92
D780,065 S * 2/2017 Suzuki D12/91
D781,180 S * 3/2017 Minami D12/91
D784,857 S * 4/2017 Ishii D12/91
D795,744 S * 8/2017 Sahara D12/91
D823,165 S * 7/2018 Chung D12/91

* cited by examiner

Primary Examiner — Melody N Brown

(74) *Attorney, Agent, or Firm* — Westerman, Hattori,
Daniels & Adrian, LLP

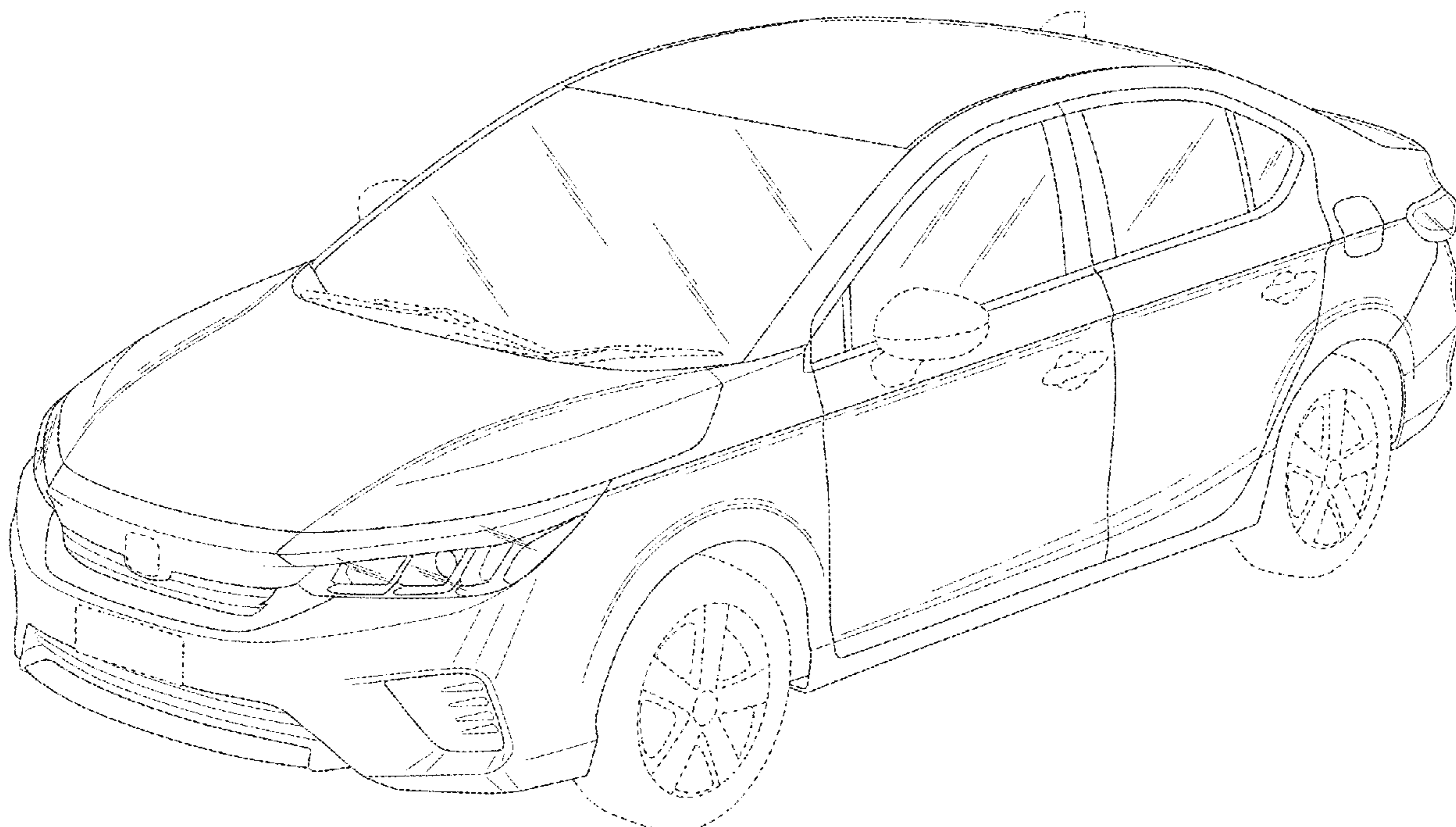
(57) **CLAIM**

The ornamental design for an automobile body, as shown
and described.

DESCRIPTION

FIG. 1 is a right side elevational view of an automobile body
showing my new design;
FIG. 2 is a left side elevational view thereof;
FIG. 3 is a rear elevational view thereof;
FIG. 4 is a rear elevational view thereof;
FIG. 5 is a top plan view thereof;
FIG. 6 is a front and right side perspective view thereof; and,
FIG. 7 is a rear and right side perspective view thereof.
The portions of the automobile body shown in broken lines
throughout the drawing views are for environmental and
illustrative purposes and form no part of the claimed design.

1 Claim, 7 Drawing Sheets



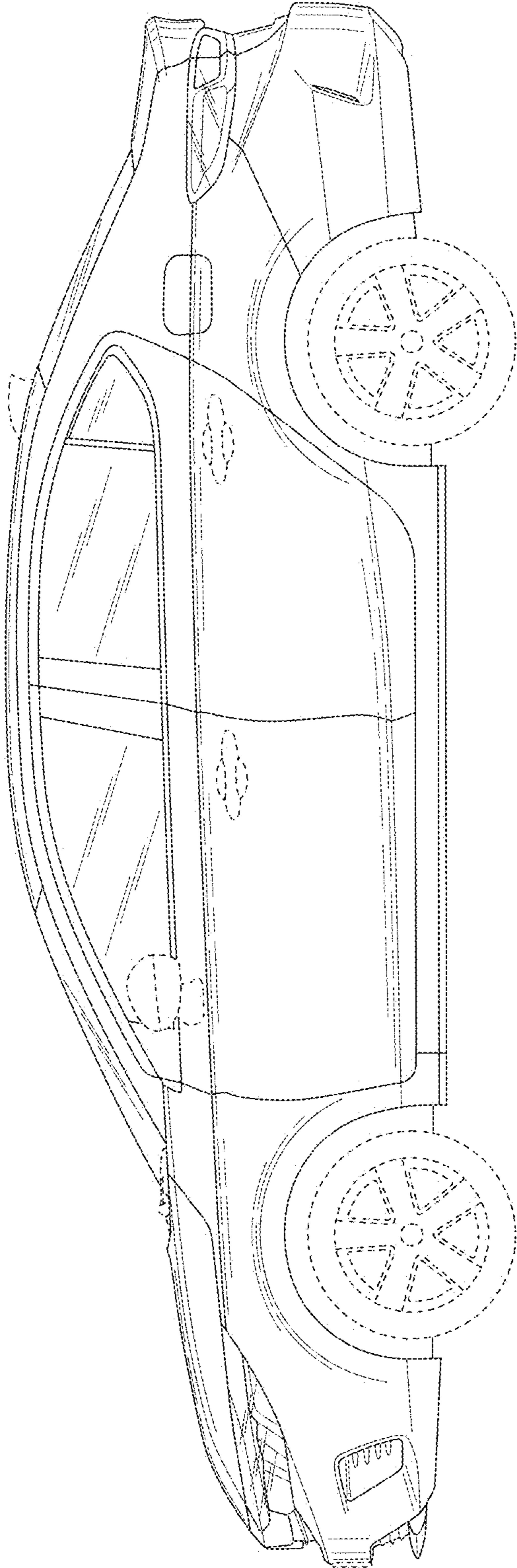


FIG.1

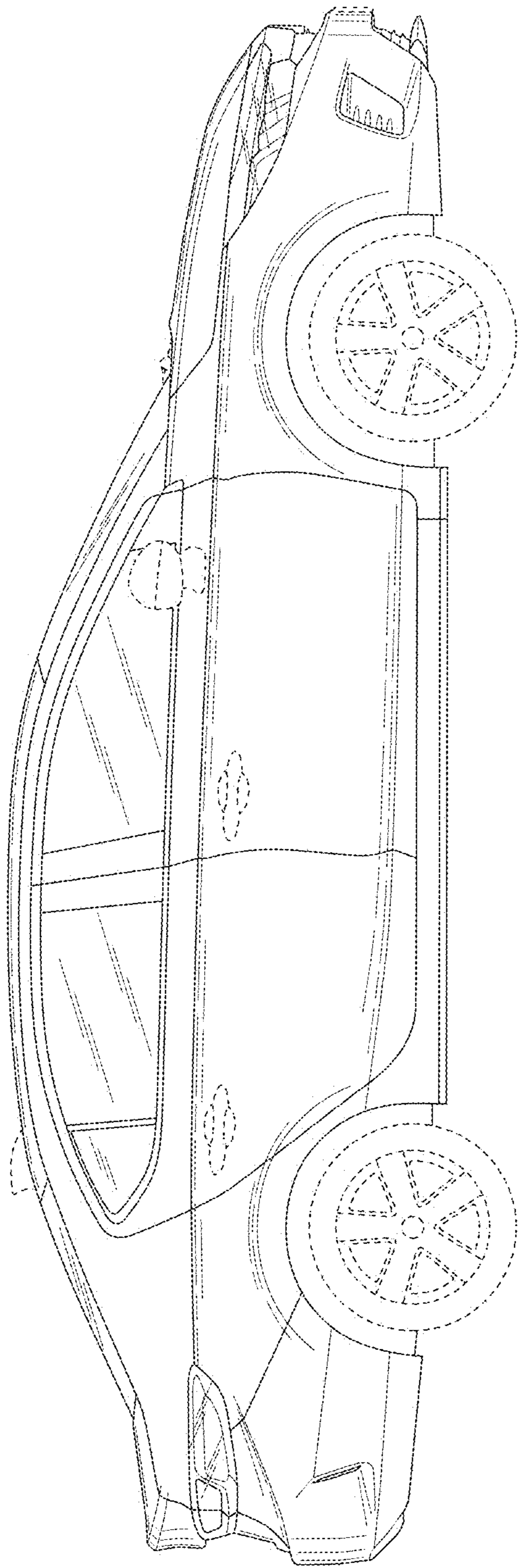


FIG.2

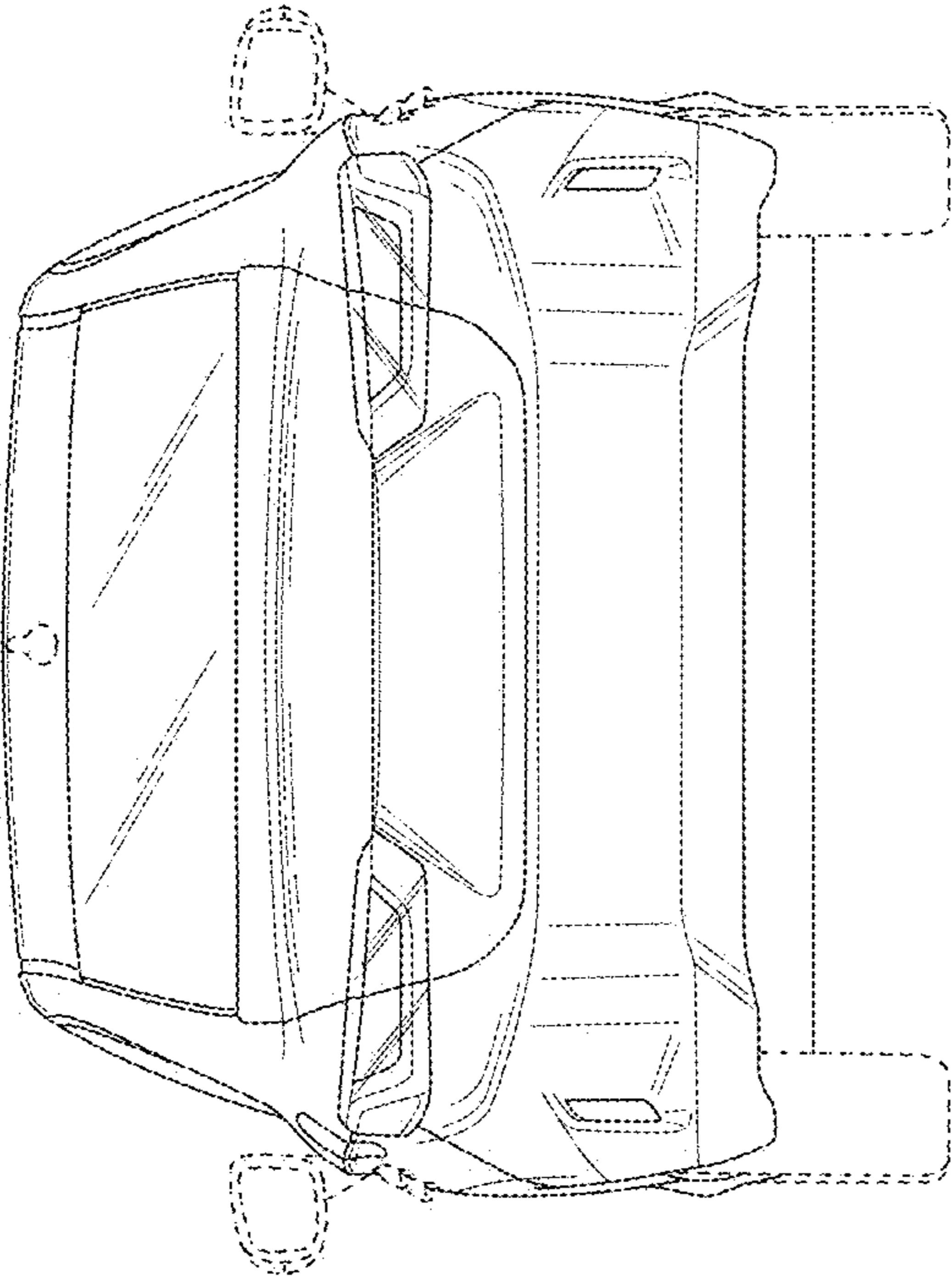


FIG.3

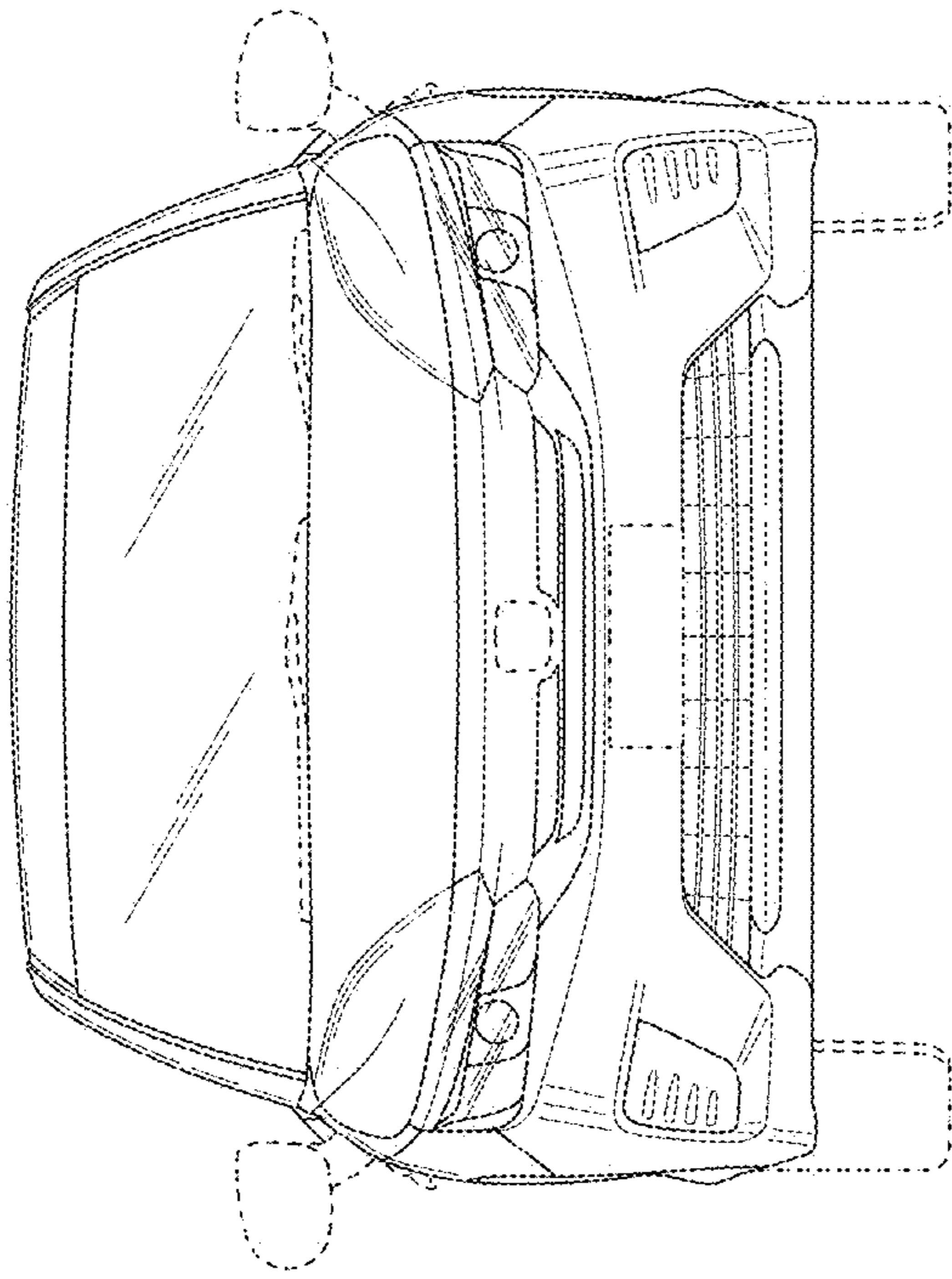


FIG.4

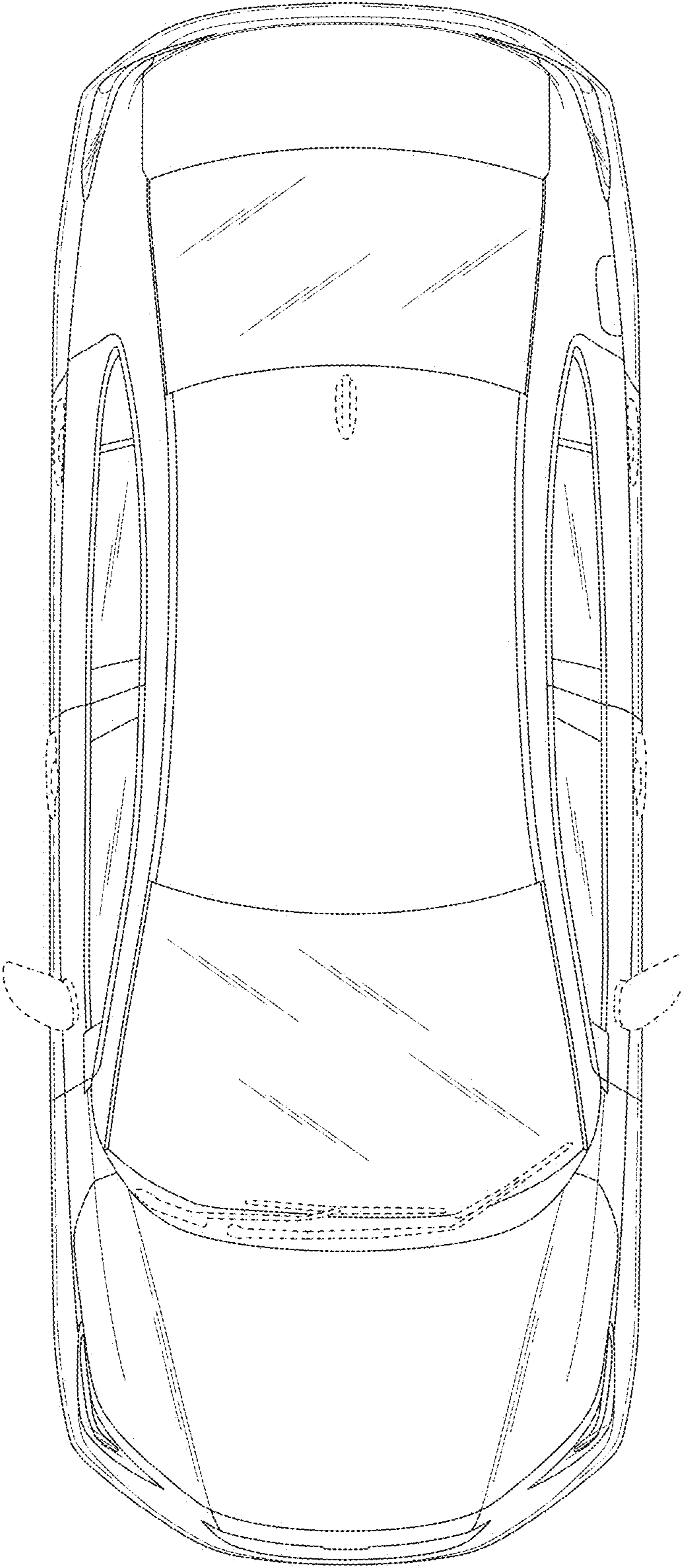


FIG.5

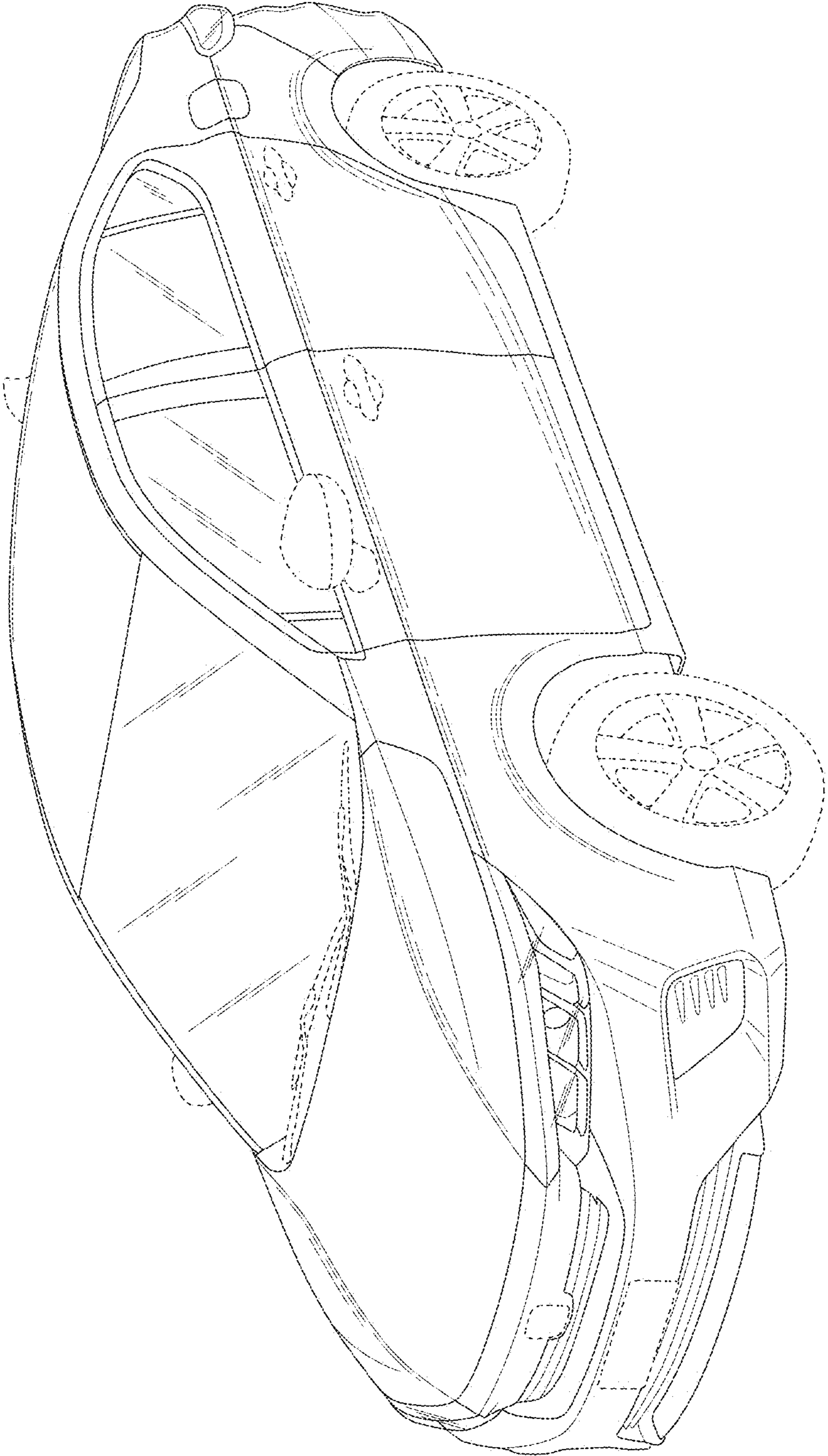


FIG.6

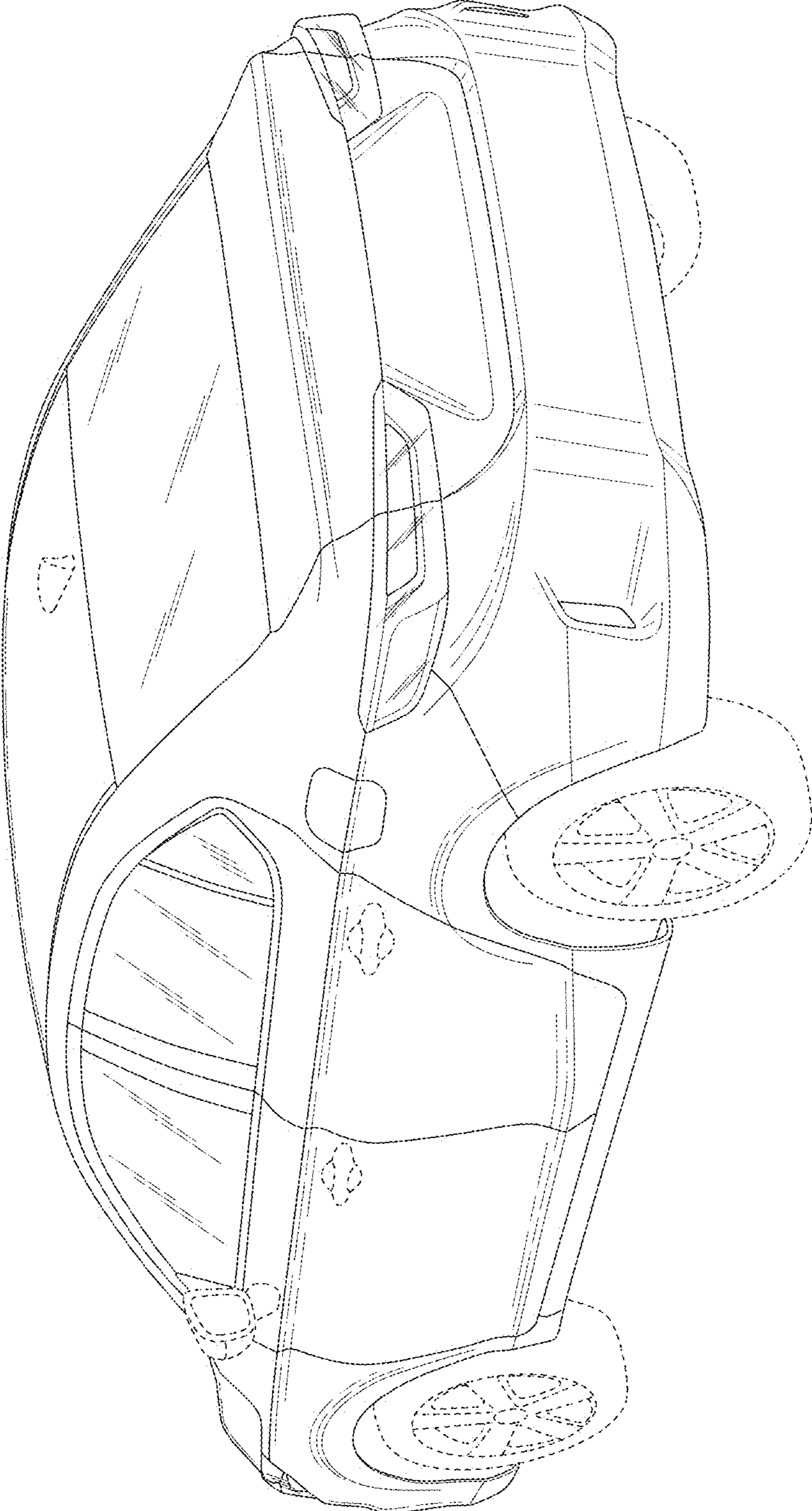


FIG.7