



US00D932943S

(12) **United States Design Patent**  
**Bouzige**

(10) **Patent No.:** **US D932,943 S**

(45) **Date of Patent:** **\*\* Oct. 12, 2021**

(54) **MOTOR VEHICLE AND/OR TOY REPLICA  
THEREOF**

(71) Applicant: **Laurent Jean Raymond Bouzige**, Nice  
(FR)

(72) Inventor: **Laurent Jean Raymond Bouzige**, Nice  
(FR)

(73) Assignee: **Toyota Jidosha Kabushiki Kaisha**,  
Toyota (JP)

(\*\*) Term: **15 Years**

(21) Appl. No.: **29/713,608**

(22) Filed: **Nov. 18, 2019**

(30) **Foreign Application Priority Data**

May 20, 2019 (JP) ..... 2019-010884

(51) **LOC (13) Cl.** ..... **12-08**

(52) **U.S. Cl.**  
USPC ..... **D12/91; D12/86**

(58) **Field of Classification Search**  
USPC ..... D12/86, 90-92, 88, 164; D21/424, 433,  
D21/434; 296/181.1-181.5, 183.1  
CPC ..... B62D 25/00; B62D 25/06; B62D 33/00;  
B62D 35/00  
See application file for complete search history.

(56) **References Cited**

**U.S. PATENT DOCUMENTS**

D647,820 S \* 11/2011 Jang ..... D12/91  
D710,759 S \* 8/2014 Ham ..... D12/91

D730,245 S \* 5/2015 Kim ..... D12/91  
D762,523 S \* 8/2016 Schneider ..... D12/91  
D800,019 S \* 10/2017 Castillo Aranda ..... D12/91  
D811,271 S \* 2/2018 Park ..... D12/91  
D836,026 S \* 12/2018 Renner ..... D12/86  
D909,245 S \* 2/2021 Busse ..... D12/91

**OTHER PUBLICATIONS**

Toyota's website: <https://toyota.jp/jpntaxi/>; Model: Toyota JPN Taxi  
(2018); Mfg.: Toyota; available on at least Dec. 31, 2018.  
NetCarShow.com: <https://www.netcarshow.com/renault/2014-kangoo/>;  
Model: Renault Kangoo (2014); Mfg.: Renault; available  
on at least Apr. 3, 2019.

\* cited by examiner

*Primary Examiner* — Melody N Brown

(74) *Attorney, Agent, or Firm* — Finnegan, Henderson,  
Farabow, Garrett & Dunner, L.L.P.

(57) **CLAIM**

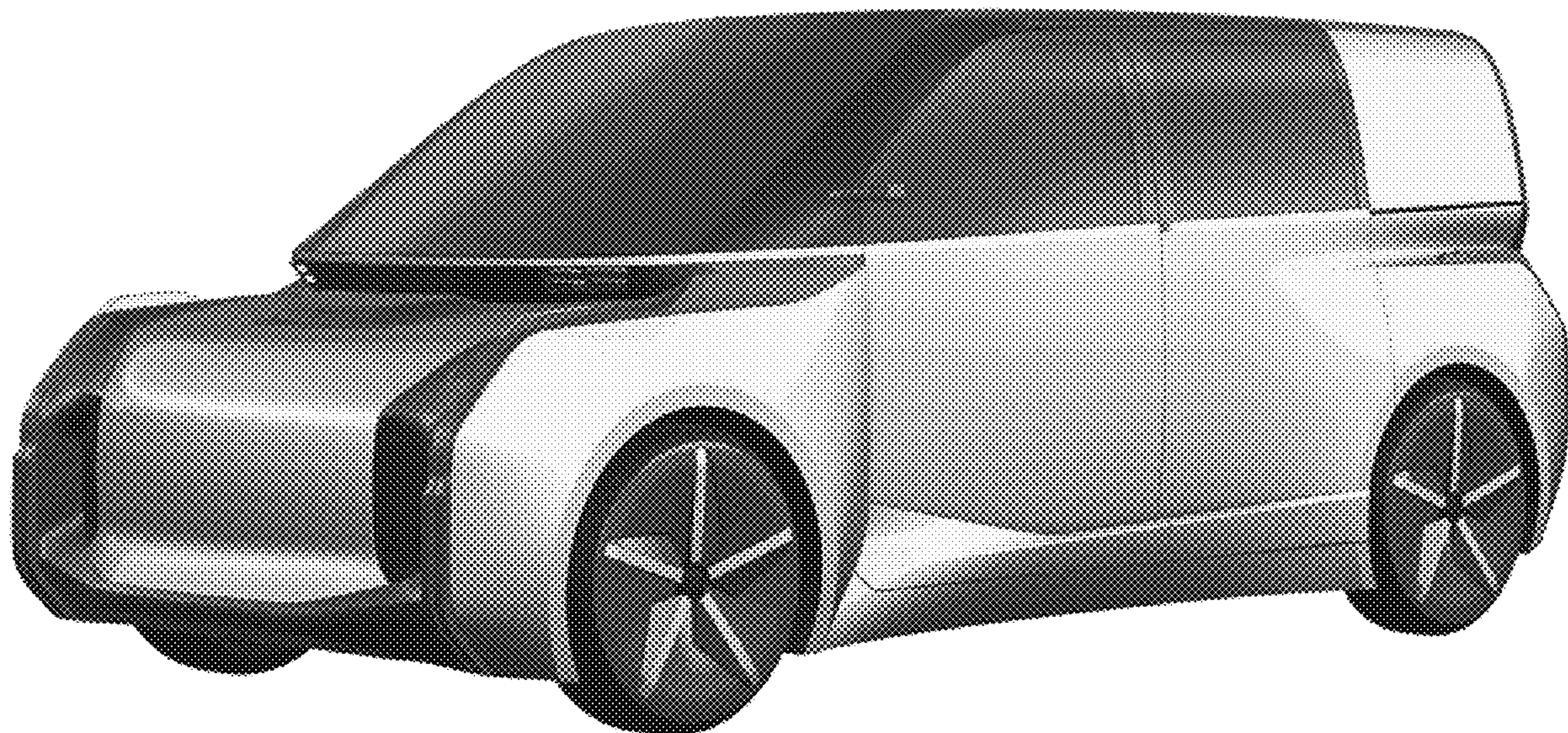
The ornamental design for a motor vehicle and/or toy replica  
thereof, as shown and described.

**DESCRIPTION**

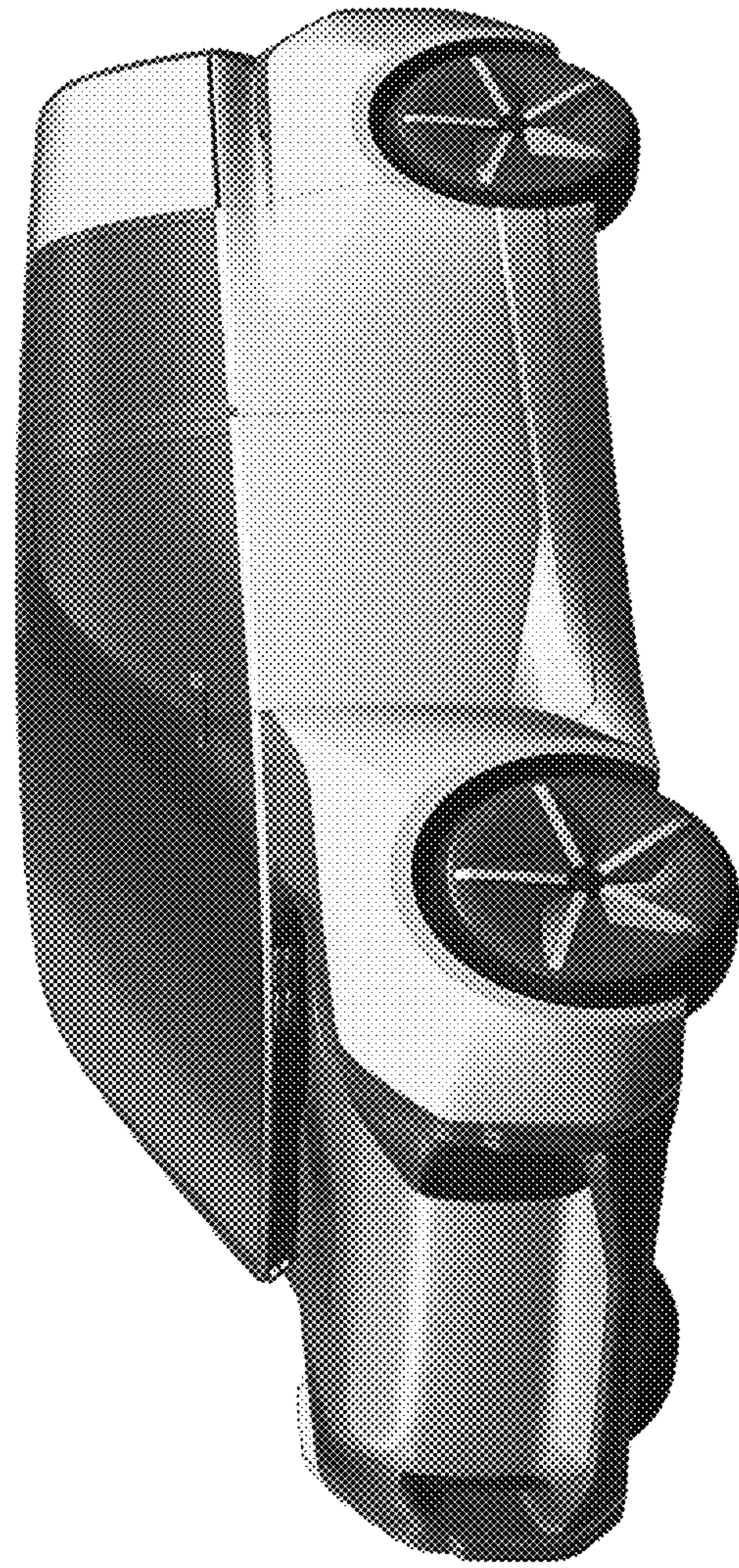
FIG. 1 is a left, front perspective view of a motor vehicle  
and/or toy replica showing our new design;  
FIG. 2 is a left, rear perspective view thereof;  
FIG. 3 is a front view thereof;  
FIG. 4 is a rear view thereof;  
FIG. 5 is a right side view thereof;  
FIG. 6 is a left side view thereof; and,  
FIG. 7 is a top view thereof.

The bottom view of the motor vehicle and/or toy replica  
forms no part of the claimed design.

**1 Claim, 7 Drawing Sheets**







**FIG. 1**



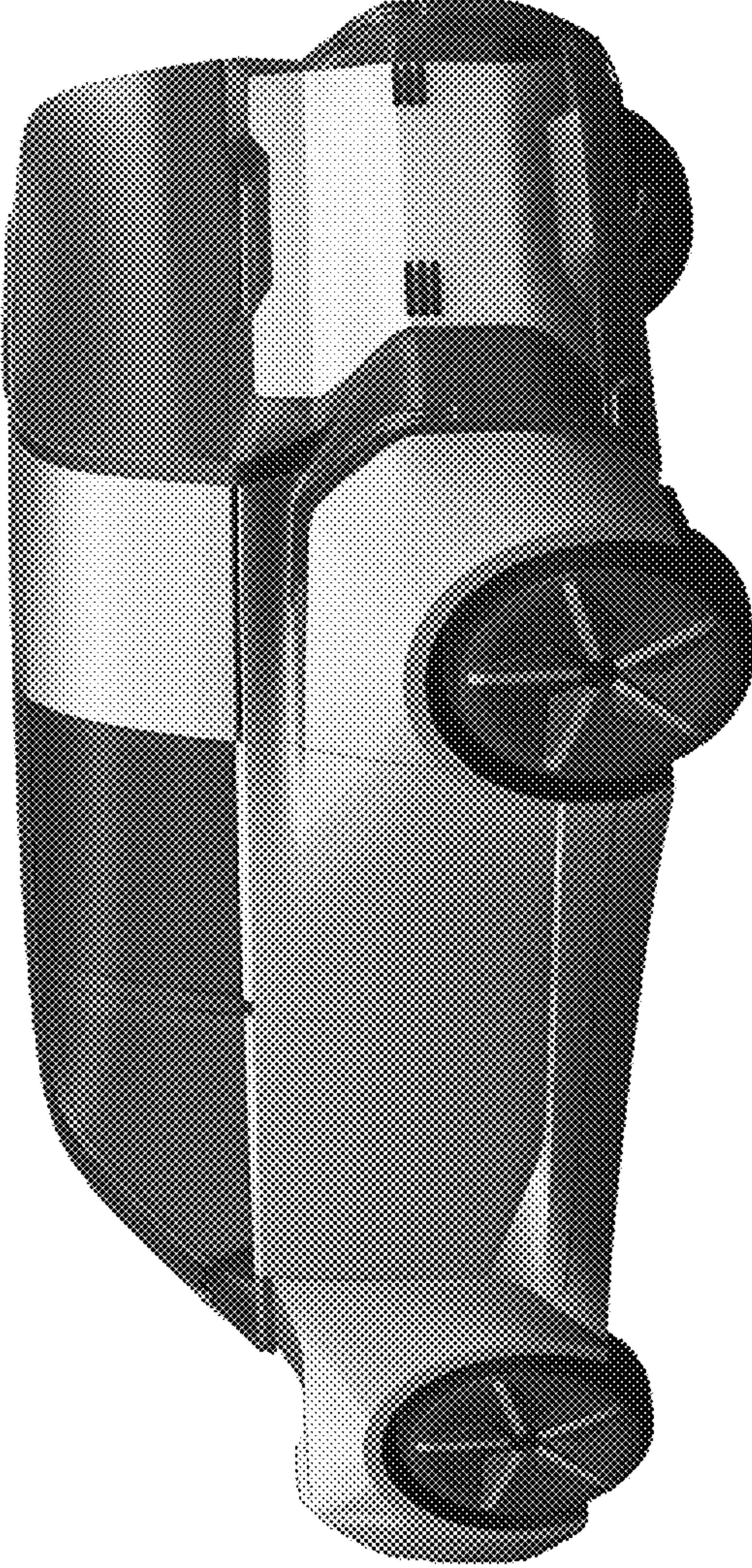
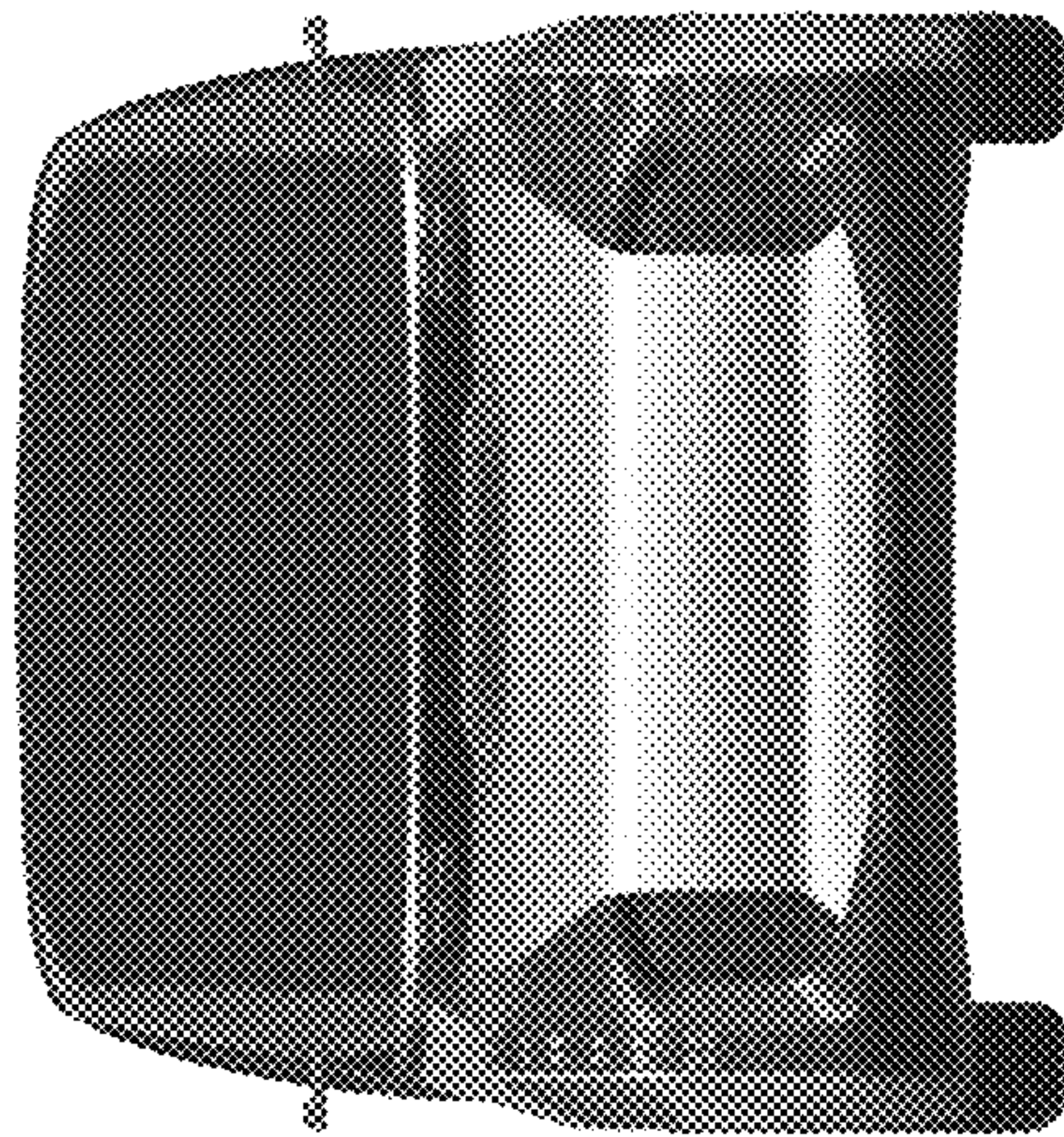
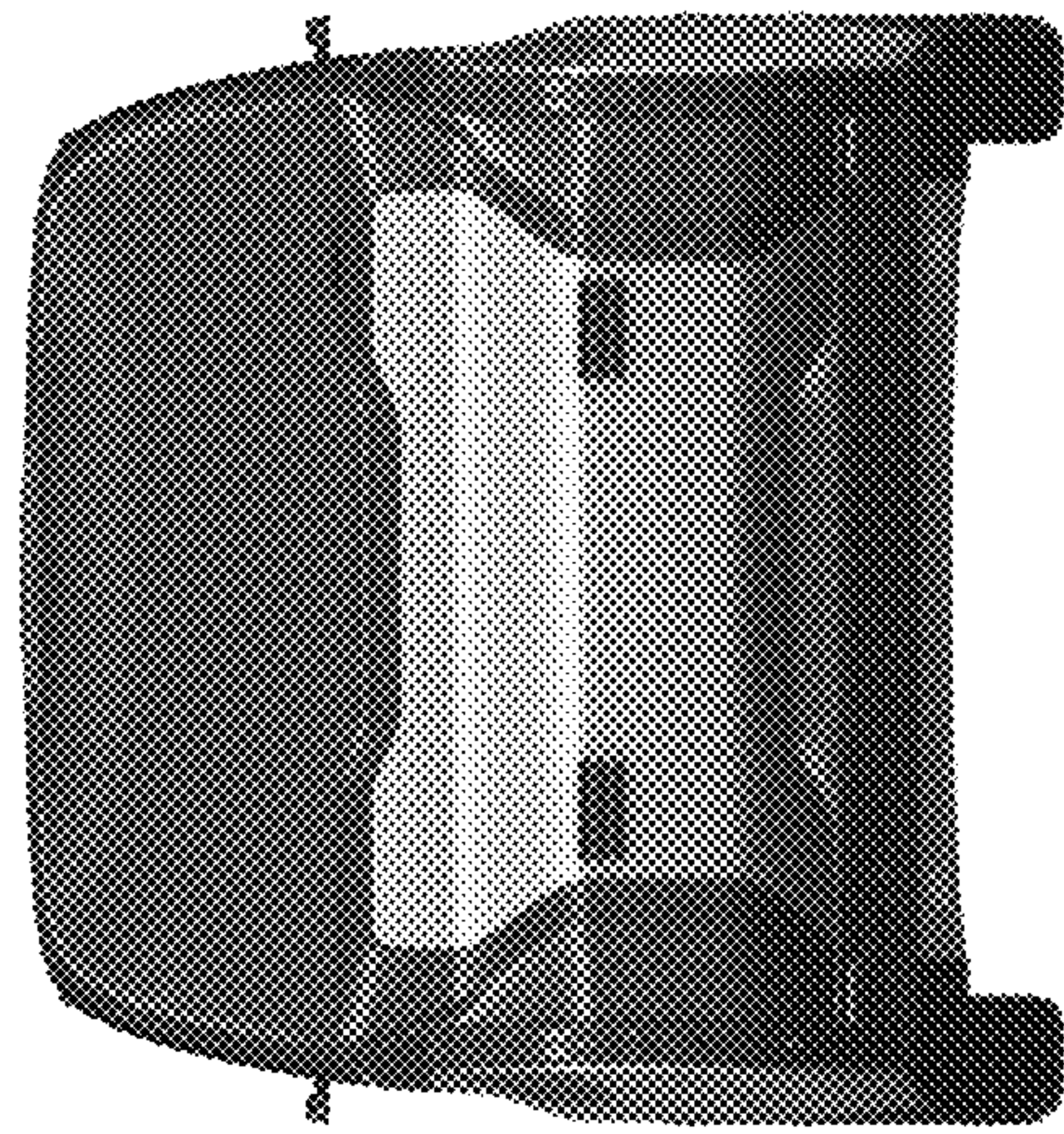


FIG. 2

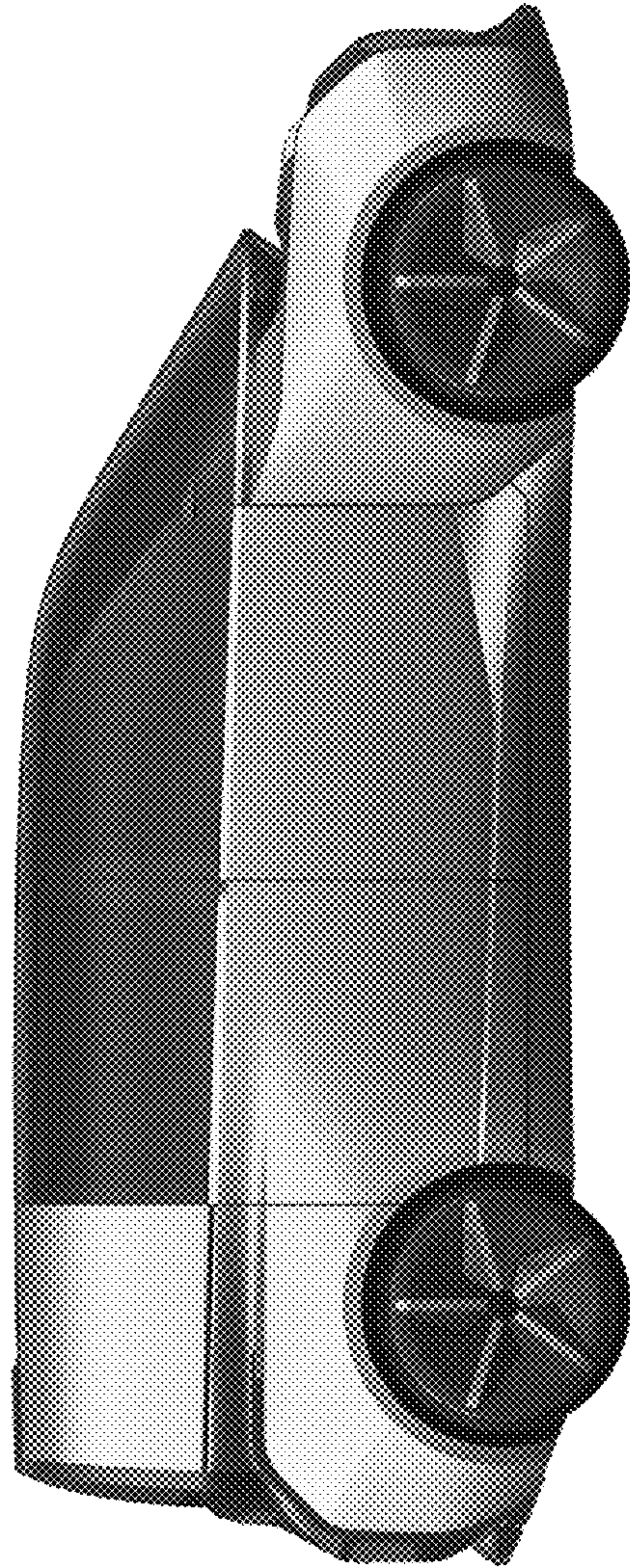


**FIG. 3**



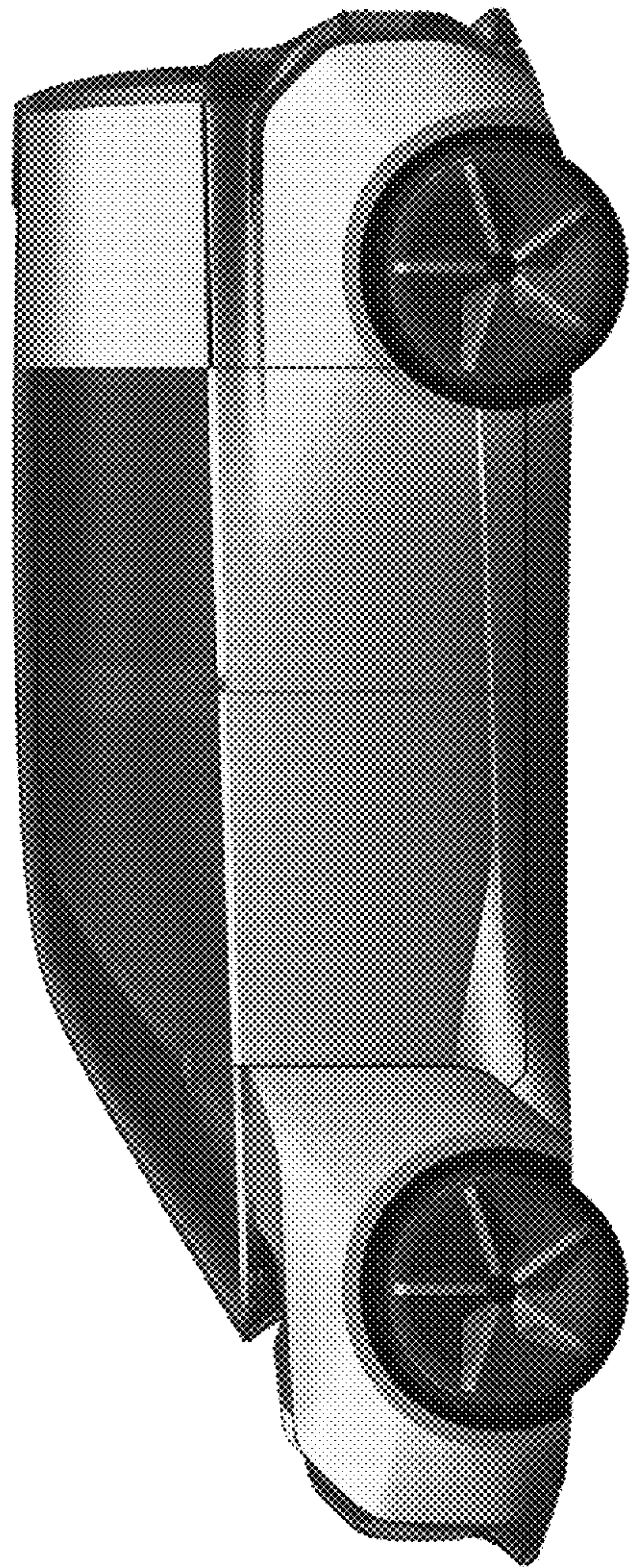


**FIG. 4**



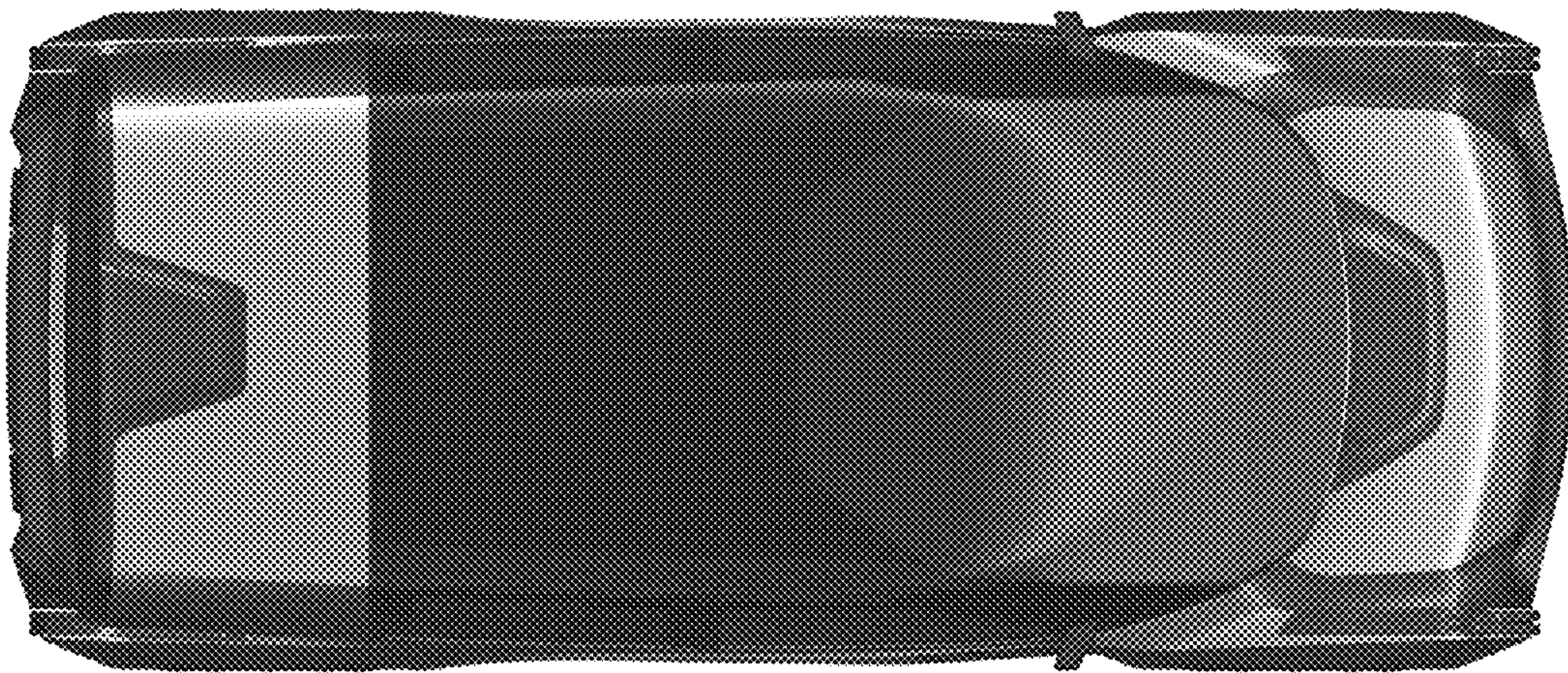
**FIG. 5**





**FIG. 6**





**FIG. 7**