



US00D932942S

(12) **United States Design Patent** (10) **Patent No.:** **US D932,942 S**  
**Ishii et al.** (45) **Date of Patent:** **\*\* Oct. 12, 2021**

(54) **MOTOR VEHICLE AND/OR TOY REPLICA THEREOF**

(71) Applicants: **SUBARU CORPORATION**, Tokyo (JP); **TOYOTA JIDOSHA KABUSHIKI KAISHA**, Toyota (JP)

(72) Inventors: **Mamoru Ishii**, Saitama (JP); **Yung Joo Presciutti**, Grasse (FR); **Ken Billes**, Antibes (FR)

(73) Assignees: **Subaru Corporation**, Tokyo (JP); **Toyota Jidosha Kabushiki Kaisha**, Toyota (JP)

(\*\*) Term: **15 Years**

(21) Appl. No.: **29/713,388**

(22) Filed: **Nov. 15, 2019**

(30) **Foreign Application Priority Data**

May 17, 2019 (JP) ..... 2019-010728

(51) **LOC (13) Cl.** ..... **12-08**

(52) **U.S. Cl.**  
USPC ..... **D12/91**

(58) **Field of Classification Search**  
USPC ..... D12/86, 90-92, 88, 164; D21/424, 433, D21/434; 296/181.1-181.5, 183.1  
CPC ..... B62D 25/00; B62D 25/06; B62D 33/00; B62D 35/00  
See application file for complete search history.

(56) **References Cited**

U.S. PATENT DOCUMENTS

D726,591 S \* 4/2015 Jacob ..... D12/91  
D732,428 S \* 6/2015 Nanba ..... D12/91  
D835,000 S \* 12/2018 Tomasson ..... D12/91  
D847,026 S \* 4/2019 Lips ..... D12/91  
D911,222 S \* 2/2021 Jung ..... D12/91  
D914,544 S \* 3/2021 Sheffield ..... D12/91

\* cited by examiner

*Primary Examiner* — Melody N Brown

(74) *Attorney, Agent, or Firm* — Finnegan, Henderson, Farabow, Garrett & Dunner, L.L.P.

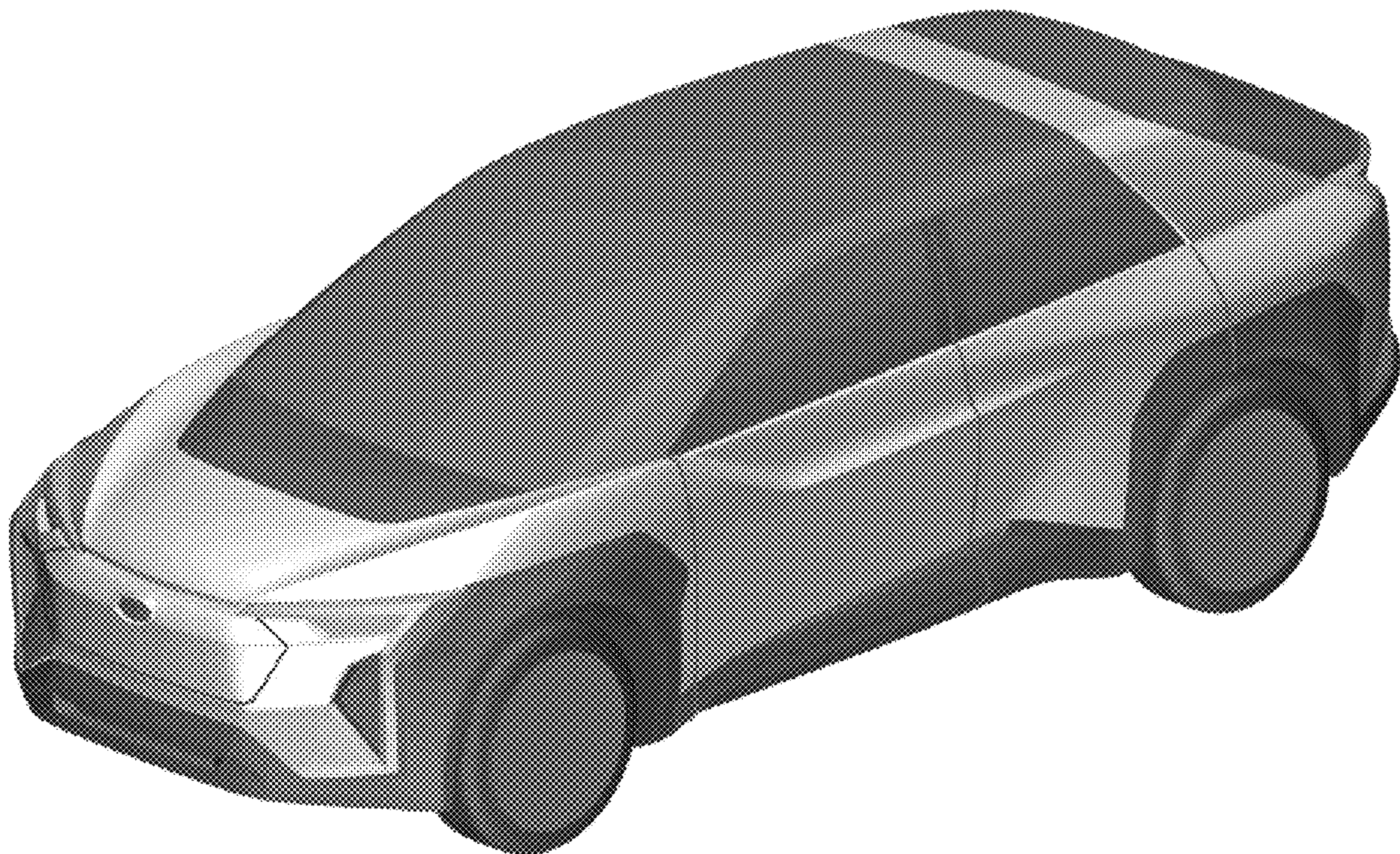
(57) **CLAIM**

The ornamental design for a motor vehicle and/or toy replica thereof, as shown and described.

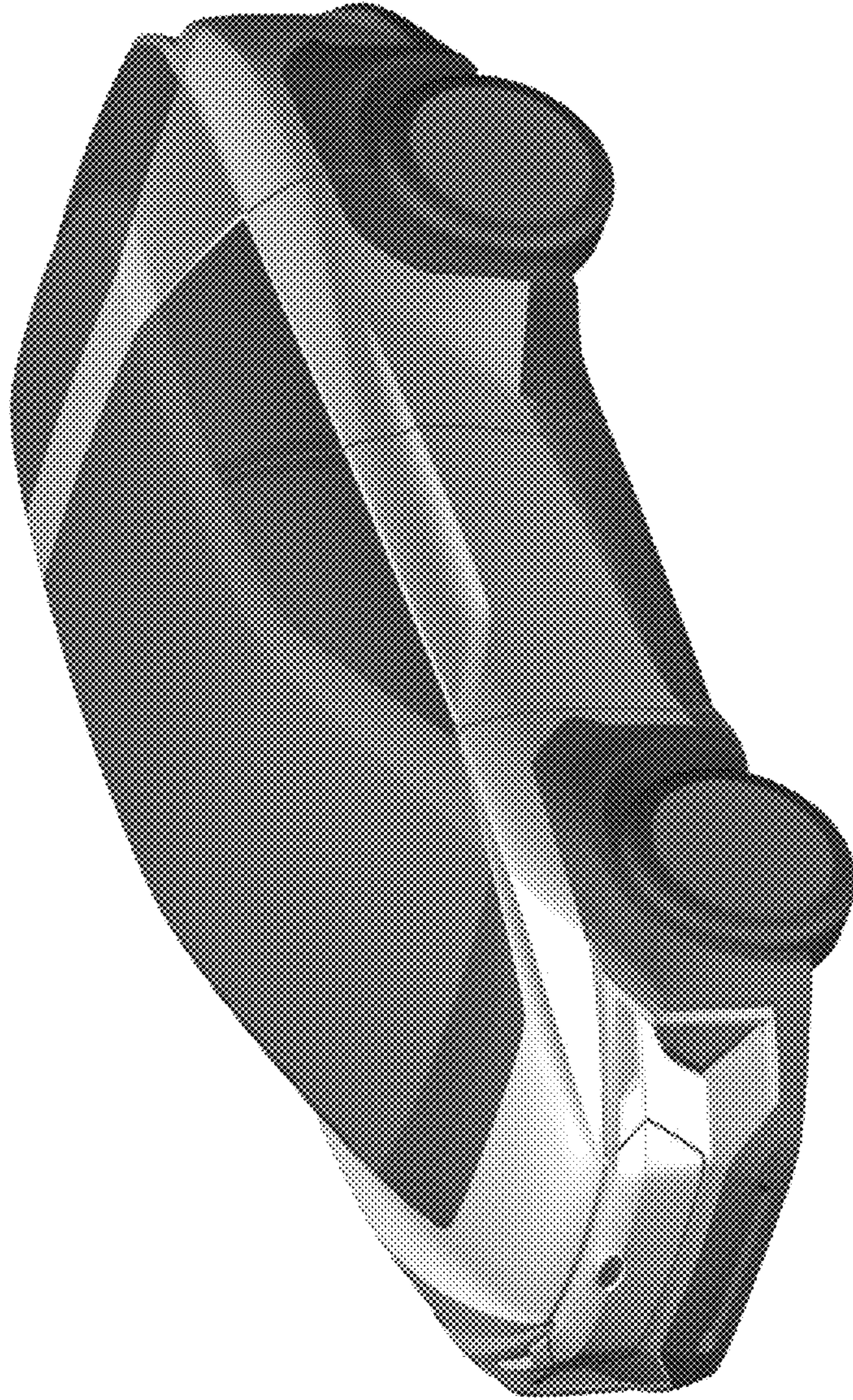
**DESCRIPTION**

FIG. 1 is a left, front perspective view of a motor vehicle and/or toy replica showing our new design; FIG. 2 is a left, rear perspective view thereof; FIG. 3 is a front view thereof; FIG. 4 is a rear view thereof; FIG. 5 is a right side view thereof; FIG. 6 is a left side view thereof; and, FIG. 7 is a top view thereof.  
The bottom view of the motor vehicle and/or toy replica forms no part of the claimed design.

**1 Claim, 7 Drawing Sheets**

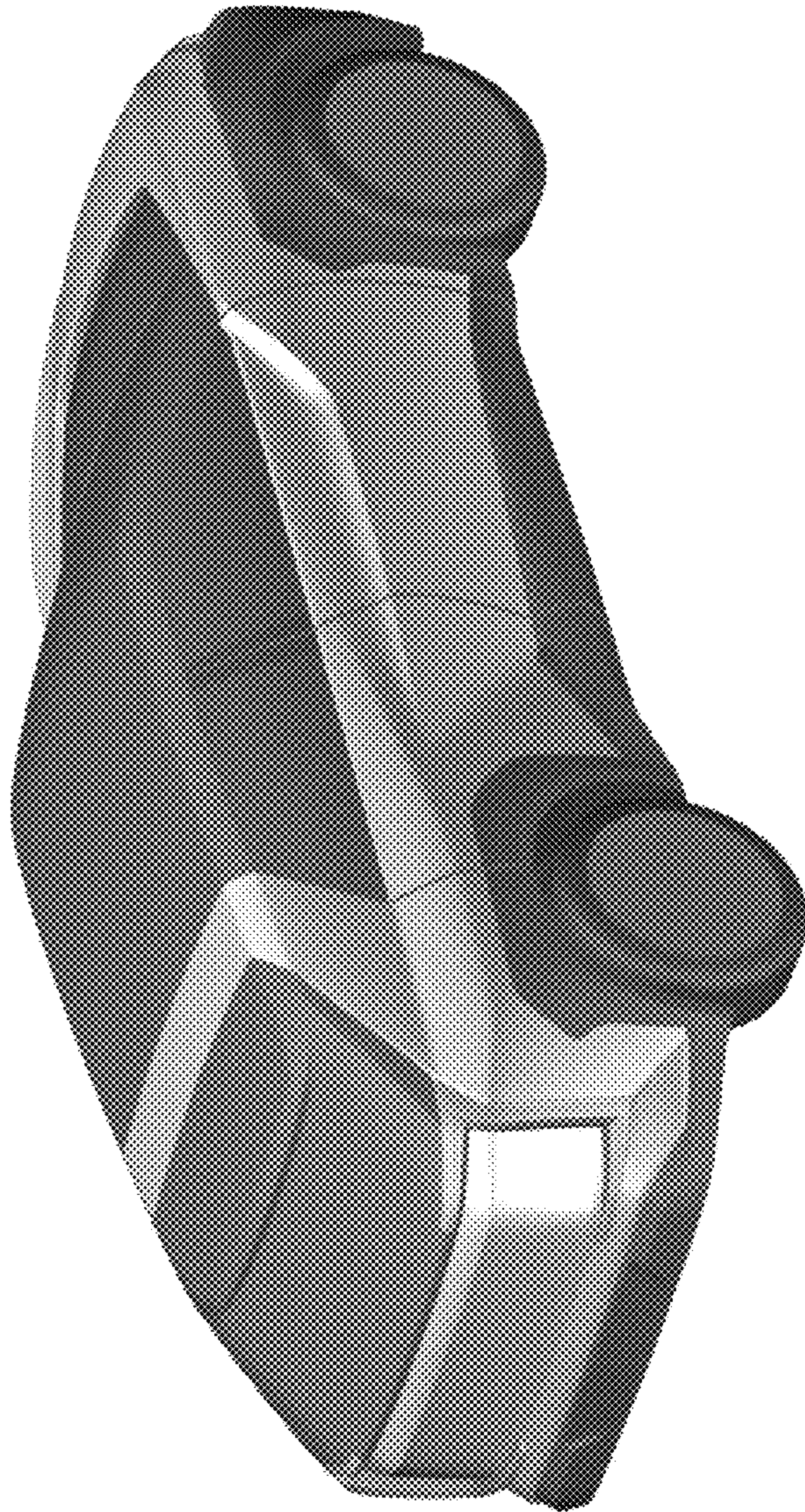




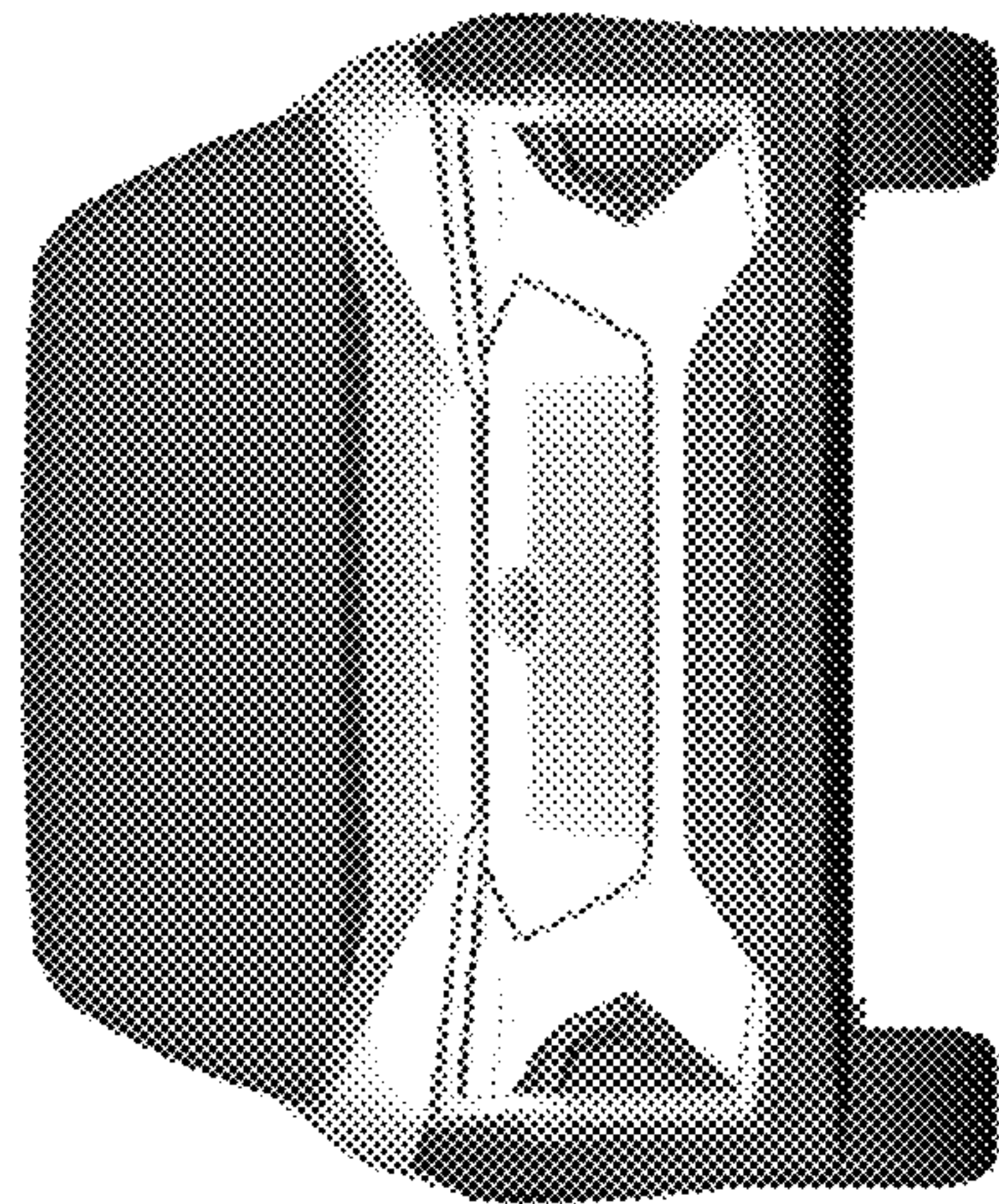


**FIG. 1**



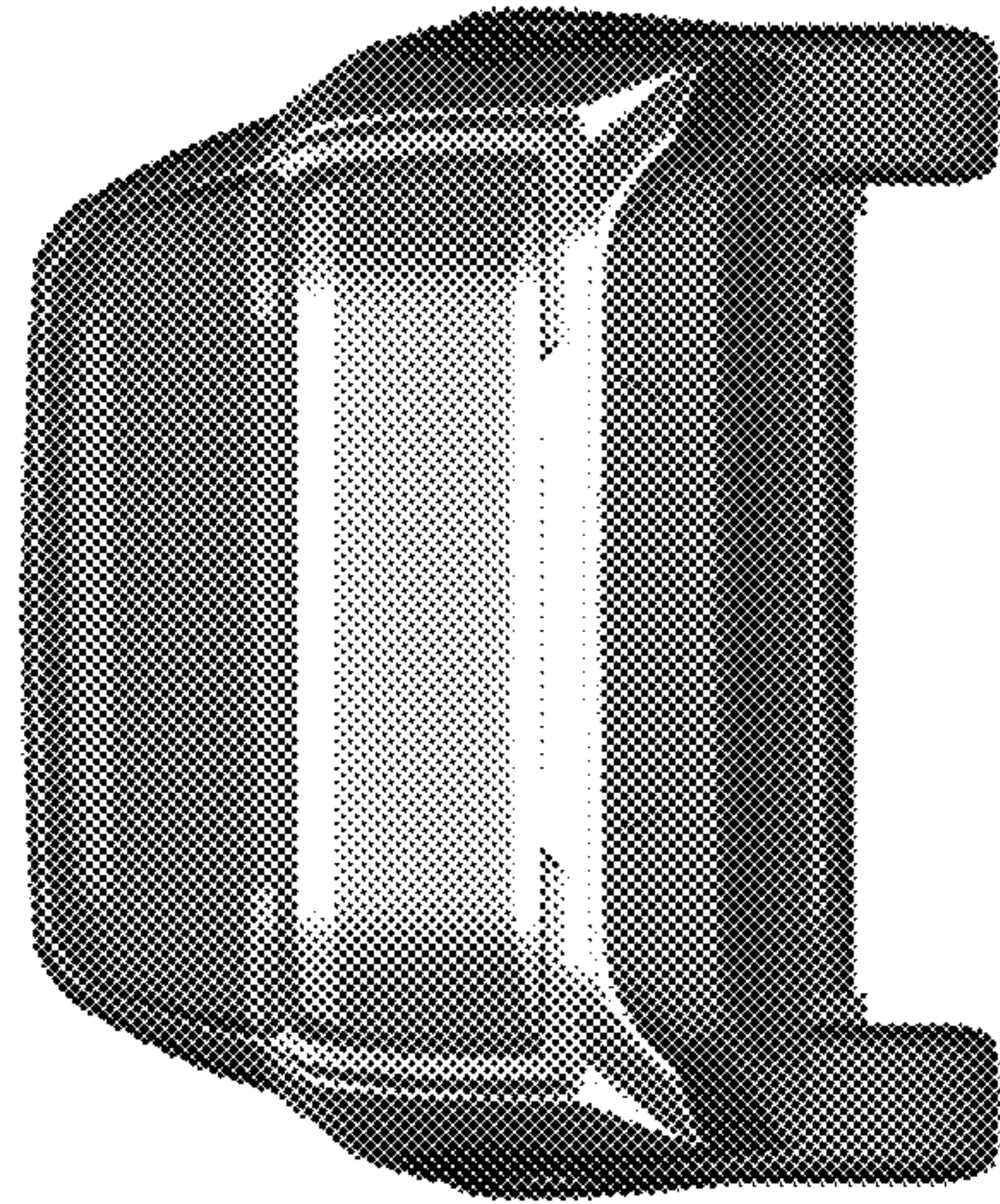


**FIG. 2**

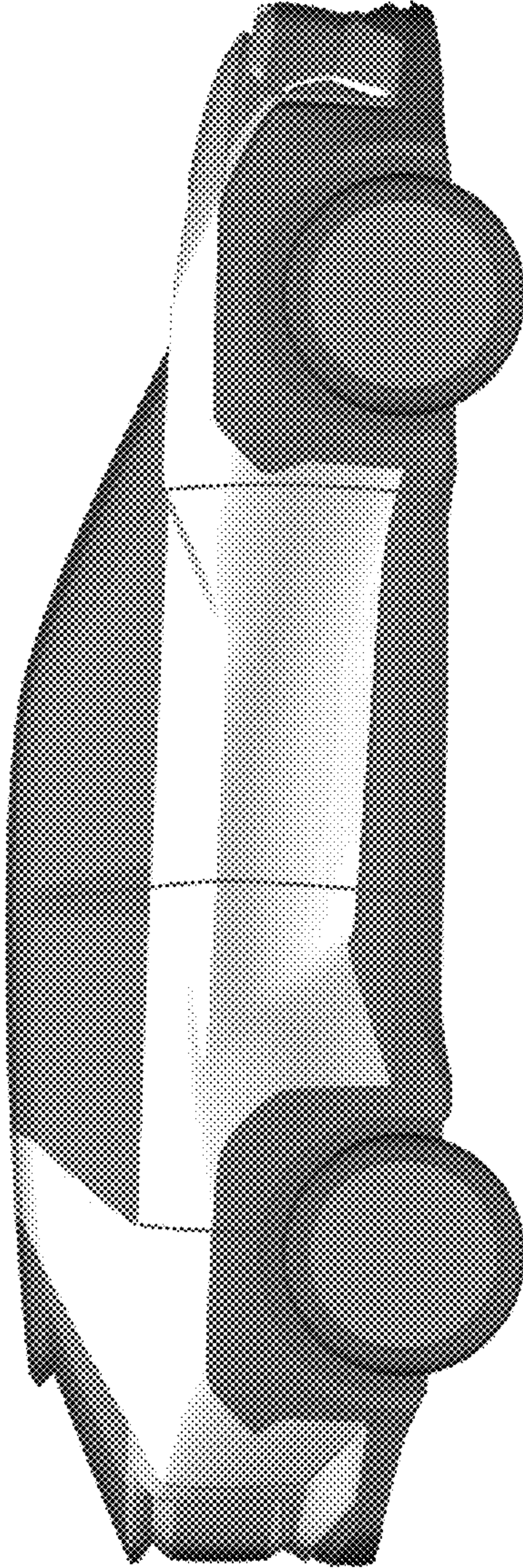


**FIG. 3**

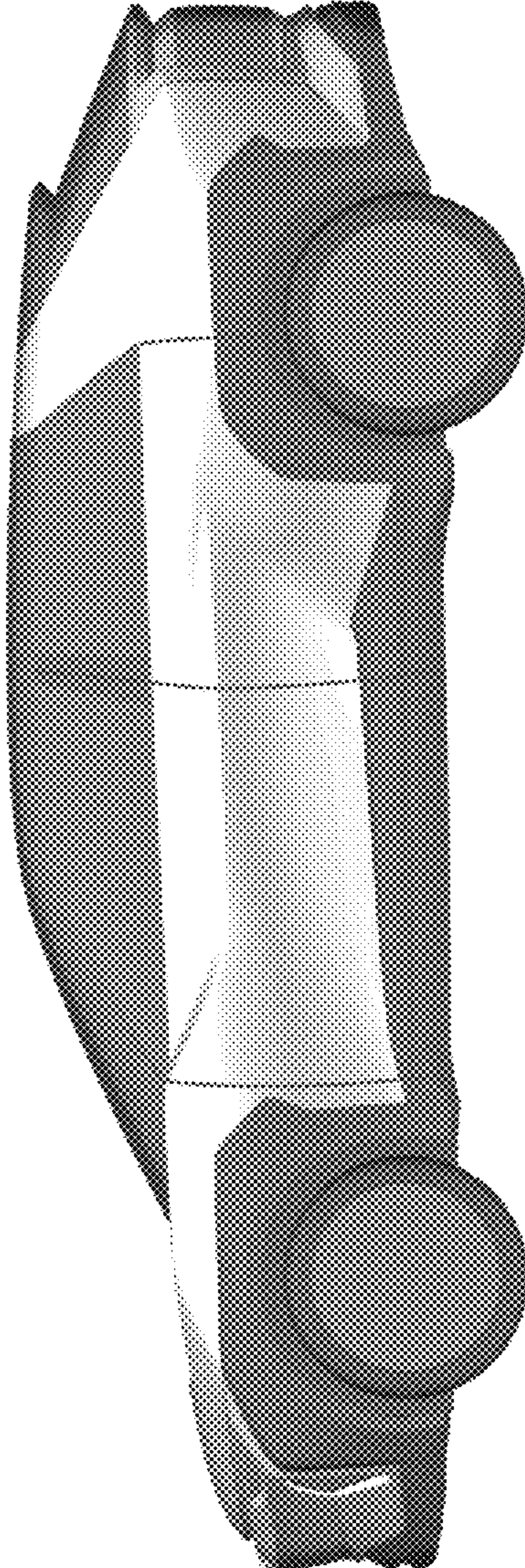




**FIG. 4**

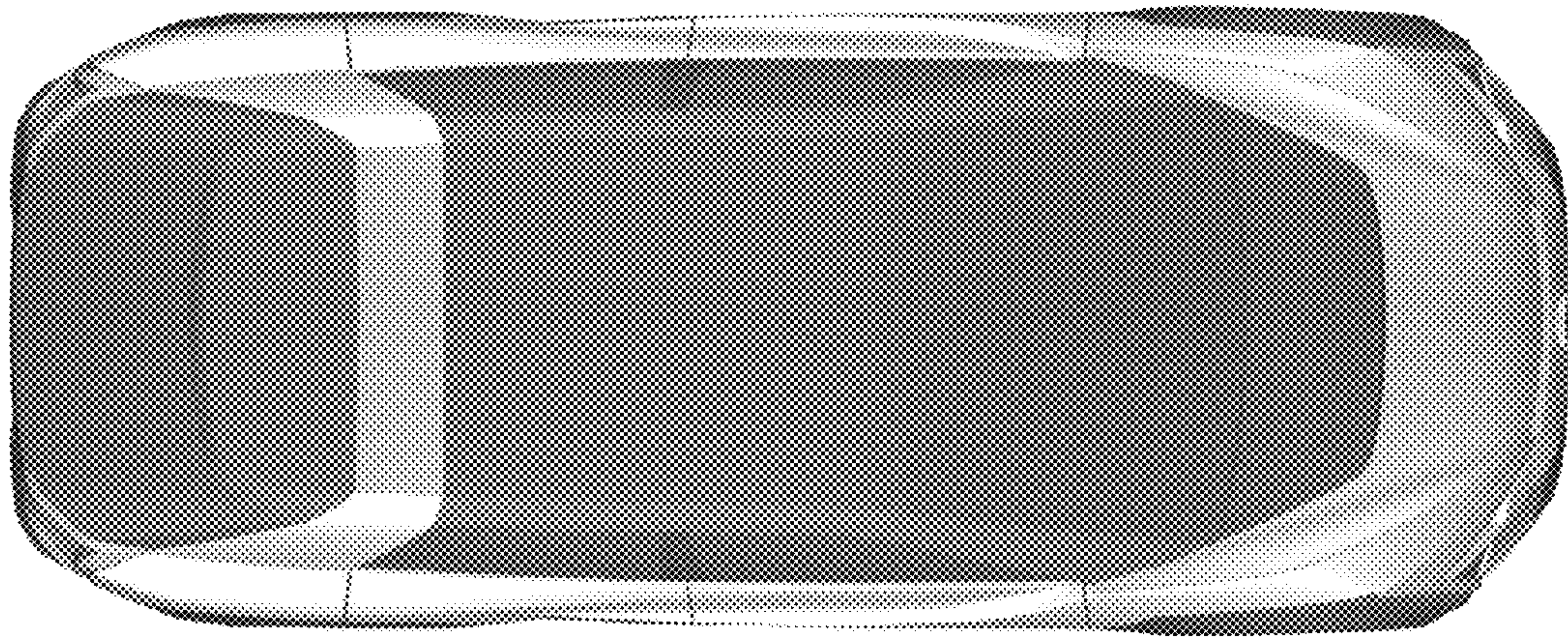


**FIG. 5**



**FIG. 6**





**FIG. 7**



UNITED STATES PATENT AND TRADEMARK OFFICE  
**CERTIFICATE OF CORRECTION**

PATENT NO. : D932,942 S  
APPLICATION NO. : 29/713388  
DATED : October 12, 2021  
INVENTOR(S) : Mamoru Ishii et al.

Page 1 of 1

It is certified that error appears in the above-identified patent and that said Letters Patent is hereby corrected as shown below:

On the Title Page

In the DESCRIPTION, the FIG. 2 description should read as follows:

FIG. 2 is a right, rear perspective view thereof;

Signed and Sealed this  
Twelfth Day of July, 2022



Katherine Kelly Vidal  
*Director of the United States Patent and Trademark Office*