



US00D932941S

(12) **United States Design Patent** (10) **Patent No.:** **US D932,941 S**  
**Baek** (45) **Date of Patent:** **\*\* Oct. 12, 2021**

(54) **AUTOMOBILE BODY**

(71) Applicant: **HONDA MOTOR CO., LTD.**, Tokyo (JP)

(72) Inventor: **Jongkuk Baek**, Wako (JP)

(73) Assignee: **HONDA MOTOR CO., LTD.**, Tokyo (JP)

(\*\*) Term: **15 Years**

(21) Appl. No.: **29/710,429**

(22) Filed: **Oct. 23, 2019**

(30) **Foreign Application Priority Data**

Apr. 26, 2019 (JP) ..... 2019-009489

(51) **LOC (13) Cl.** ..... **12-08**

(52) **U.S. Cl.**  
USPC ..... **D12/91**

(58) **Field of Classification Search**  
USPC ..... D12/86, 90-92, 88, 164; D21/424, 433,  
D21/434; 296/181.1-181.5, 183.1  
CPC ..... B62D 25/00; B62D 25/06; B62D 33/00;  
B62D 35/00  
See application file for complete search history.

(56) **References Cited**

**U.S. PATENT DOCUMENTS**

D686,949 S *	7/2013	Minami	.....	D12/91
D705,700 S *	5/2014	Chen	.....	D12/91
D712,312 S *	9/2014	Nakayama	.....	D12/91
D719,486 S *	12/2014	Murakami	.....	D12/91
D719,875 S *	12/2014	Jang	.....	D12/91
D724,493 S *	3/2015	Kobayashi	.....	D12/91
D727,795 S *	4/2015	Wagner	.....	D12/91

D728,422 S *	5/2015	Minami	.....	D12/91
D742,281 S *	11/2015	Ishii	.....	D12/91
D756,848 S *	5/2016	Toriyama	.....	D12/91
D759,540 S *	6/2016	Davidson	.....	D12/91
D761,693 S *	7/2016	Lian	.....	D12/91
D766,778 S *	9/2016	Lian	.....	D12/91
D770,330 S *	11/2016	Watanabe	.....	D12/91
D803,725 S *	11/2017	Suzuki	.....	D12/91
D804,996 S *	12/2017	Sahara	.....	D12/91
D807,227 S *	1/2018	Chen	.....	D12/91
D810,625 S *	2/2018	Sungjun	.....	D12/91
D820,160 S *	6/2018	Smock	.....	D12/91
D823,165 S *	7/2018	Chung	.....	D12/91
D847,694 S *	5/2019	Smock	.....	D12/91
D883,144 S *	5/2020	Schell	.....	D12/91
D888,614 S *	6/2020	Melville-Brown	.....	D12/91

\* cited by examiner

*Primary Examiner* — Melody N Brown

(74) *Attorney, Agent, or Firm* — Westerman, Hattori, Daniels & Adrian, LLP

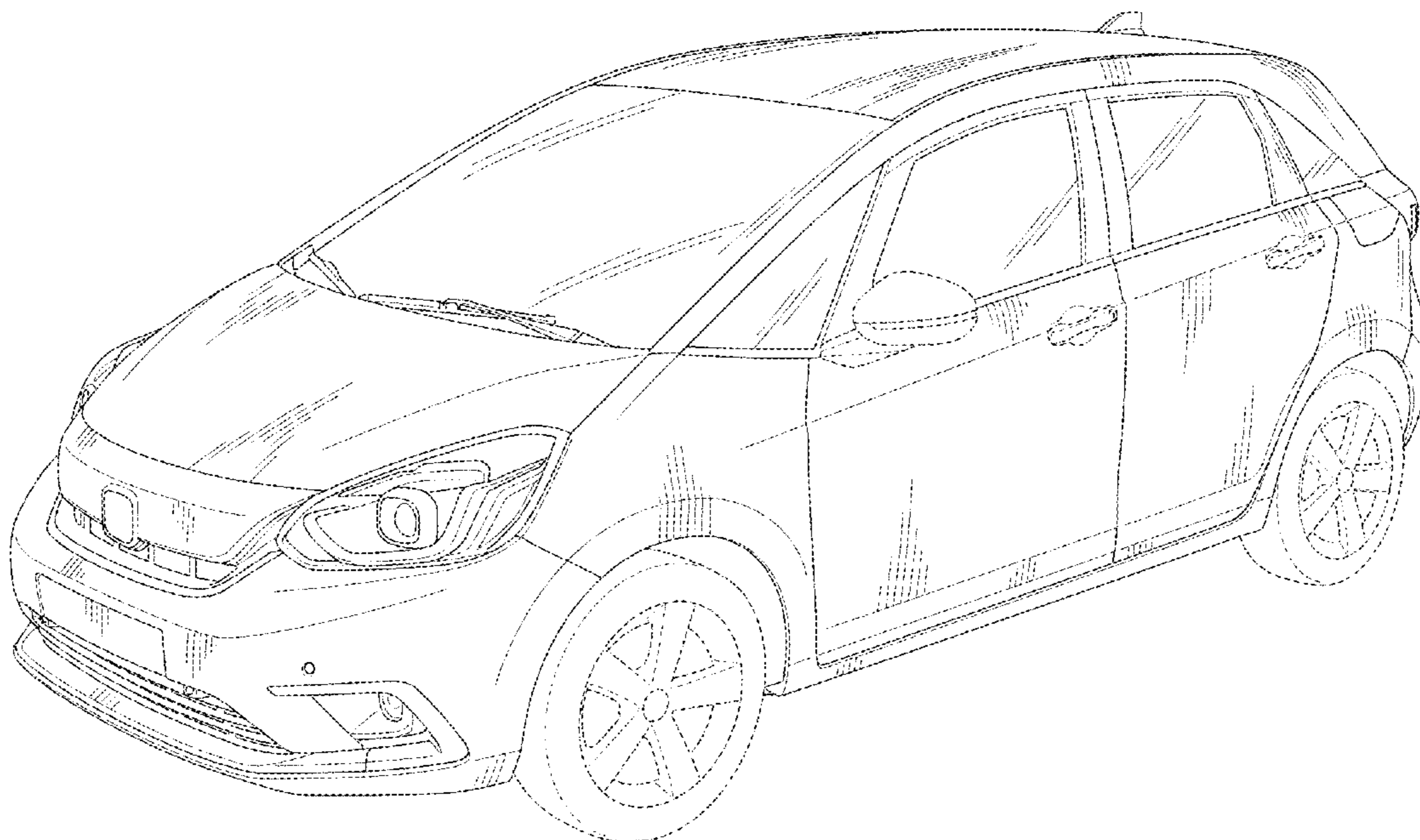
(57) **CLAIM**

The ornamental design for an automobile body, as shown and described.

**DESCRIPTION**

FIG. 1 is a right side elevational view of an automobile body showing my new design;  
FIG. 2 is a left side elevational view thereof;  
FIG. 3 is a front elevational view thereof;  
FIG. 4 is a rear elevational view thereof;  
FIG. 5 is a top plan view thereof;  
FIG. 6 is a front and right side perspective view thereof; and,  
FIG. 7 is a rear and right side perspective view thereof.  
The portions of the automobile body shown in broken lines throughout the drawing views are for environmental and illustrative purposes and form no part of the claimed design.

**1 Claim, 7 Drawing Sheets**



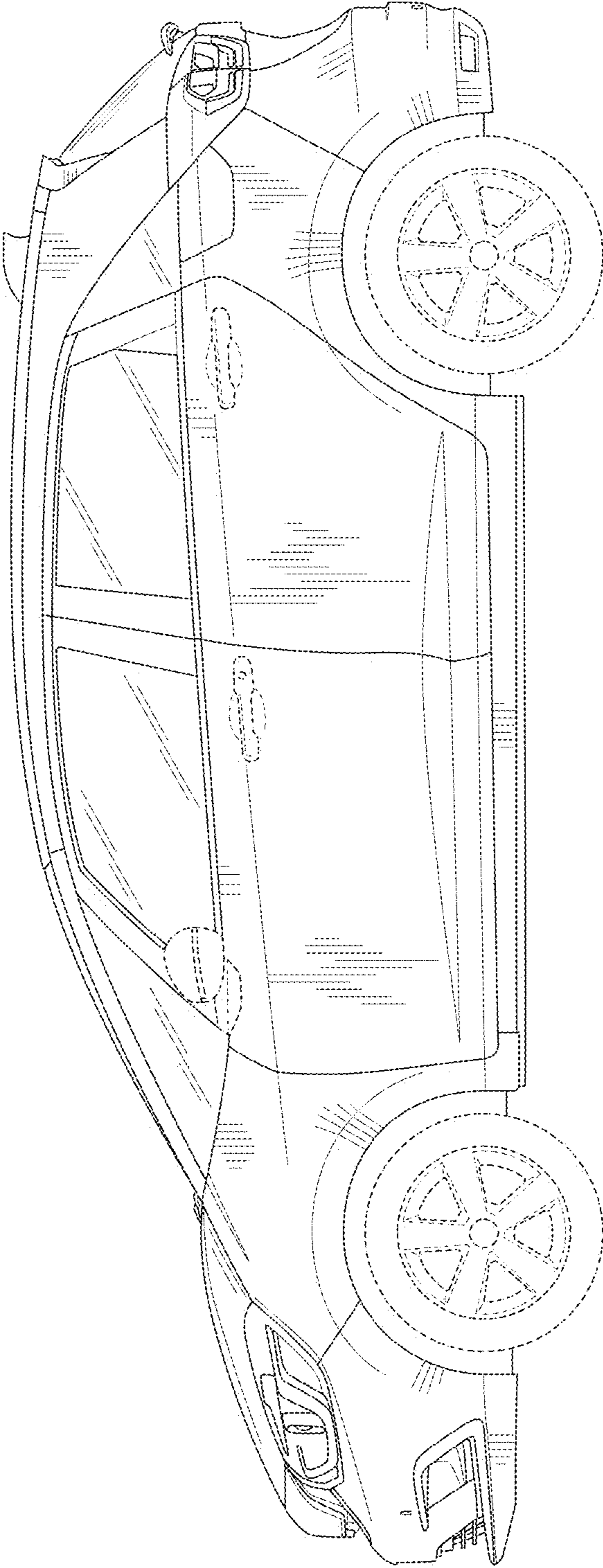


FIG. 1

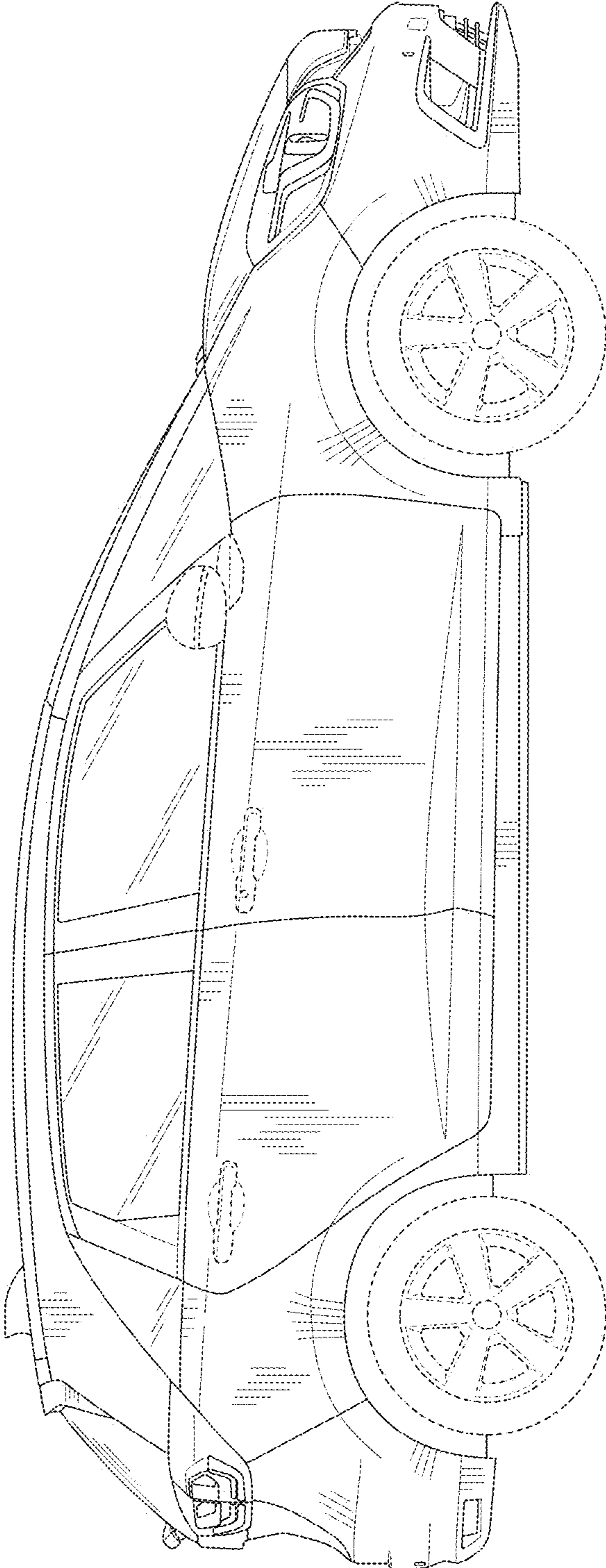


FIG. 2

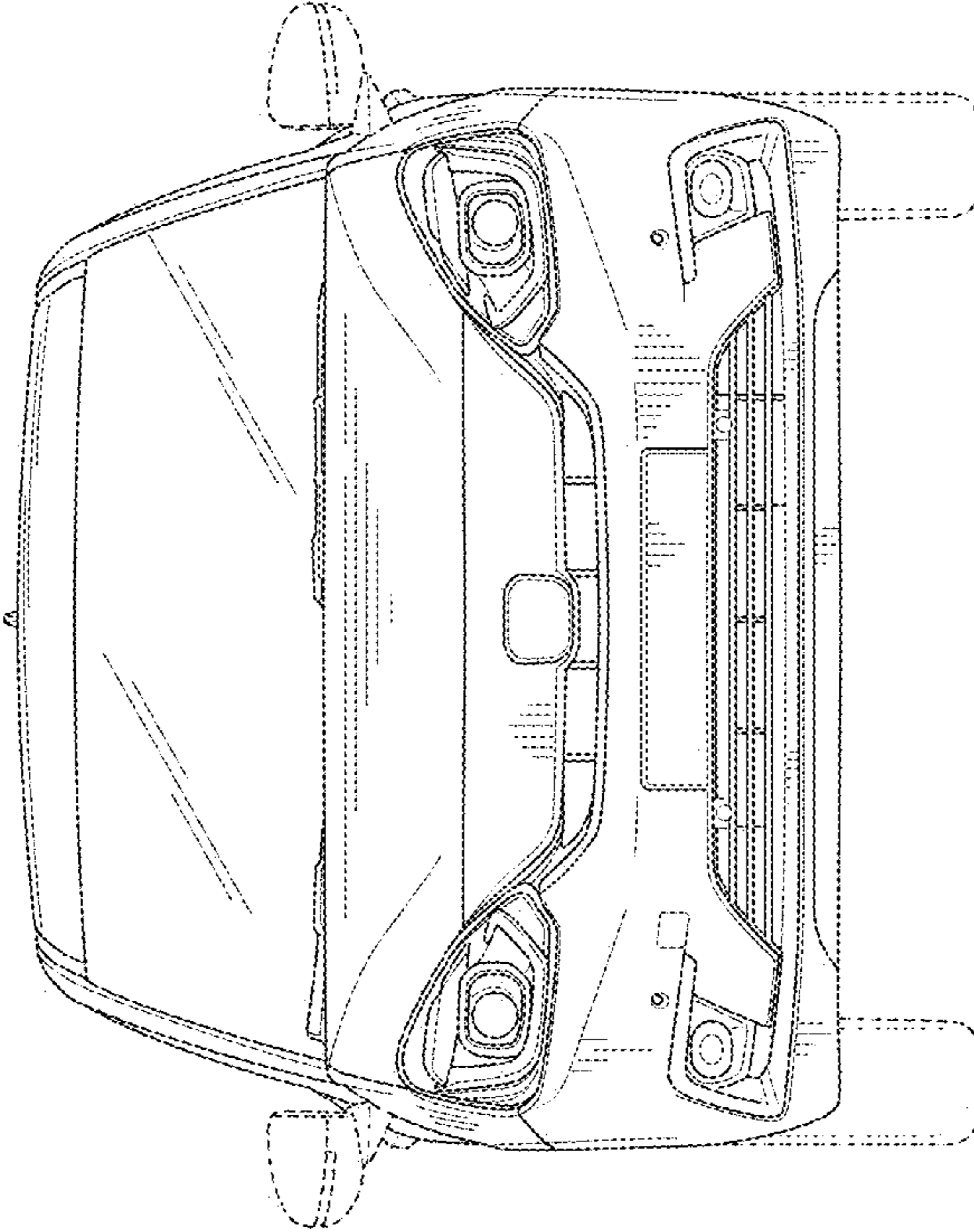


FIG. 3

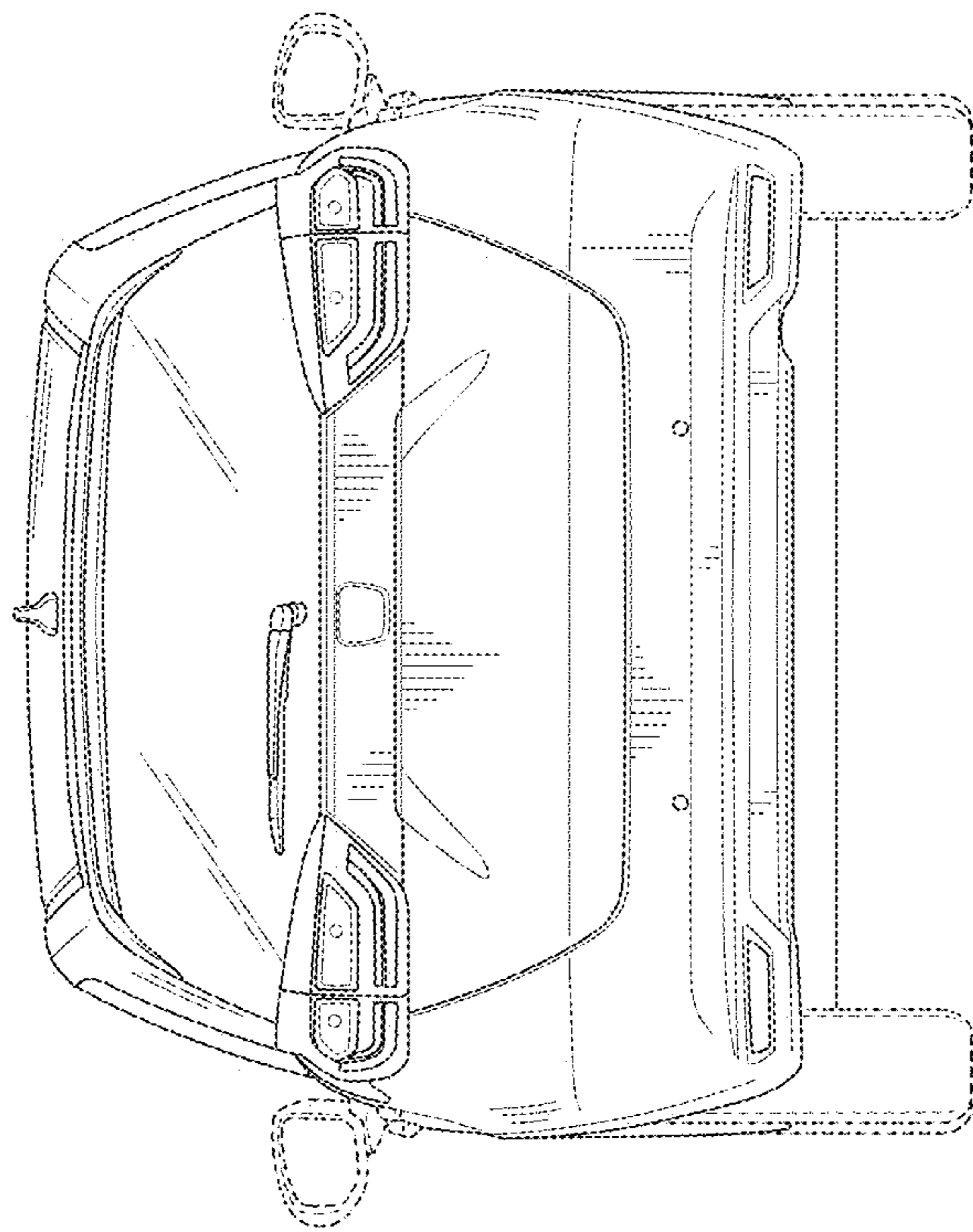


FIG. 4

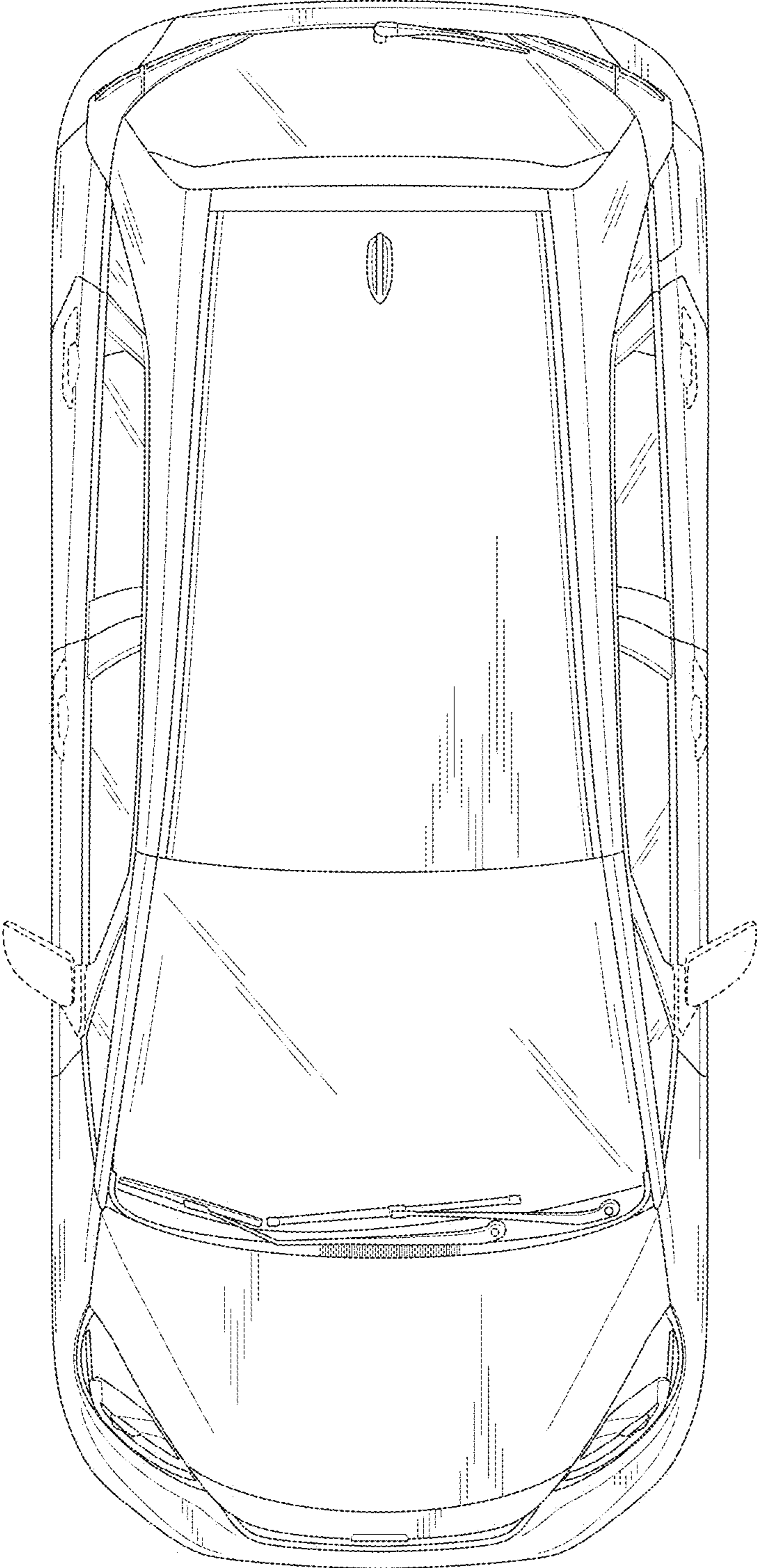


FIG. 5

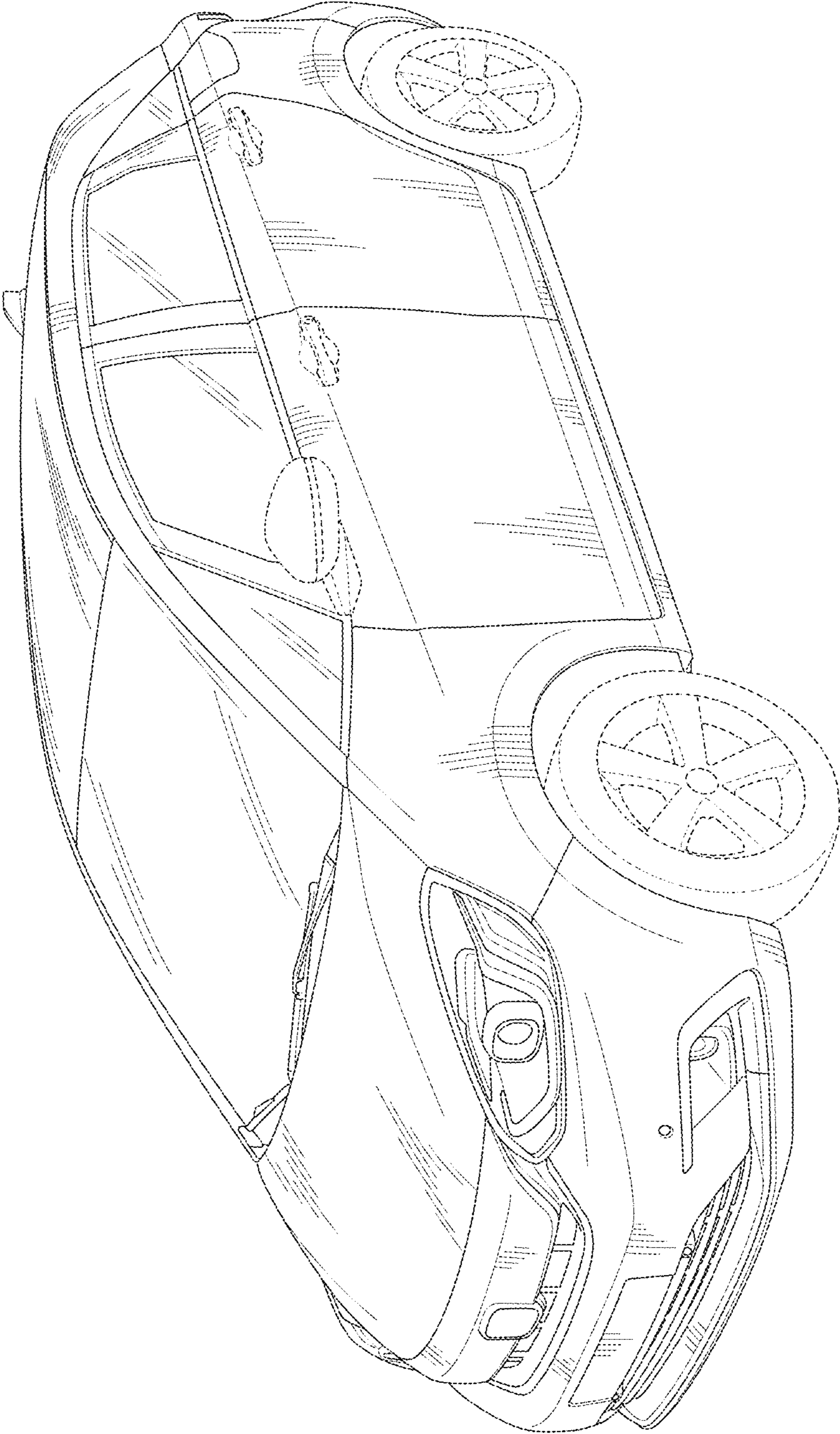


FIG. 6

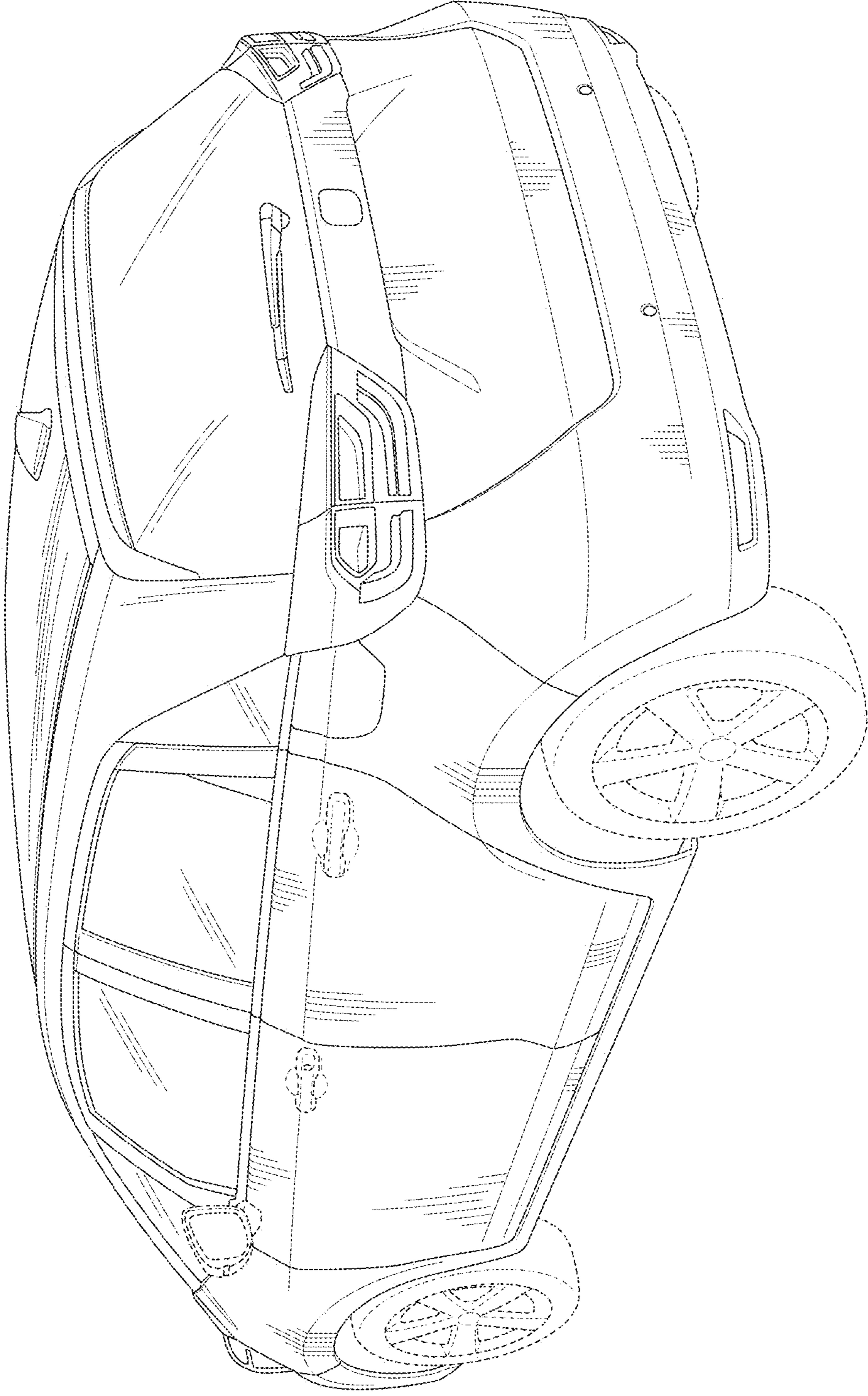


FIG. 7