



US00D932940S

(12) **United States Design Patent** (10) **Patent No.:** **US D932,940 S**
Baek (45) **Date of Patent:** **** Oct. 12, 2021**

(54) **AUTOMOBILE BODY**

(71) Applicant: **HONDA MOTOR CO., LTD.**, Tokyo (JP)

(72) Inventor: **Jongkuk Baek**, Wako (JP)

(73) Assignee: **HONDA MOTOR CO., LTD.**, Tokyo (JP)

(**) Term: **15 Years**

(21) Appl. No.: **29/710,260**

(22) Filed: **Oct. 22, 2019**

(30) **Foreign Application Priority Data**

Apr. 26, 2019 (JP) 2019-009491

(51) **LOC (13) Cl.** **12-08**

(52) **U.S. Cl.**
USPC **D12/91**

(58) **Field of Classification Search**
USPC D12/86, 90-92, 88, 164; D21/424, 433,
D21/434; 296/181.1-181.5, 183.1
CPC B62D 25/00; B62D 25/06; B62D 33/00;
B62D 35/00
See application file for complete search history.

(56) **References Cited**

U.S. PATENT DOCUMENTS

D686,949 S * 7/2013 Minami D12/91
D705,700 S * 5/2014 Chen D12/91
D712,312 S * 9/2014 Nakayama D12/91
D719,486 S * 12/2014 Murakami D12/91
D719,875 S * 12/2014 Jang D12/91
D724,493 S * 3/2015 Kobayashi D12/91
D727,795 S * 4/2015 Wagner D12/91

D728,422 S * 5/2015 Minami D12/91
D742,281 S * 11/2015 Ishii D12/91
D756,848 S * 5/2016 Toriyama D12/91
D759,540 S * 6/2016 Davidson D12/91
D761,693 S * 7/2016 Lian D12/91
D766,778 S * 9/2016 Lian D12/91
D770,330 S * 11/2016 Watanabe D12/91
D803,725 S * 11/2017 Suzuki D12/91
D804,996 S * 12/2017 Sahara D12/91
D807,227 S * 1/2018 Chen D12/91
D810,625 S * 2/2018 Sungjun D12/91
D820,160 S * 6/2018 Smock D12/91
D823,165 S * 7/2018 Chung D12/91
D847,694 S * 5/2019 Smock D12/91
D883,144 S * 5/2020 Schell D12/91
D888,614 S * 6/2020 Melville-Brown D12/91

* cited by examiner

Primary Examiner — Melody N Brown

(74) *Attorney, Agent, or Firm* — Westerman, Hattori,
Daniels & Adrian, LLP

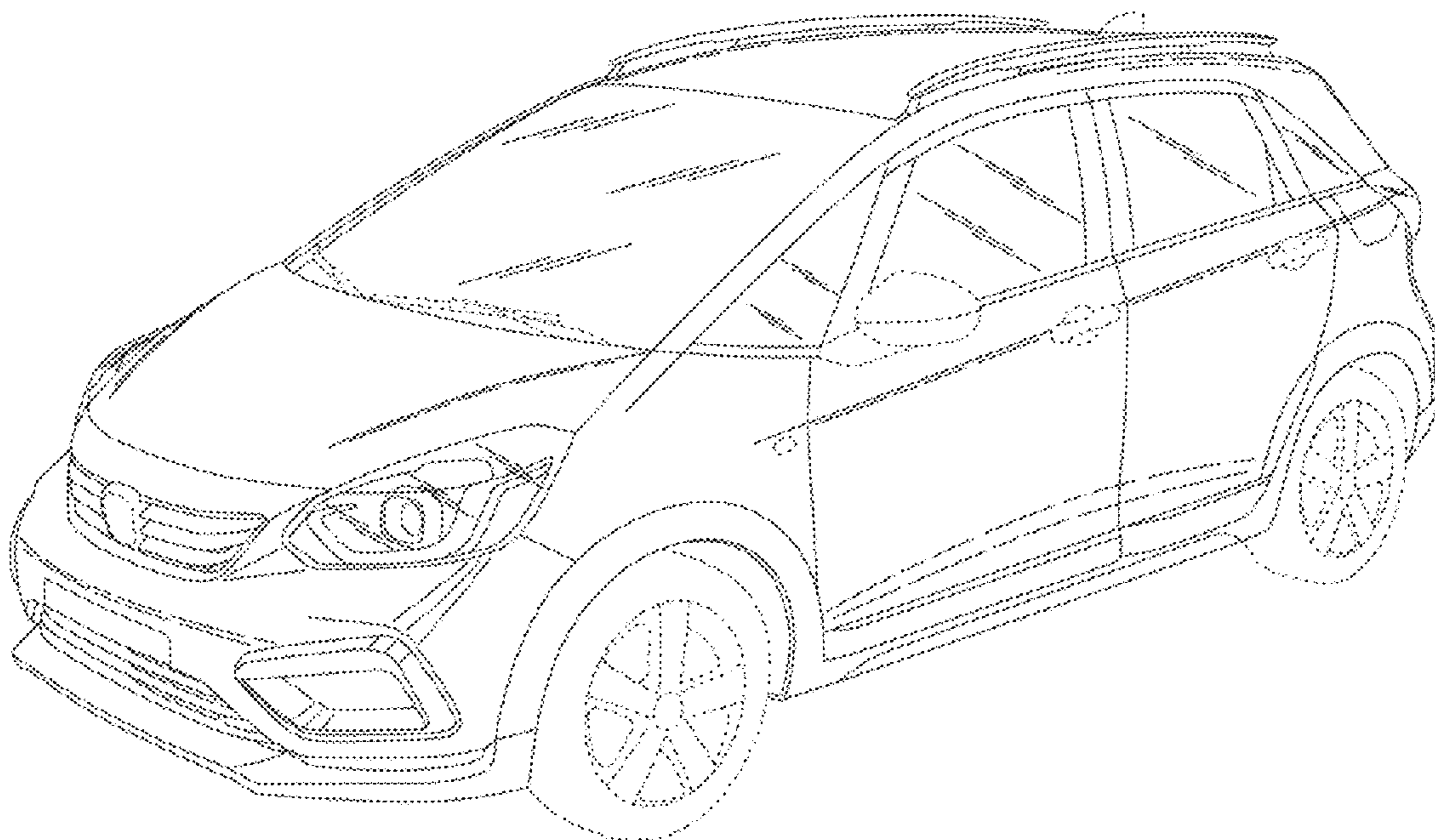
(57) **CLAIM**

The ornamental design for an automobile body, as shown and described.

DESCRIPTION

FIG. 1 is a right side elevational view of an automobile body showing my new design;
FIG. 2 is a right side elevational view thereof;
FIG. 3 is a front elevational view thereof;
FIG. 4 is a rear elevational view thereof;
FIG. 5 is a top plan view thereof;
FIG. 6 is a front and right side perspective view thereof; and,
FIG. 7 is a rear and right side perspective view thereof.
The portions of the automobile body shown in broken lines throughout the drawing views are for environmental and illustrative purposes and form no part of the claimed design.

1 Claim, 7 Drawing Sheets



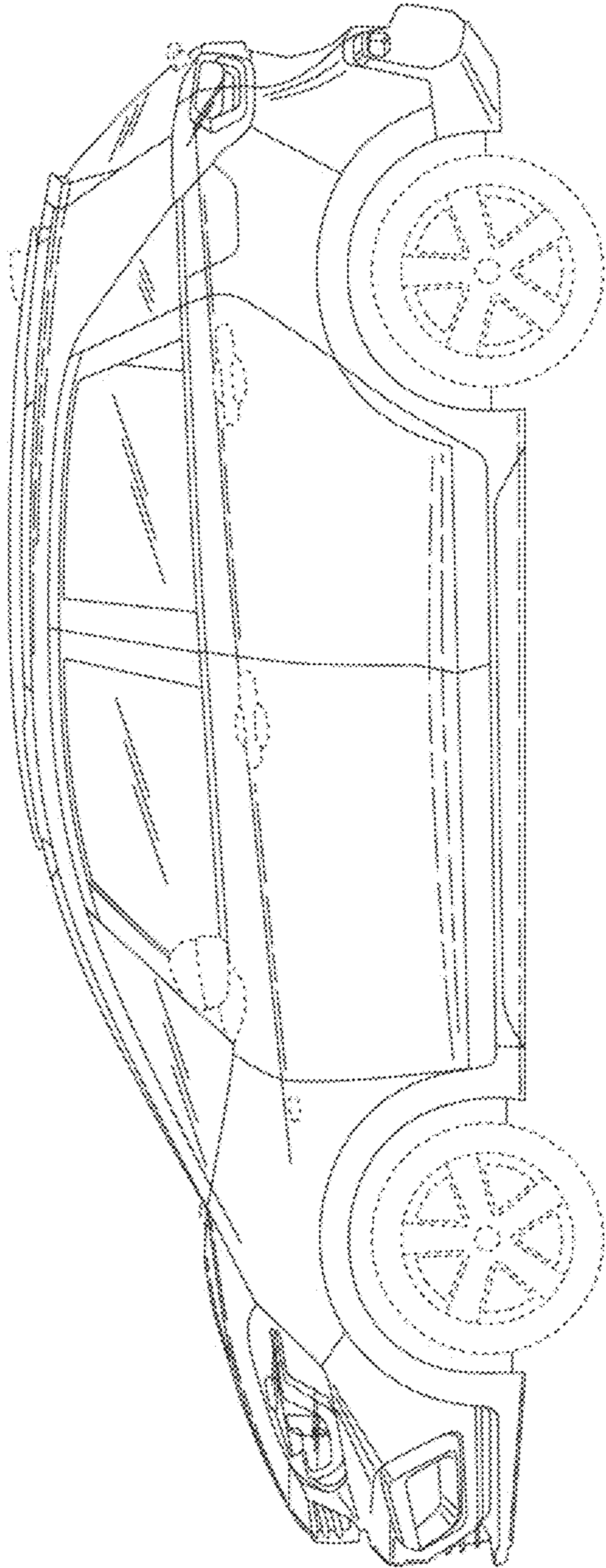


FIG.1

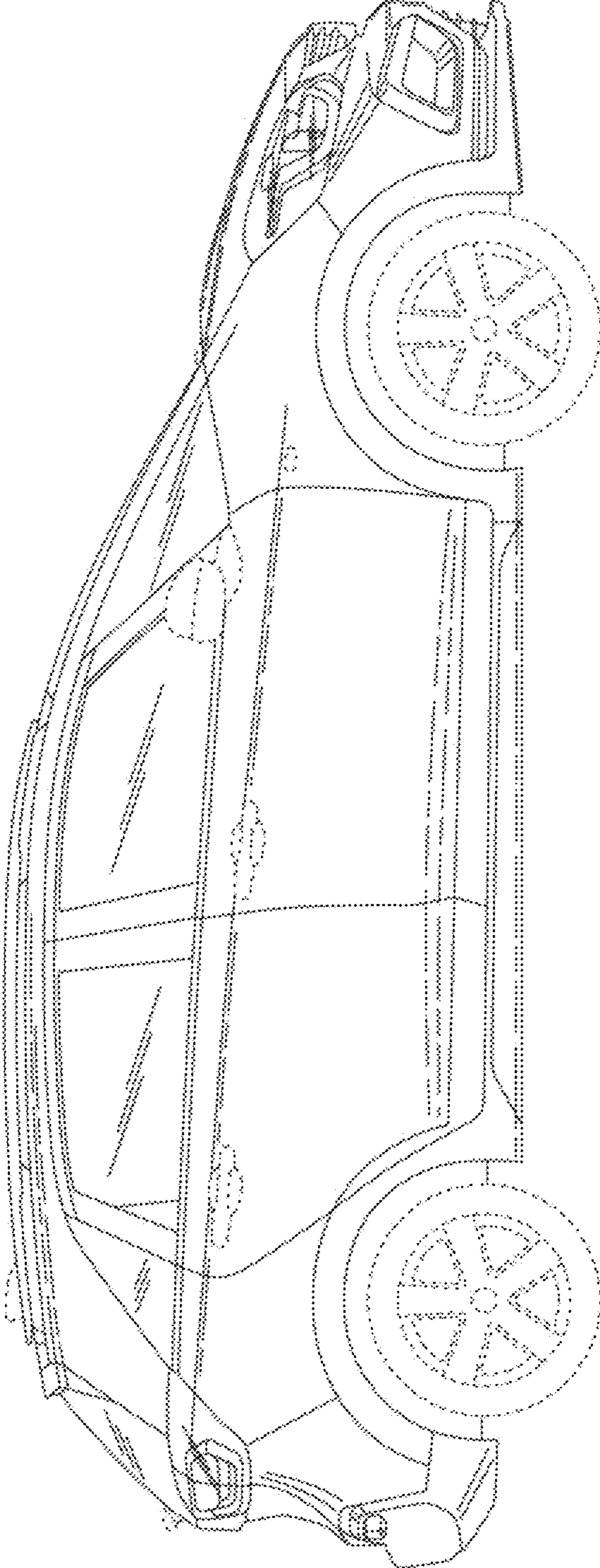


FIG.2

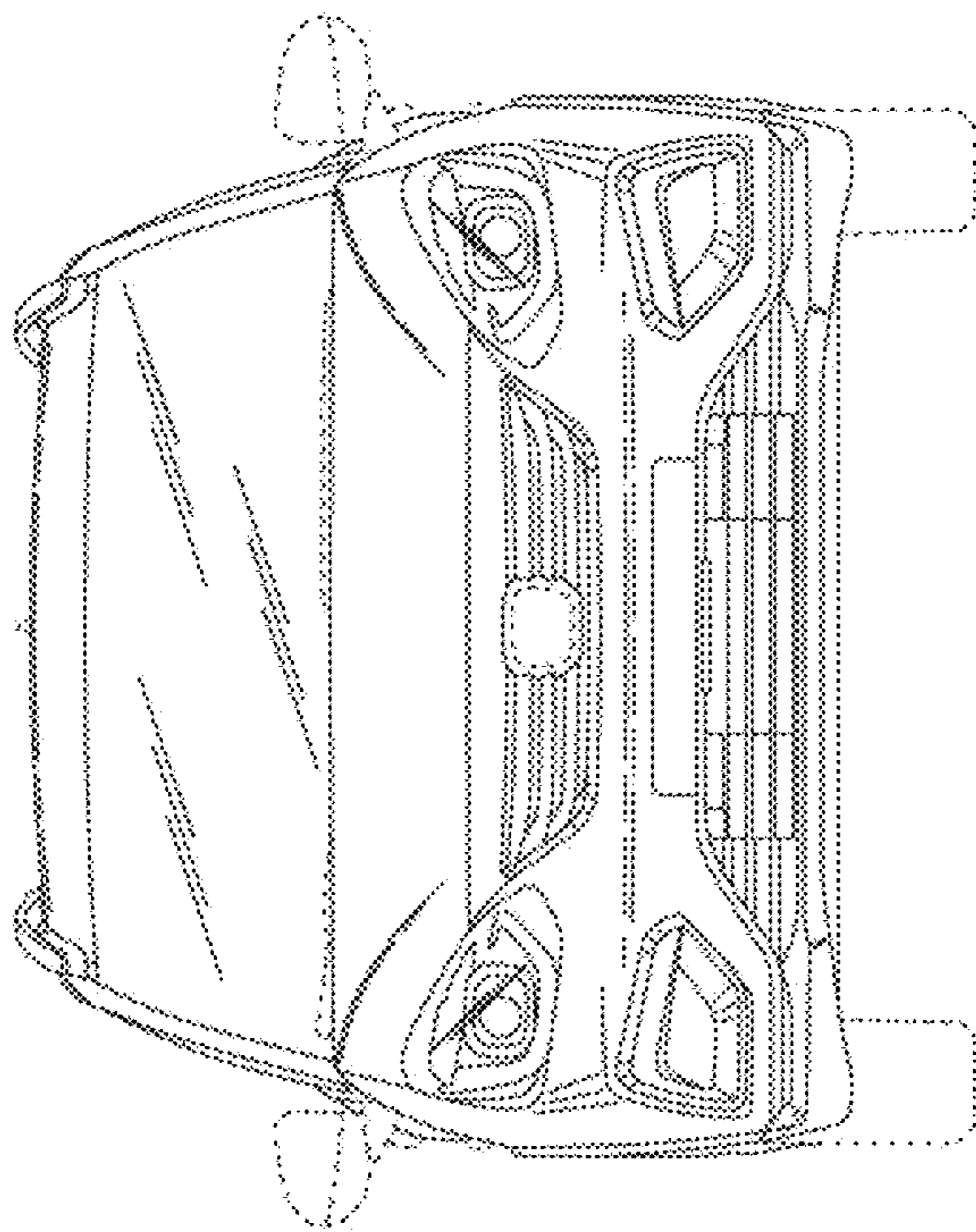


FIG.3

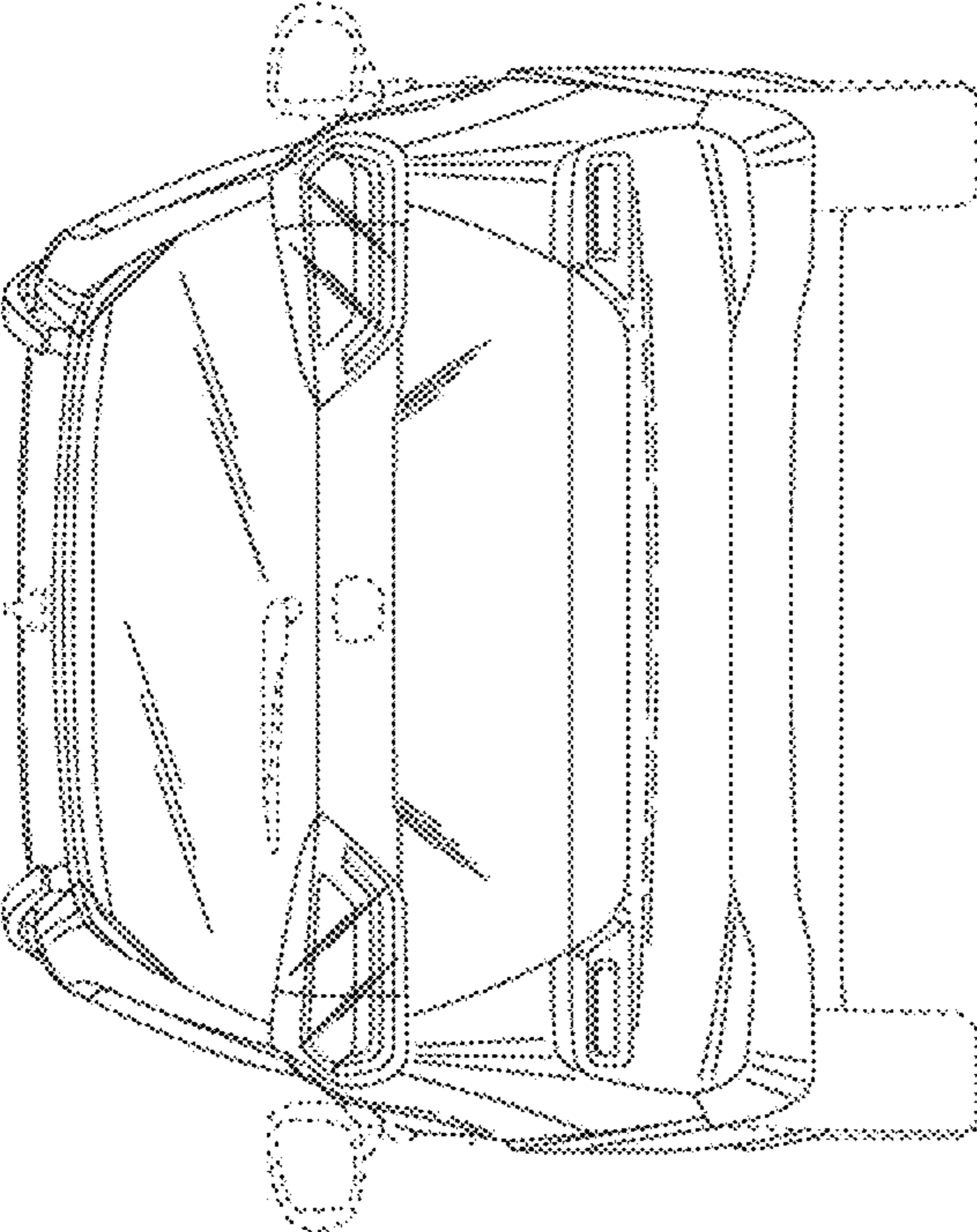


FIG.4

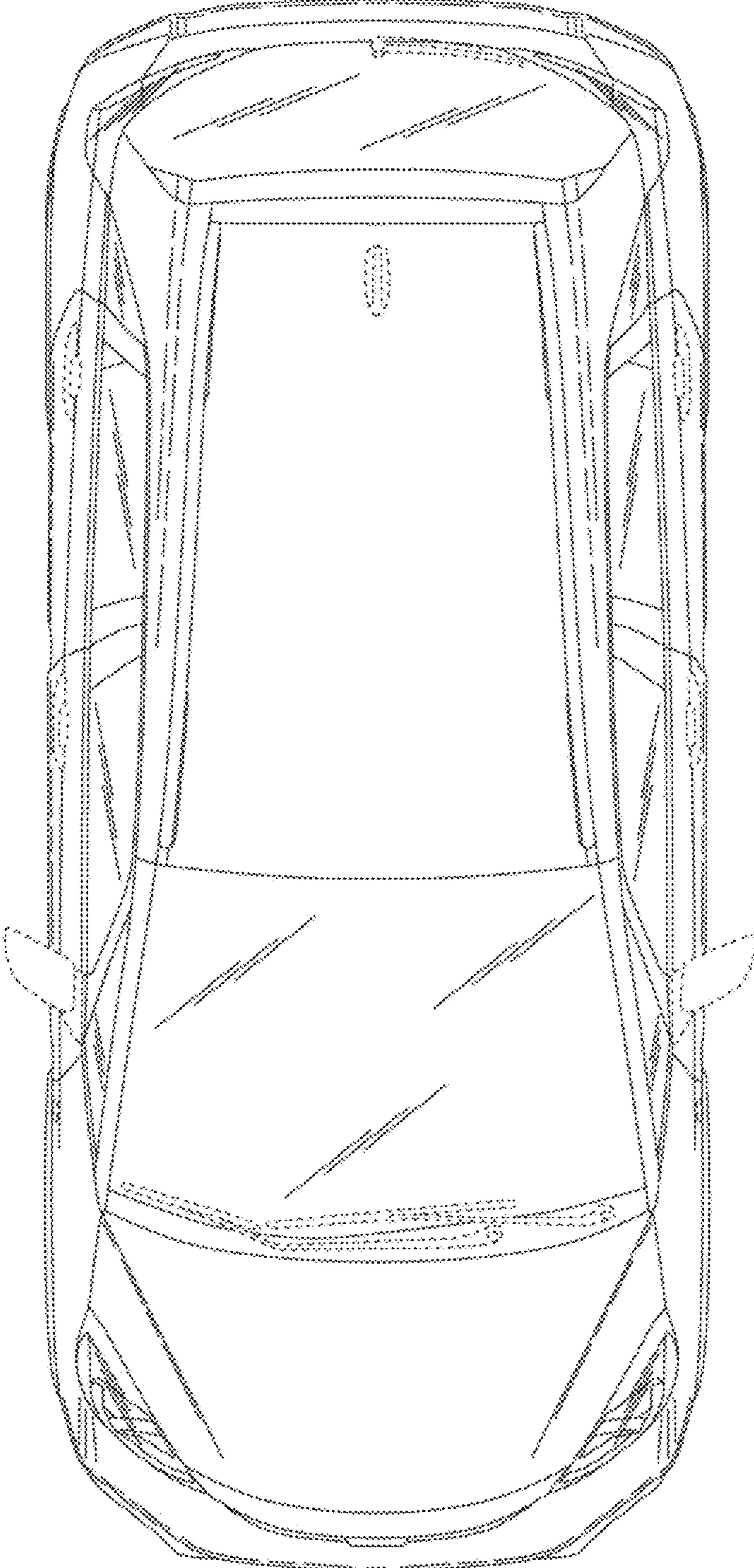


FIG.5

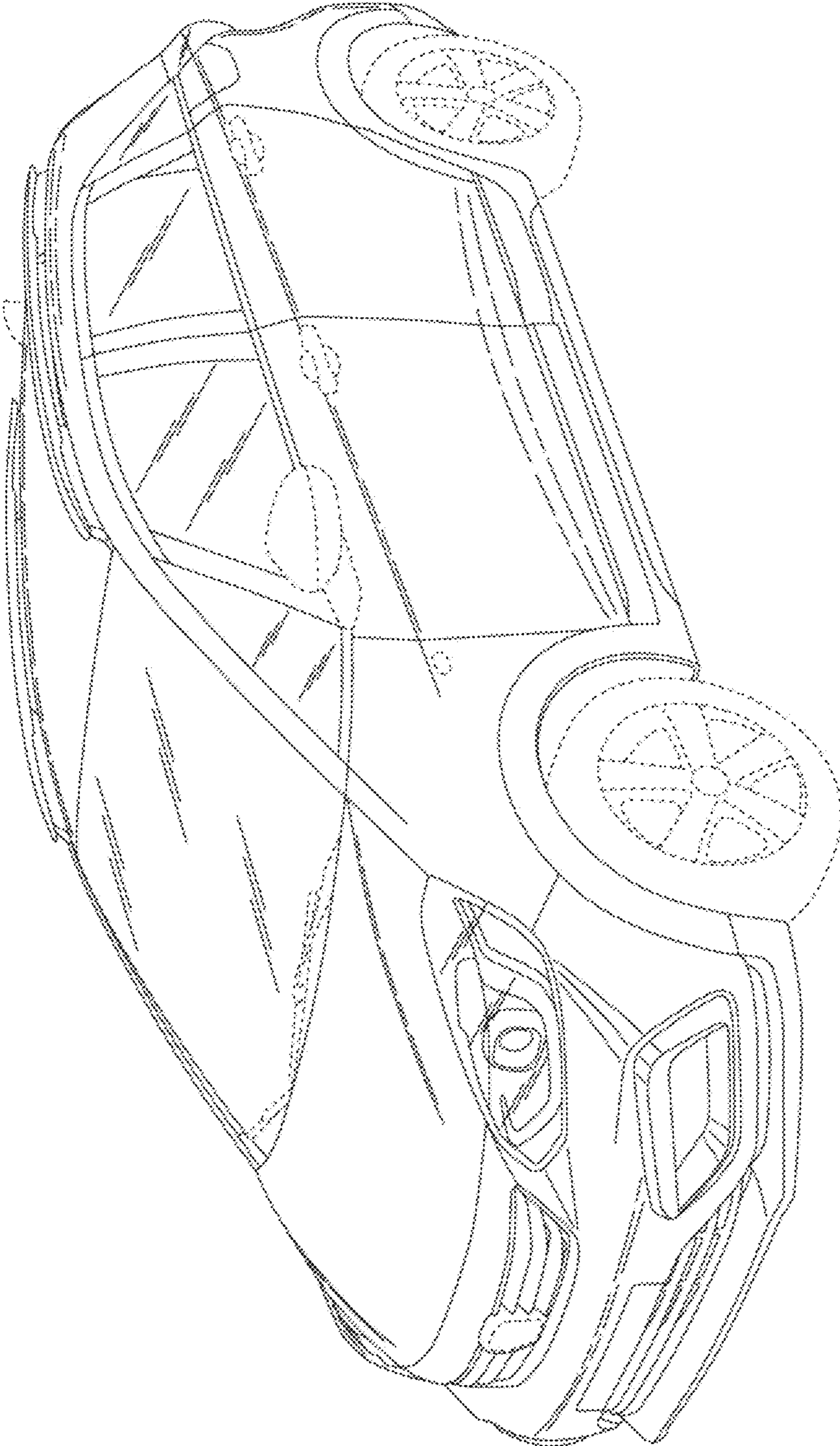


FIG.6

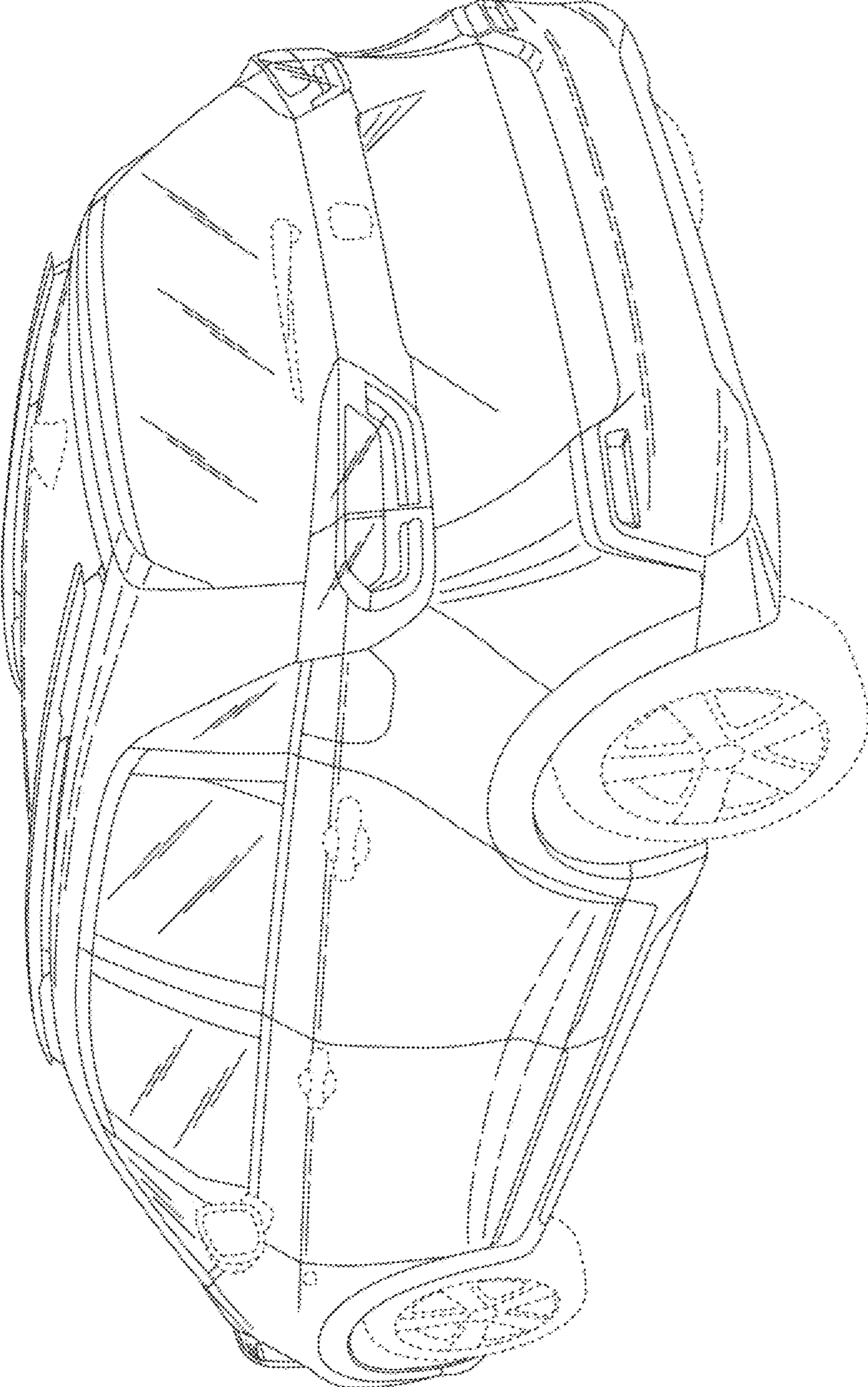


FIG.7