



US00D932937S

(12) **United States Design Patent**
Tabor et al.

(10) **Patent No.: US D932,937 S**
(45) **Date of Patent: ** Oct. 12, 2021**

- (54) **TRI-GLIDE SLIDE**
- (71) Applicant: **Levy's Leathers Ltd.**, Antigonish (CA)
- (72) Inventors: **Jennifer Tabor**, Buchanan, MI (US);
Rob Garofala, Lutz, FL (US); **Kyle Narkiewicz**, Tampa, FL (US)
- (73) Assignee: **Levy's Leathers Ltd.**, Antigonish (CA)
- (**) Term: **15 Years**
- (21) Appl. No.: **29/698,262**
- (22) Filed: **Jul. 16, 2019**
- (51) **LOC (13) Cl.** **02-07**
- (52) **U.S. Cl.**
USPC **D11/218**
- (58) **Field of Classification Search**
USPC D11/200, 202, 218; D8/349, 356, 383;
D22/108
CPC A44B 11/00; A44B 11/02; A44B 11/04;
A44B 11/006; F41C 23/02; F41C 33/002
See application file for complete search history.

(56) **References Cited**

U.S. PATENT DOCUMENTS

- 703,584 A * 7/1902 Hodges A44B 11/006
24/164
- D284,521 S * 7/1986 Forrest D11/218
- D631,787 S * 2/2011 Grimm D11/218
- D704,095 S * 5/2014 Kowalewski D11/200
- D822,537 S * 7/2018 Smuin D11/218
- 10,545,007 B2 * 1/2020 Lance F41C 23/02
- D885,254 S * 5/2020 Jiang D11/218

- 2015/0135483 A1 * 5/2015 Grimm A44B 11/266
24/163 R
- 2020/0149842 A1 * 5/2020 Marshall F41C 33/002
- 2020/0352285 A1 * 11/2020 Wang A44B 11/24

OTHER PUBLICATIONS

Review: Spiritus Systems SIERRATAC Padded Sling, Nov. 20, 2020, [online], [site visited Jun. 1, 2021]. Retrieved from url: <https://thereptilehouseblog.com/2020/11/20/review-spiritus-systems-sierratac-padded-sling/> (Year: 2020).*

* cited by examiner

Primary Examiner — Wendy L Arminio

Assistant Examiner — Tracey J Bell

(74) *Attorney, Agent, or Firm* — Taft Stettinius & Hollister LLP; Derek B. Lavender

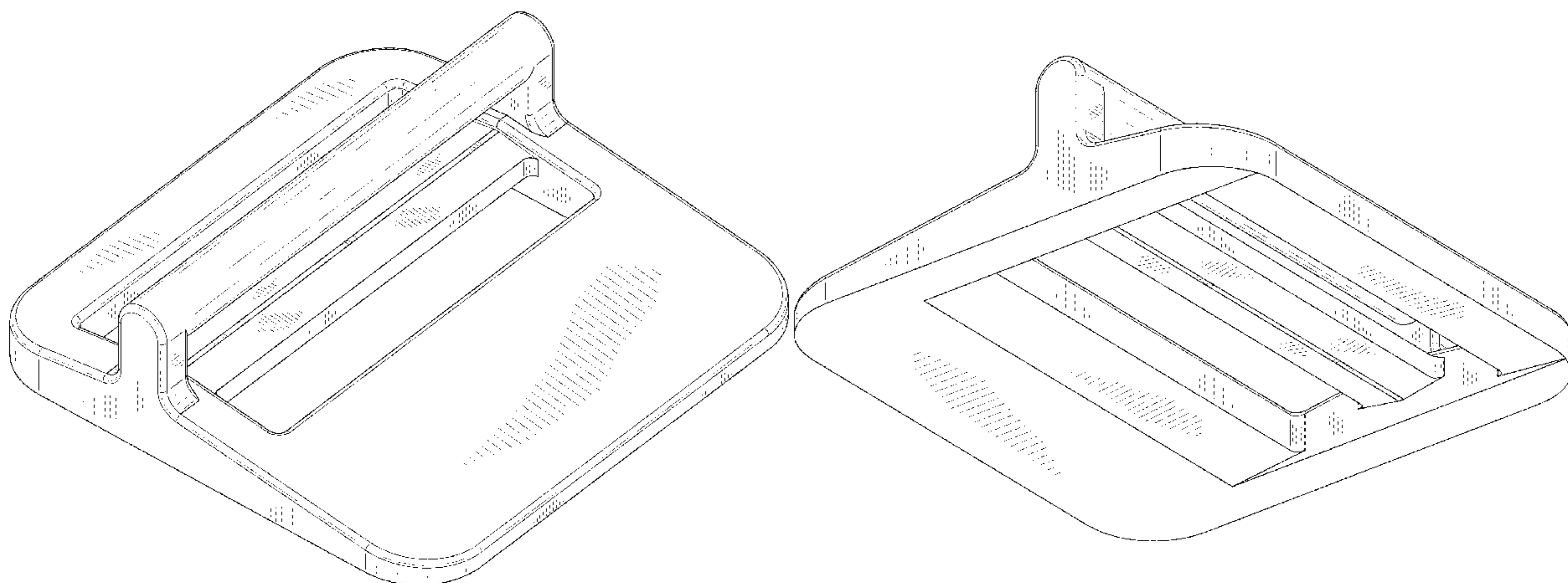
(57) **CLAIM**

The ornamental design for a tri-glide slide, as shown and described.

DESCRIPTION

FIG. 1 is a top perspective view of the tri-glide slide showing our new design;
 FIG. 2 is a bottom perspective view of the tri-glide slide thereof;
 FIG. 3 is a top plan view thereof;
 FIG. 4 is a bottom plan view thereof;
 FIG. 5 is a side elevation view thereof, the opposite side being a mirror image;
 FIG. 6 is a front elevation view thereof; and,
 FIG. 7 is a back elevation view thereof.

1 Claim, 6 Drawing Sheets



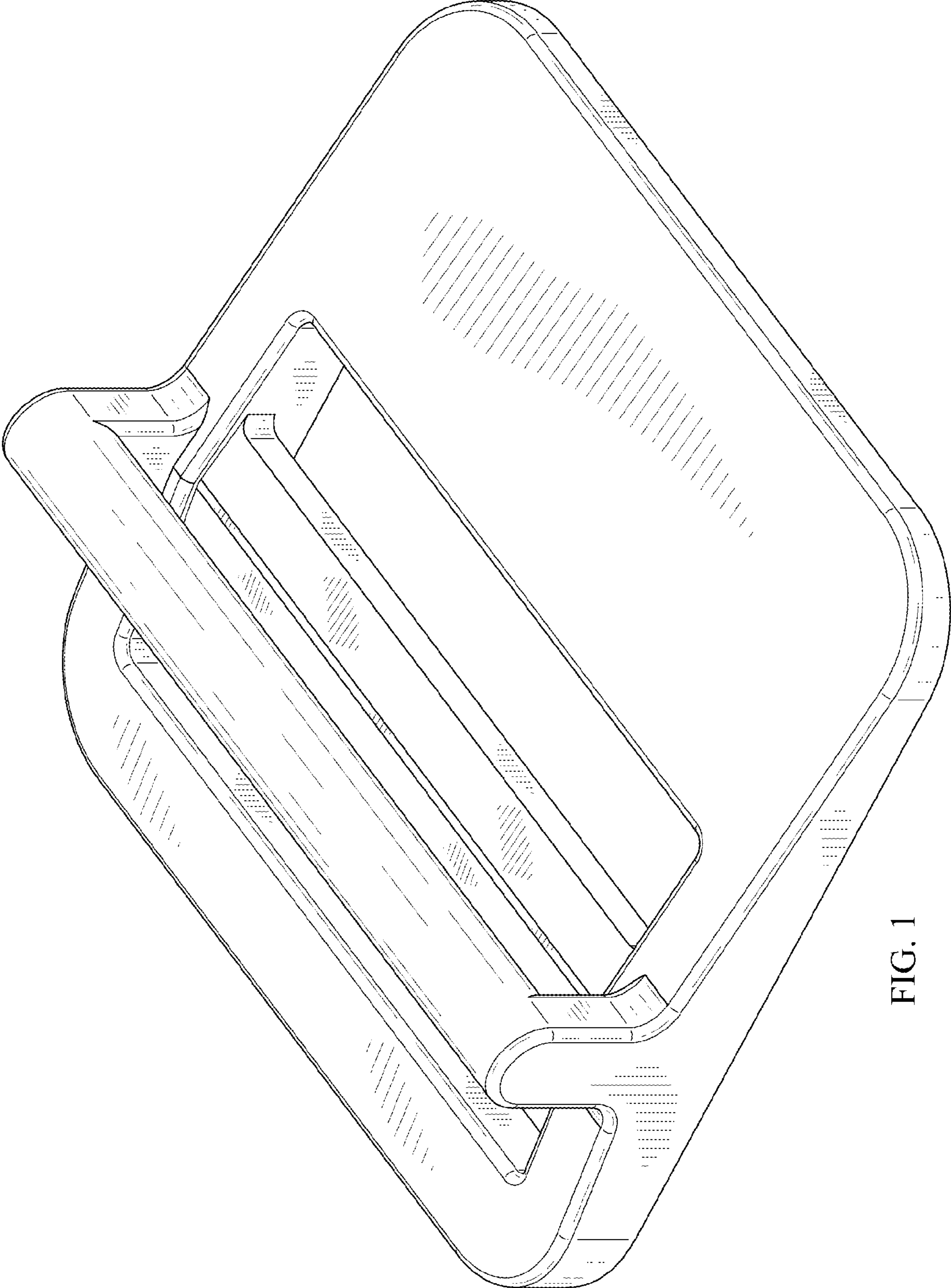


FIG. 1

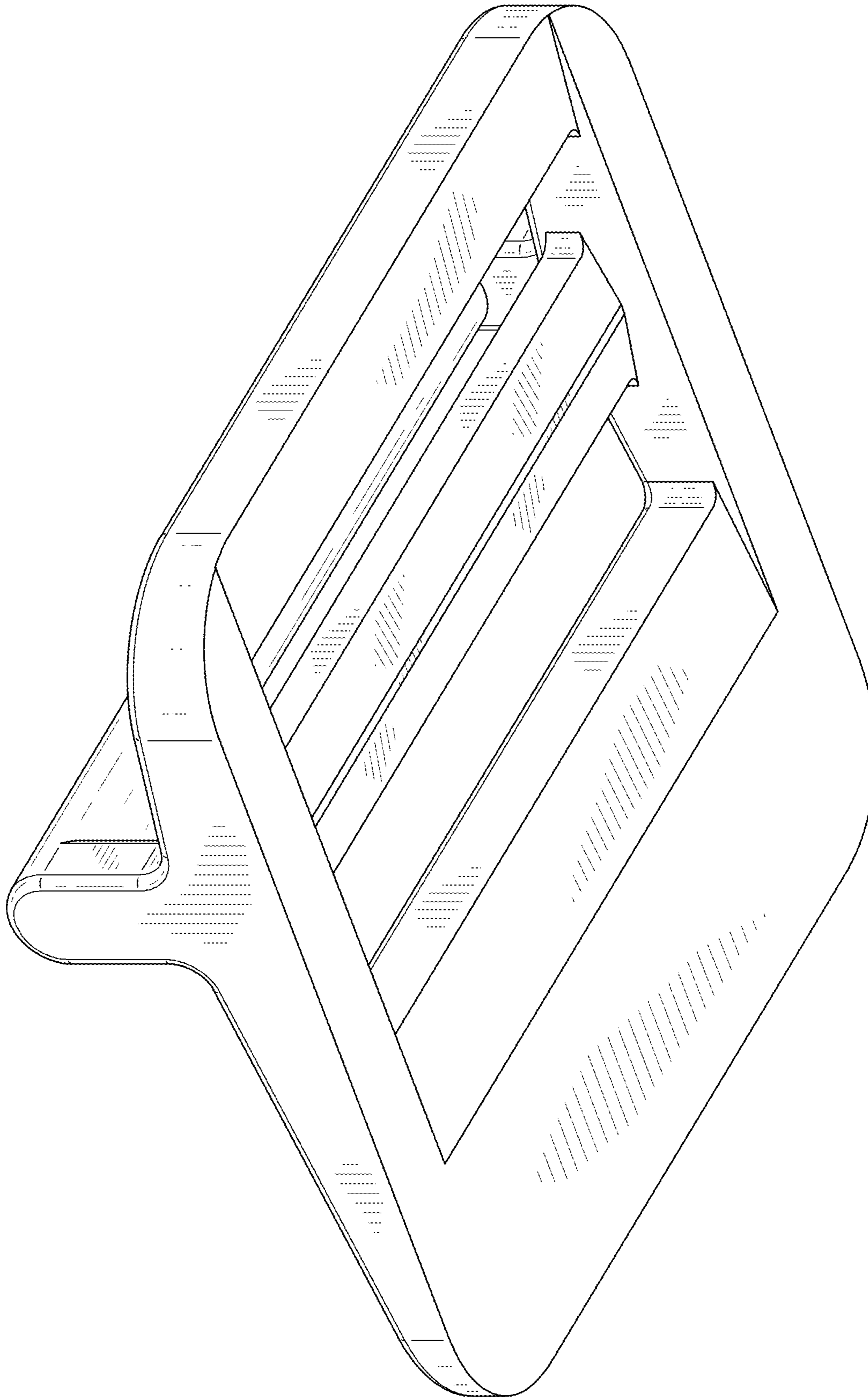


FIG. 2

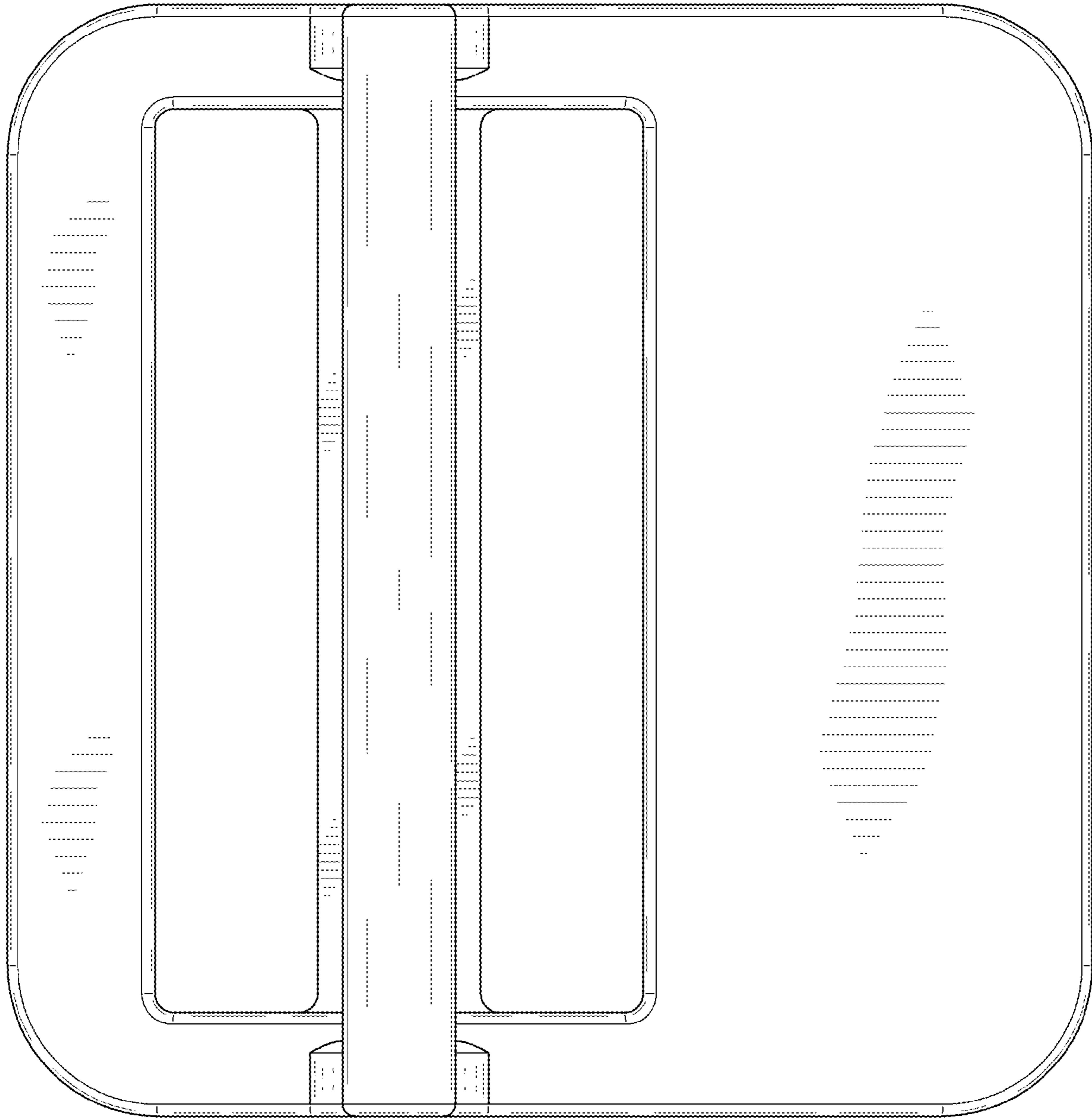


FIG. 3

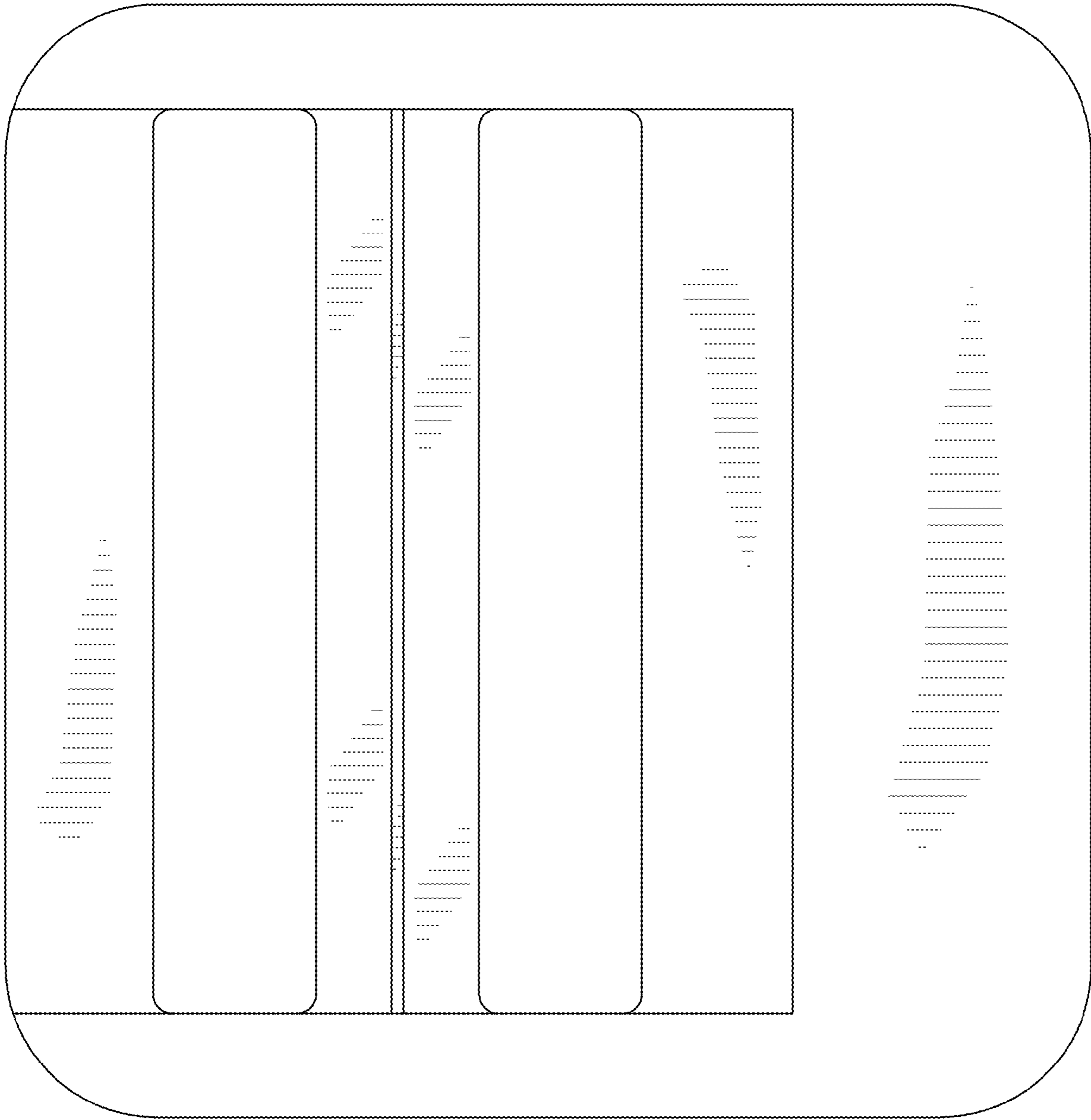


FIG. 4

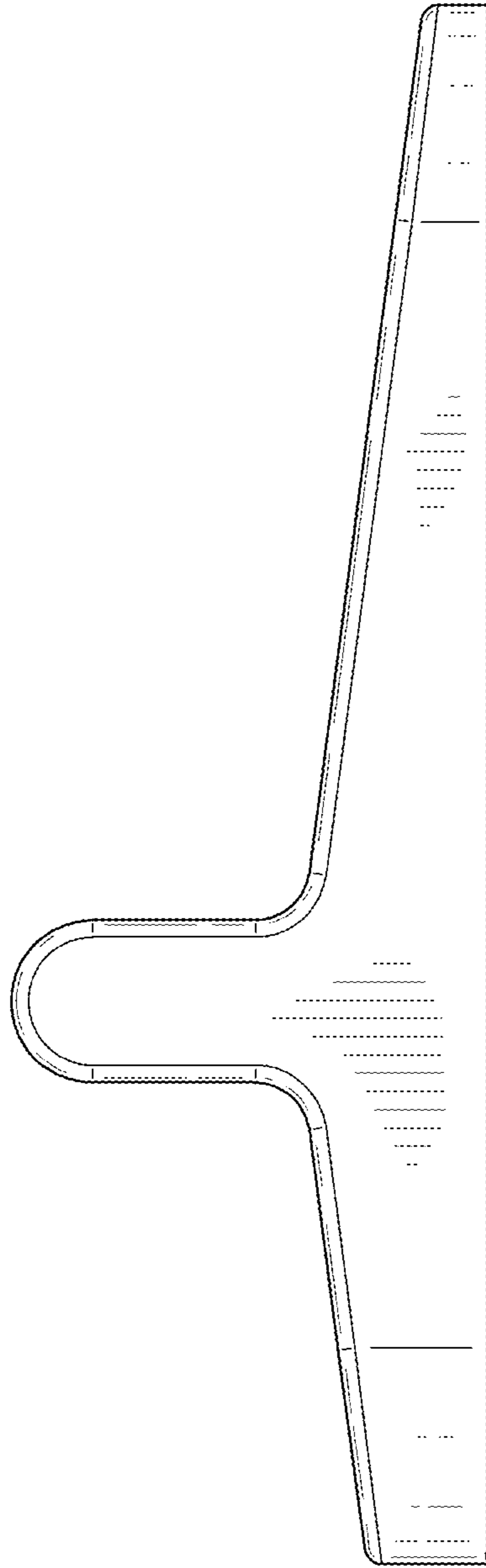


FIG. 5

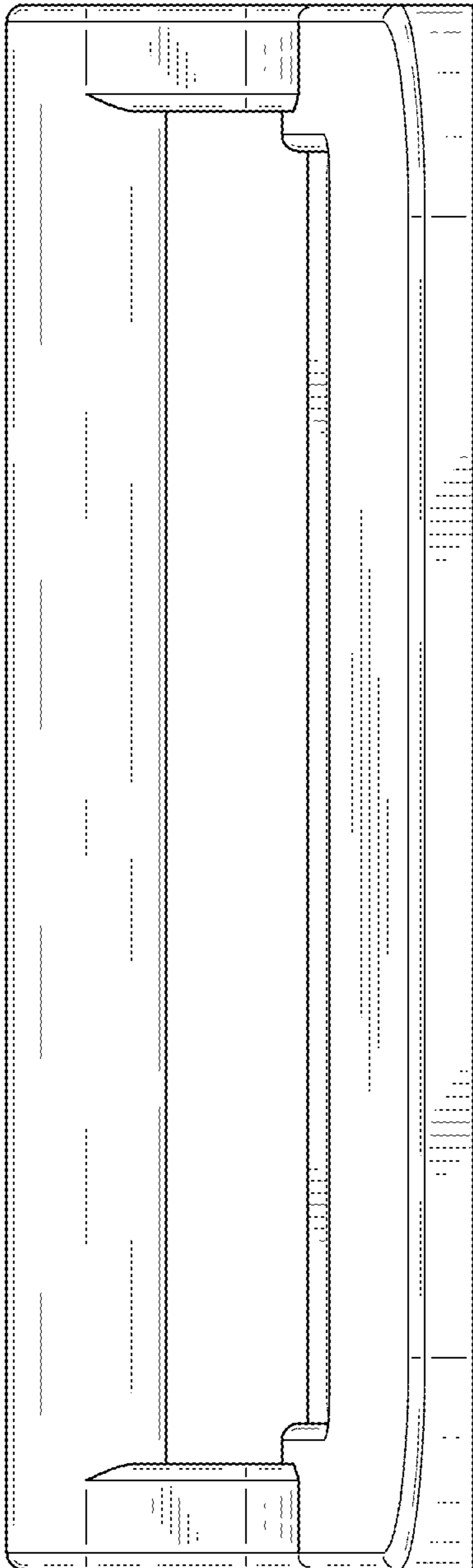


FIG. 6

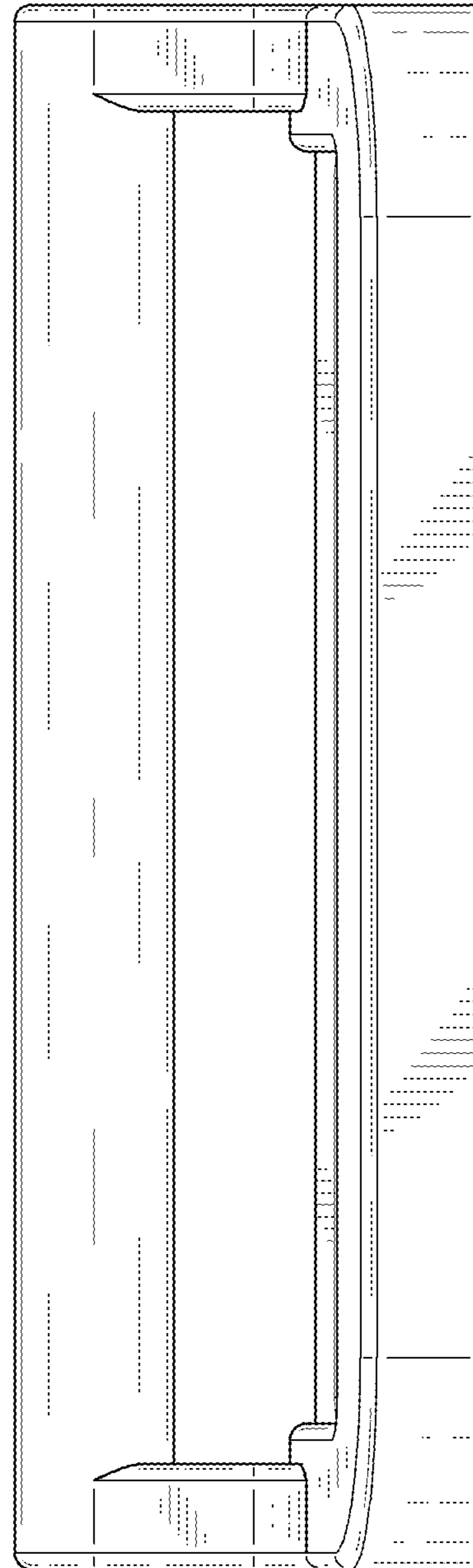


FIG. 7