

US00D932934S

(12) **United States Design Patent**
Dobashi

(10) **Patent No.:** **US D932,934 S**
(45) **Date of Patent:** **** Oct. 12, 2021**

(54) **JEWELRY CLASP**
(71) Applicant: **Crossfor Co., Ltd.**, Kofu (JP)
(72) Inventor: **Hidetaka Dobashi**, Kofu (JP)
(73) Assignee: **Crossfor Co., Ltd.**, Kofu (JP)
(**) Term: **15 Years**
(21) Appl. No.: **29/716,795**
(22) Filed: **Dec. 12, 2019**
(30) **Foreign Application Priority Data**
Sep. 17, 2019 (JP) 2019-020794
(51) **LOC (13) Cl.** **11-01**
(52) **U.S. Cl.**
USPC **D11/87**
(58) **Field of Classification Search**
USPC D11/1-29, 86-88
CPC .. A44C 5/00; A44C 5/002; A44C 5/14; A44C
5/18; A44C 5/185; A44C 5/20; A44C
5/2028; A44C 5/2014; A44C 5/209; A44B
99/00
See application file for complete search history.

(56) **References Cited**
U.S. PATENT DOCUMENTS
2,157,288 A * 5/1939 Gauss A44C 5/14
24/600.7
2,215,526 A * 9/1940 Kestenman A44C 5/2042
24/601.5

3,168,768 A * 2/1965 Bohlinger A44C 5/209
24/116 A
D240,849 S * 8/1976 Gauss D11/87
D295,505 S * 5/1988 Watts D11/87
D386,442 S * 11/1997 Anusavice D11/87
D394,022 S * 5/1998 Tanner D11/87
D500,244 S * 12/2004 Yoshiguchi D8/367
D637,513 S * 5/2011 Hoshino D11/87
D697,829 S * 1/2014 Kelleghan D11/87

* cited by examiner

Primary Examiner — Zenia I Bennett

(74) *Attorney, Agent, or Firm* — Maier & Maier, PLLC

(57) **CLAIM**

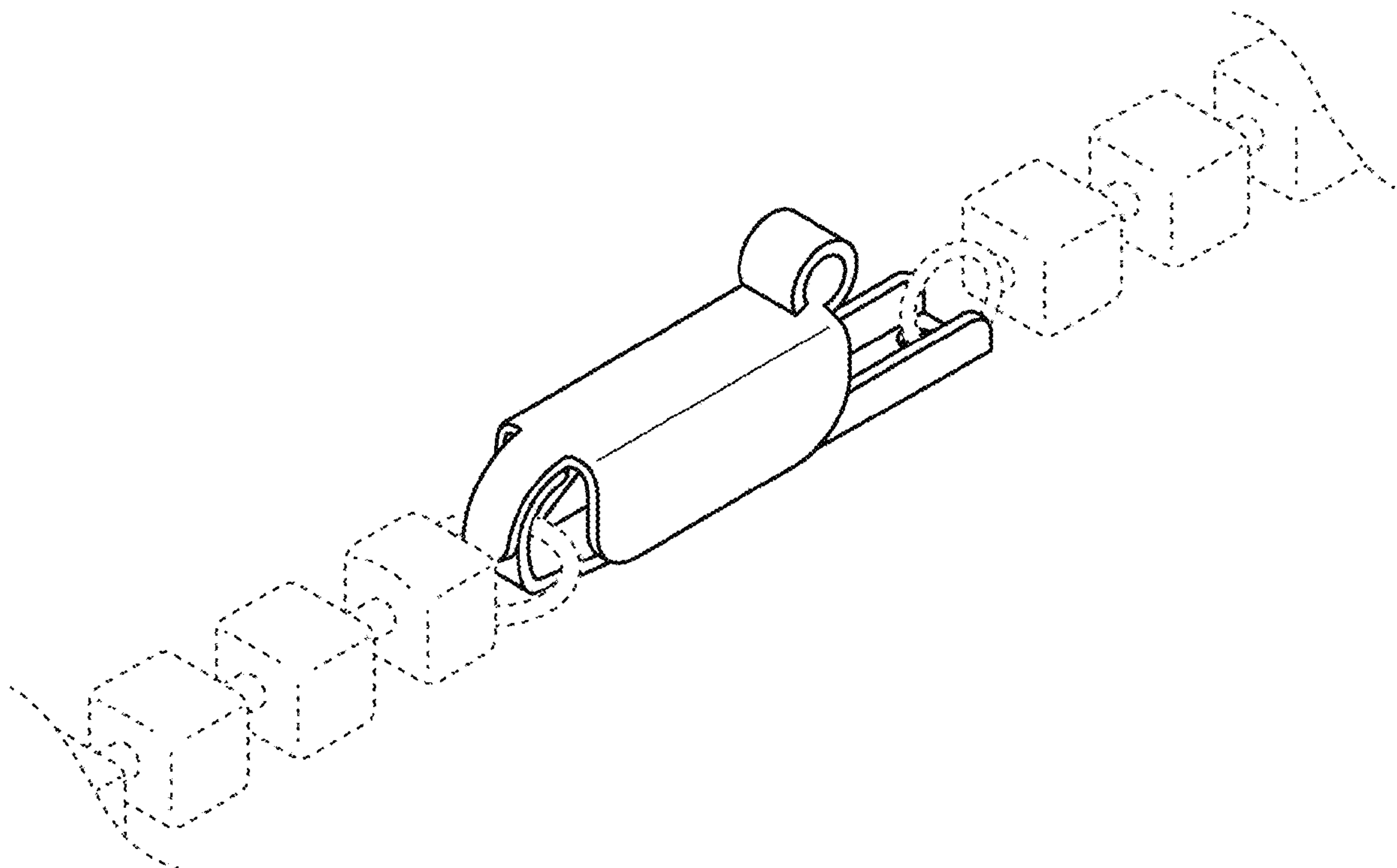
The ornamental design for a jewelry clasp, as shown and described.

DESCRIPTION

FIG. 1 is a front view of a jewelry clasp, showing my design;
FIG. 2 is a rear view thereof;
FIG. 3 is a right side view thereof;
FIG. 4 is a left side view thereof;
FIG. 5 is a top plan view thereof;
FIG. 6 is a bottom plan view thereof;
FIG. 7 is a perspective view thereof;
FIG. 8 is a perspective view thereof in an open condition;
FIG. 9 is a right side view thereof in an open condition; and,
FIG. 10 is a perspective view showing the state of use thereof.

The broken lines depicting the beaded strand, the loop and the loop attachment shown in FIG. 10 are for illustrative purposes and do not form part of the claimed design.

1 Claim, 10 Drawing Sheets



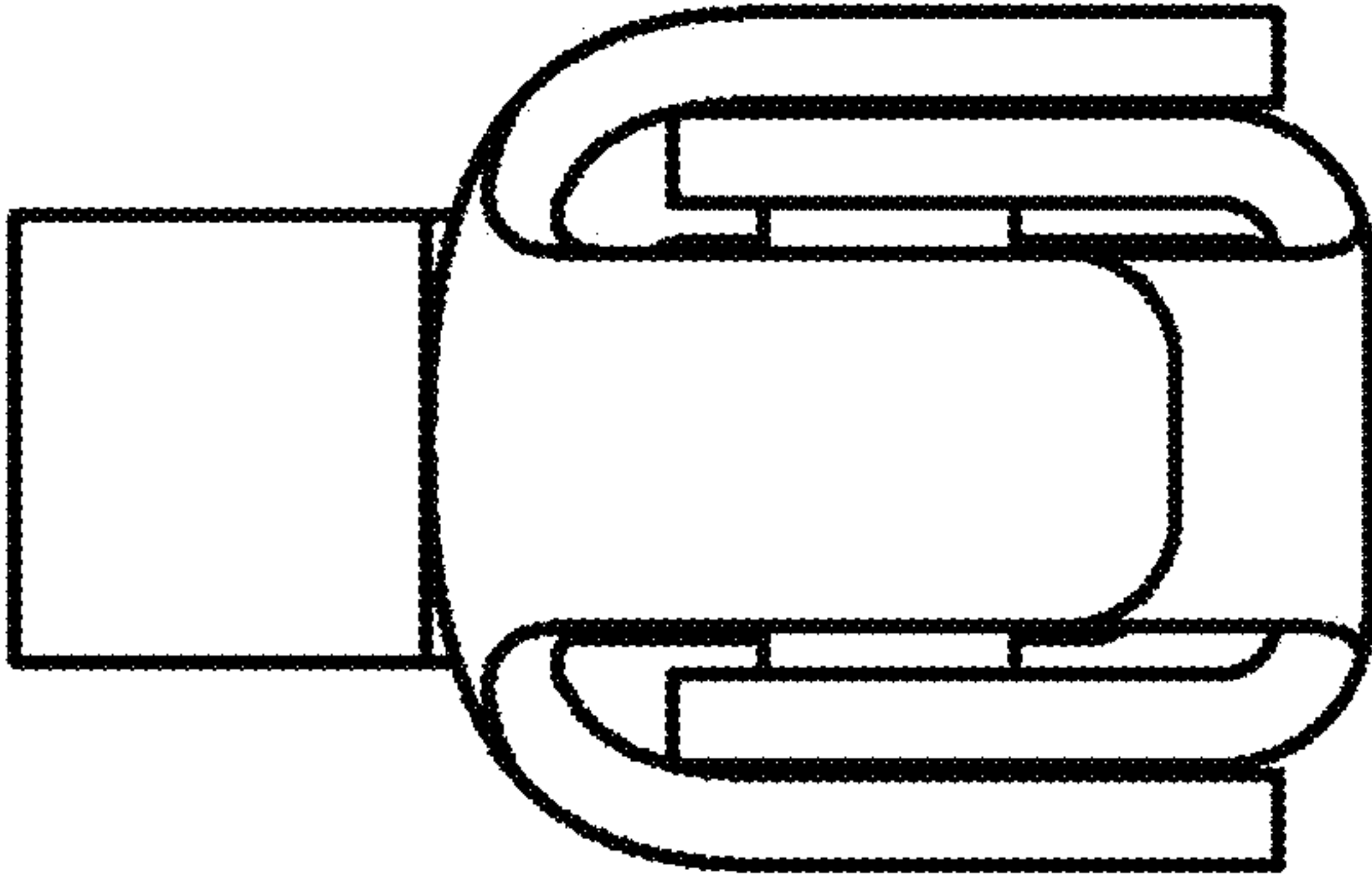


FIG. 1

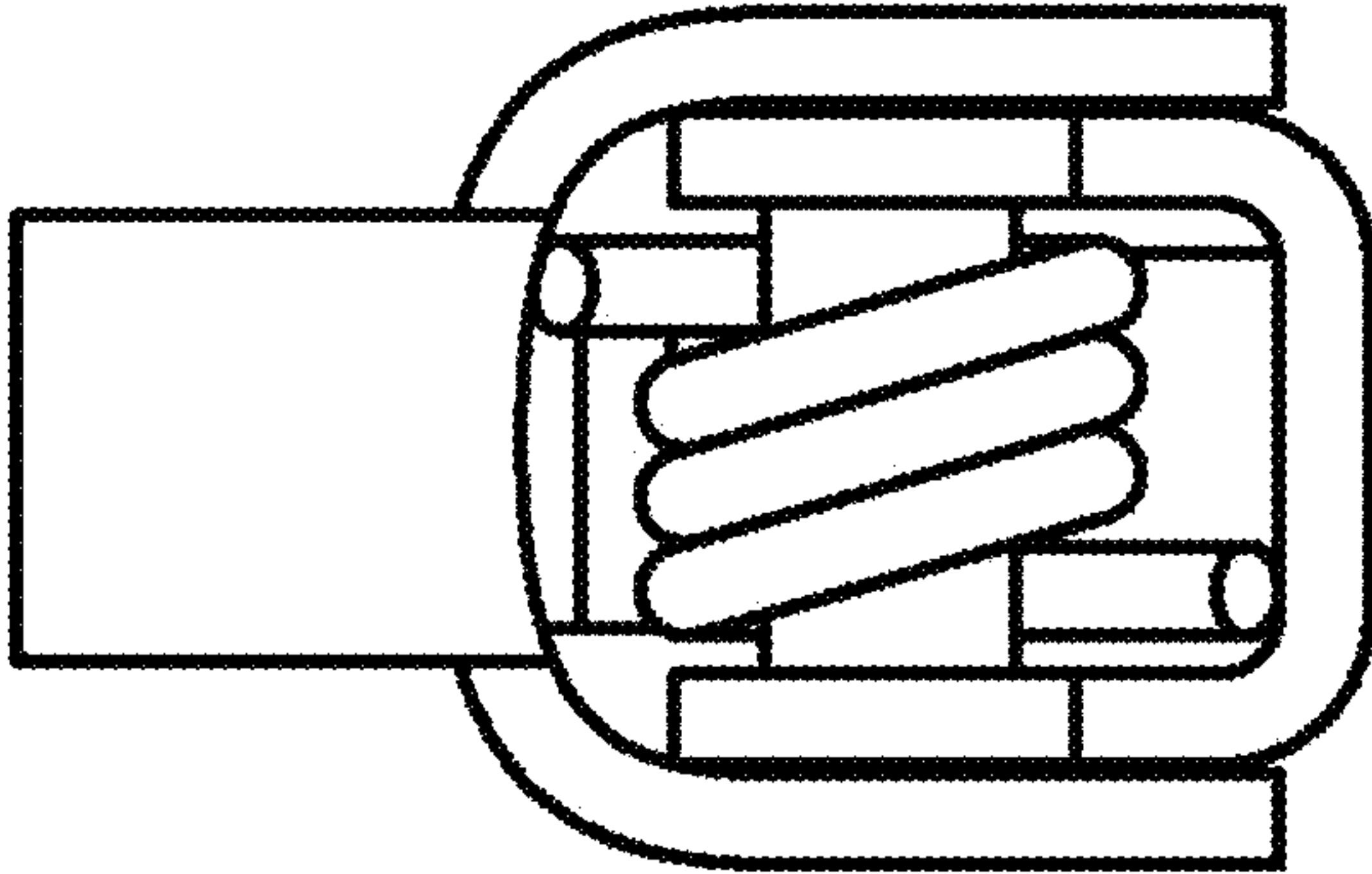


FIG. 2

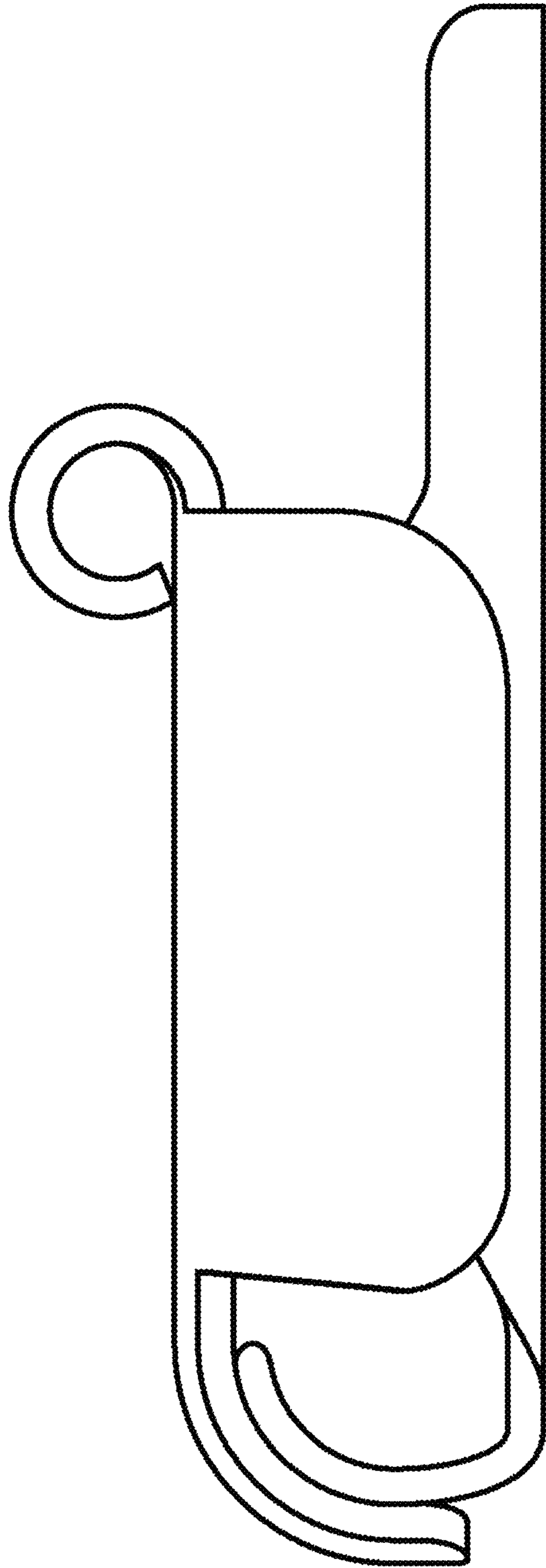


FIG. 3

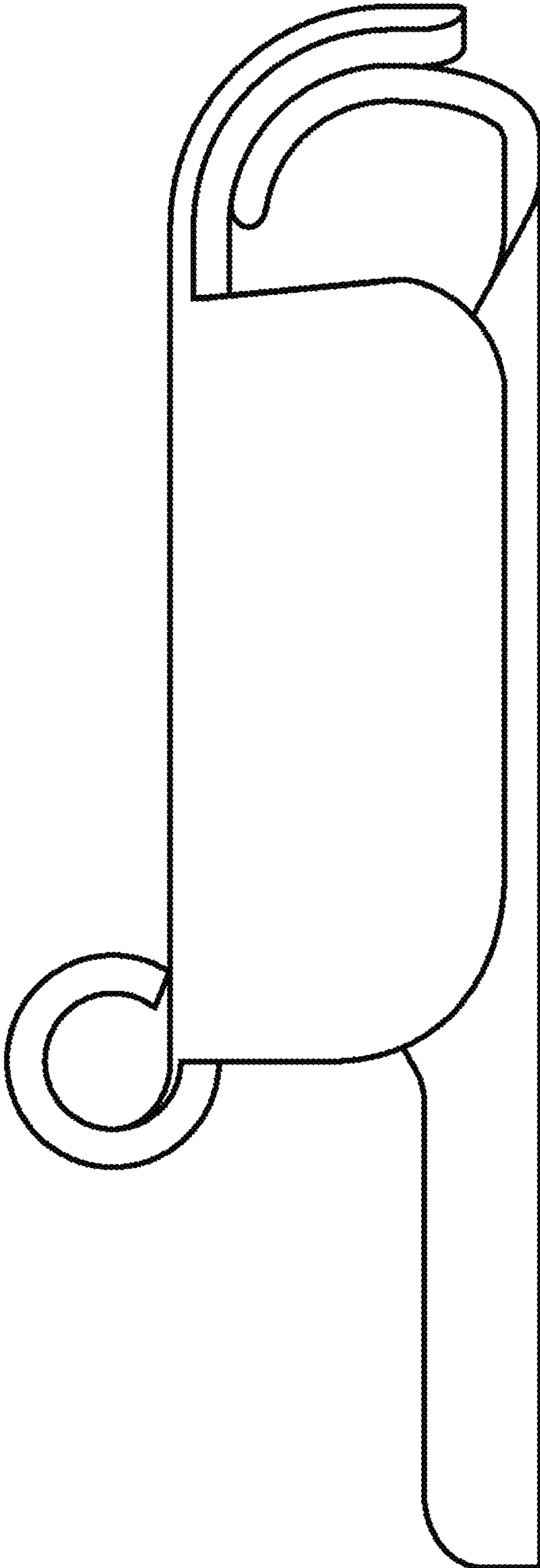


FIG. 4

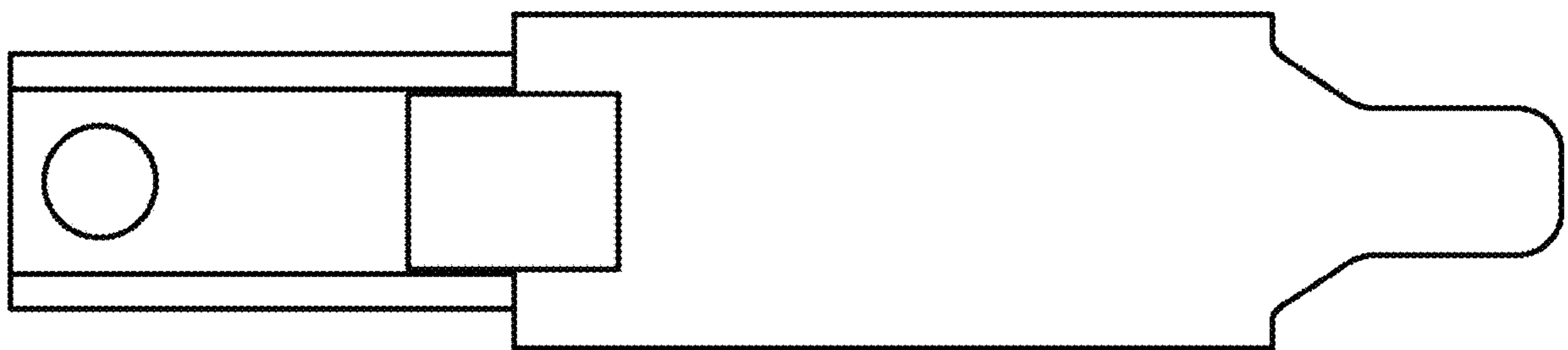


FIG. 5



FIG. 6

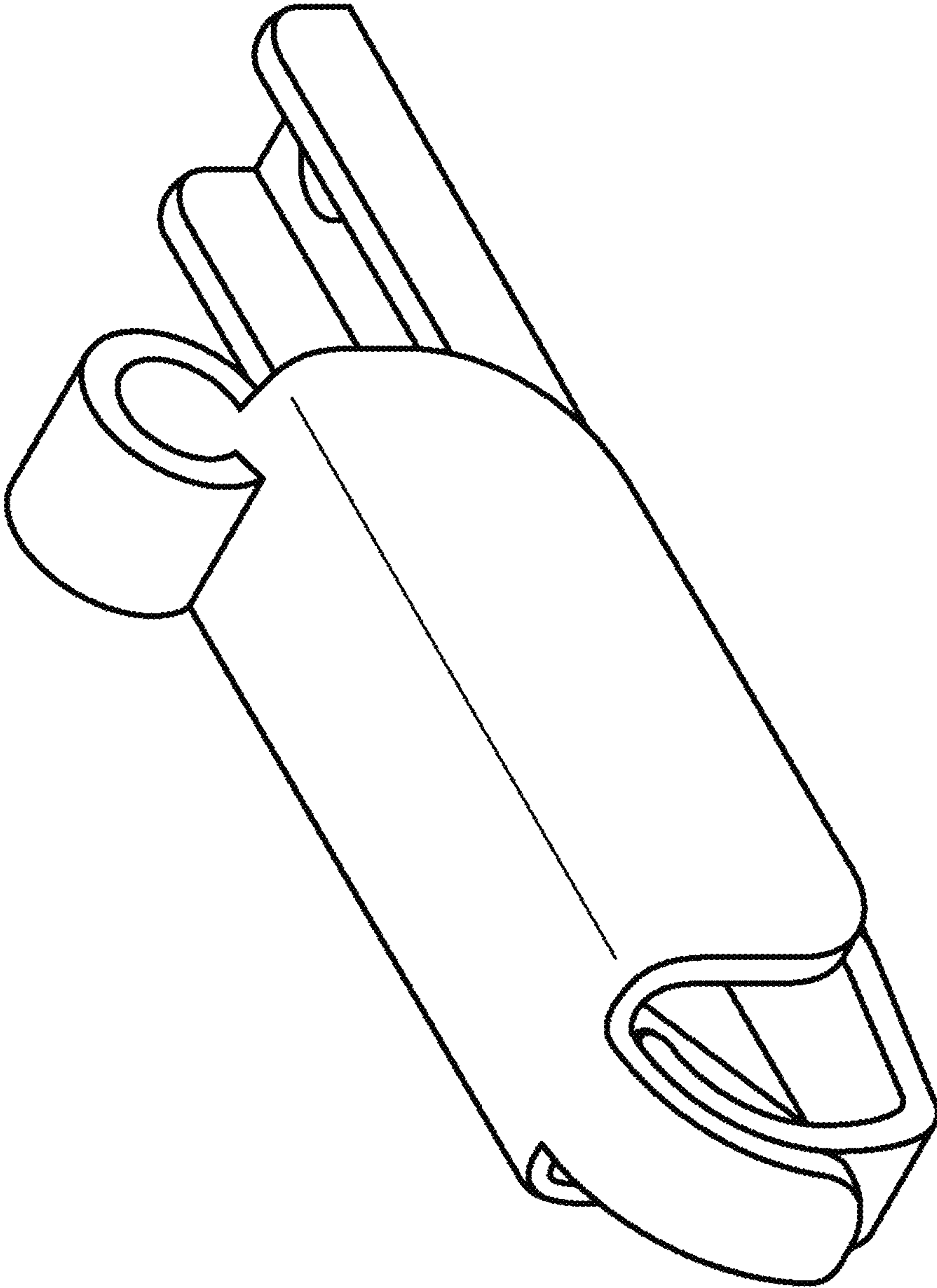


FIG. 7

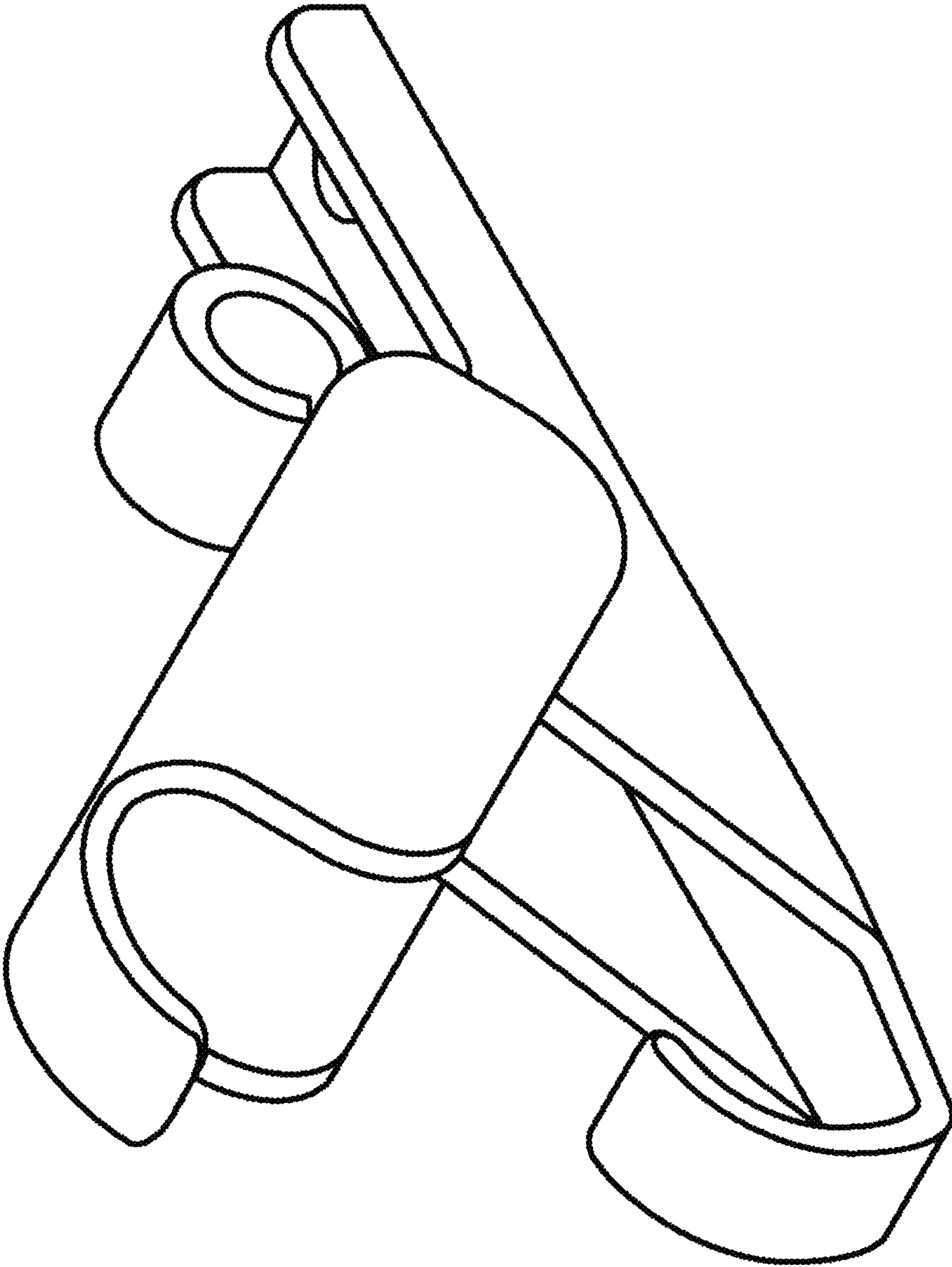


FIG. 8

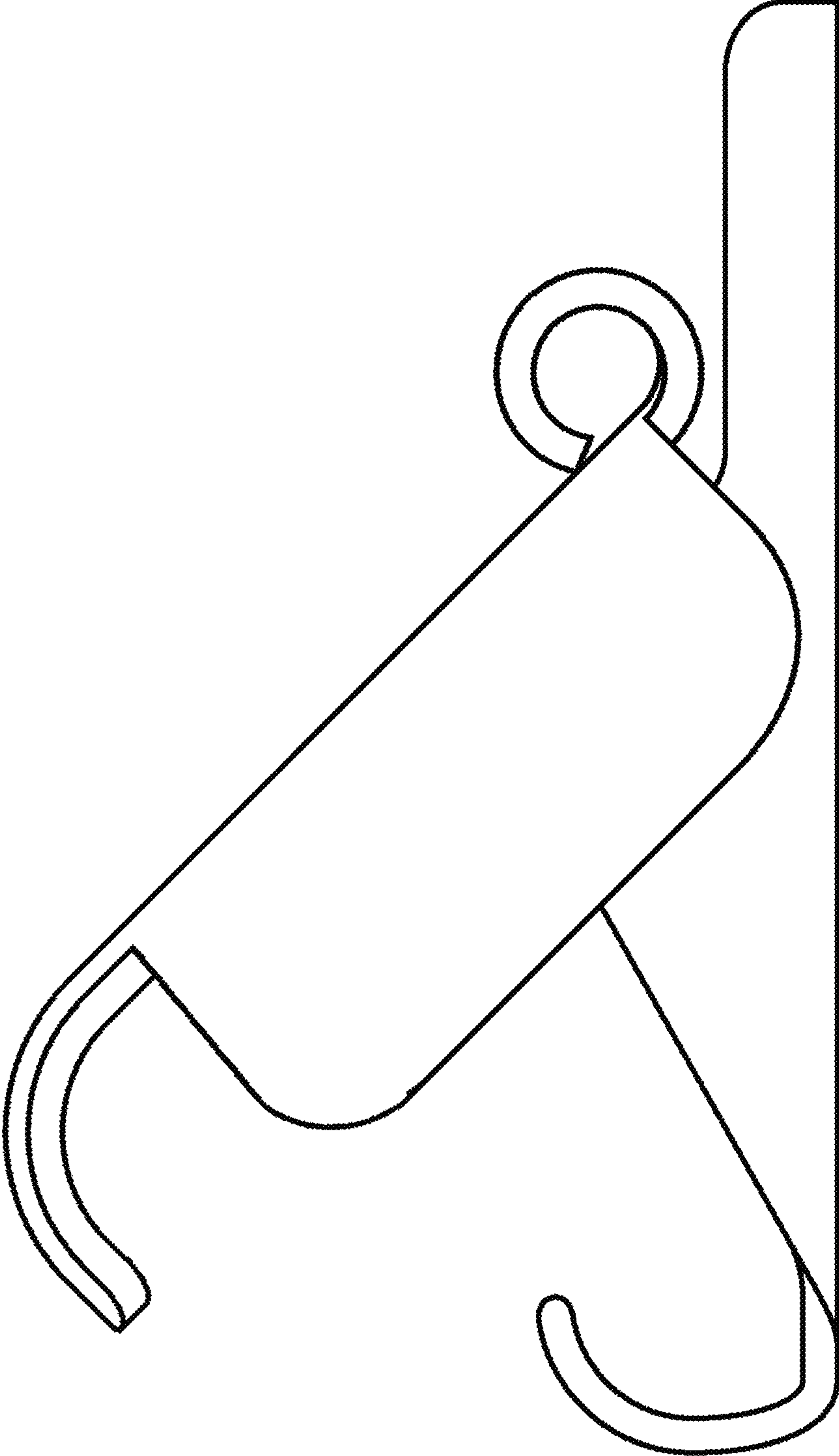


FIG. 9

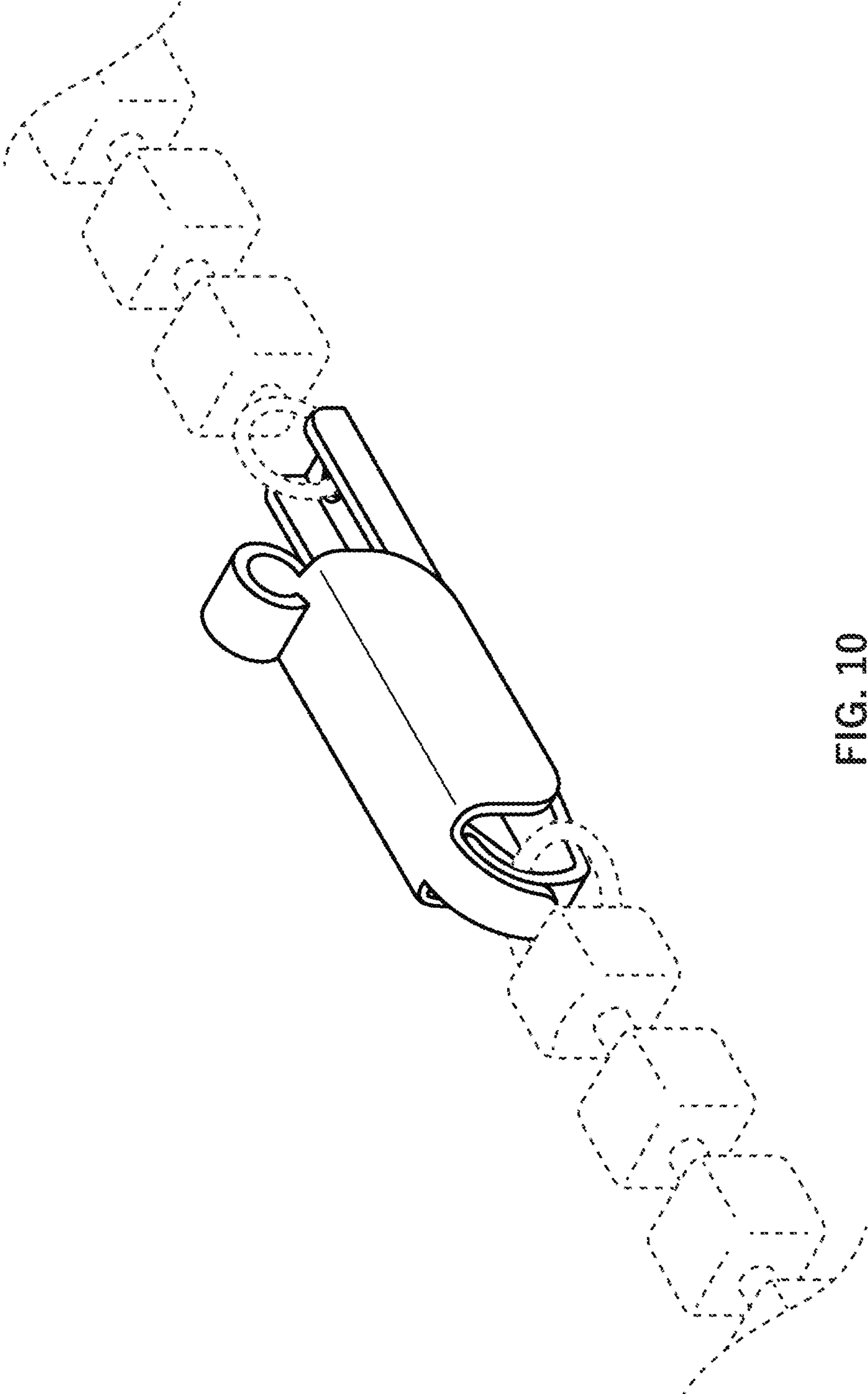


FIG. 10