



US00D932931S

(12) **United States Design Patent** (10) **Patent No.:** **US D932,931 S**
Li (45) **Date of Patent:** **** Oct. 12, 2021**

(54) **DOORBELL HOLDER**

(71) Applicant: **SHENZHEN HUA SHENG YUAN TRAIING CO., LTD**, Shenzhen (CN)

(72) Inventor: **Meimei Li**, Shenzhen (CN)

(73) Assignee: **SHENZHEN HUA SHENG YUAN TRAIING CO., LTD**, Shenzhen (CN)

(**) Term: **15 Years**

(21) Appl. No.: **29/765,426**

(22) Filed: **Jan. 8, 2021**

(51) **LOC (13) Cl.** **10-05**

(52) **U.S. Cl.**
USPC **D10/121**

(58) **Field of Classification Search**
USPC D10/121, 104.1, 106.1, 106.2
CPC H04L 12/4625
See application file for complete search history.

(56) **References Cited**

U.S. PATENT DOCUMENTS

D281,865 S *	12/1985	Abel	D10/106.1
D424,962 S *	5/2000	Dawn	D10/121
D579,810 S *	11/2008	Campman	D10/104.1
D825,639 S *	8/2018	Kan	D16/203
D860,025 S *	9/2019	Illouz	D10/106.2
10,615,995 B2 *	4/2020	Yu	H04L 12/4625
D887,884 S *	6/2020	Oliveros	D10/121
D925,384 S *	7/2021	England	D10/121

OTHER PUBLICATIONS

“KIMILAR Compatible with Ring Doorbell/Ring Doorbell 2 Angle Mount, 30 to 55 Degree Adjustable Angle Adapter Mounting Plate Bracket Wedge Corner Kit, White”, Retrieved Jan. 7, 2021]. Retrieved from Internet, <https://www.amazon.co.uk/KIMILAR-Adjustable-Doorbell-Replacement-Adjustment/dp/B078RGHKJQ/>.

“Cyclaire Video Doorbell Sun Shade, rain Hood That Improves Picture Quality and Protects The Smart doorbell (80mm)”, Retrieved Jan. 7, 2021]. Retrieved from Internet, <https://www.amazon.co.uk/Cyclaire-Doorbell-Improves-Protects-doorbell/dp/B08CMHS4J6/>.

* cited by examiner

Primary Examiner — George D. Kirschbaum

(57) **CLAIM**

The ornamental design for a doorbell holder, as shown and described.

DESCRIPTION

FIG. 1 is a perspective view of a doorbell holder showing my new design;

FIG. 2 is another perspective view thereof;

FIG. 3 is a front elevational view thereof;

FIG. 4 is a rear elevational view thereof;

FIG. 5 is a left side elevational view thereof;

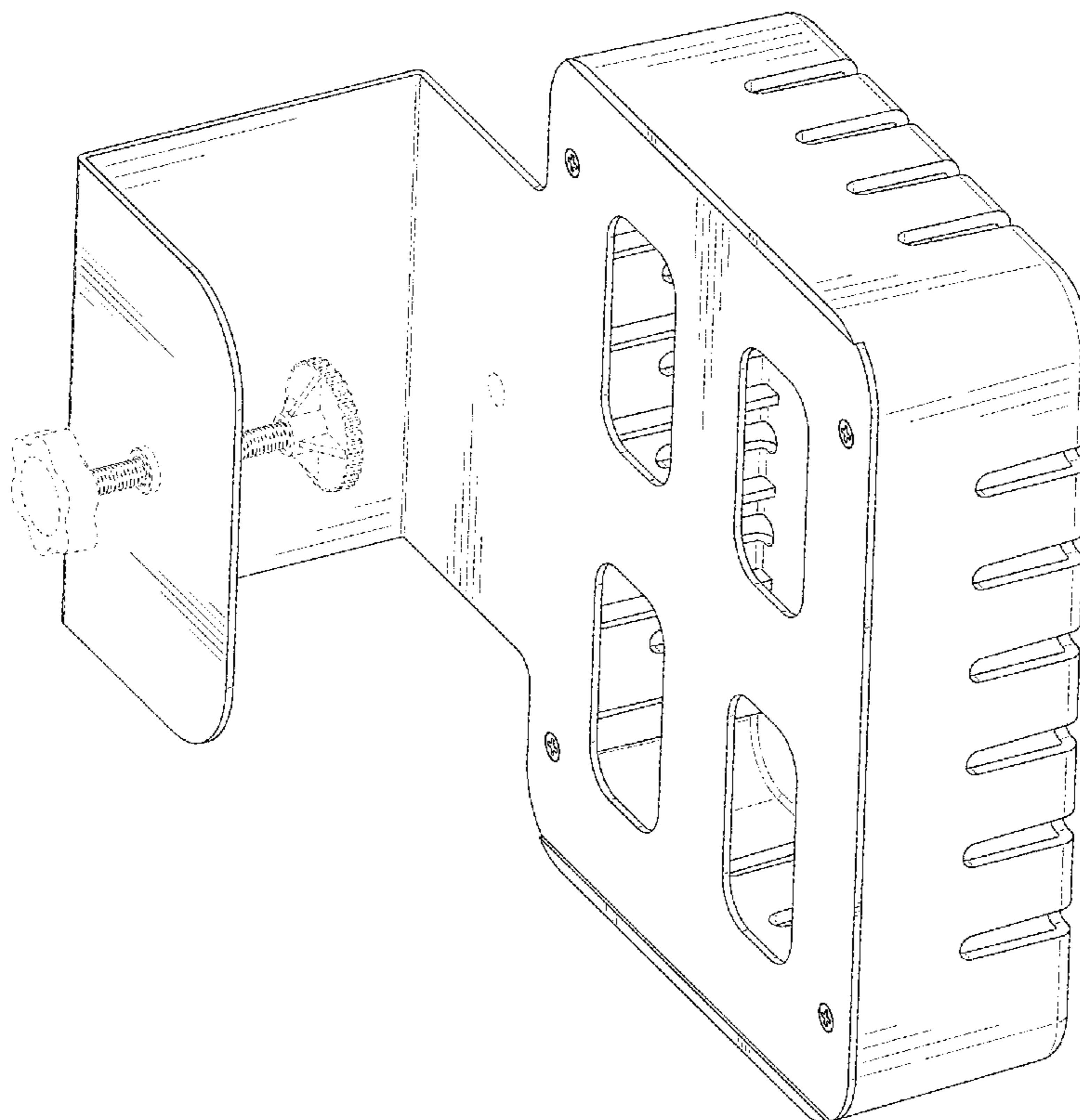
FIG. 6 is a right side elevational view thereof;

FIG. 7 is a top plan view thereof; and,

FIG. 8 is a bottom plan view thereof.

The broken lines in the drawings depict portions of the doorbell holder that form no part of the claimed design.

1 Claim, 8 Drawing Sheets



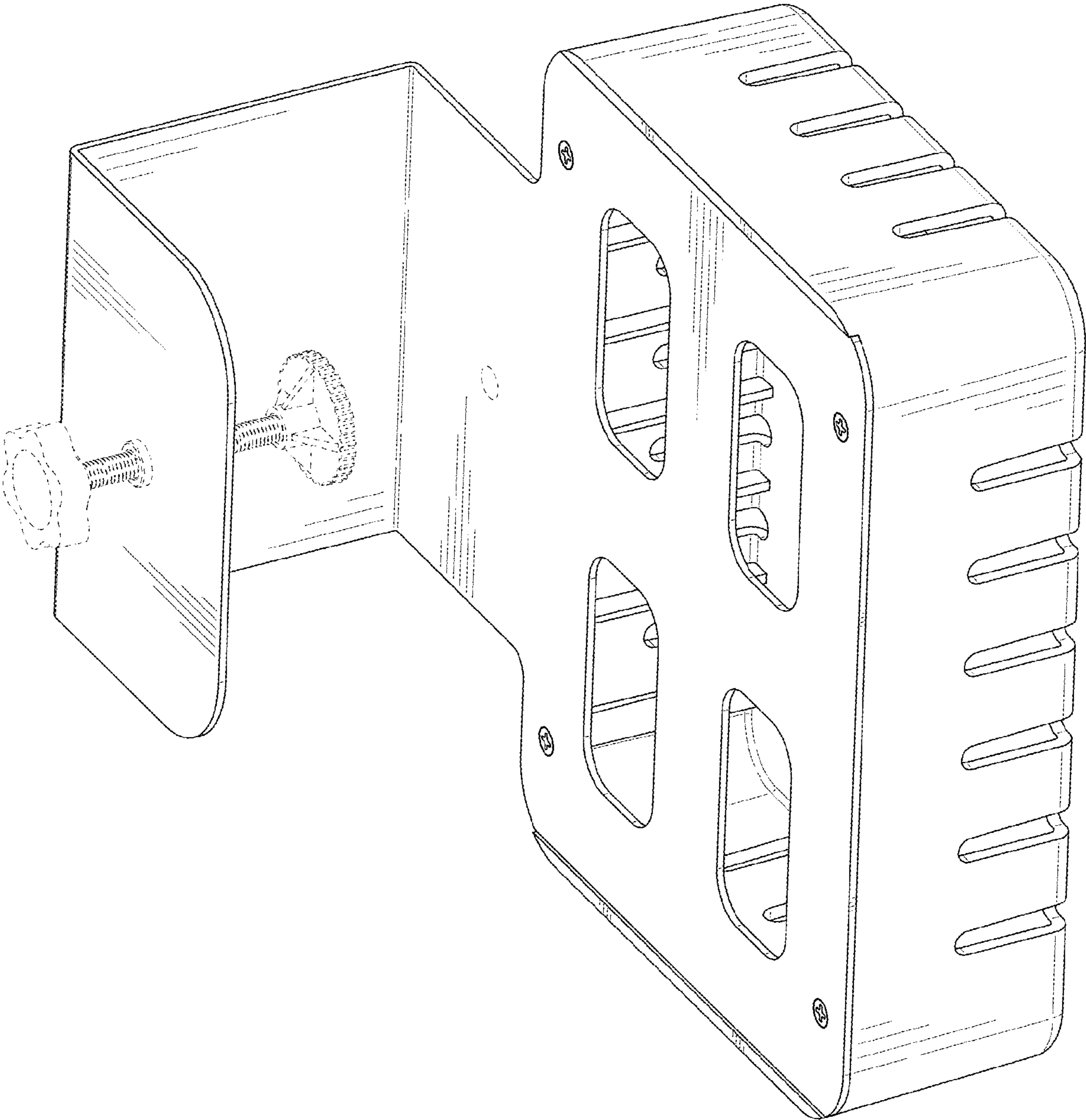


FIG. 1

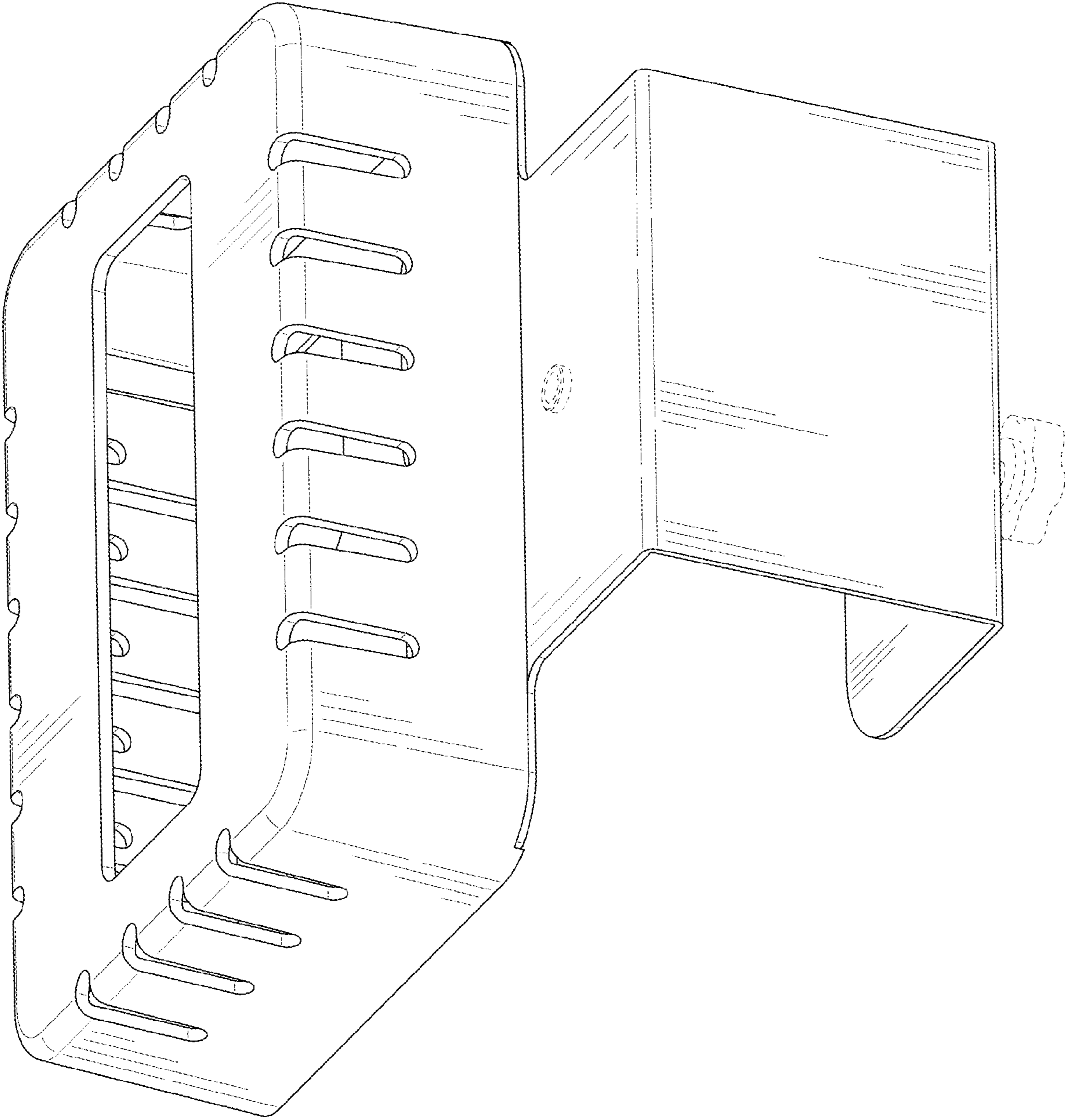


FIG. 2

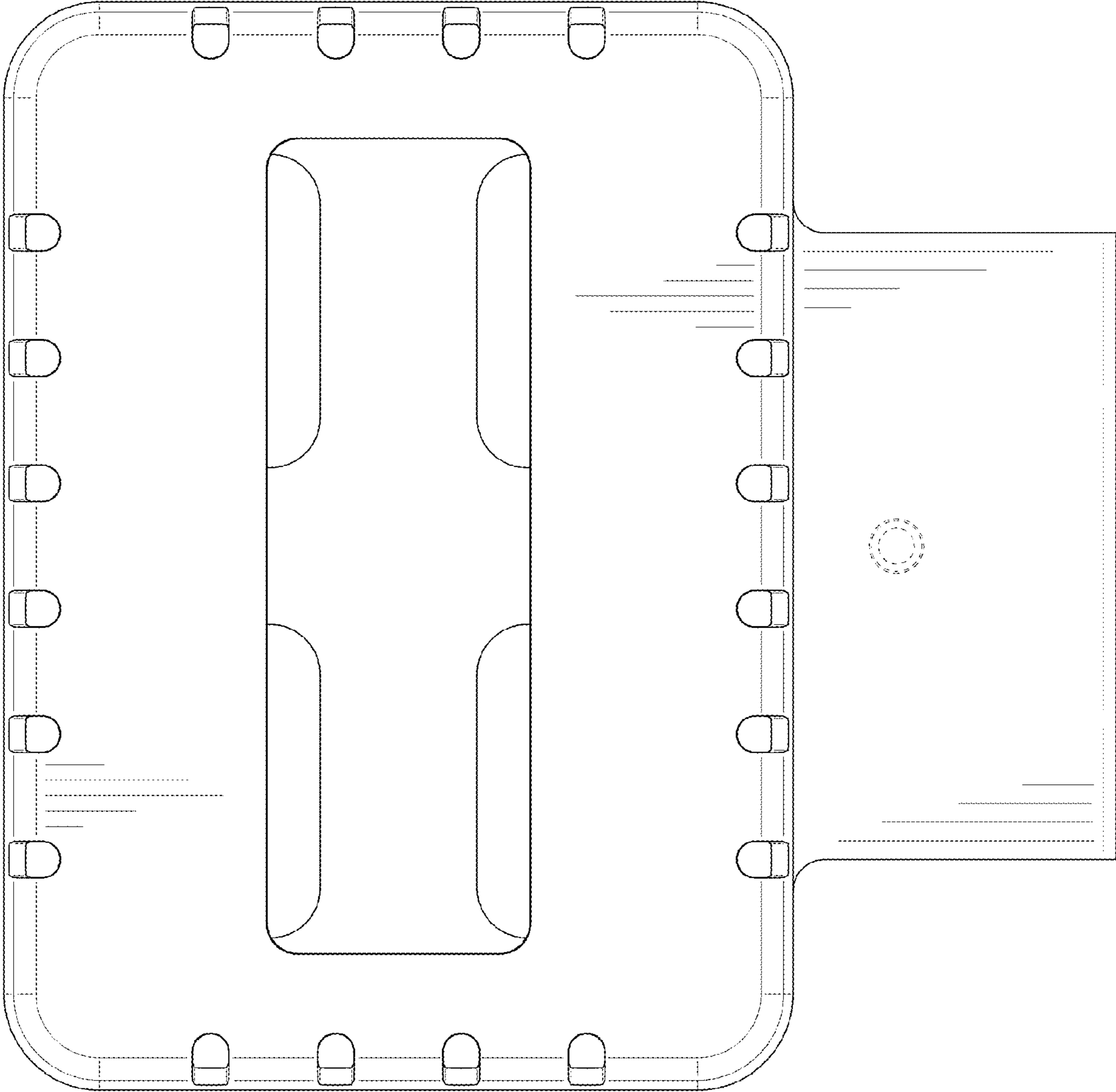


FIG. 3

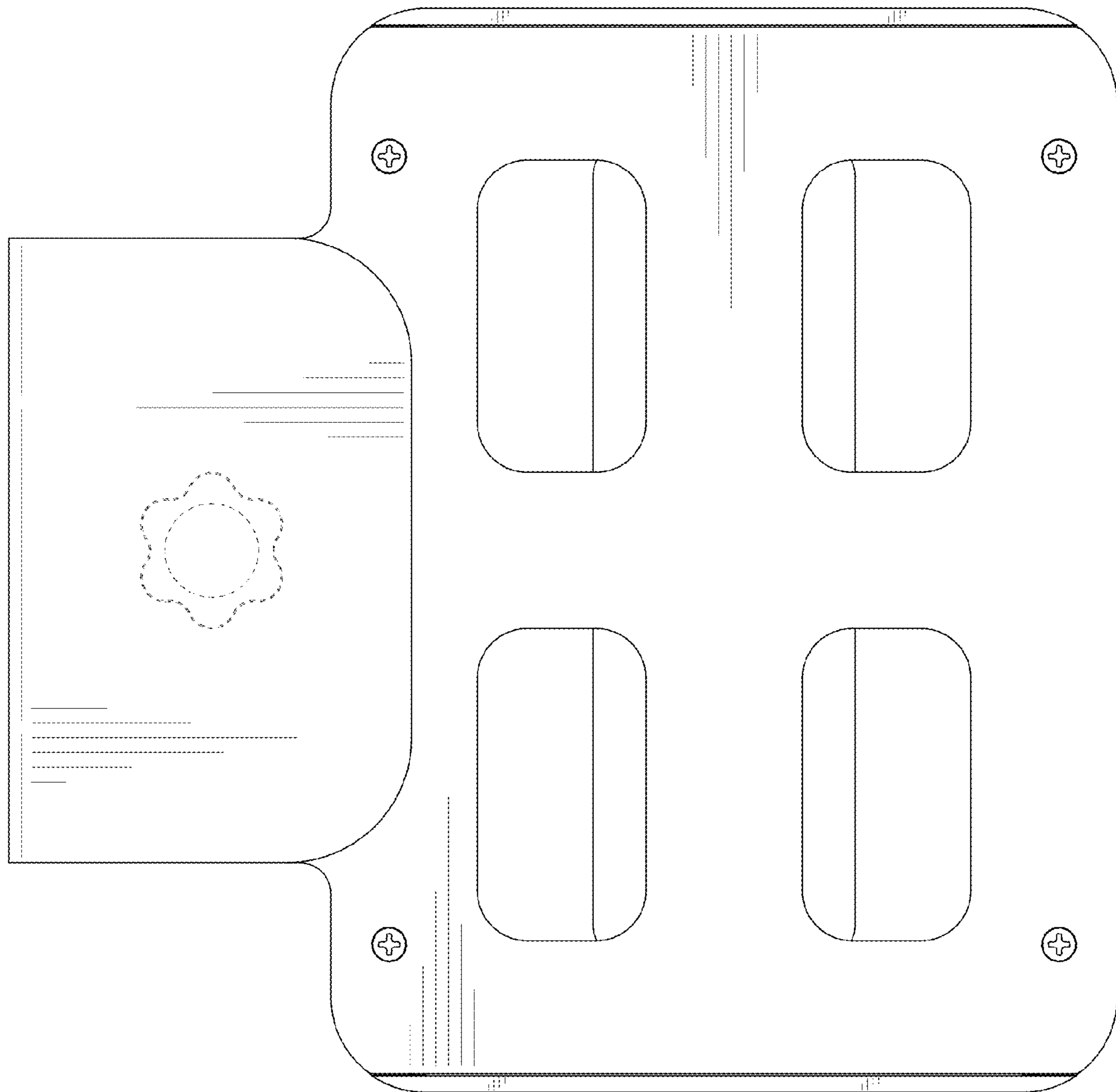


FIG. 4

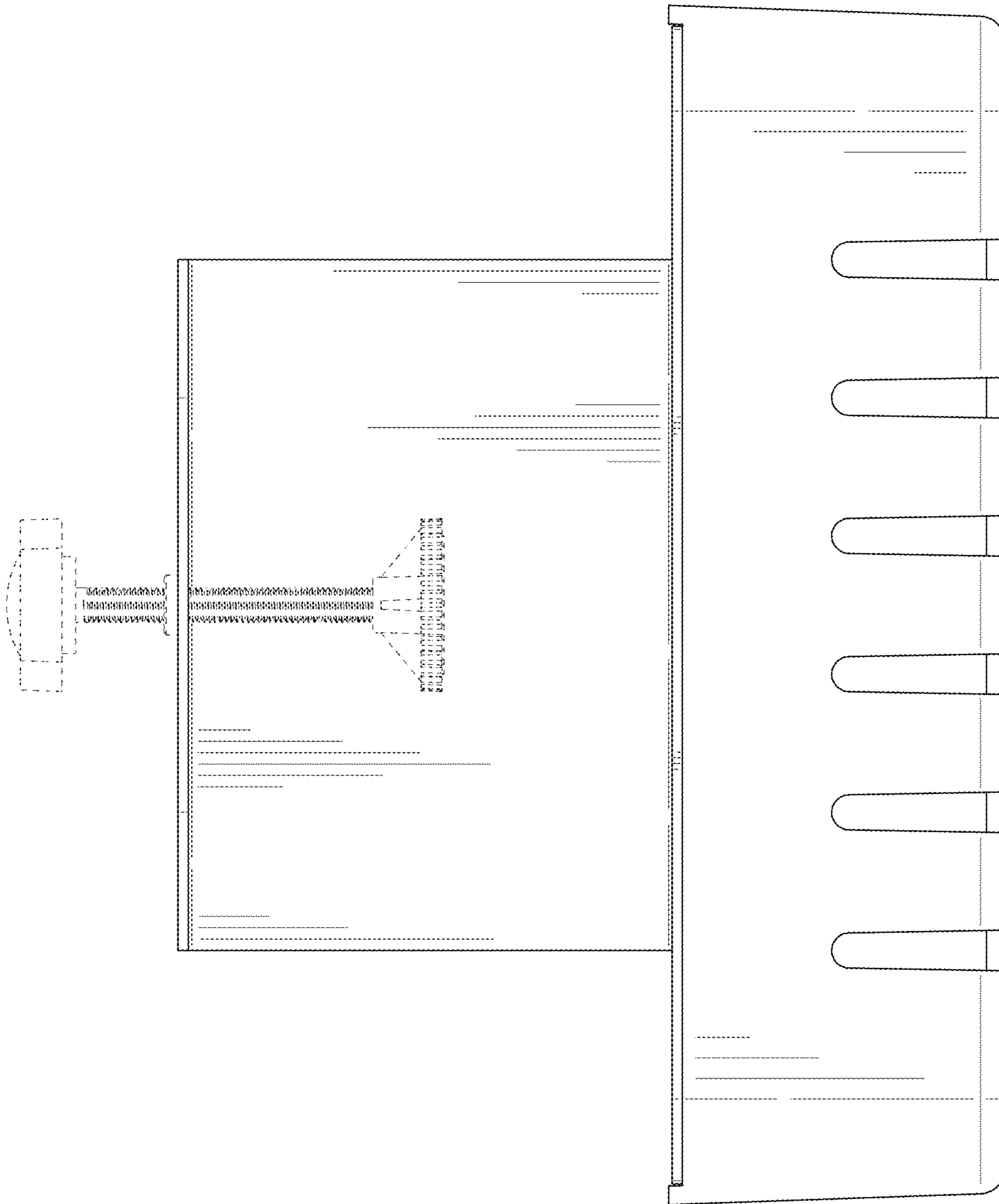


FIG. 5

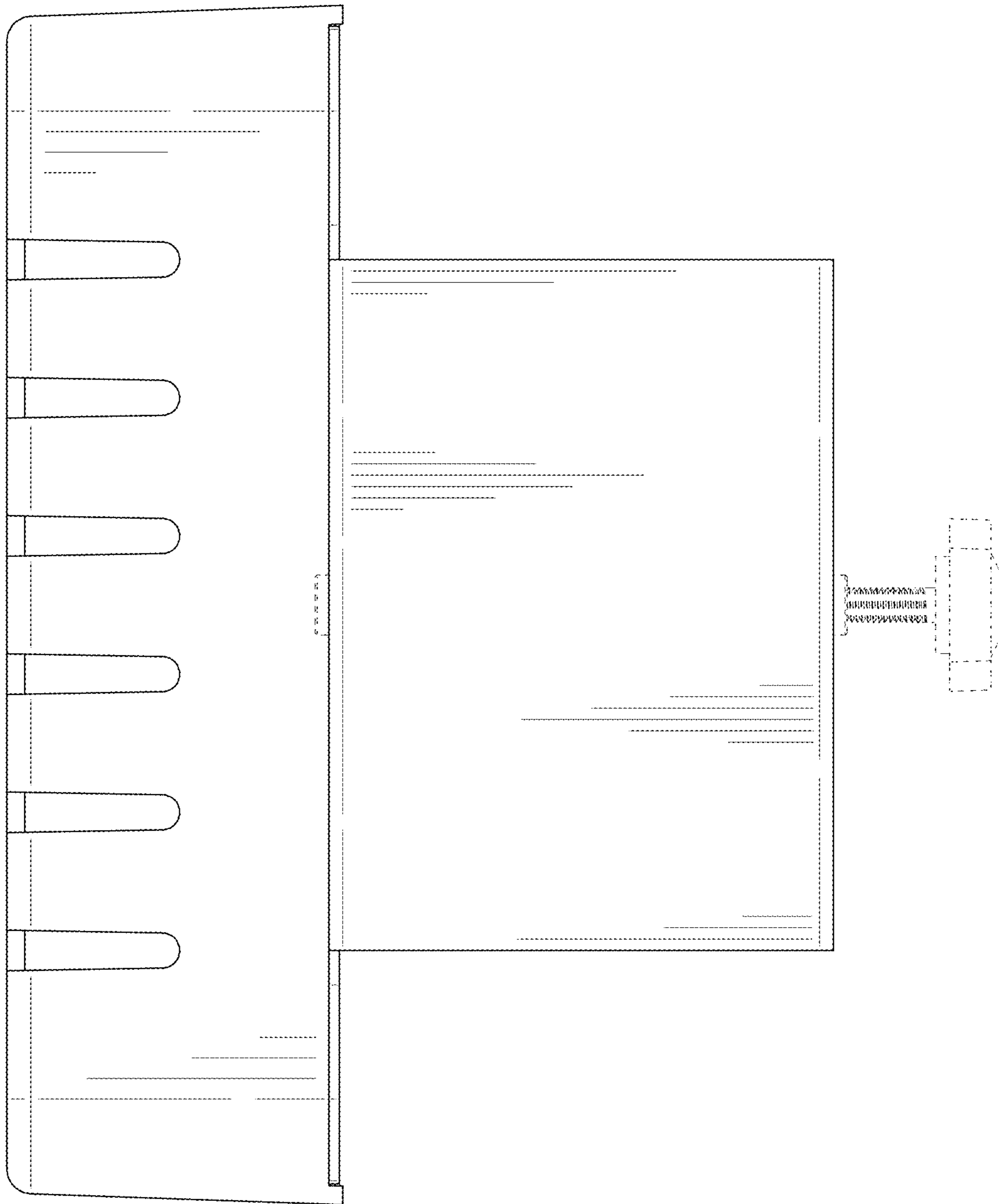


FIG. 6

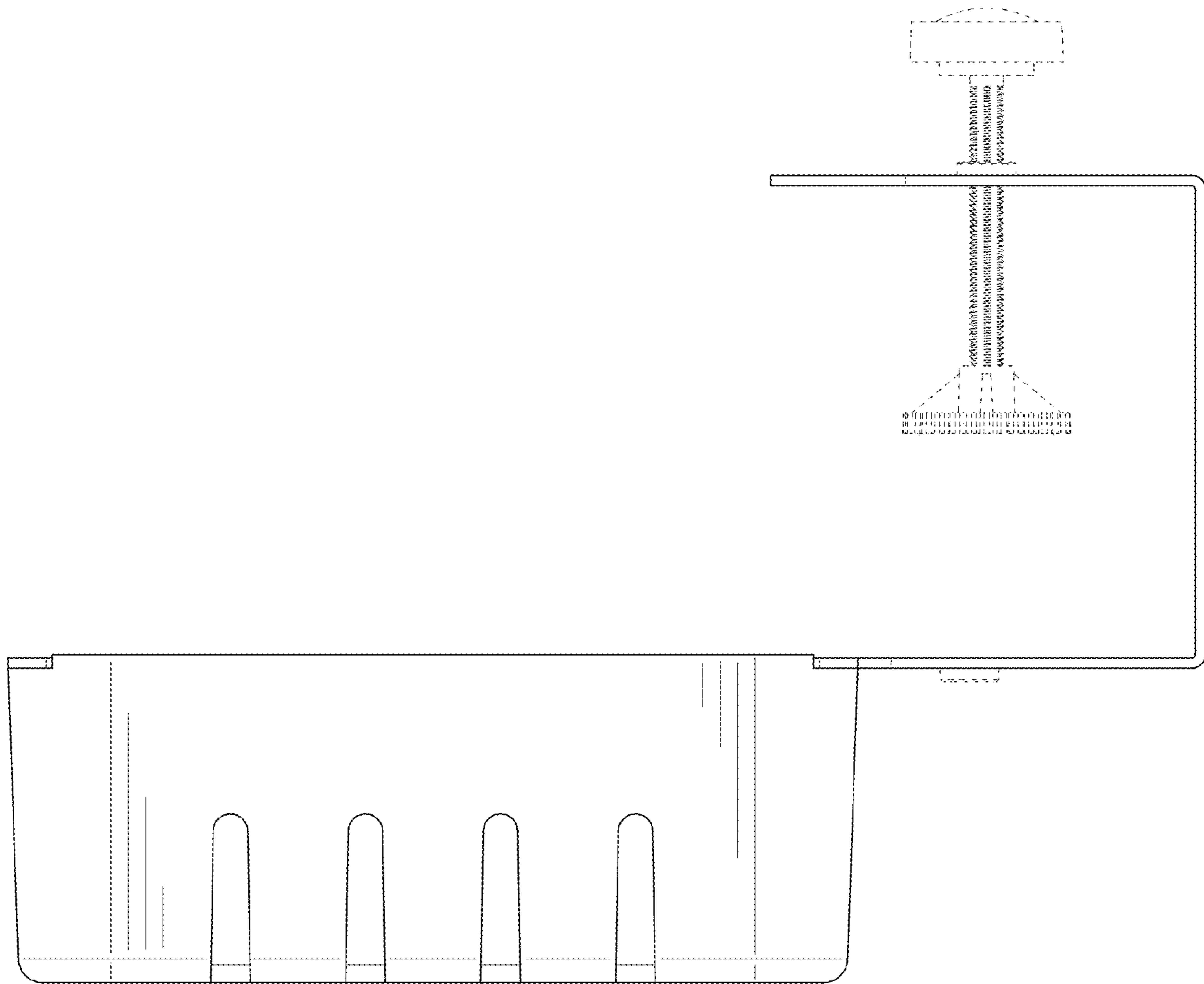


FIG. 7

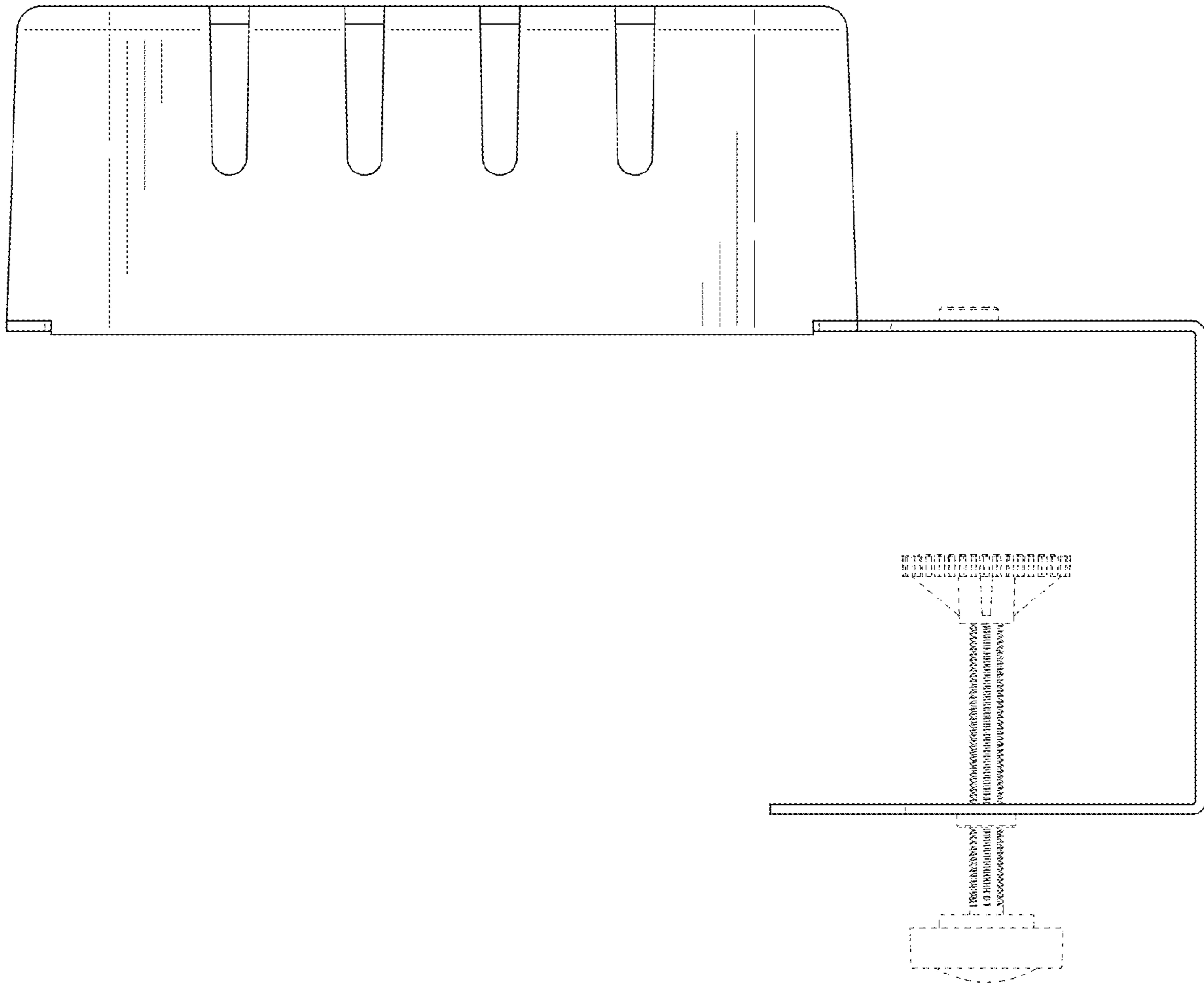


FIG. 8