



US00D932929S

(12) **United States Design Patent** (10) **Patent No.:** **US D932,929 S**
Stone et al. (45) **Date of Patent:** **** Oct. 12, 2021**

(54) **ANALYTICAL INSTRUMENT**

(56) **References Cited**

(71) Applicant: **Berkeley Lights, Inc.**, Emeryville, CA (US)

U.S. PATENT DOCUMENTS

(72) Inventors: **Michael J. Stone**, Emeryville, CA (US); **James R. Varney**, Bolton, MA (US); **Matthew C. White**, Brighton, MA (US); **Kenneth I. Li**, Piedmont, CA (US)

D283,107 S *	3/1986	Collister	D10/81
D421,653 S *	3/2000	Purcell	D24/216
D537,951 S *	3/2007	Okamoto	D24/233
D556,914 S *	12/2007	Okamoto	D24/233
D733,917 S *	7/2015	Klein	D24/232
D774,205 S *	12/2016	Grace	D24/216
D775,365 S *	12/2016	Mathers	D24/232
D775,405 S *	12/2016	Stanley	
D854,703 S *	7/2019	Juhlin	D24/216

(73) Assignee: **BERKELEY LIGHTS, INC.**, Emeryville, CA (US)

FOREIGN PATENT DOCUMENTS

(**) Term: **15 Years**

CN	305110676	4/2019
TW	D167891	4/2015

* cited by examiner

(21) Appl. No.: **29/695,084**

Primary Examiner — Antoine Duval Davis

(22) Filed: **Jun. 14, 2019**

(74) *Attorney, Agent, or Firm* — Haynes and Boone, LLP

(51) **LOC (13) Cl.** **10-04**

(57) **CLAIM**

(52) **U.S. Cl.**
USPC **D10/81**; D24/216

The ornamental design for an analytical instrument, as shown and described.

(58) **Field of Classification Search**

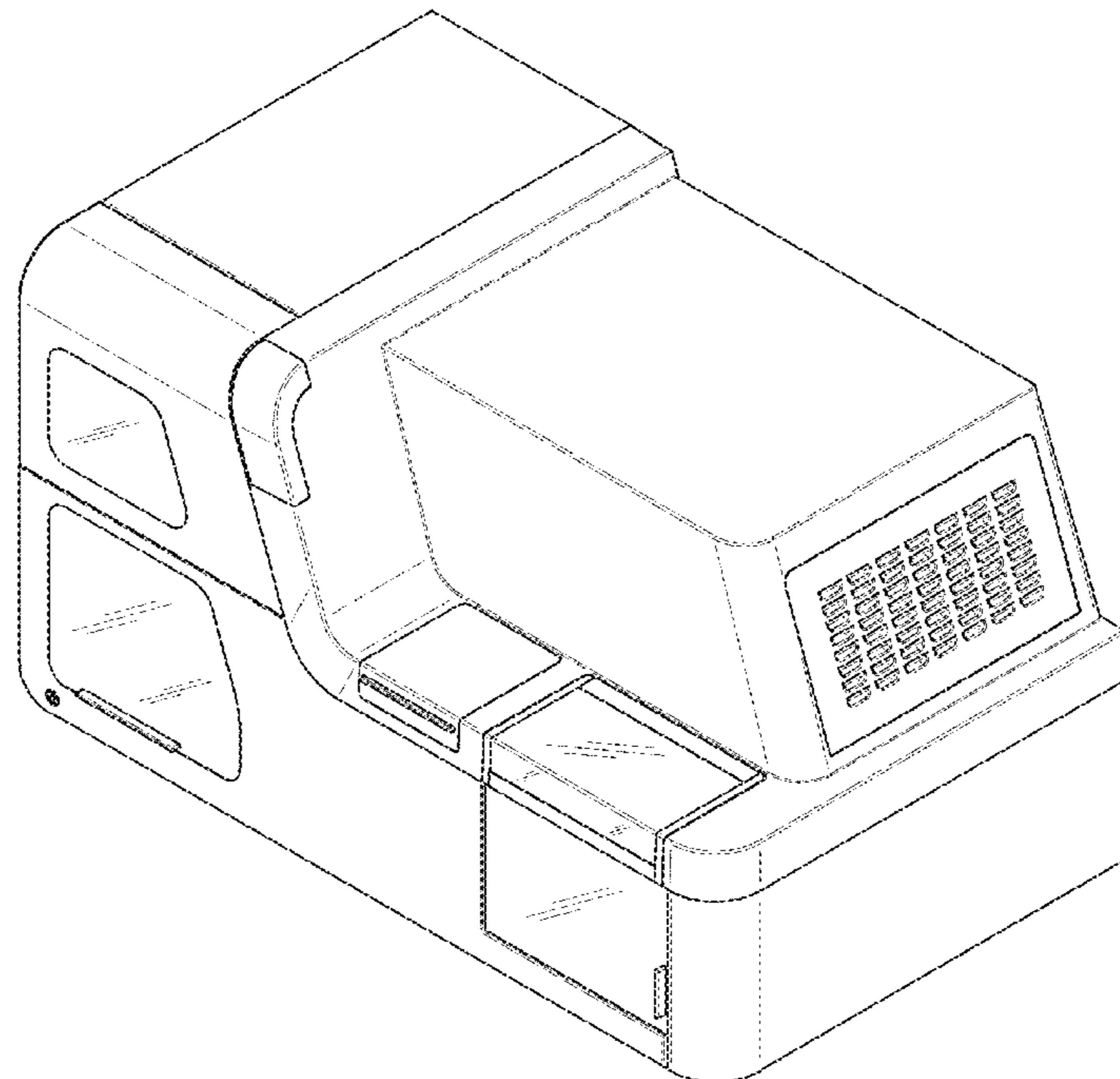
DESCRIPTION

USPC D10/81; D24/186, 216, 217, 219, 220, D24/221, 232, 233, 234
CPC .. G01N 21/00; G01N 21/01; G01N 2201/022; G01N 2201/0221; G01N 2201/0222; G01N 2201/0224; G01N 2201/0225; G01N 2201/0227; G01N 2201/0228; G01N 2201/024; G01N 2201/0245; G01N 2021/0112–21/958; G01N 2021/0106–9586; G01N 35/00–35/1097; G01N 2035/00019–2035/1093; G01N 2204/022–2204/0228

FIG. 1 is a perspective view of an analytical instrument showing our new design.
FIG. 2 is a front view thereof.
FIG. 3 is a back view thereof.
FIG. 4 is a side view thereof.
FIG. 5 is a side view thereof.
FIG. 6 is a top view thereof; and,
FIG. 7 is a bottom view thereof.
The portions of the features depicted in broken lines are not part of the claimed design.

See application file for complete search history.

1 Claim, 7 Drawing Sheets



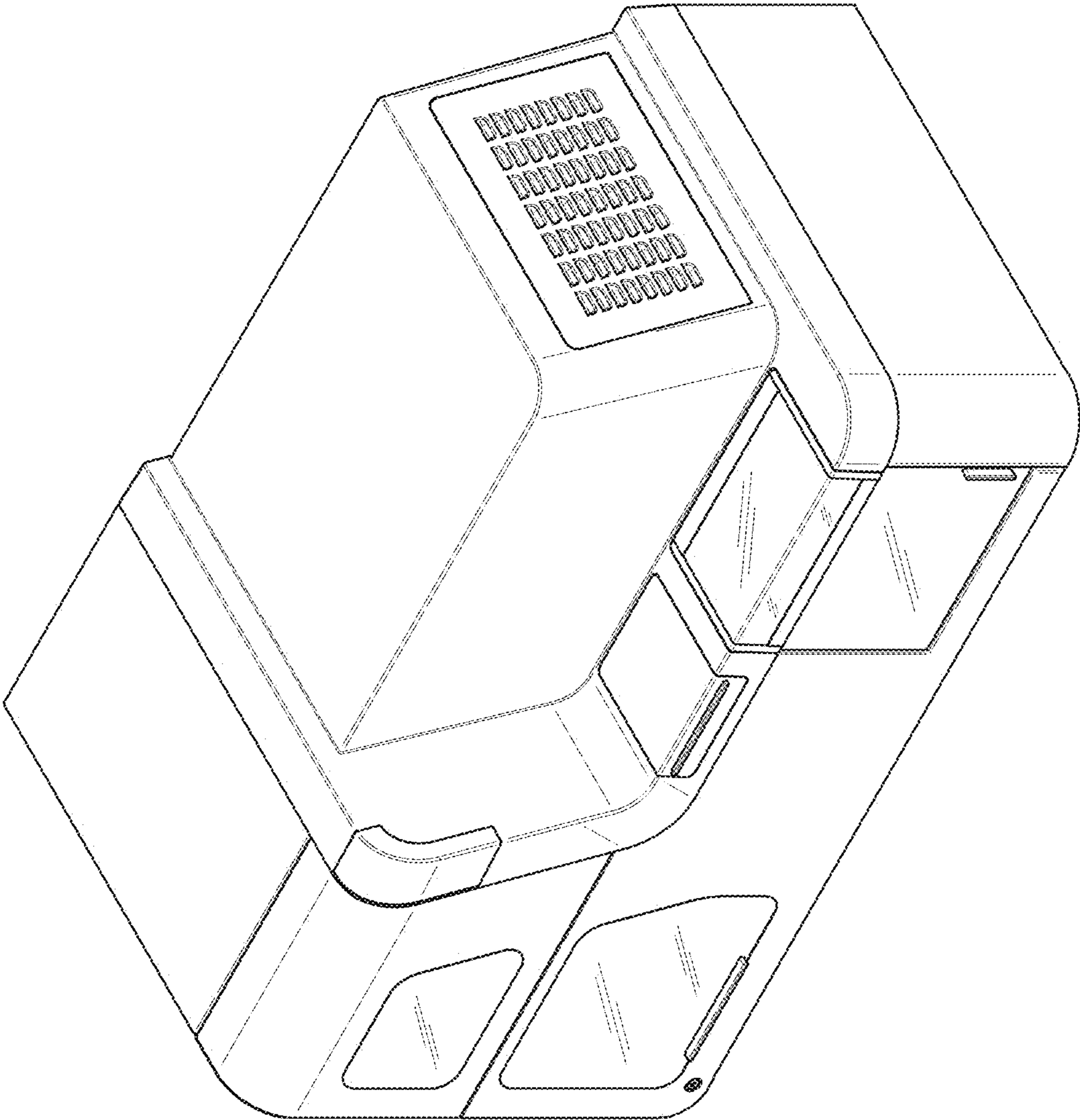


FIG. 1

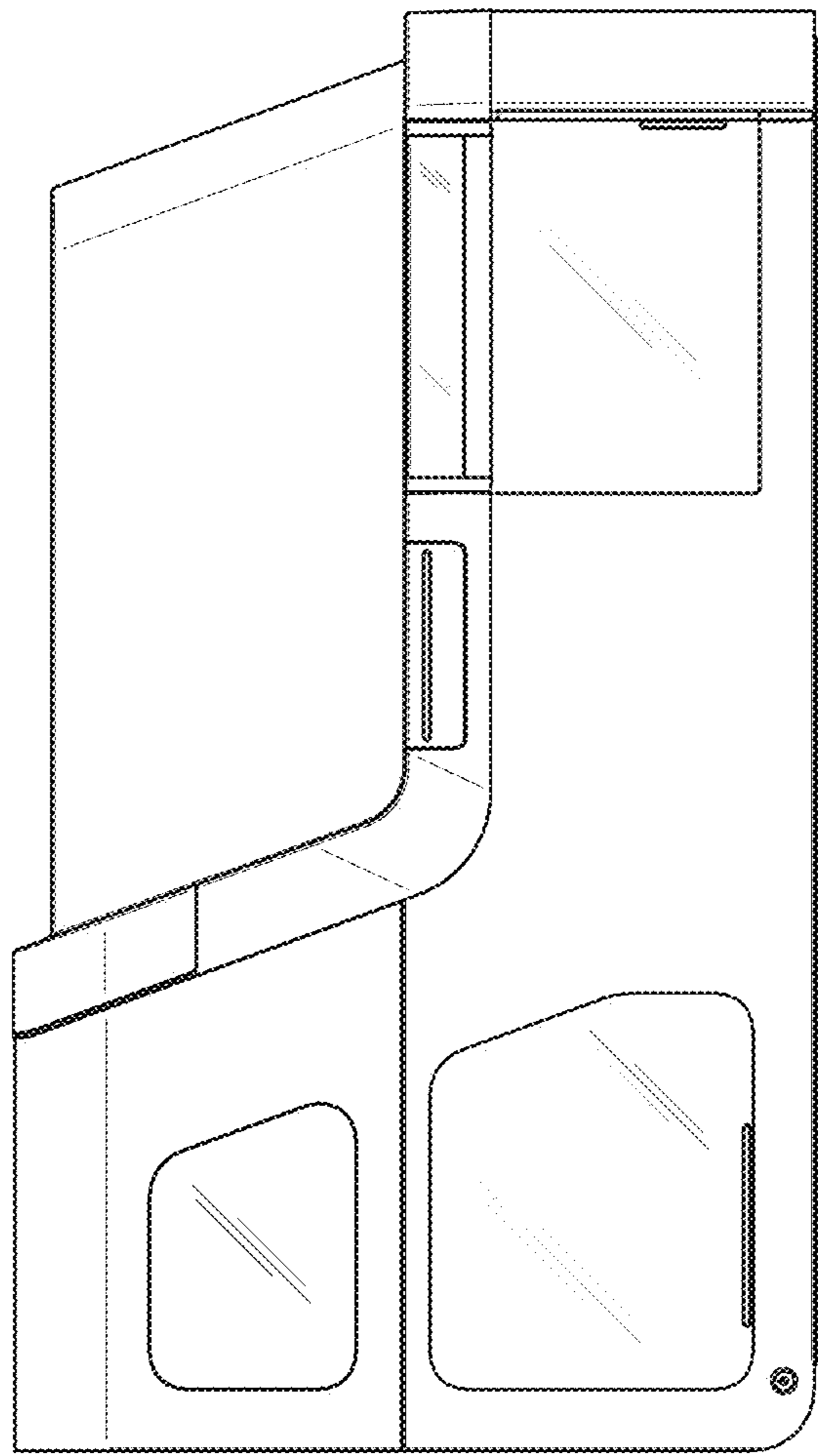


FIG. 2

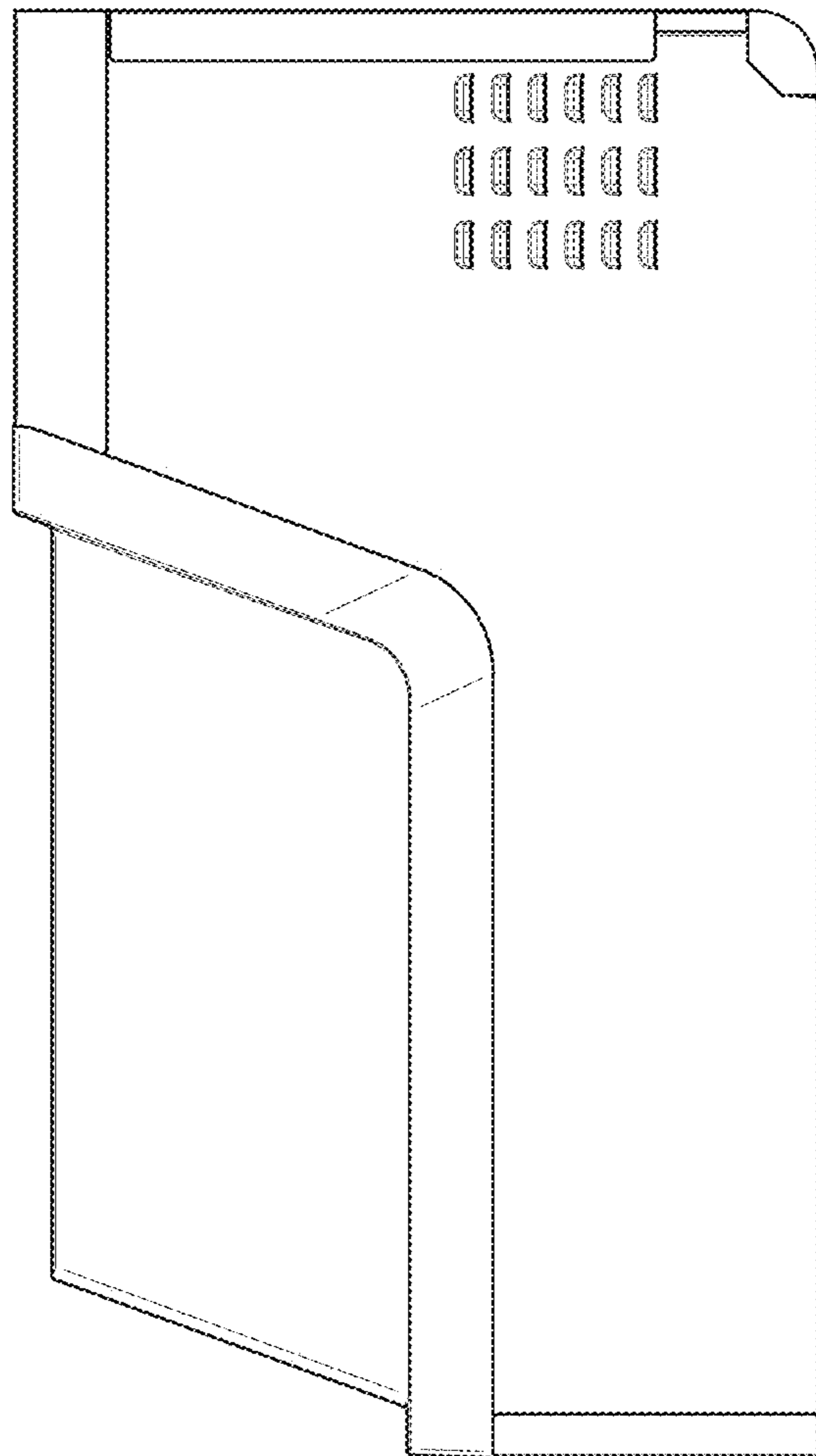


FIG. 3

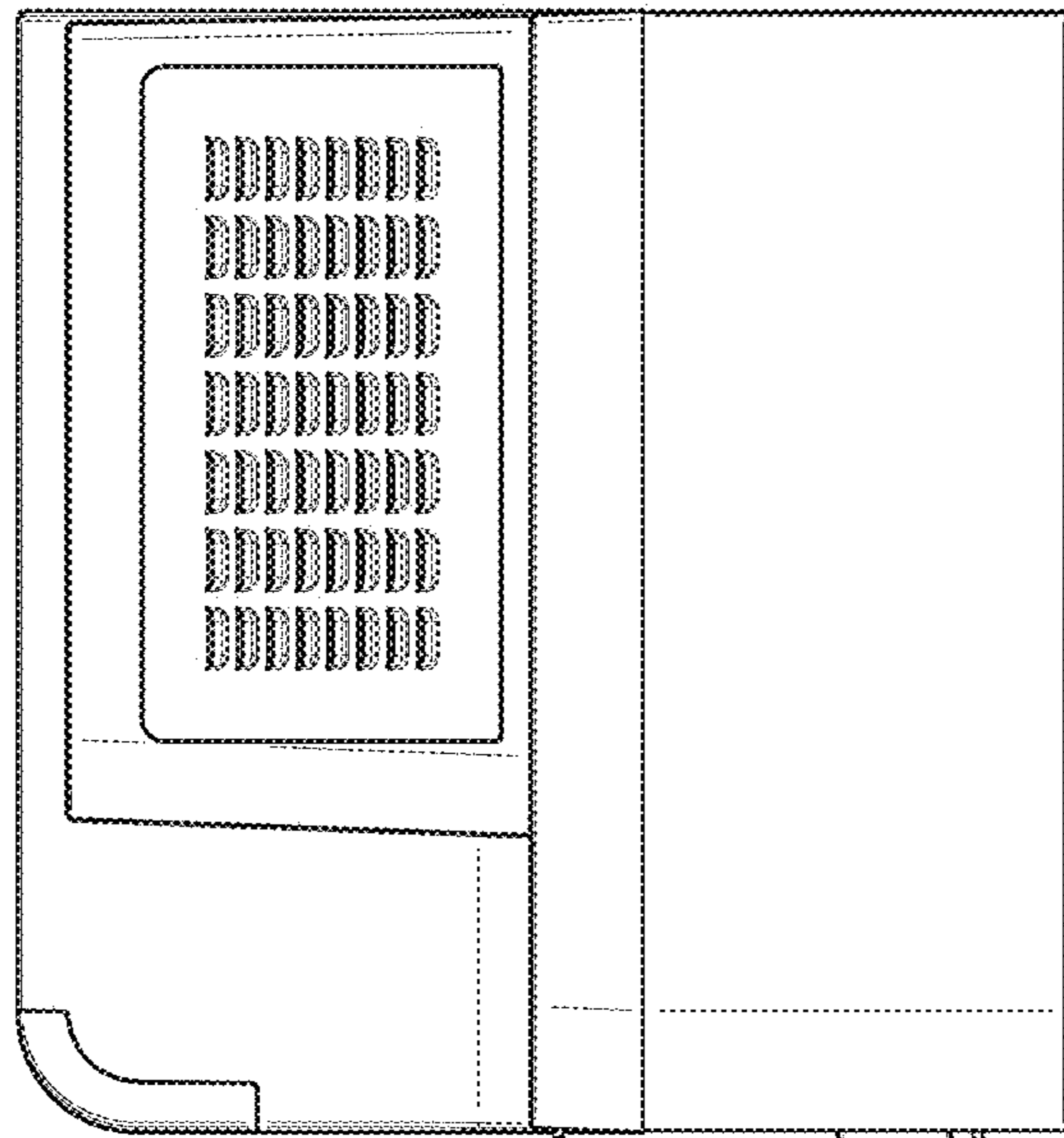


FIG. 4

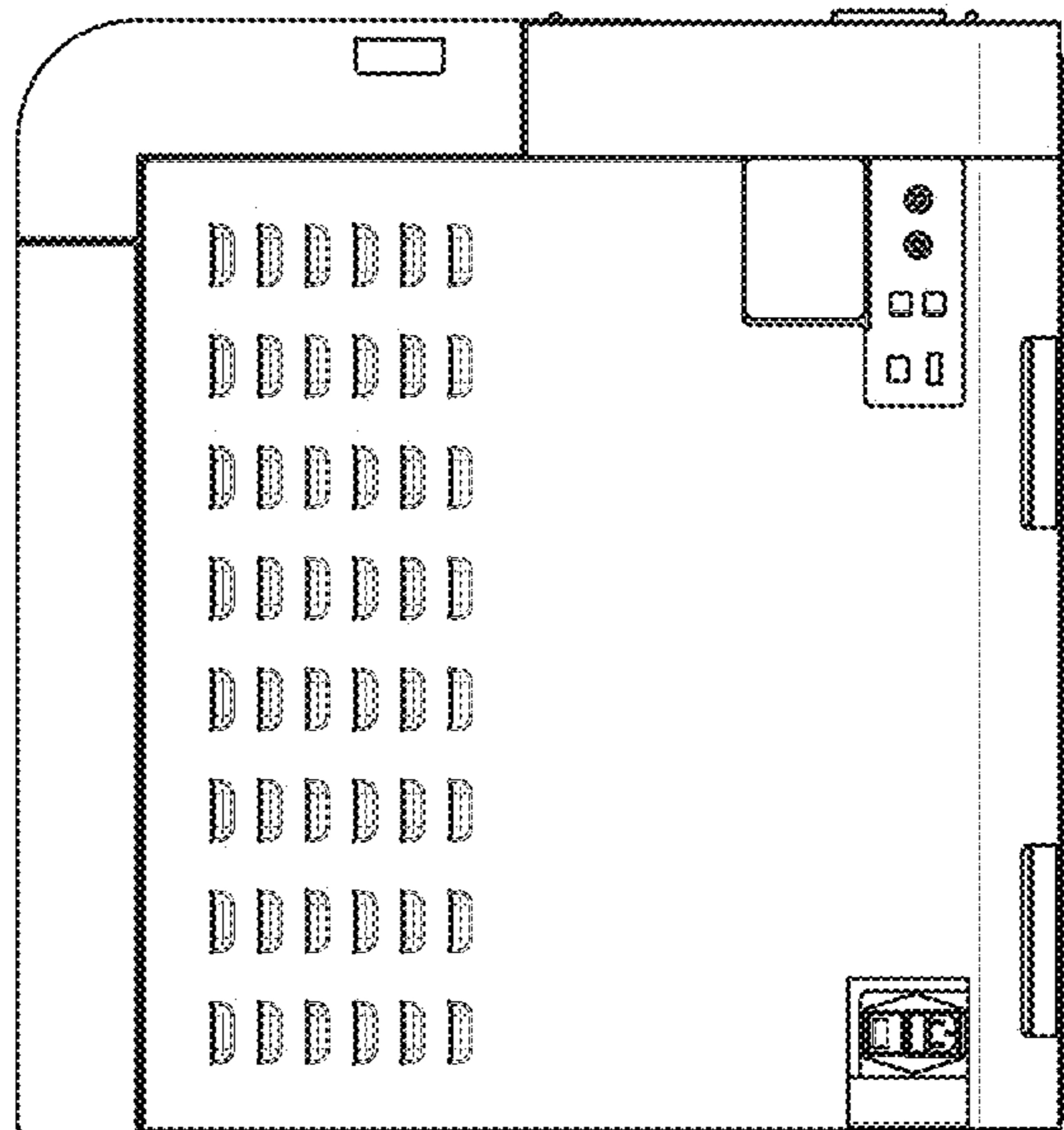


FIG. 5

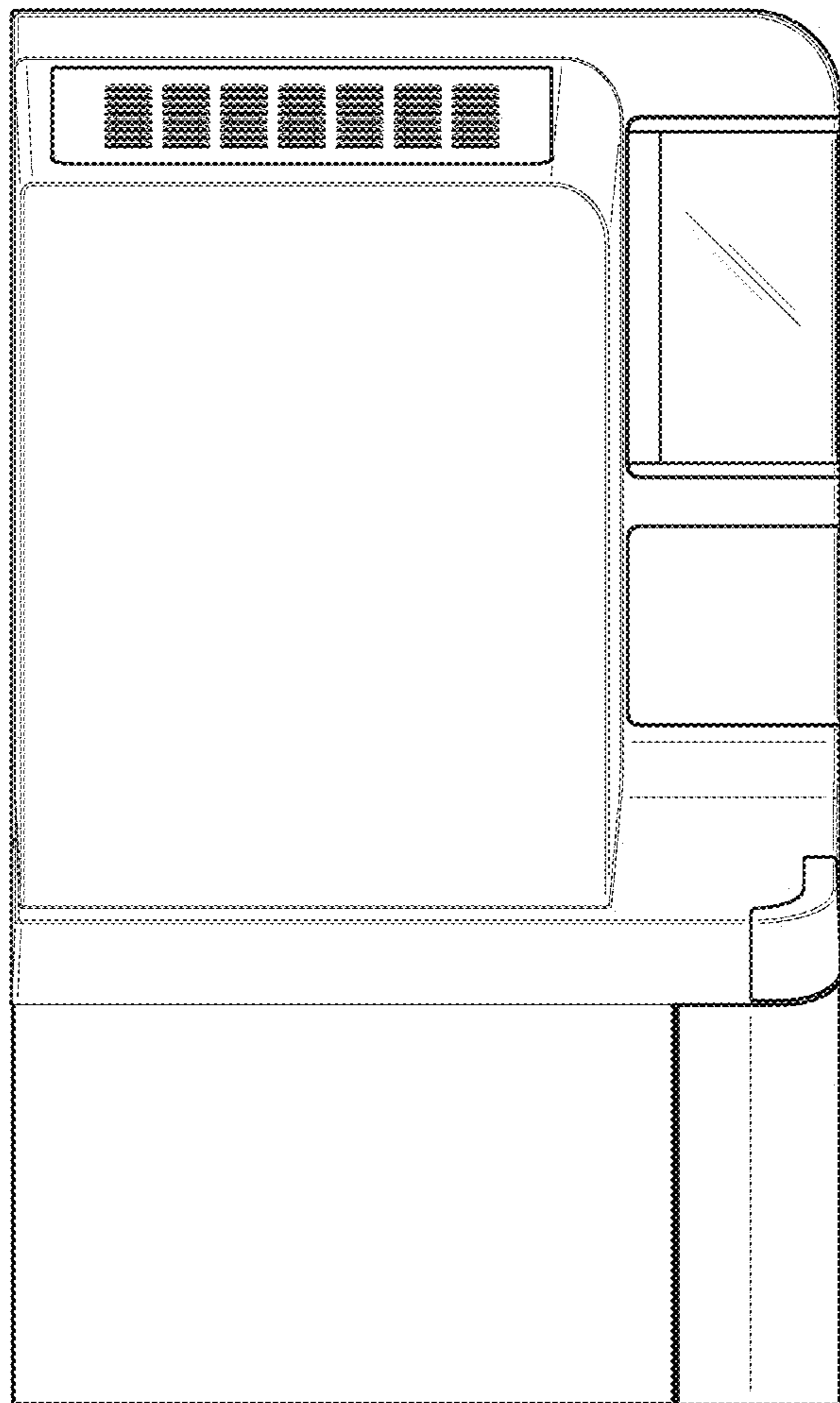


FIG. 6

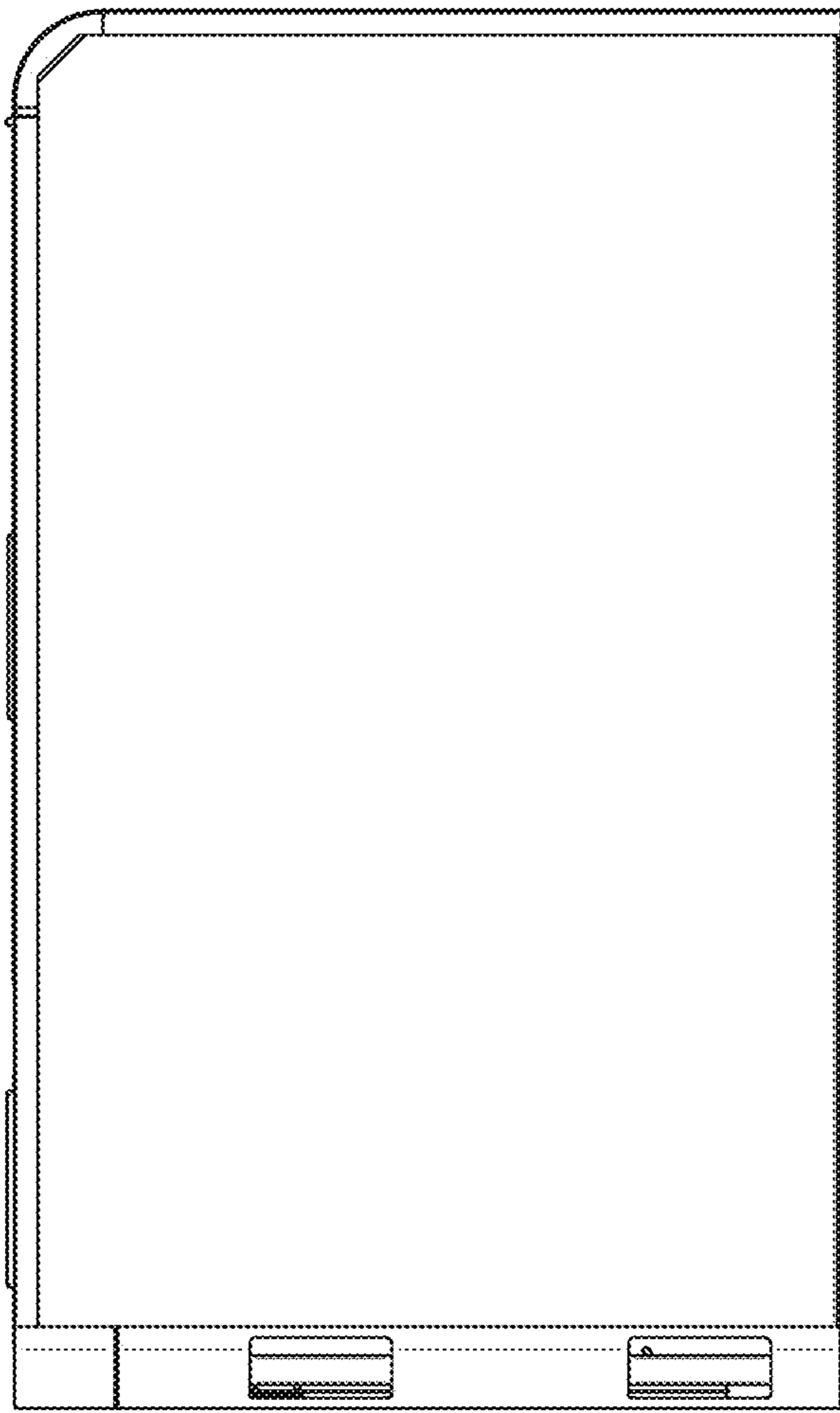


FIG. 7