



US00D932926S

(12) **United States Design Patent**  
**Liao**

(10) **Patent No.:** **US D932,926 S**

(45) **Date of Patent:** **\*\* Oct. 12, 2021**

(54) **MEASURING CUP**

D835,952 S \* 12/2018 Deckard ..... D7/691  
D908,514 S \* 1/2021 Lang ..... D10/46.3  
D922,220 S \* 6/2021 Liao ..... D10/46.2

(71) Applicant: **Shenzhenshi xiaying keji**  
**youxiangongsi**, Shenzhen Guangdong  
(CN)

**OTHER PUBLICATIONS**

(72) Inventor: **Yanxia Liao**, Chaozhou Guangdong  
(CN)

Wildone 8-Piece Measuring Cups Set, May 11, 2020, Amazon,  
<https://www.amazon.com/Wildone-Measuring-Stainless-Ingredients-Dishwasher/dp/B088FRMG64> (Year: 2020).\*

(\*\*) Term: **15 Years**

U-Taste, Measuring Cups, Aug. 26, 2019, Amazon, <https://www.amazon.com/Measuring-U-Taste-Magnetic-Spoons-Stainless/dp/B07X3PBWJC> (Year: 2019).\*

(21) Appl. No.: **29/753,321**

Berhoff 4-Piece Stainless Steel Measuring Cups, Jun. 9, 2015,  
Amazon, <https://www.amazon.com/Berghoff-4-Piece-Stainless-Steel-Measuring/dp/B00WQRF116> (Year: 2015).\*

(22) Filed: **Sep. 30, 2020**

Good Cook Touch 4-Piece Stainless Steel measuring Cup Set, Feb.  
16, 2015, Amazon, <https://www.amazon.com/dp/B00TTZGPII> (Year: 2015).\*

(51) **LOC (13) Cl.** ..... **10-04**

(52) **U.S. Cl.**  
USPC ..... **D10/46.2**

(58) **Field of Classification Search**

USPC ..... D10/46.2, 46.3; D7/653, 691, 401.2,  
D7/681, 692, 395; D30/162; D24/116  
CPC ..... G01F 19/002; G01F 19/00; A61J 7/0023  
See application file for complete search history.

(Continued)

*Primary Examiner* — Brett Miller

(57) **CLAIM**

The ornamental design for a measuring cup, as shown and  
described.

(56) **References Cited**

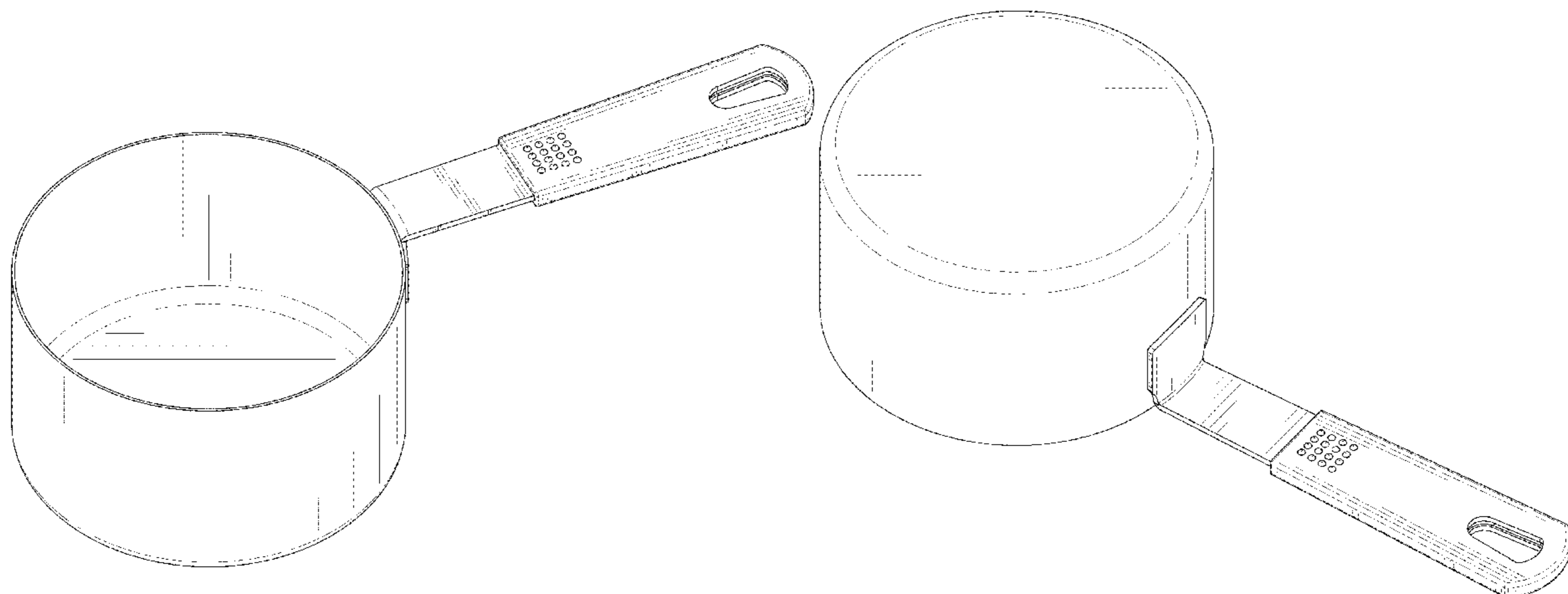
**U.S. PATENT DOCUMENTS**

D330,863 S \* 11/1992 Green ..... D10/46.2  
5,445,022 A \* 8/1995 Vassallo ..... G01F 19/002  
16/225  
D405,313 S \* 2/1999 Kroscher ..... D7/395  
D431,960 S \* 10/2000 Hay ..... D7/395  
D448,610 S \* 10/2001 Saunders ..... D7/395  
D452,631 S \* 1/2002 Knorr ..... D7/395  
D486,718 S \* 2/2004 Goddert ..... D7/395  
D491,413 S \* 6/2004 Rosenthal ..... D7/395  
D521,398 S \* 5/2006 DiPietro ..... D10/46.2  
D630,063 S \* 1/2011 Funka, Jr. .... D7/681  
D650,218 S \* 12/2011 Loaiza ..... D7/395  
D660,141 S \* 5/2012 Zemel ..... D8/395  
D692,324 S \* 10/2013 Wong ..... D10/46.3  
D752,453 S \* 3/2016 Holding ..... D10/46.3  
D787,956 S 5/2017 Wiggins

**DESCRIPTION**

FIG. 1 is a front and top perspective view of a measuring  
cup, showing my new design;  
FIG. 2 is a rear and bottom perspective view thereof;  
FIG. 3 is a front elevational view thereof;  
FIG. 4 is a rear elevational view thereof;  
FIG. 5 is a left side elevational view thereof;  
FIG. 6 is a right side elevational view thereof;  
FIG. 7 is a top plan view thereof; and,  
FIG. 8 is a bottom plan view thereof.  
The broken lines in the figures illustrate portions of the  
article that form no part of the claimed design.

**1 Claim, 8 Drawing Sheets**



(56)

**References Cited**

OTHER PUBLICATIONS

Gela Global WT-3602 Stainless Steel Measuring Cups, Aug. 20, 2016, Amazon, <https://www.amazon.com/Gela-Global-WT-3602-Stainless-Multicolor/dp/B01KQKG7C8> (Year: 2016).\*

\* cited by examiner

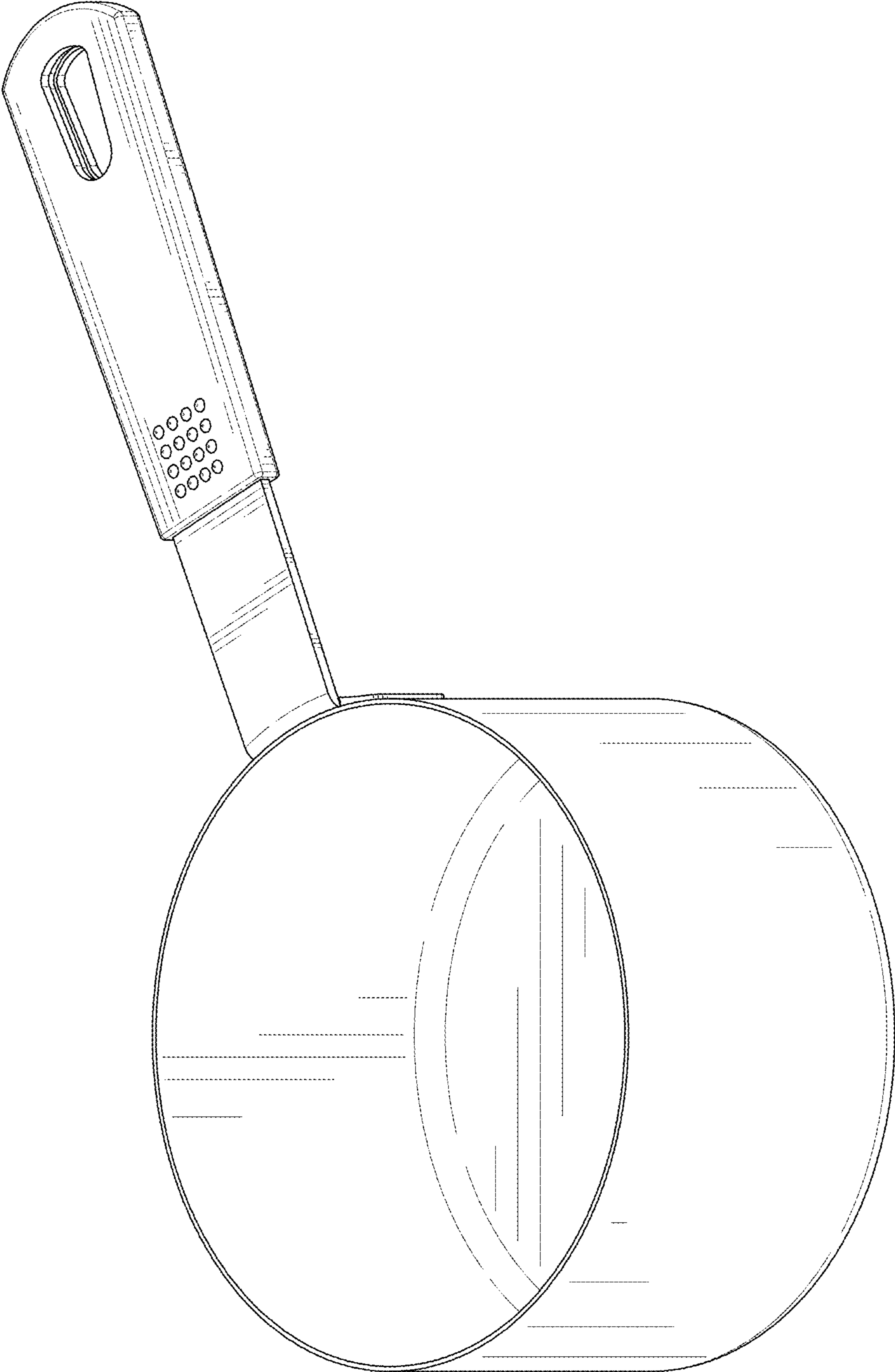


FIG. 1

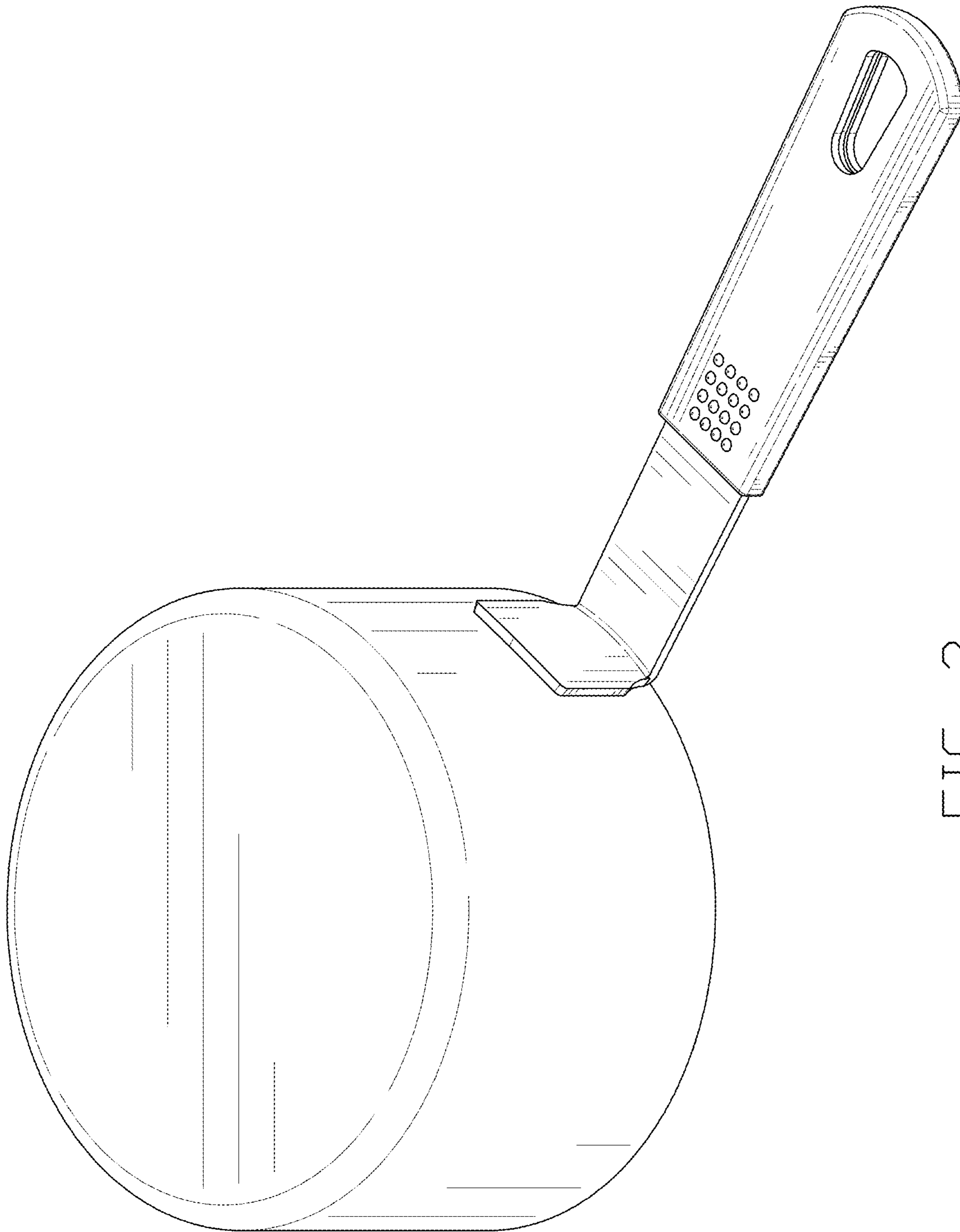


FIG. 2

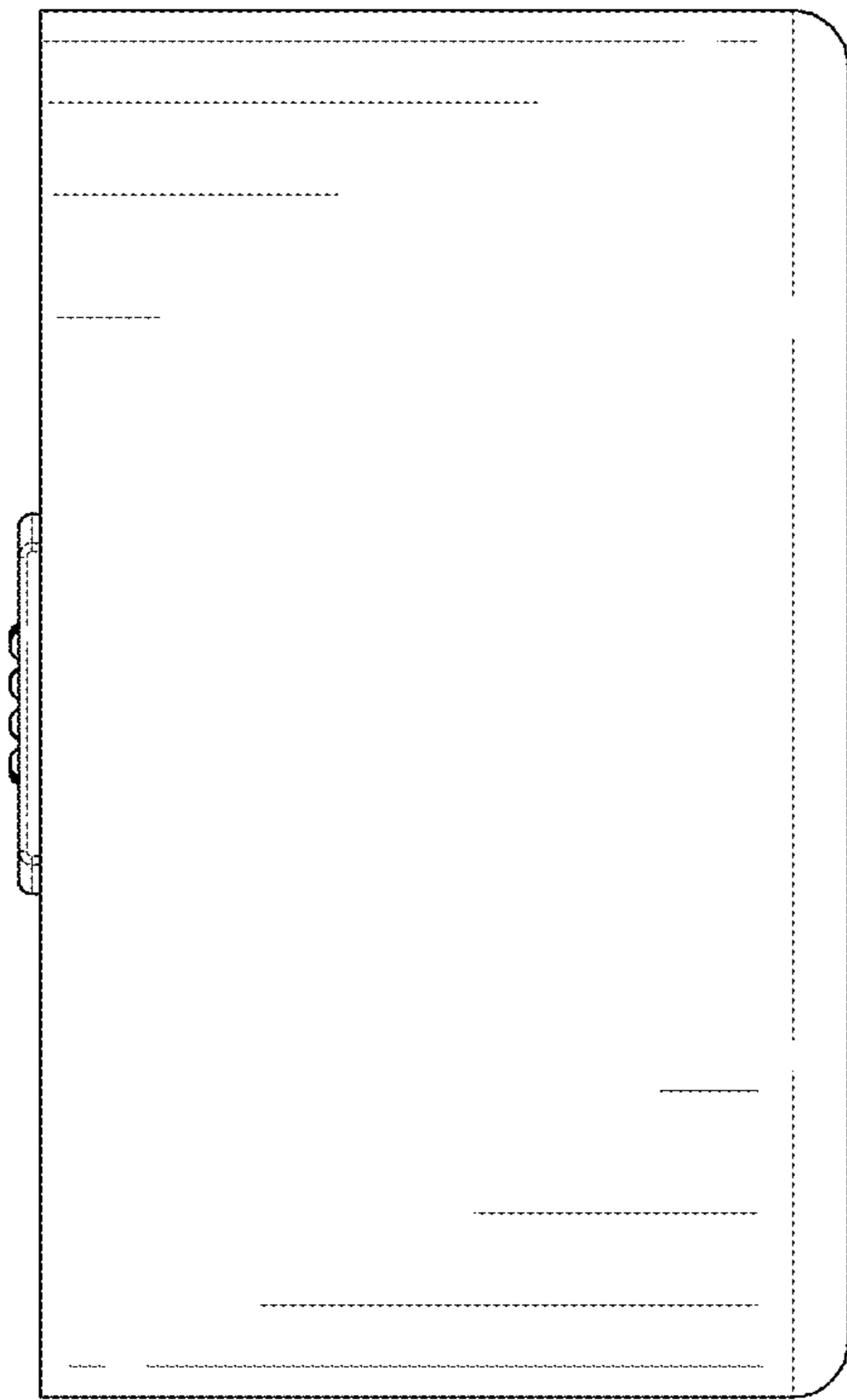


FIG. 3

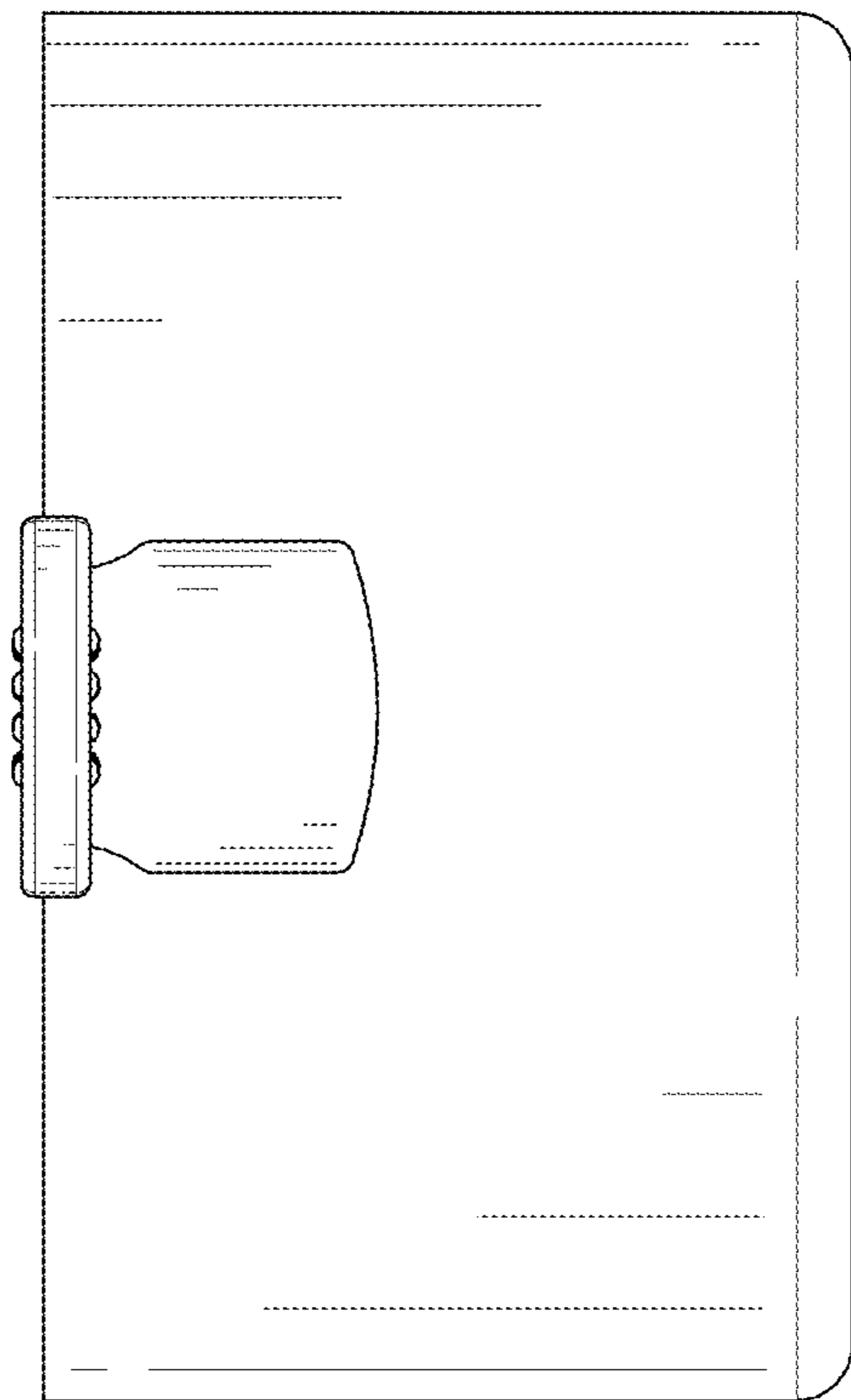


FIG. 4

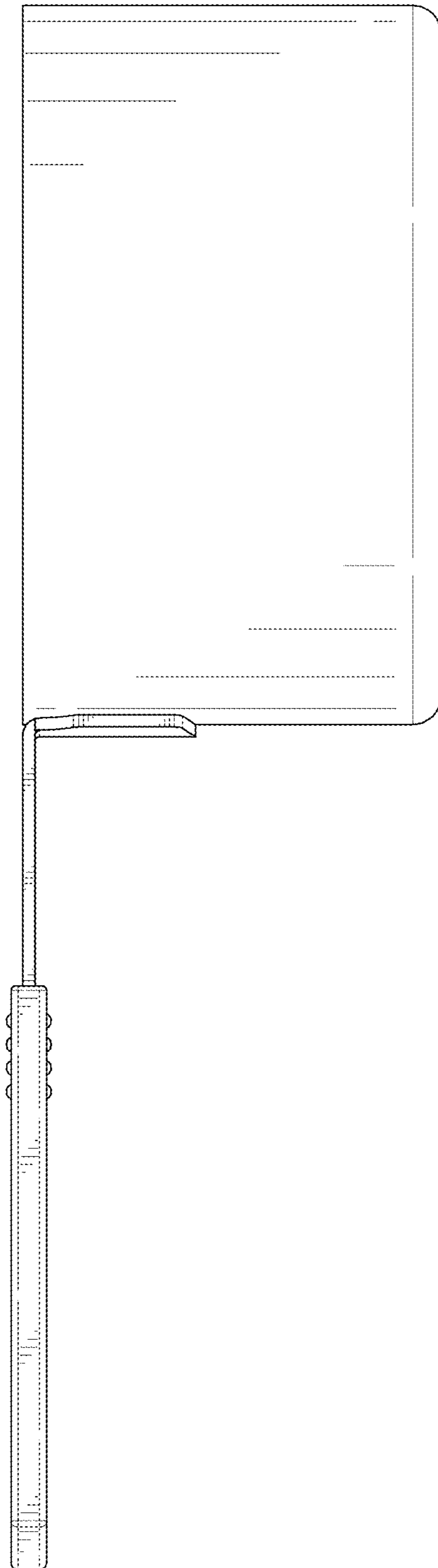


FIG. 5

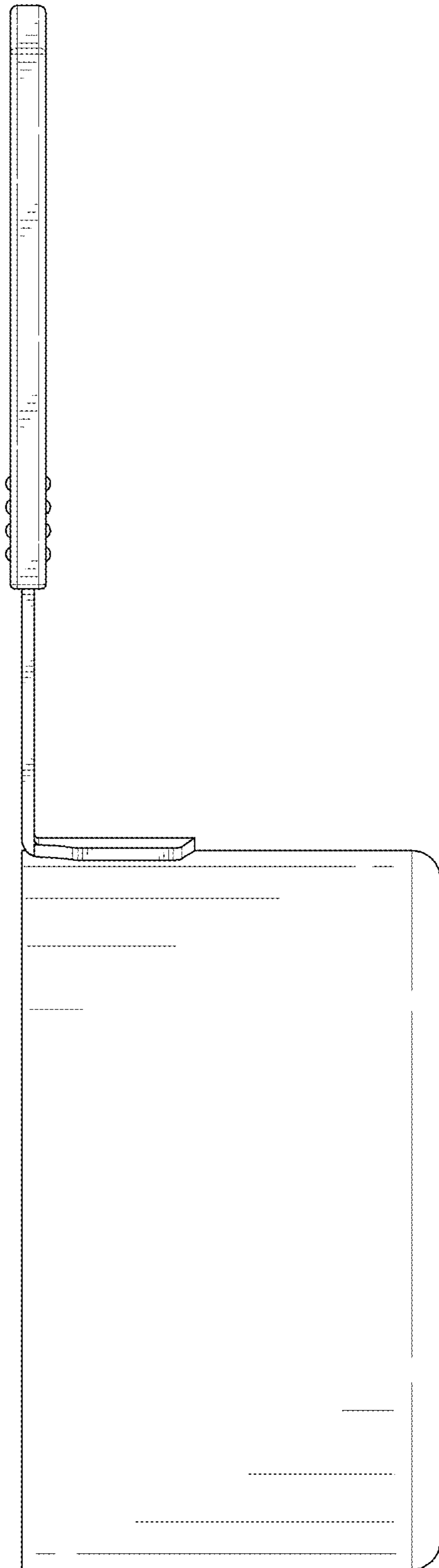


FIG. 6



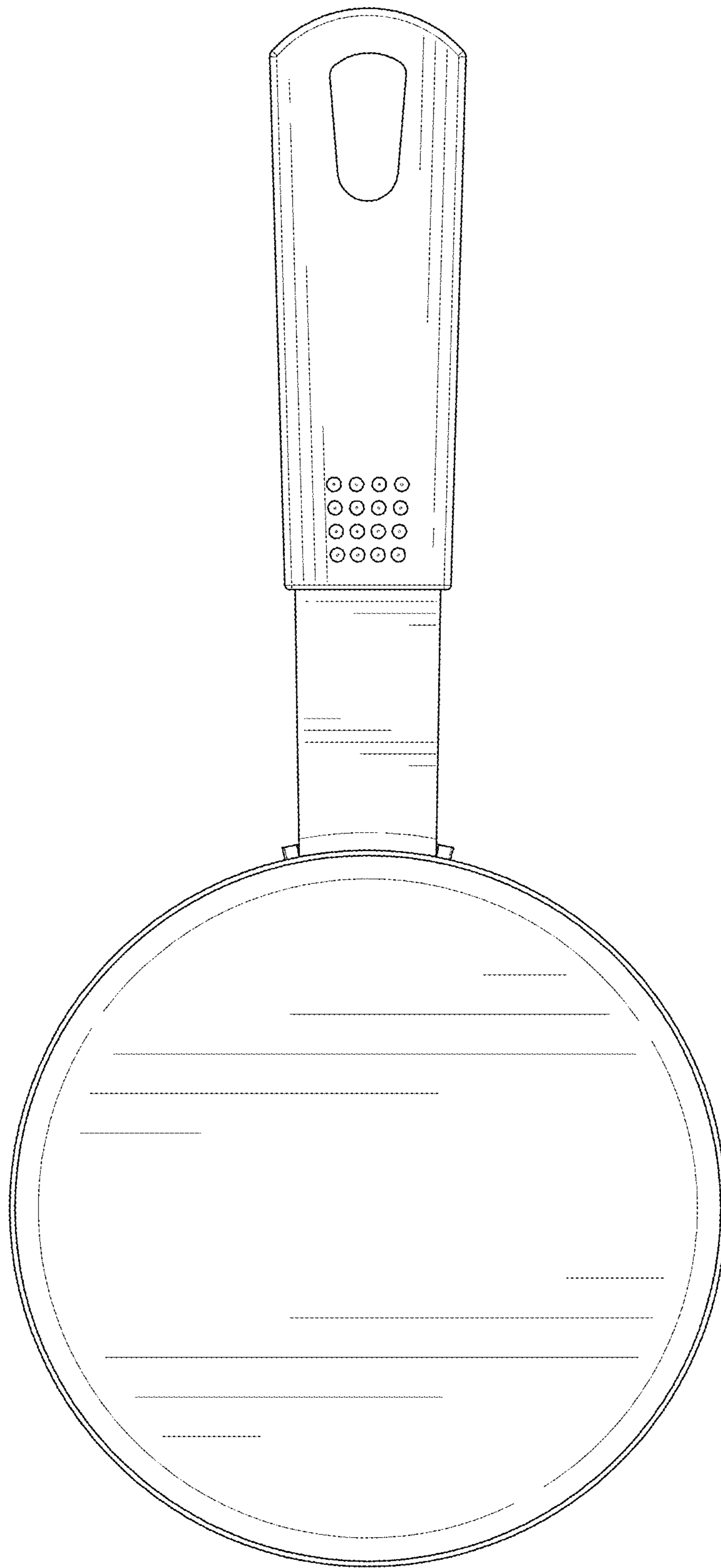


FIG. 7

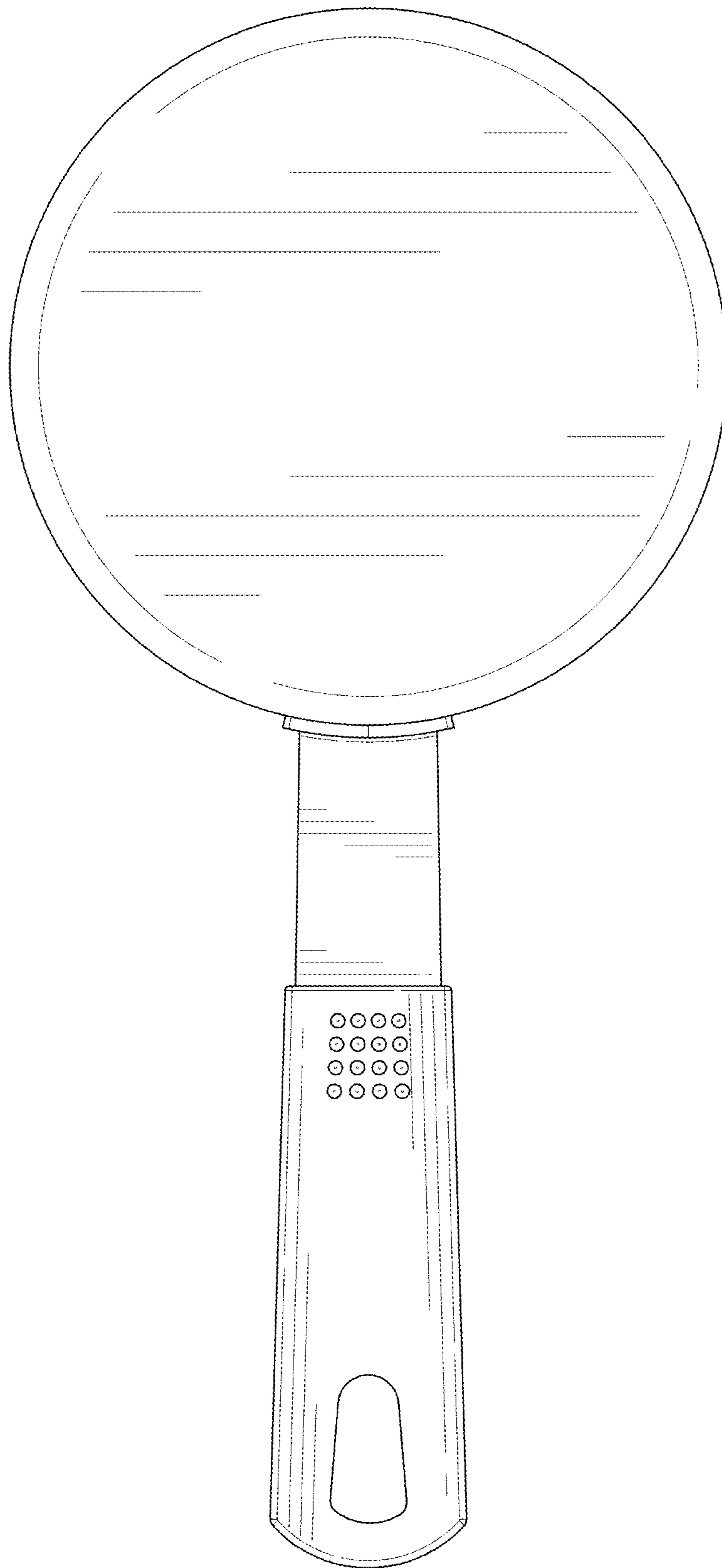


FIG. 8