



US00D932925S

(12) **United States Design Patent**
Liao

(10) **Patent No.:** **US D932,925 S**

(45) **Date of Patent:** **** Oct. 12, 2021**

(54) **MEASURING SPOON**

(71) Applicant: **Shenzhenshi xiaying keji**
youxiangongsi, Shenzhen Guangdong
(CN)

(72) Inventor: **Yanxia Liao**, Chaozhou Guangdong
(CN)

(**) Term: **15 Years**

(21) Appl. No.: **29/753,304**

(22) Filed: **Sep. 30, 2020**

(51) **LOC (13) Cl.** **10-04**

(52) **U.S. Cl.**
USPC **D10/46.2**

(58) **Field of Classification Search**
USPC D10/46.2, 46.3; D7/653, 691, 401.2,
D7/681, 692, 395; D30/162; D24/116
CPC G01F 19/002; G01F 19/00; A61J 7/0023
See application file for complete search history.

(56) **References Cited**

U.S. PATENT DOCUMENTS

D405,313 S *	2/1999	Kroscher	D7/395
D448,610 S *	10/2001	Saunders	D7/395
D452,631 S *	1/2002	Knorr	D7/395
D486,718 S *	2/2004	Goddert	D7/395
D508,371 S *	8/2005	Campbell	D7/395
D521,398 S *	5/2006	DiPietro	D10/46.2
D523,359 S *	6/2006	DiPietro	D10/46.2
D543,800 S *	6/2007	Kwan	D10/46.2
D615,886 S	5/2010	Pallotto		
D660,141 S *	5/2012	Zemel	D8/395
D686,873 S *	7/2013	Rae	D7/395

D692,324 S *	10/2013	Wong	D10/46.3
D692,721 S *	11/2013	Rae	D7/395
D854,949 S *	7/2019	Klipshtein	D10/46.3

OTHER PUBLICATIONS

Wildone 10-Piece Measuring Spoons Set, May 11, 2020, Amazon, <https://www.amazon.com/Wildone-Measuring-Including-Ingredients-Dishwasher/dp/B088FQD463> (Year: 2020).*

Good Cook Touch 4-Piece Stainless Steel Measuring Spoons Set, Apr. 2020, Walmart, <https://www.walmart.com/ip/Good-Cook-Touch-4-Piece-Stainless-Steel-Measuring-Spoons-Set/46868454> (Year: 2020).*

OXO Stainless Steel Measuring Spoons, 2013 (user review listed as 9 years ago), Target, <https://www.target.com/p/oxo-stainless-steel-measuring-spoons/-/A-13355790> (Year: 2013).*

* cited by examiner

Primary Examiner — Brett Miller

(57) **CLAIM**

The ornamental design for a measuring spoon, as shown and described.

DESCRIPTION

FIG. 1 is a front and top perspective view of a measuring spoon, showing my new design;

FIG. 2 is a rear and bottom perspective view thereof;

FIG. 3 is a front elevational view thereof;

FIG. 4 is a rear elevational view thereof;

FIG. 5 is a left side elevational view thereof;

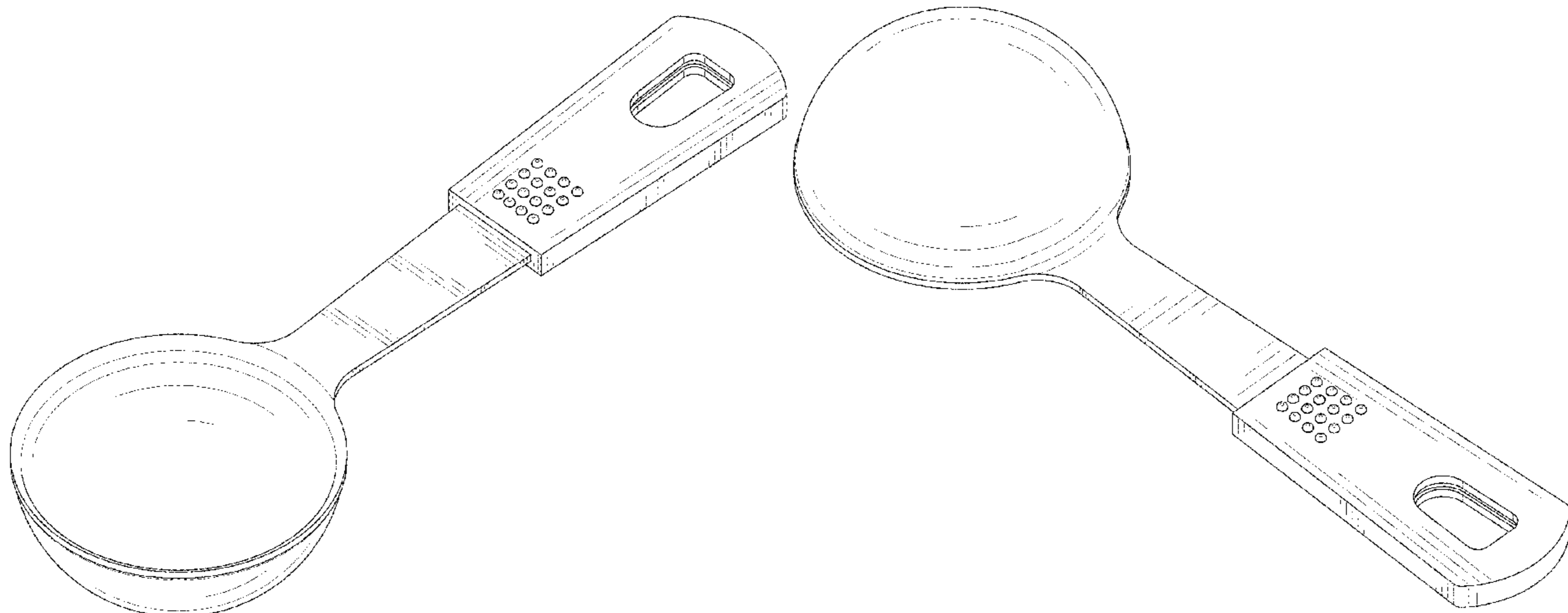
FIG. 6 is a right side elevational view thereof;

FIG. 7 is a top plan view thereof; and,

FIG. 8 is a bottom plan view thereof.

The broken lines in the figures illustrate portions of the article that form no part of the claimed design.

1 Claim, 8 Drawing Sheets



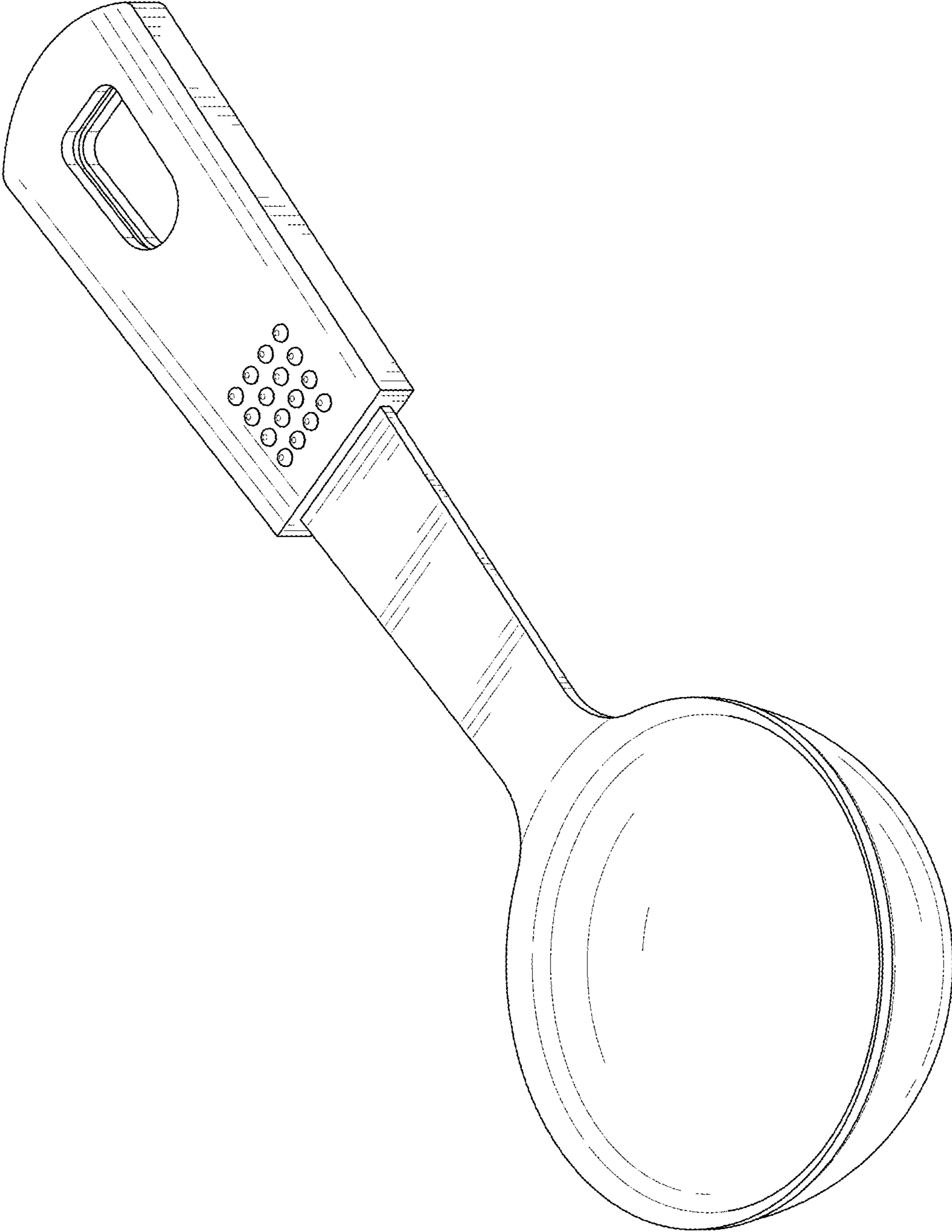


FIG. 1

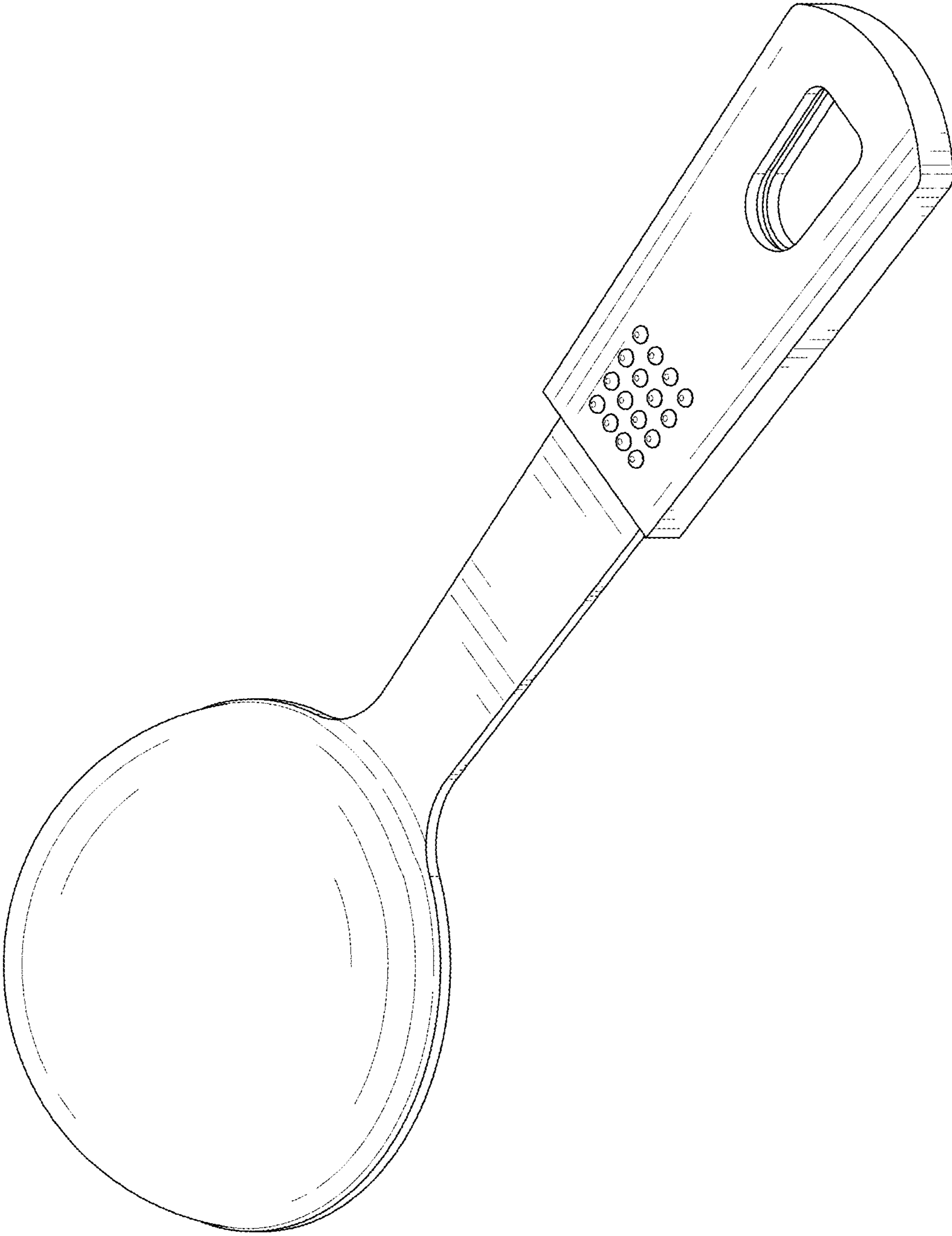


FIG. 2

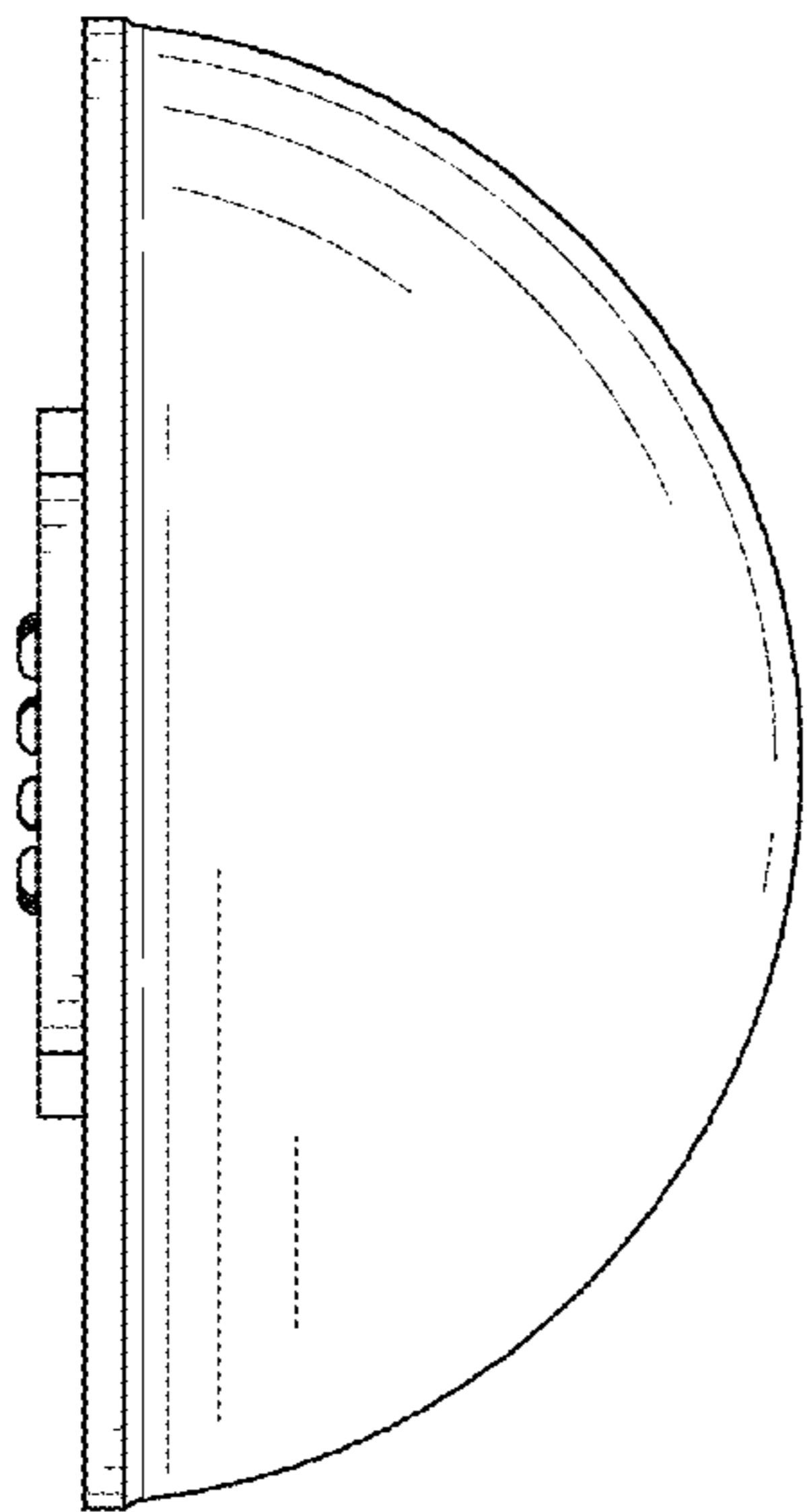


FIG. 3

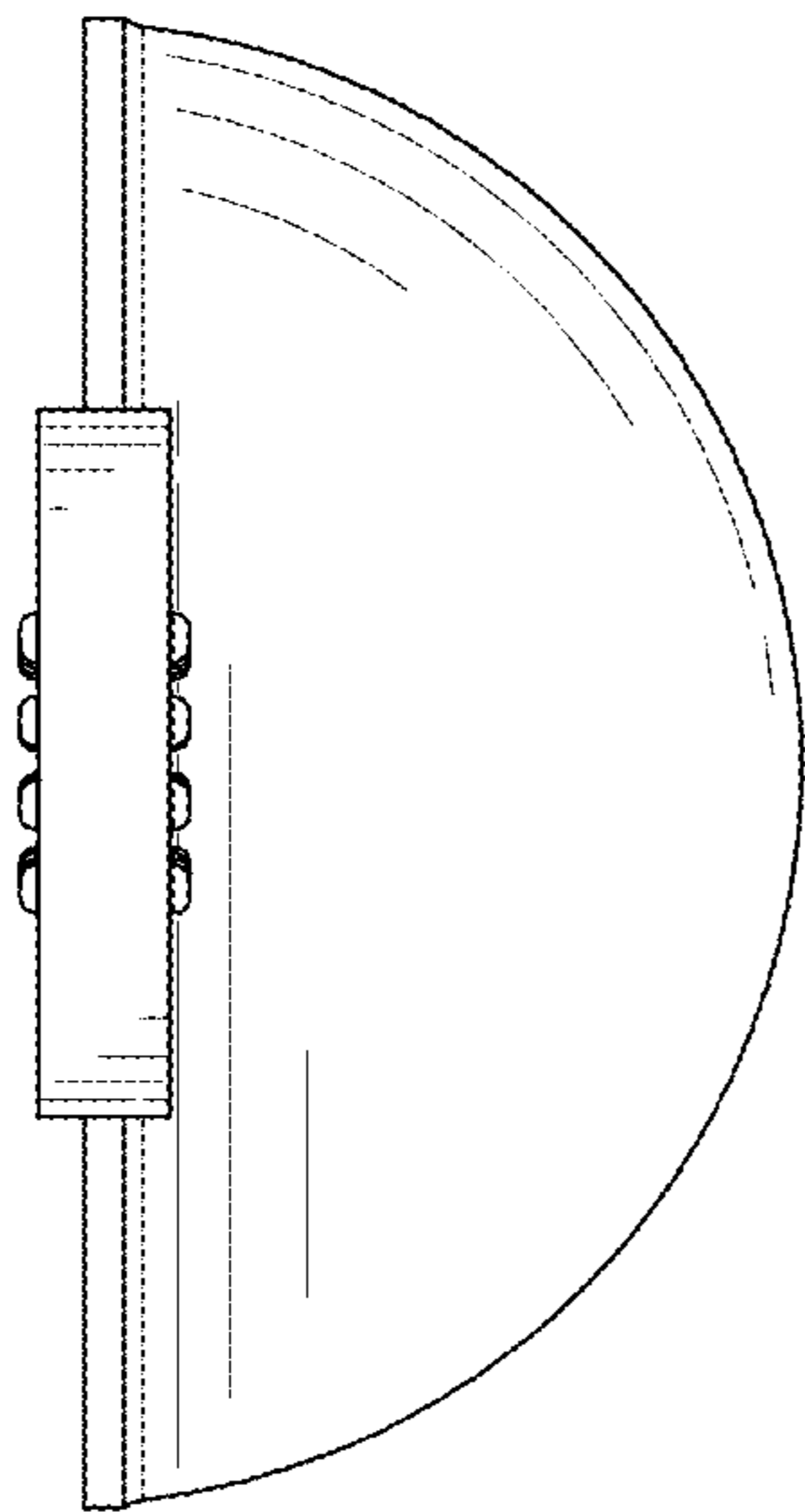


FIG. 4

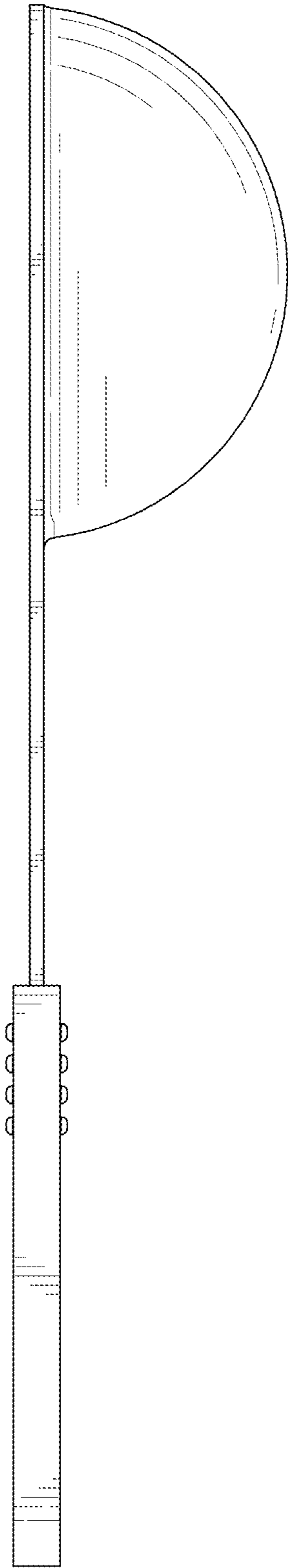


FIG. 5

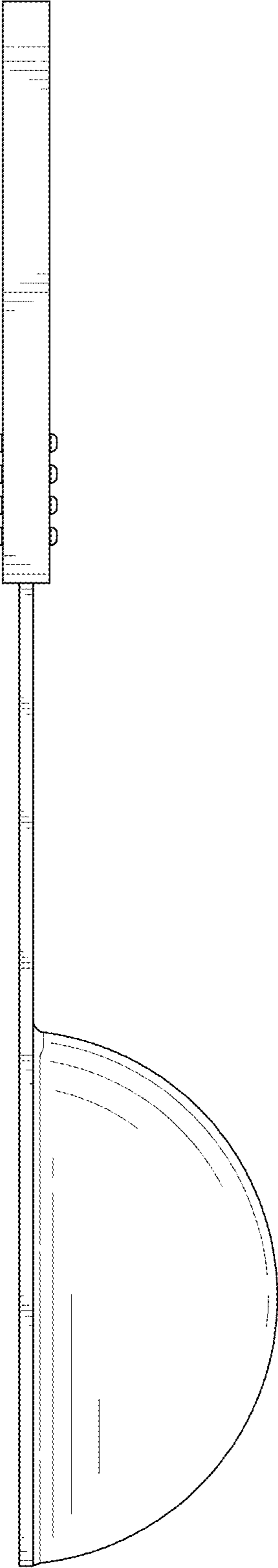


FIG. 6

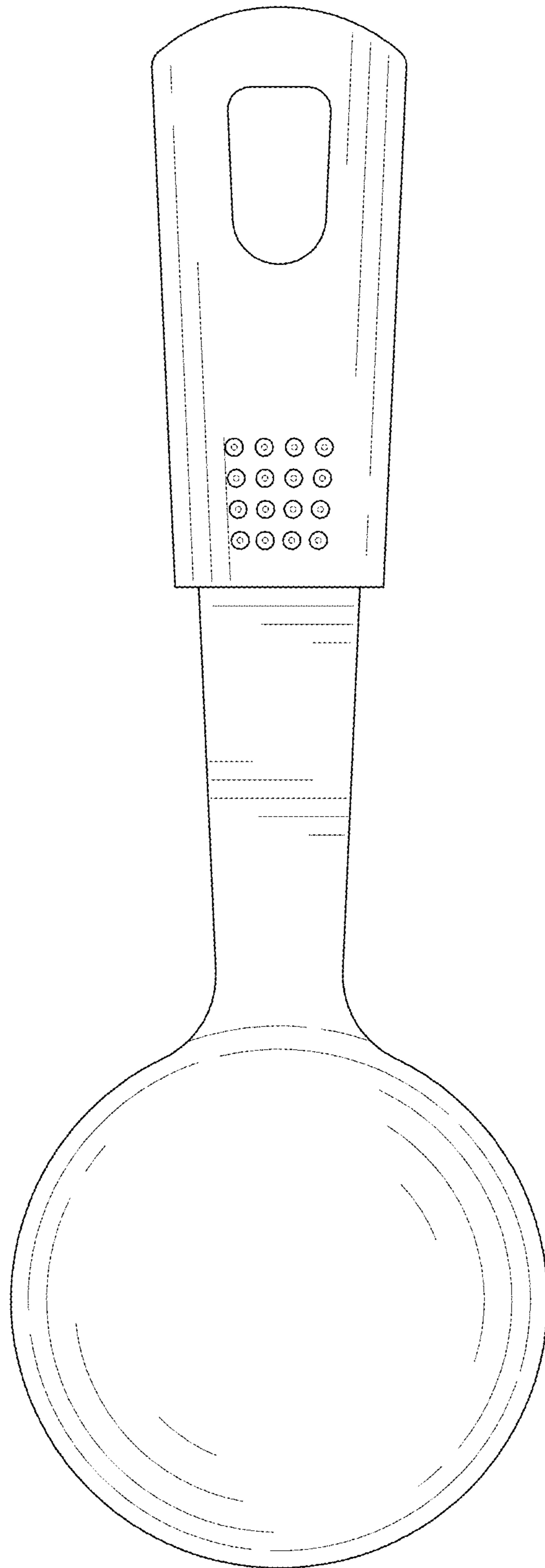


FIG. 7

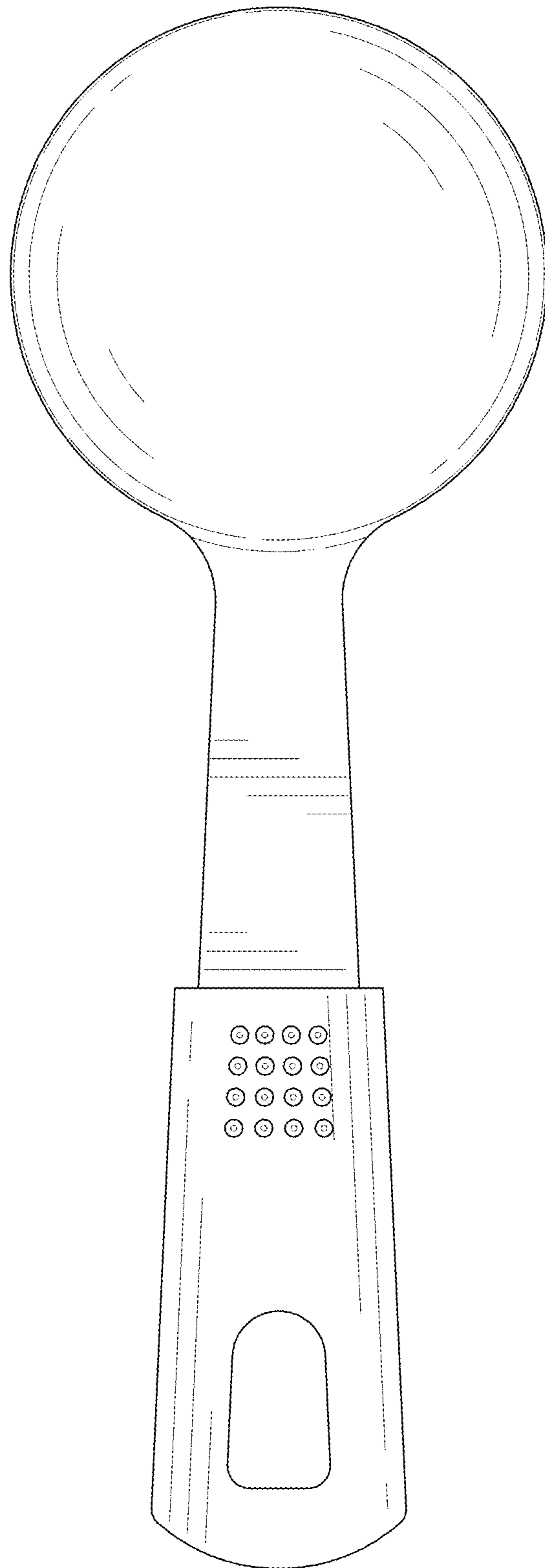


FIG. 8