



US00D932923S

(12) **United States Design Patent** (10) **Patent No.:** **US D932,923 S**
Lewis (45) **Date of Patent:** **** Oct. 12, 2021**

(54) **BOTTLE SYSTEM**

(71) Applicant: **Integrity Bottles LLC**, Santee, CA (US)

(72) Inventor: **Zachary Lewis**, Santee, CA (US)

(73) Assignee: **Integrity Bottles LLC**, Santee, CA (US)

(**) Term: **15 Years**

(21) Appl. No.: **29/726,767**

(22) Filed: **Mar. 5, 2020**

(51) **LOC (13) Cl.** **09-03**

(52) **U.S. Cl.**
USPC **D9/719**; D9/516

(58) **Field of Classification Search**
USPC D9/500, 516, 524, 719, 723, 724, 727, D9/730, 741; D3/202; D7/509, 513
CPC B65D 23/12; B65D 51/24; B65D 51/28; B65D 1/04; B65D 51/242; B65D 23/003; B65D 41/0435; B65D 41/0492; B65D 21/0237

See application file for complete search history.

(56) **References Cited**

U.S. PATENT DOCUMENTS

6,253,945 B1 *	7/2001	Lee	A45D 34/00 220/23.86
D643,292 S *	8/2011	Cordero	D9/516
D649,883 S *	12/2011	Foster	D9/719
10,906,696 B1 *	2/2021	El-Alj	B65D 1/0246
2002/0092857 A1 *	7/2002	Chang	B65D 77/28 220/705
2007/0026112 A1 *	2/2007	Zimmerman	B65D 81/32 426/106
2010/0006534 A1 *	1/2010	Dlouhy	B65D 23/12 215/383

2014/0059810 A1 *	3/2014	Miller	B65D 23/12 24/16 PB
2016/0122067 A1 *	5/2016	Torres	B65D 47/30 215/6
2016/0214764 A1 *	7/2016	Cukman	B65D 23/12
2017/0225821 A1 *	8/2017	Hynes	B65D 21/0237
2018/0008900 A1 *	1/2018	Miller	A63H 33/00
2019/0092527 A1 *	3/2019	Giuli	B65D 55/16
2019/0344919 A1 *	11/2019	Ben Shoushan	B65D 81/32
2020/0399023 A1 *	12/2020	Buzot	A45D 34/042

* cited by examiner

Primary Examiner — Lauren R Calve
 (74) *Attorney, Agent, or Firm* — Troutman Pepper Hamilton Sanders LLP

(57) **CLAIM**

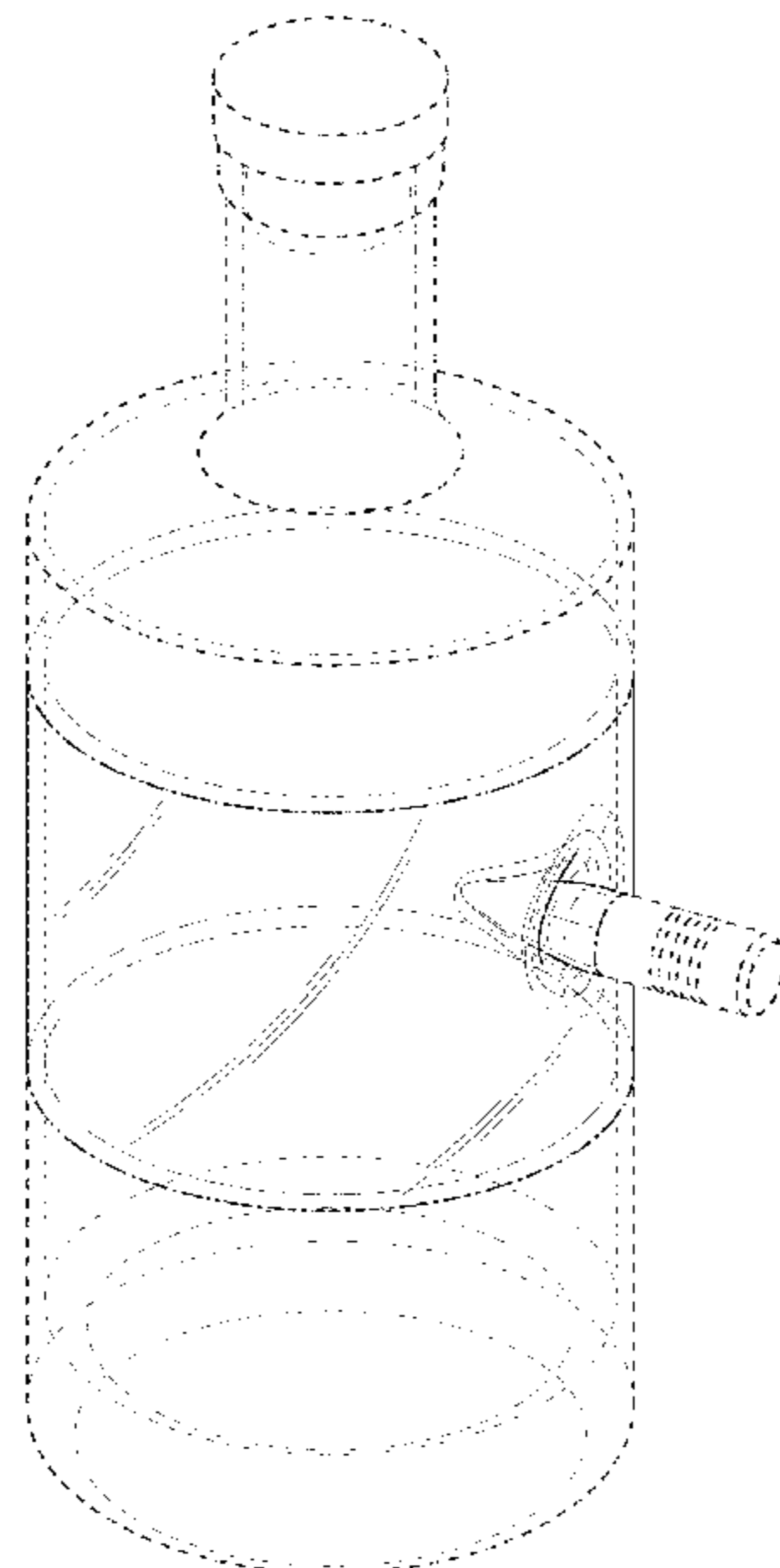
I claim the ornamental design for a bottle system, as shown and described.

DESCRIPTION

FIG. 1 is an upper perspective view of a bottle system; FIG. 2 is a lower perspective view thereof; FIG. 3 is a front view thereof; FIG. 4 is a rear view thereof; FIG. 5 is a left side view thereof; FIG. 6 is a right side view thereof; FIG. 7 is a top plan view thereof; and, FIG. 8 is a bottom plan view thereof.

The broken lines shown represent unclaimed subject matter and form no part of the claimed design. The shade lines shown represent surface shading and not surface ornamentation, color, or material type. The dot-dashed boundary lines shown do not form part of the claimed design. The bounds of the claimed design are defined with dot-dashed boundary lines when the boundary does not exist in reality in the article embodying the design. The claimed design extends to the boundary but does not include the boundary.

1 Claim, 8 Drawing Sheets



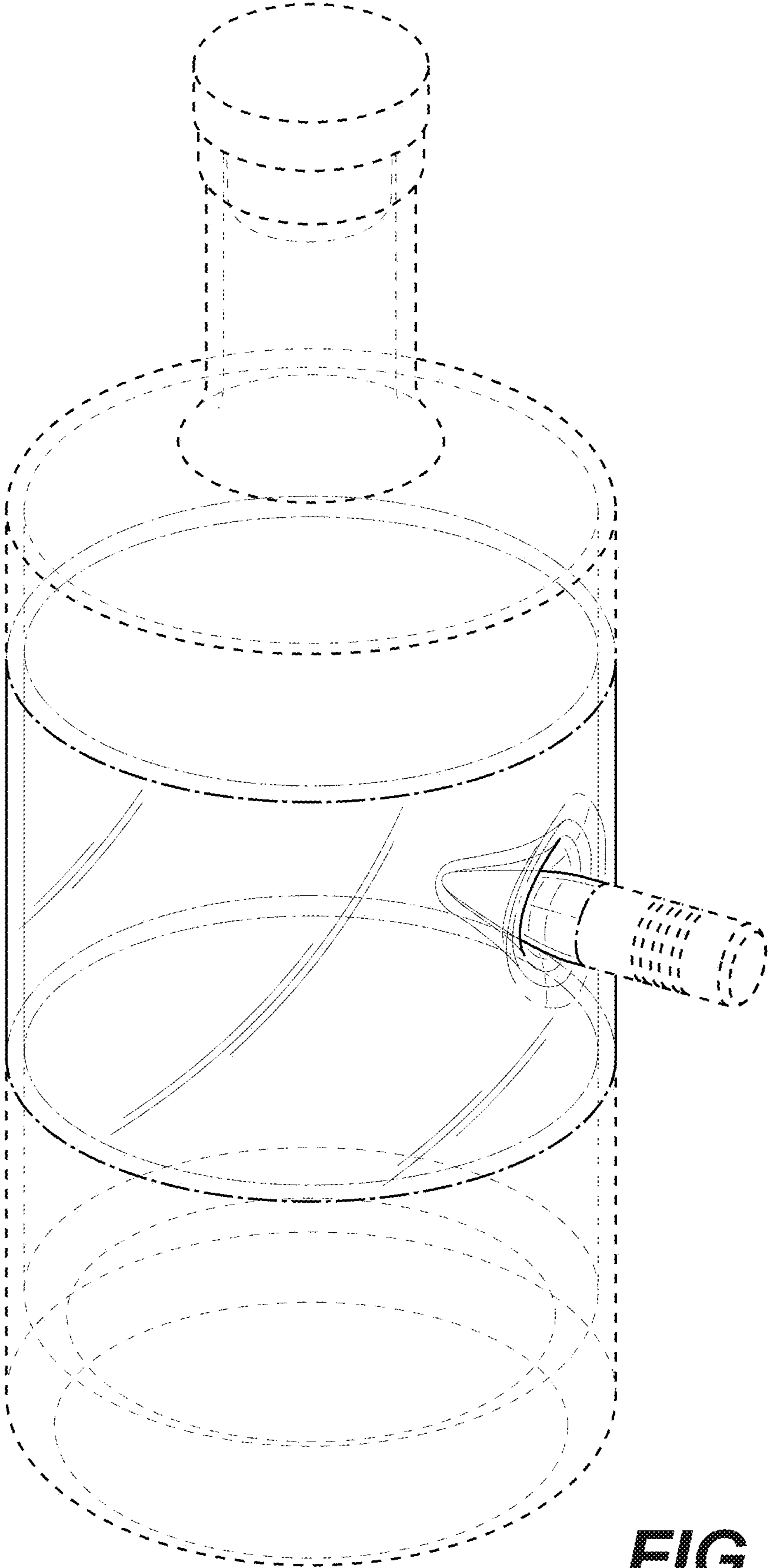


FIG. 1

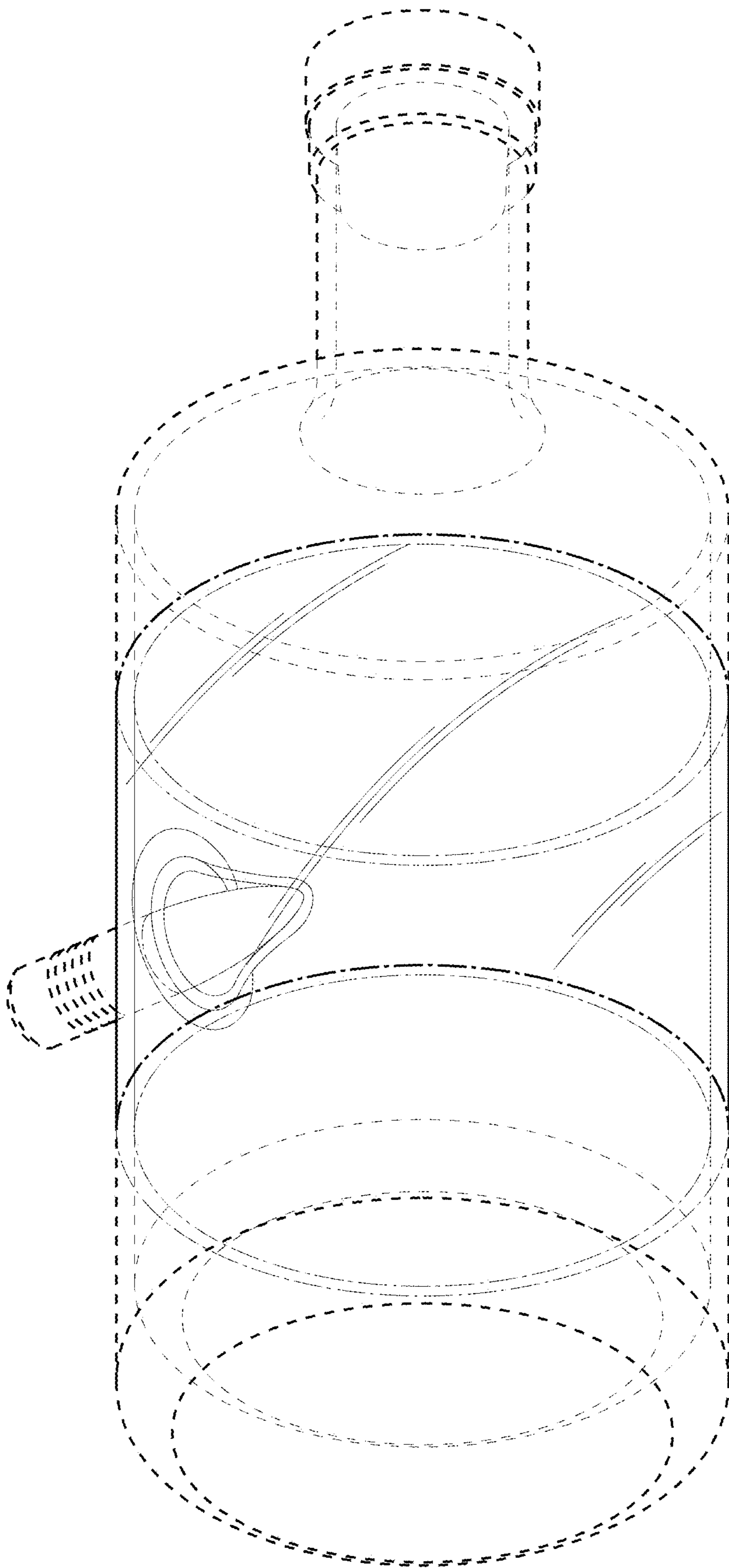


FIG. 2

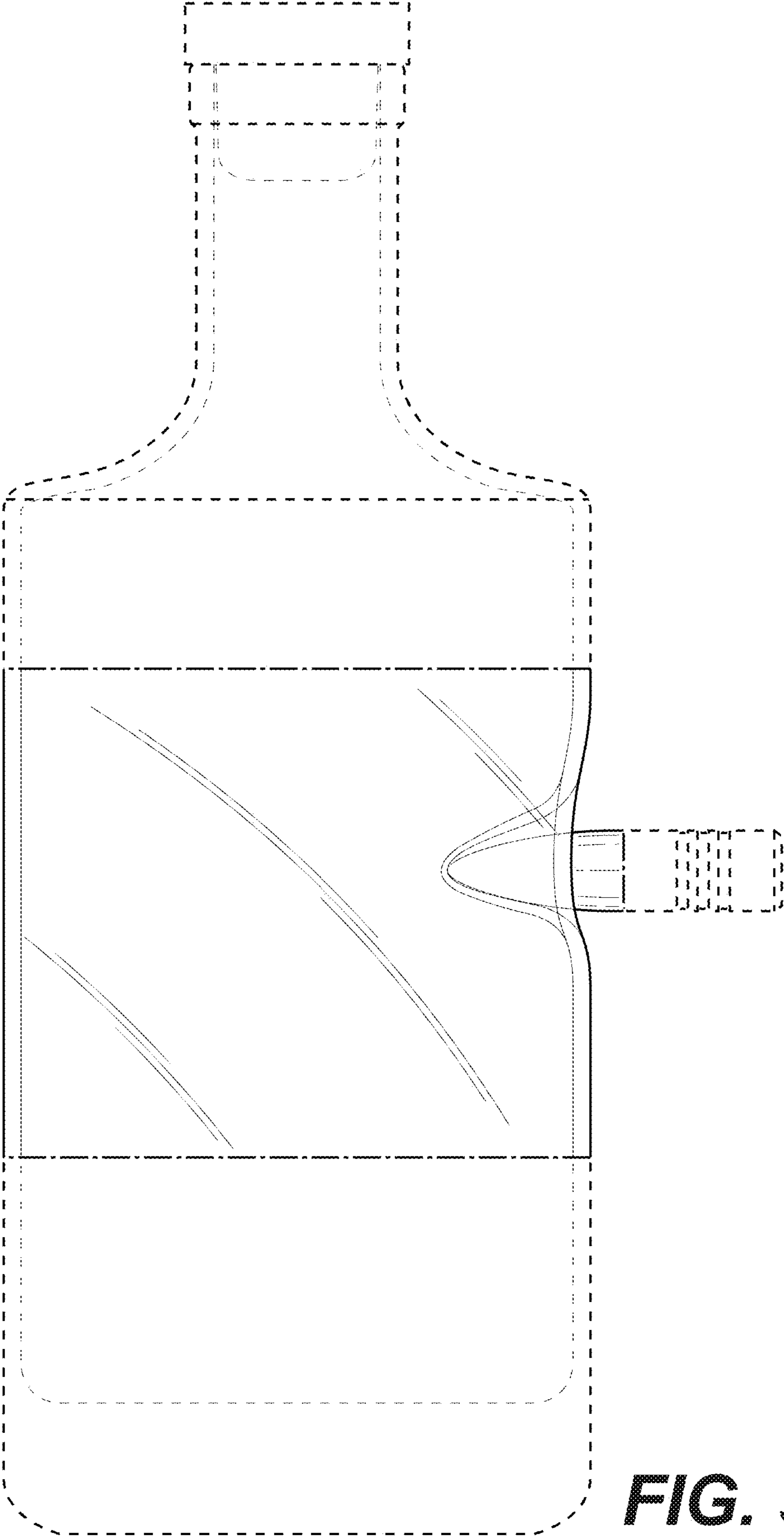


FIG. 3

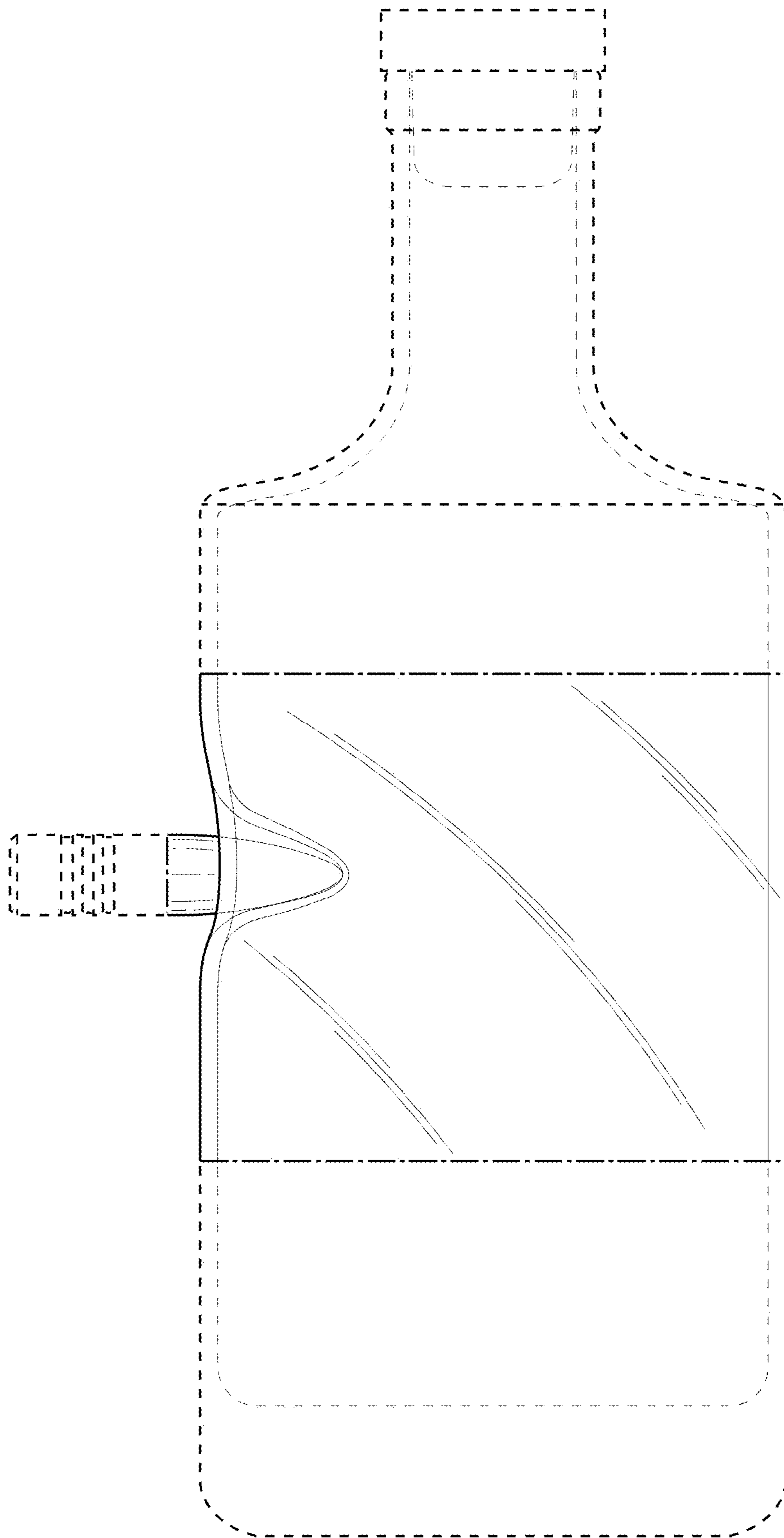


FIG. 4

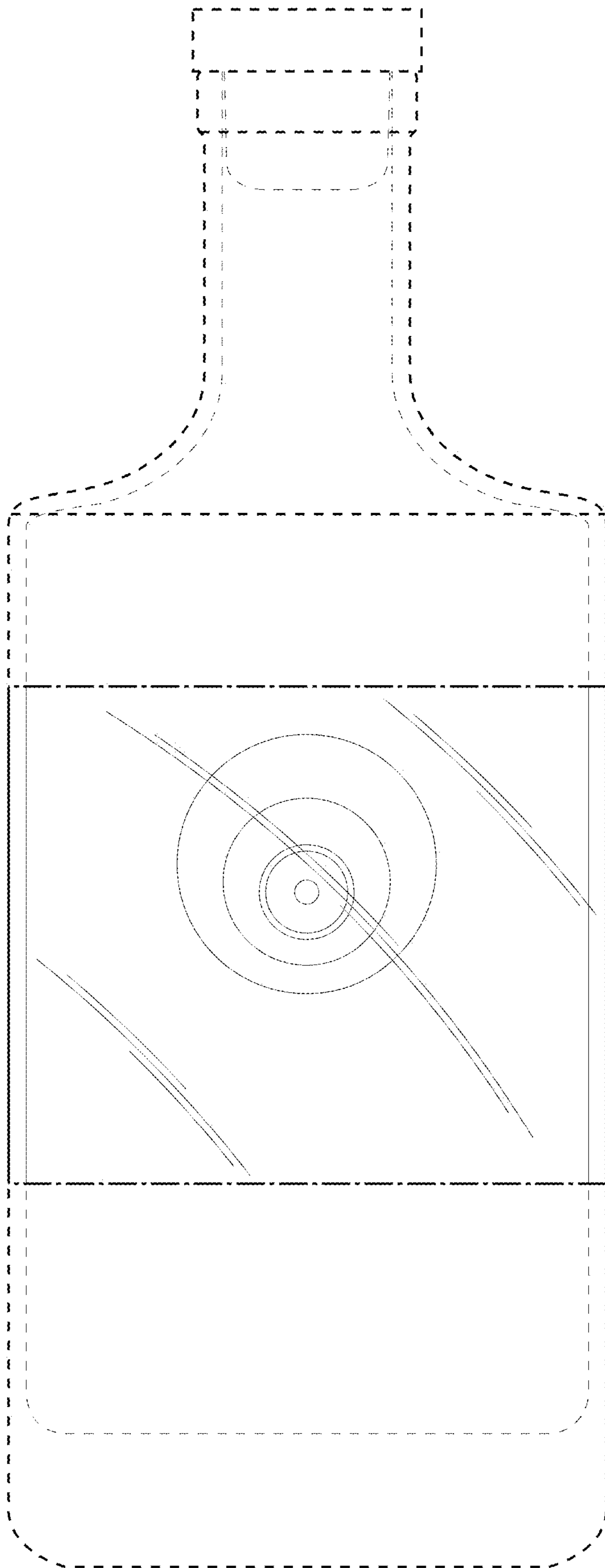


FIG. 5

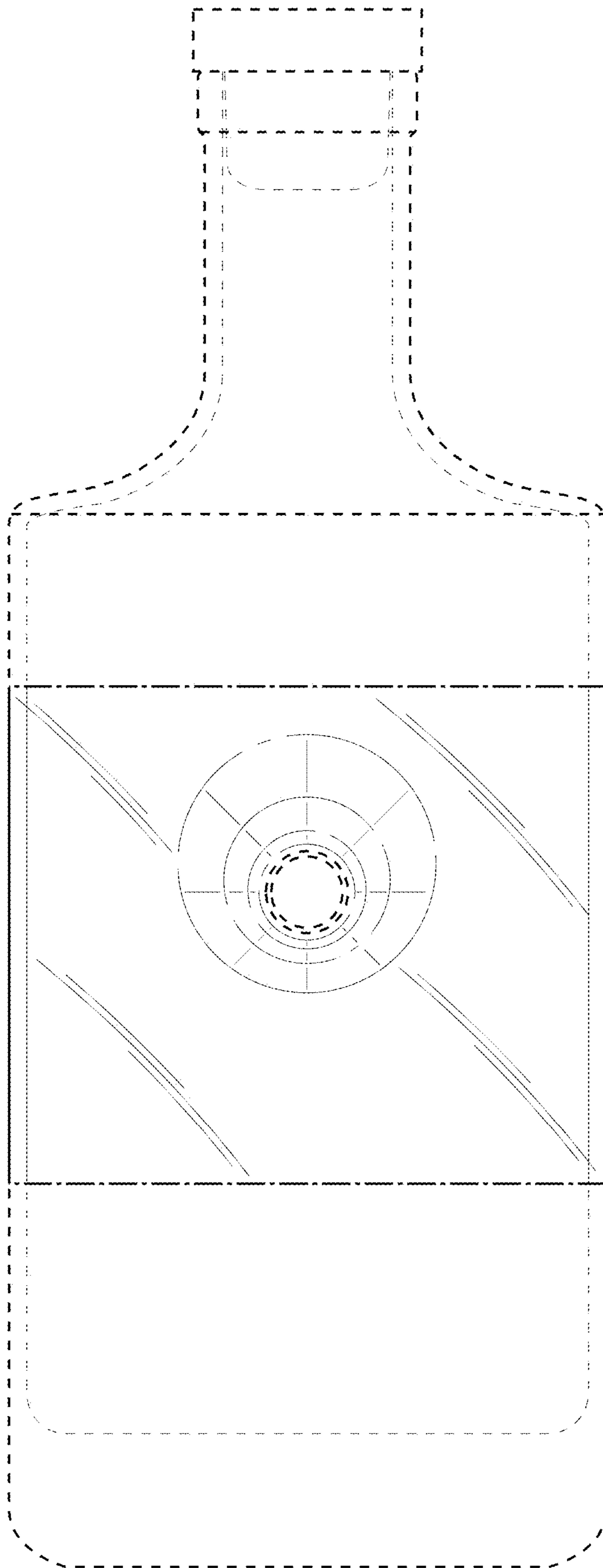


FIG. 6

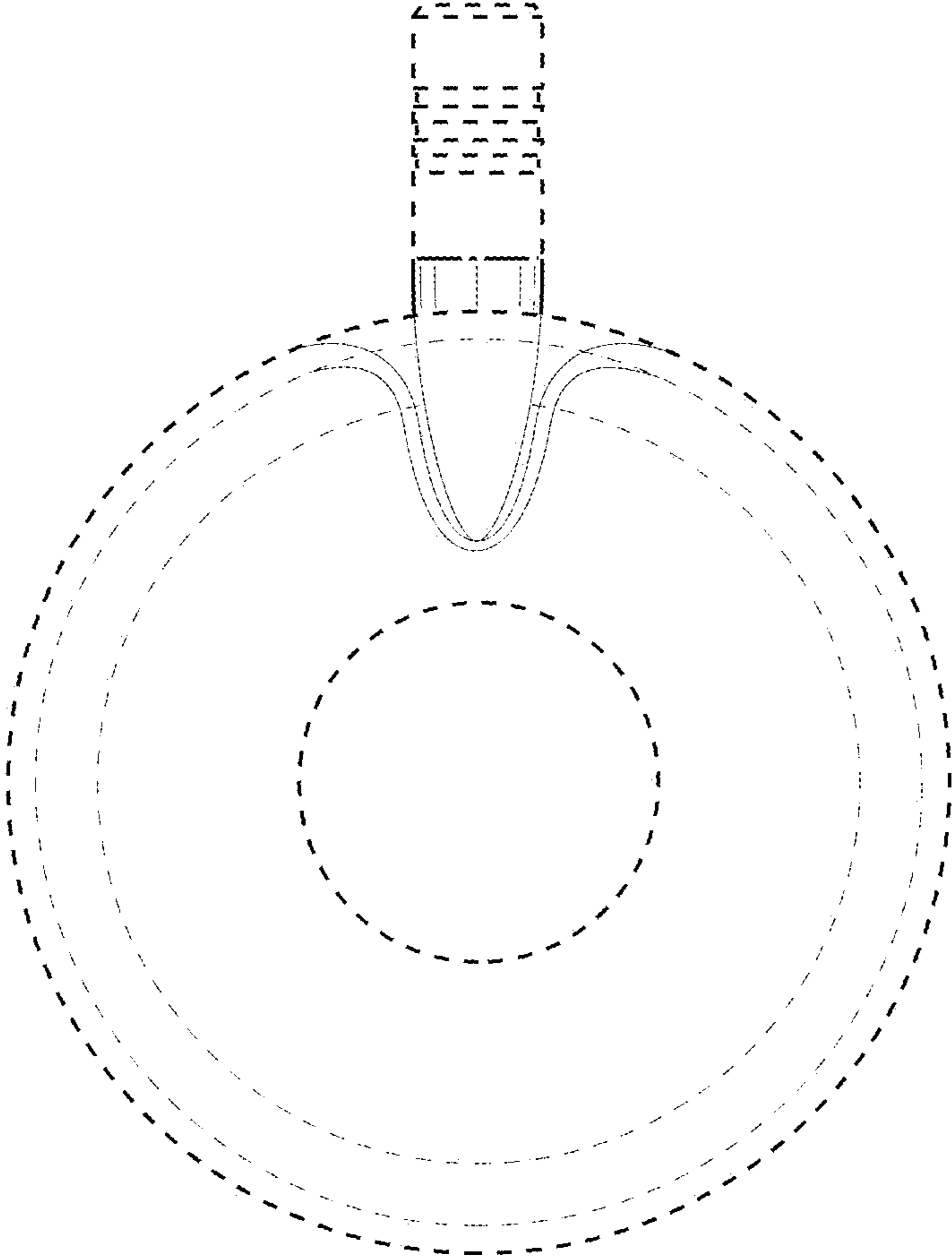


FIG. 7

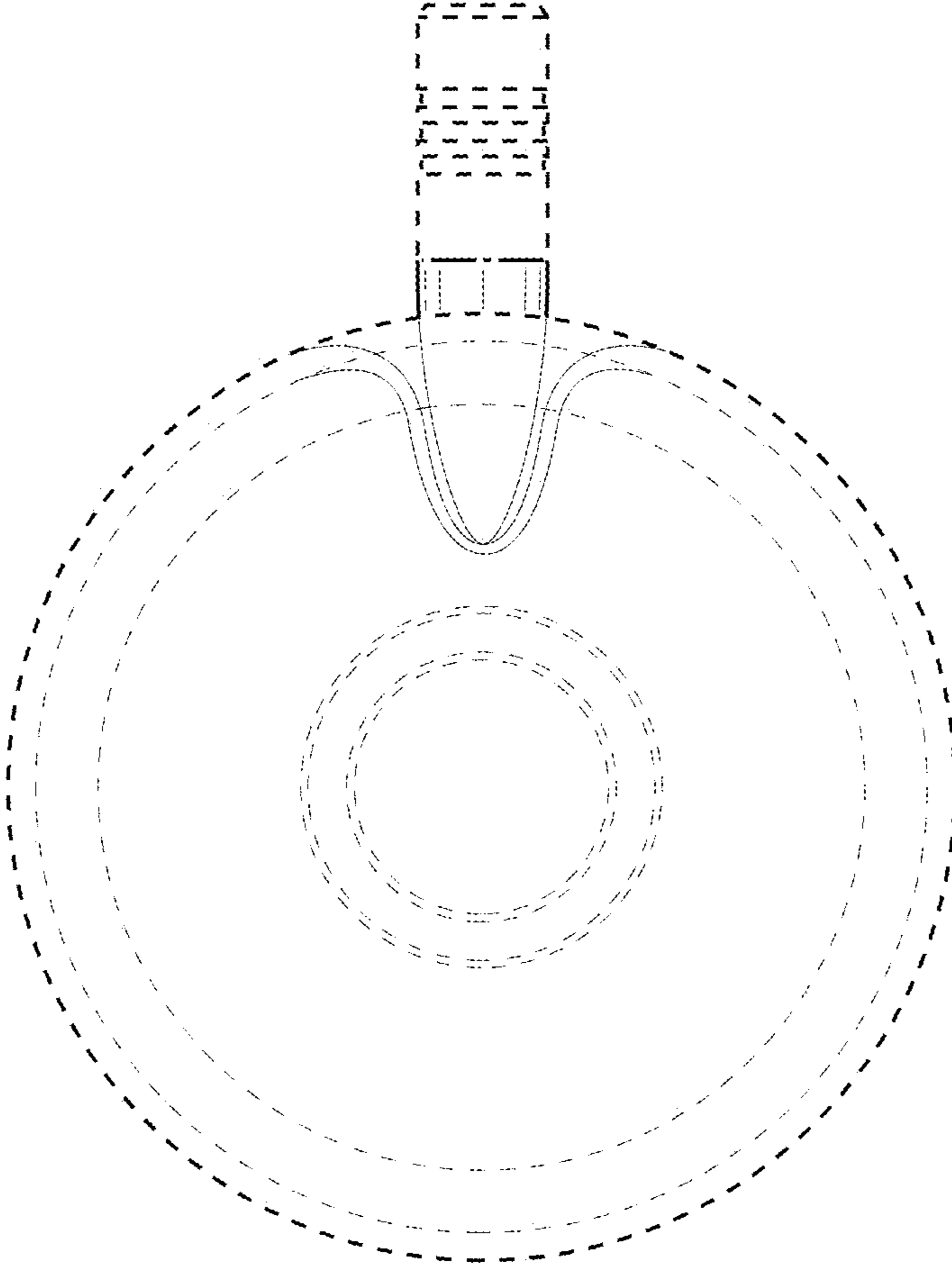


FIG. 8