



US00D932920S

(12) **United States Design Patent** (10) **Patent No.:** **US D932,920 S**
Slimane (45) **Date of Patent:** **** Oct. 12, 2021**

(54) **PERFUME BOTTLE**

(71) Applicant: **CELINE**, Paris (FR)

(72) Inventor: **Hedi Slimane**, Paris (FR)

(**) Term: **15 Years**

(21) Appl. No.: **35/508,350**

(22) Filed: **Jun. 27, 2019**

(80) **Hague Agreement Data**

Int. Filing Date: **Jun. 27, 2019**

Int. Reg. No.: **DM/205234**

Int. Reg. Date: **Jun. 27, 2019**

Int. Reg. Pub. Date: **Jan. 17, 2020**

(30) **Foreign Application Priority Data**

Dec. 27, 2018 (FR) 2018-5723

(51) **LOC (13) Cl.** **09-01**

(52) **U.S. Cl.**
USPC **D9/682; D9/571; D9/573**

(58) **Field of Classification Search**
USPC D9/530, 682, 685, 692-694, 569, 571,
D9/573

CPC B65D 23/00; B65D 23/08
See application file for complete search history.

(56) **References Cited**

U.S. PATENT DOCUMENTS

D244,579 S * 6/1977 Dinand D9/563
D313,749 S * 1/1991 Dinand D9/544
D325,166 S * 4/1992 Versace D9/544
D442,854 S * 5/2001 Weber D9/542
D451,377 S * 12/2001 Johnson D9/539
D464,874 S * 10/2002 Tune D9/682
D484,791 S * 1/2004 Sgariboldi D9/694
D485,165 S * 1/2004 Sgariboldi D9/694
D511,688 S * 11/2005 Baron D9/560
D532,699 S * 11/2006 Mouquet D9/694
D536,259 S * 2/2007 Herrmann D9/573

D538,675 S * 3/2007 Dalton D9/544
D546,192 S * 7/2007 Faillant Dumas D9/571
D586,226 S * 2/2009 Lloyd D9/546
D586,227 S * 2/2009 Caten D9/572
D628,494 S * 12/2010 Aebi D9/687
D656,838 S * 4/2012 Mouquet D9/652
D672,657 S * 12/2012 Hall D9/531
D702,560 S * 4/2014 DeMarco D9/694
D705,663 S * 5/2014 Guichot D9/544
D717,176 S * 11/2014 Gomez D9/560
D718,639 S * 12/2014 Guichot D9/663
D725,481 S * 3/2015 Tarbox D9/632
D727,156 S * 4/2015 Lavigne D9/516

(Continued)

OTHER PUBLICATIONS

Vogue. Celine Is Launching Its First Fragrance Collection by Hedi Slimane—Here’s Why Its a Big Deal. Aug. 20, 2019. <https://www.vogue.com/article/celine-fragrance-collection-gender-neutral-hedi-slimane> (Year: 2019).*

Primary Examiner — Darcey E Gottschalk

(57) **CLAIM**

The ornamental design for a perfume bottle, as shown and described.

DESCRIPTION

3.1 : is a front view of a perfume bottle, showing my new design;

3.2 : is a back view thereof;

3.3 : is a side view thereof, the opposite side being a mirror image thereof;

3.4 : is a perspective view thereof;

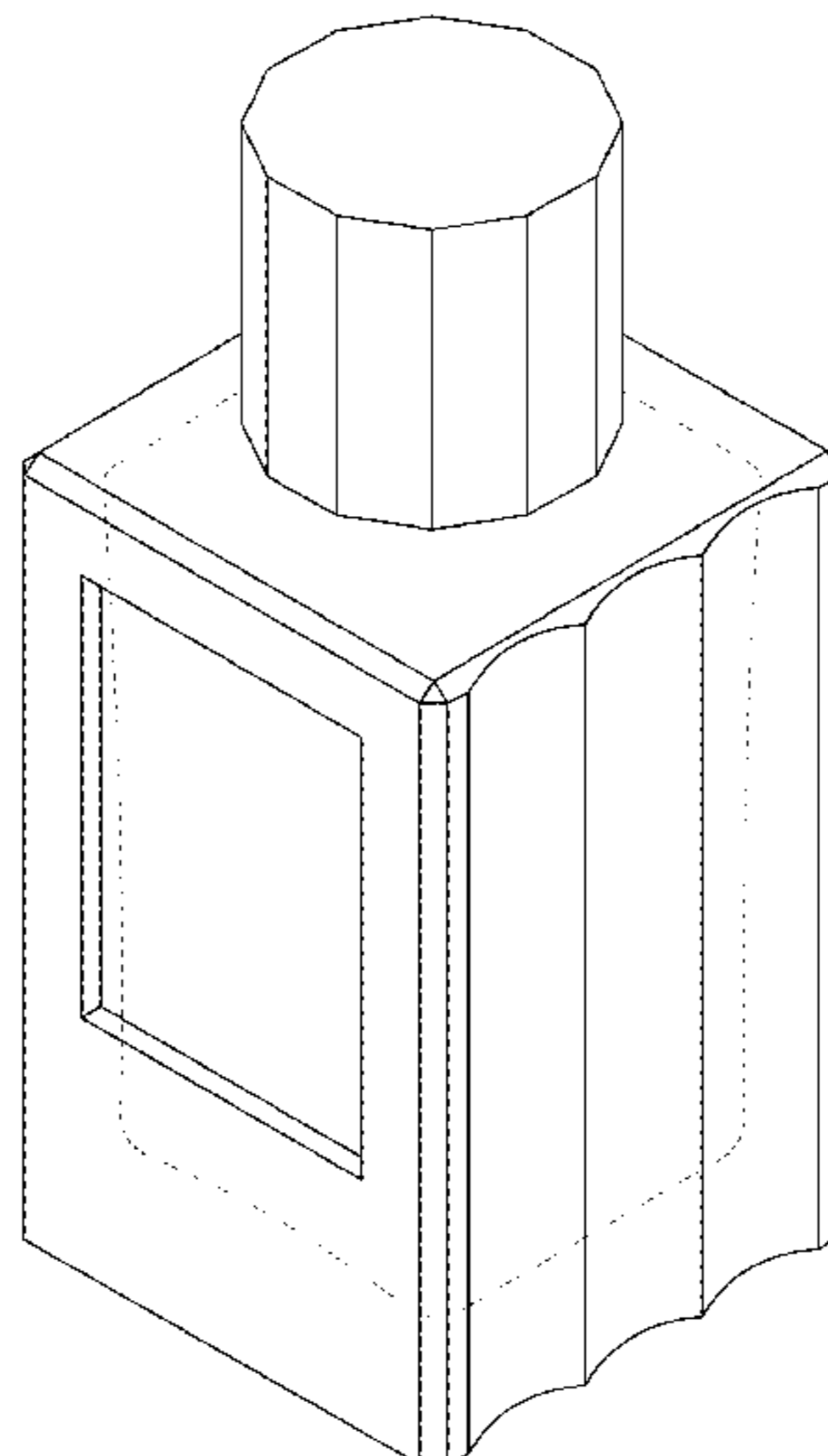
3.5 : is a top view thereof;

3.6 : is a bottom view thereof; and

3.7 : is a perspective view of a cap thereof shown removed from the perfume bottle for clarity of disclosure.

The perfume bottle is at least partially transparent. The lighter weight lines shown in Figs. **3.1-3.6** illustrate an interior portion of the perfume bottle.

1 Claim, 7 Drawing Sheets



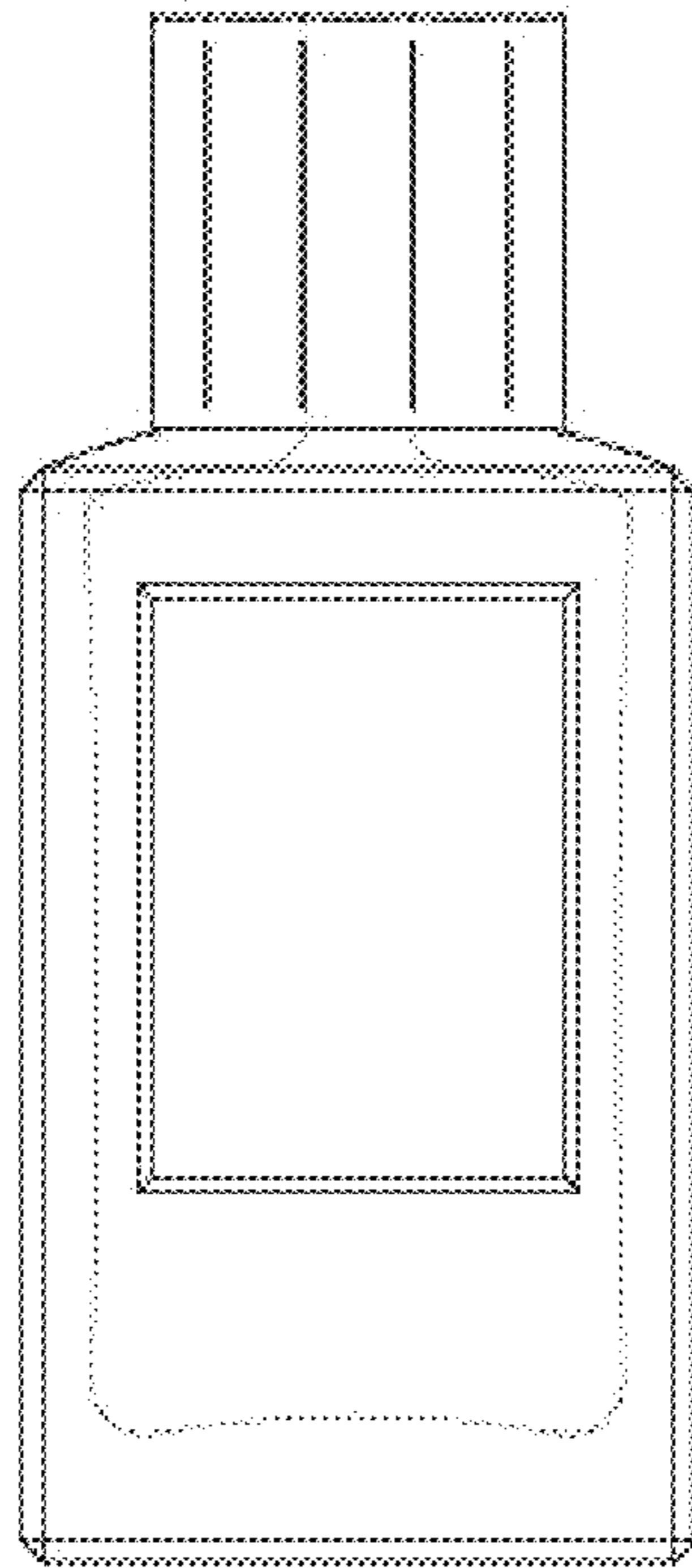
(56)

References Cited

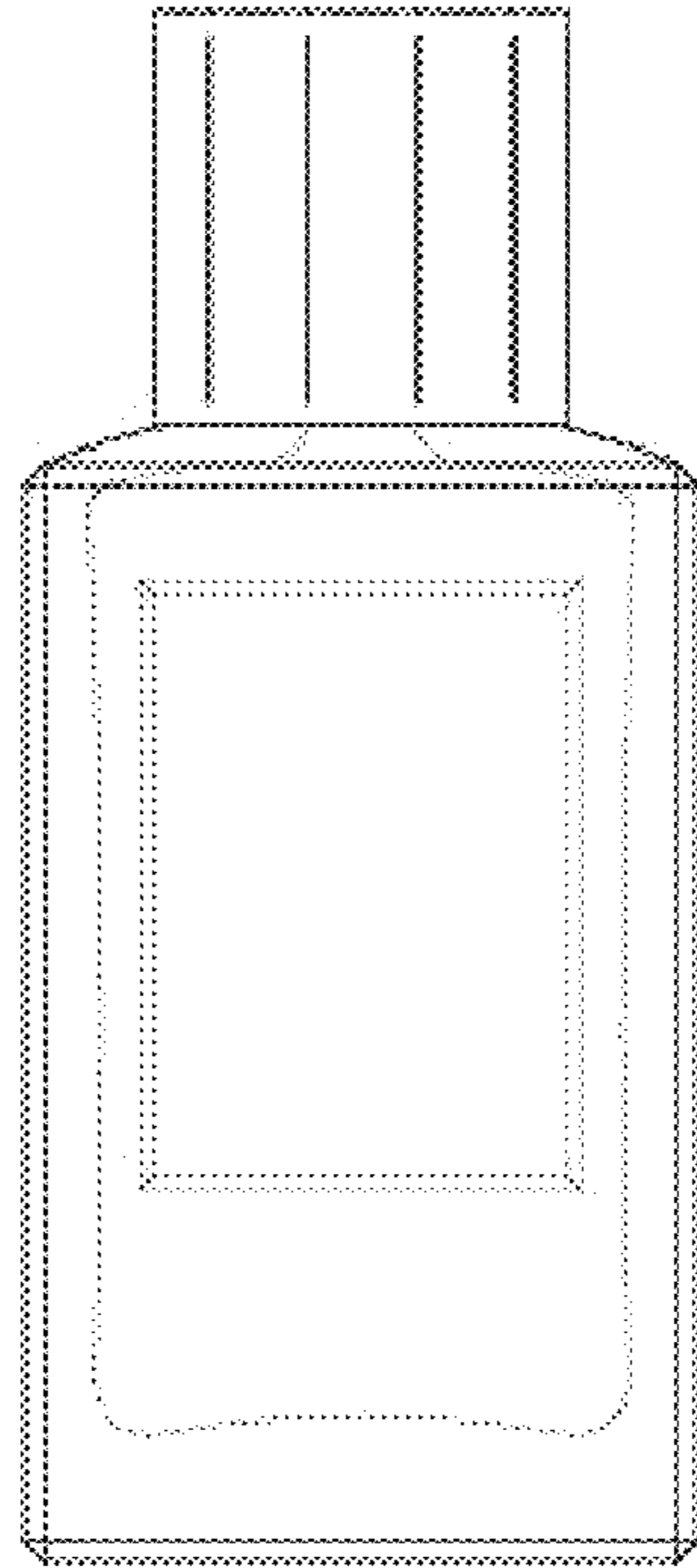
U.S. PATENT DOCUMENTS

D738,739 S * 9/2015 Chertoff D9/573
D842,705 S * 3/2019 Erceg D9/569
D852,050 S * 6/2019 Martone D9/560
D852,052 S * 6/2019 Dalton D9/566
D857,516 S * 8/2019 Lutens D9/682
D860,799 S * 9/2019 Vivas Carmen D9/529
D863,972 S * 10/2019 Staab D9/560
D881,018 S * 4/2020 Martone D9/646
D920,804 S * 6/2021 Davis D9/686
2010/0252573 A1 * 10/2010 Hetmaniok B05B 11/0054
222/105
2011/0036802 A1 * 2/2011 Ronsin B23K 26/40
215/12.2
2011/0233312 A1 * 9/2011 Ko B05B 11/06
239/589

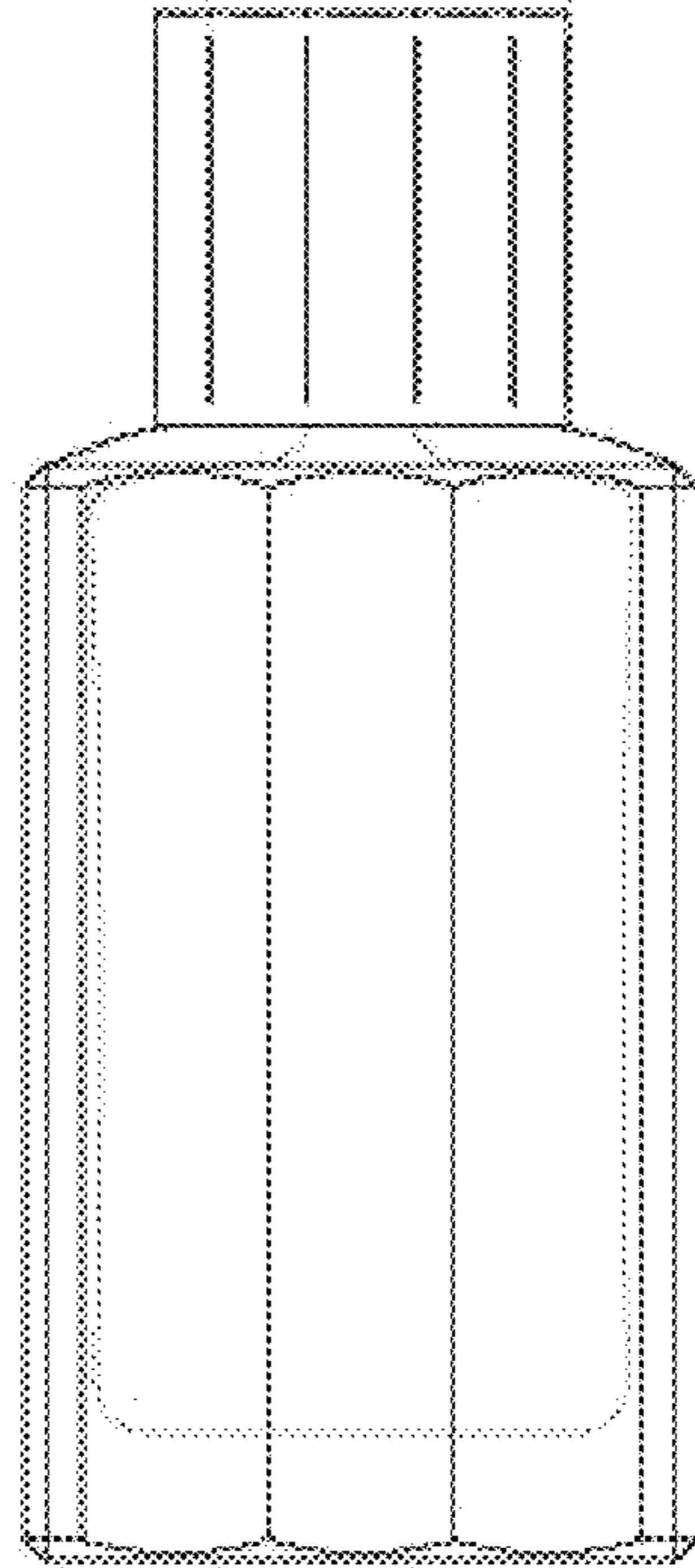
* cited by examiner



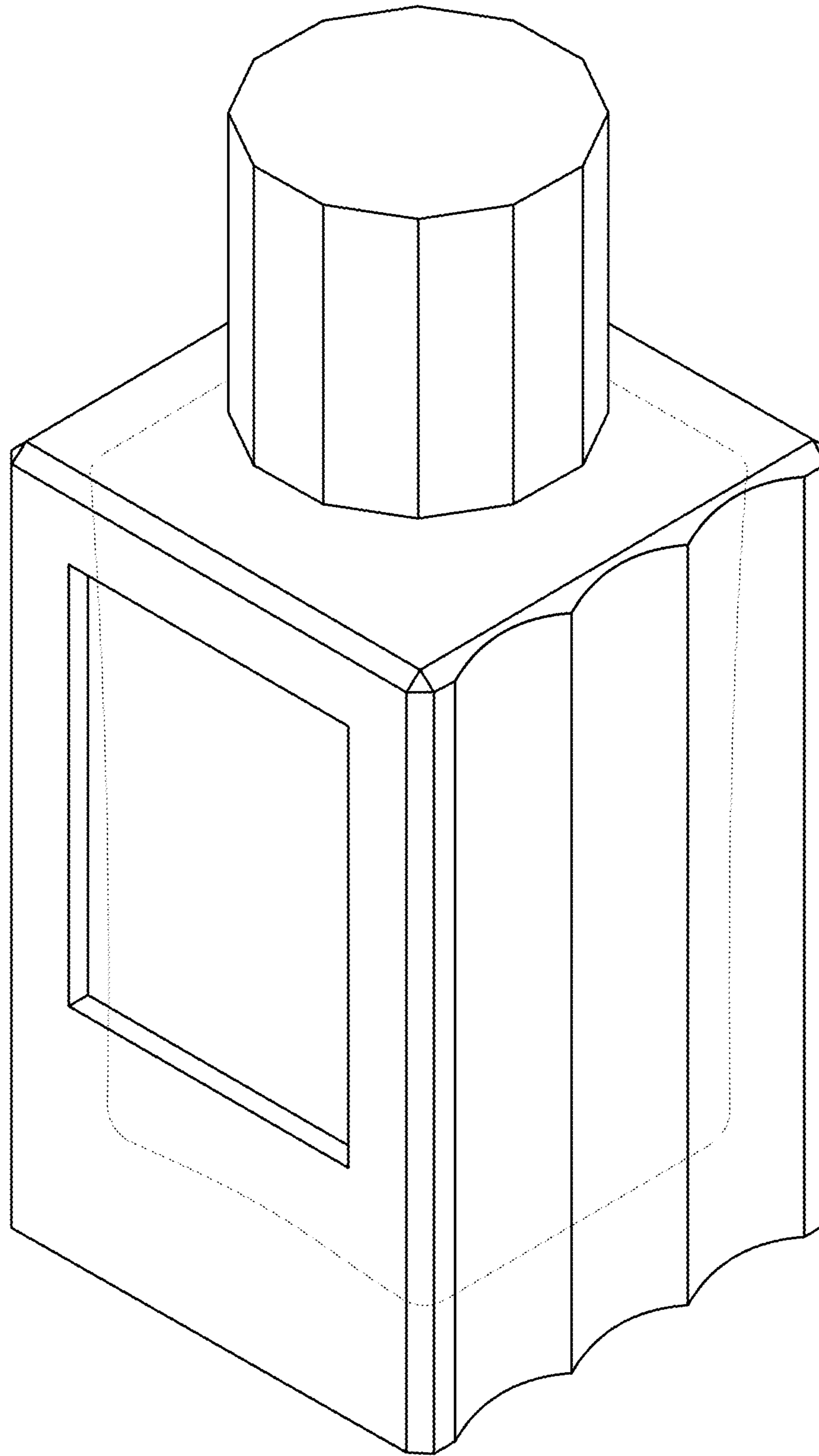
3.1



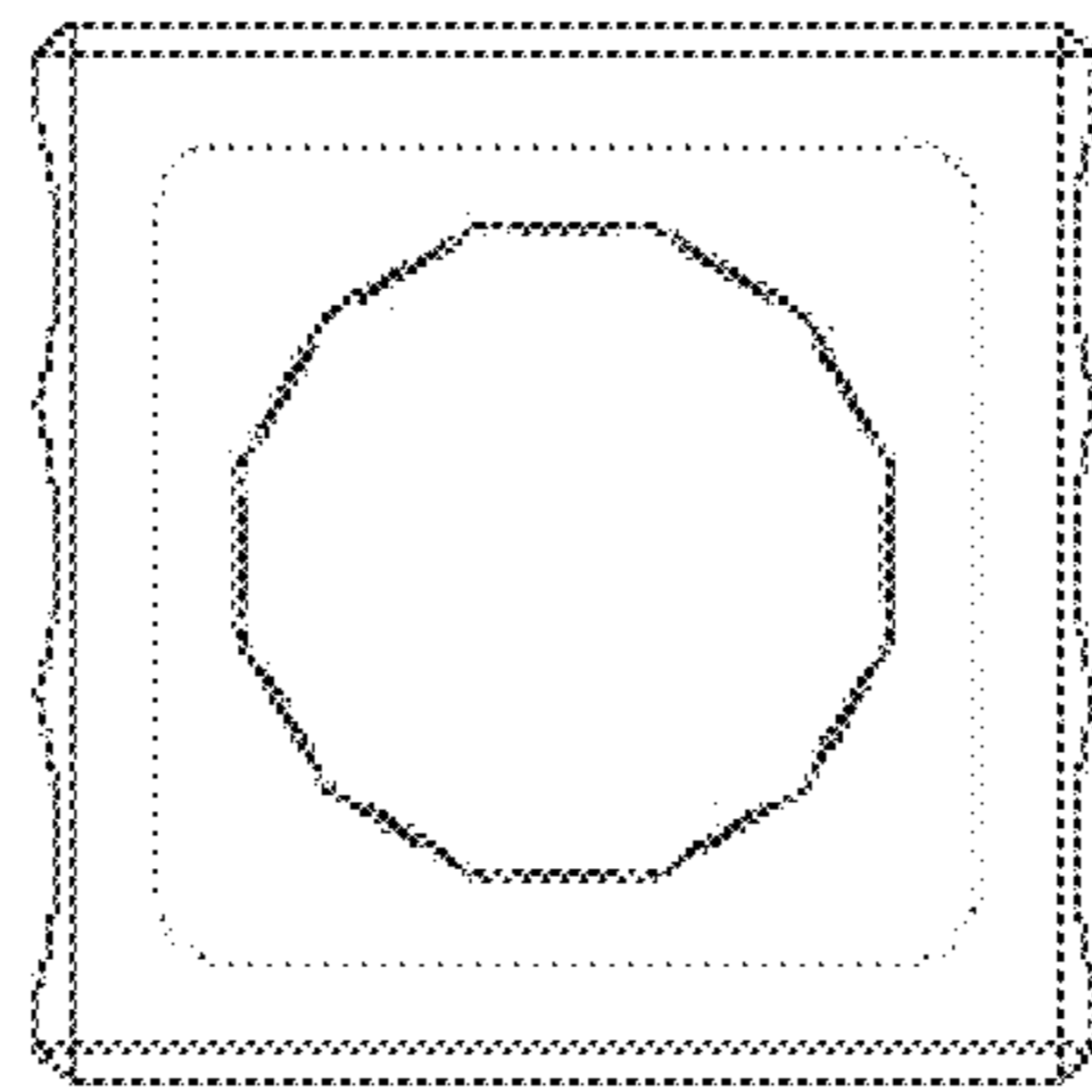
3.2



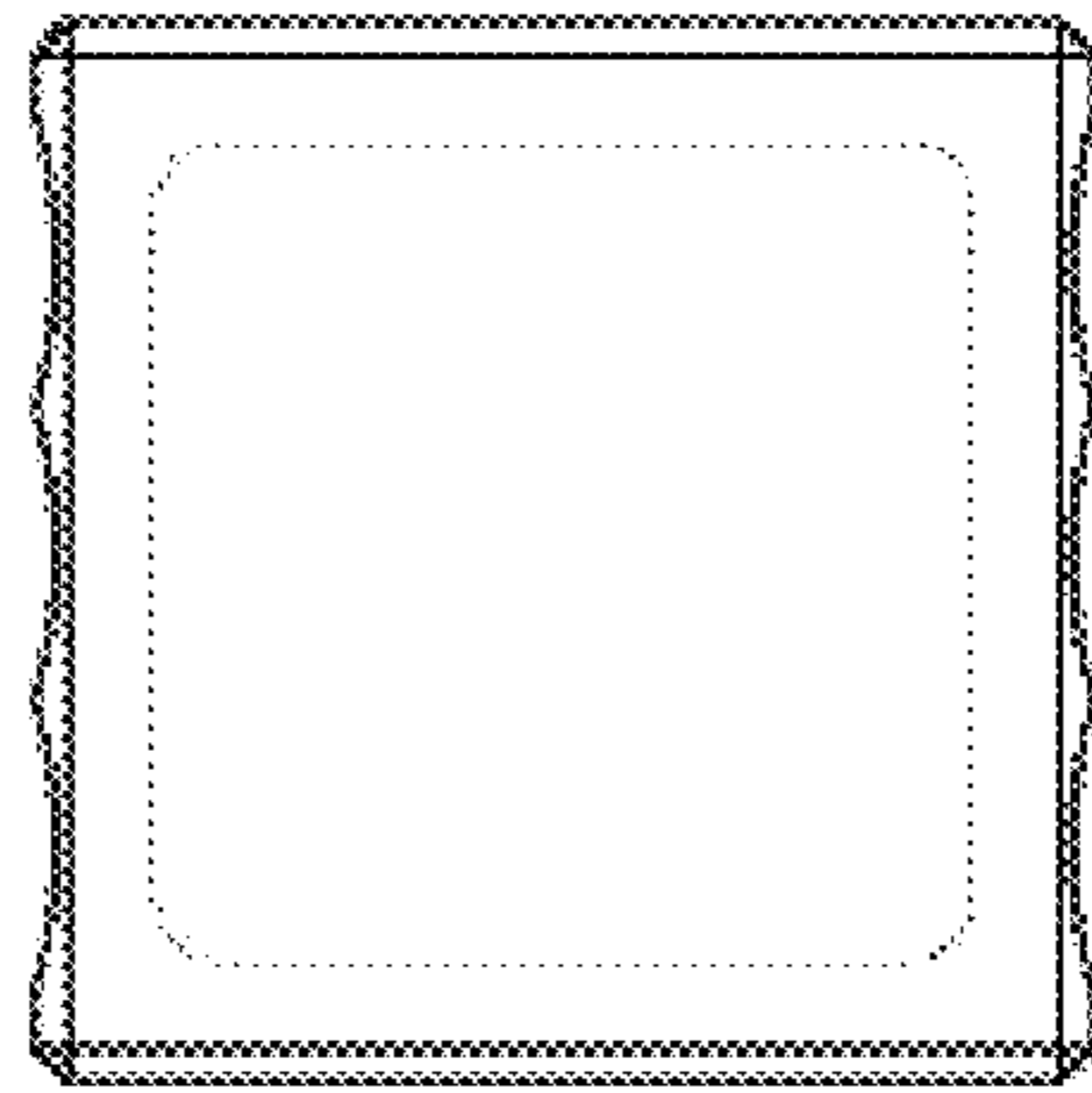
3.3



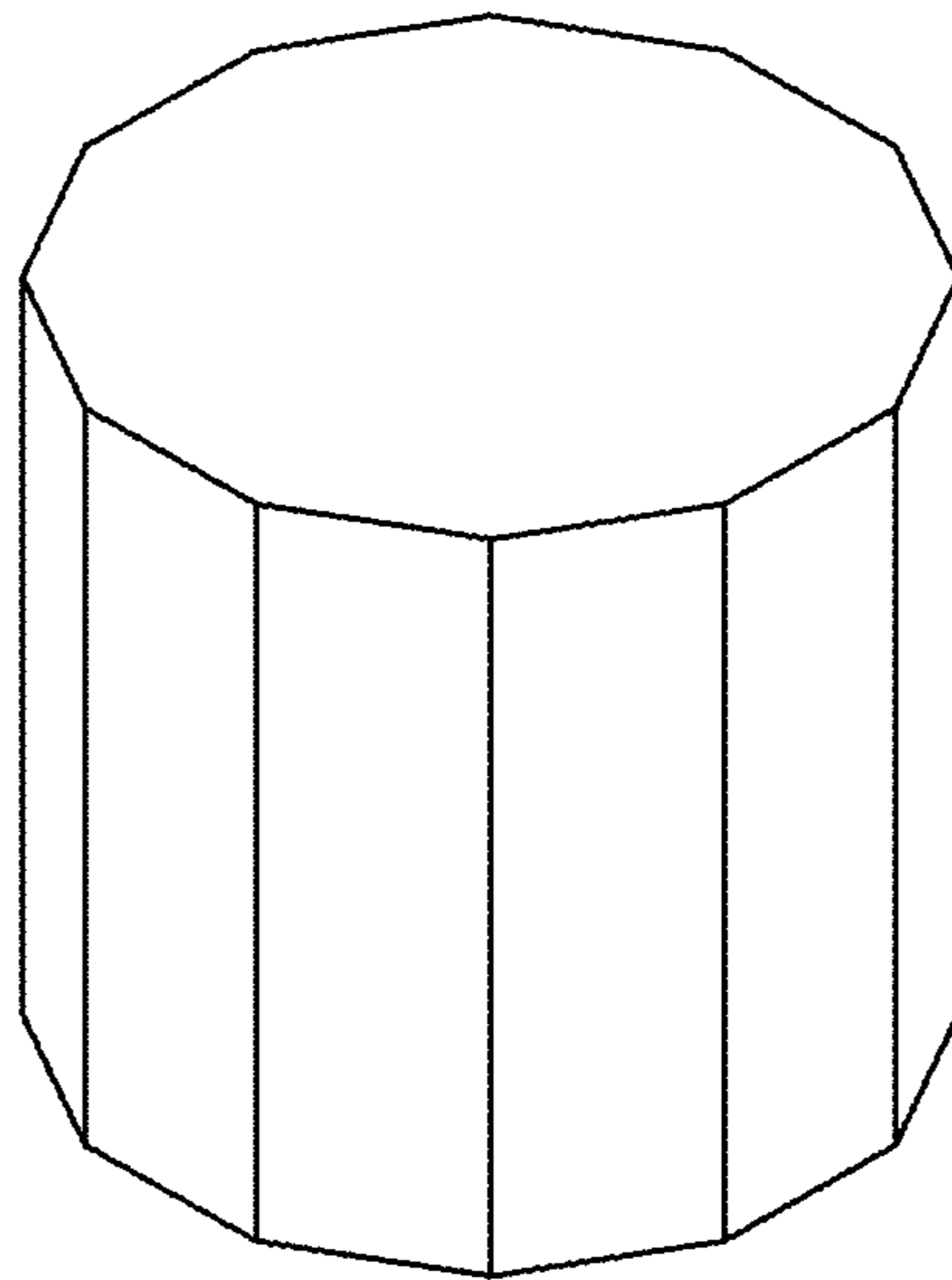
3.4



3.5



3.6



3.7