



US00D932918S

(12) **United States Design Patent** (10) **Patent No.:** **US D932,918 S**
Dinand et al. (45) **Date of Patent:** **** Oct. 12, 2021**

(54) **PERFUME BOTTLE**

(71) Applicant: **NOSE**, Paris (FR)

(72) Inventors: **Pierre Dinand**, Paris (FR); **Jules Dinand**, Paris (FR)

(**) Term: **15 Years**

(21) Appl. No.: **35/509,661**

(22) Filed: **Jan. 30, 2020**

(80) **Hague Agreement Data**

Int. Filing Date: **Jan. 30, 2020**

Int. Reg. No.: **DM/208688**

Int. Reg. Date: **Jan. 30, 2020**

Int. Reg. Pub. Date: **Jun. 19, 2020**

(51) **LOC (13) Cl.** **09-01**

(52) **U.S. Cl.**
USPC **D9/557; 556/454**

(58) **Field of Classification Search**

USPC D9/439, 500, 502, 503, 505, 544, 545,
D9/549, 554–558, 900, 600, 642, 653,
D9/723, 725, 434, 435, 441, 444, 445,
D9/454; D26/93, 110

CPC B21D 51/26; B21D 51/383; B29C 66/71;
B65D 1/00; B65D 1/02; B65D 1/12;
B65D 1/14; B65D 1/40; B65D 1/44;
B65D 1/023; B65D 1/0223; B65D 1/165;
B65D 1/238; B65D 1/246; B65D 1/253;
B65D 7/04; B65D 7/21; B65D 7/0209;
B65D 7/0233; B65D 25/00; B65D 25/28;
B65D 41/0457; B65D 41/17; B65D
53/06; B65D 75/56; B65D 79/005; B65D
2501/0036; B65D 2543/00064; B65D
2543/00074; B65D 2543/00083; B65D
2543/00092; B65D 2543/00101; B65D
2543/00111; Y10T 29/49826

See application file for complete search history.

(56) **References Cited**

U.S. PATENT DOCUMENTS

2,906,265	A *	9/1959	Samuels	A61M 11/008 128/200.23
D255,430	S *	6/1980	Strand	D9/439
D273,140	S *	3/1984	Mann	D26/93
D353,337	S *	12/1994	Halasz	D9/551
D419,716	S *	1/2000	Parrochia	D26/118
D532,305	S *	11/2006	Fellows	D9/503
D571,948	S *	6/2008	Chen	D26/118
D589,205	S *	3/2009	Sabernig	D26/104
D622,604	S *	8/2010	Wheeler	D9/556
D661,198	S *	6/2012	Duecker	D9/556
D746,508	S *	12/2015	Deluca	D26/118
D765,468	S *	9/2016	Yen	D7/392.1
D768,492	S *	10/2016	Kim	A61M 11/008 D9/453
D807,188	S *	1/2018	de Baschmakoff	D9/553
D821,884	S *	7/2018	Li	D9/556
D858,296	S *	9/2019	Shen	A61M 11/008 D9/556
D880,757	S *	4/2020	Laviani	D26/93
D908,433	S *	1/2021	Sapire	D7/531

* cited by examiner

Primary Examiner — Keli L Hill

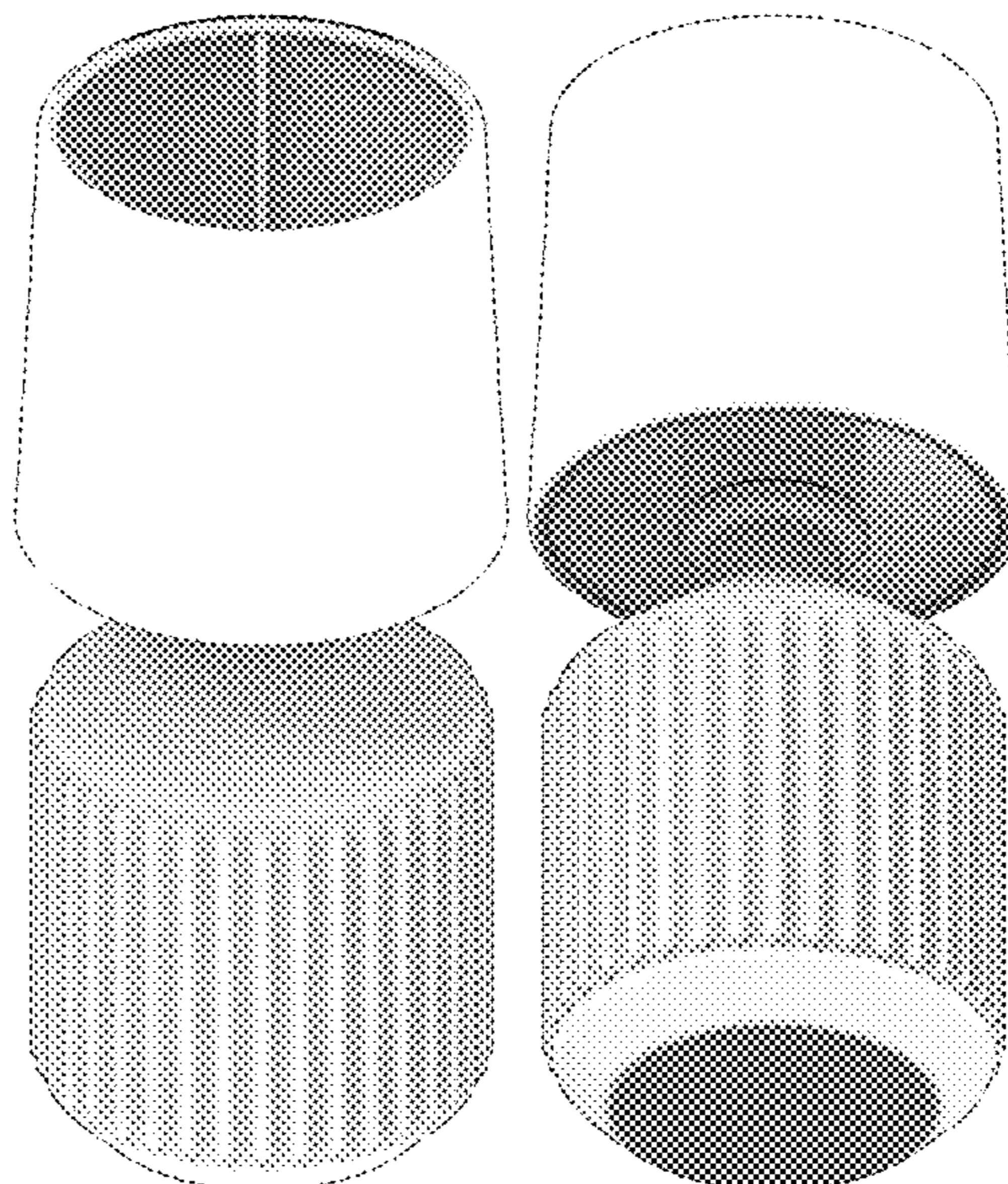
(57) **CLAIM**

The ornamental design for perfume bottle, as shown and described.

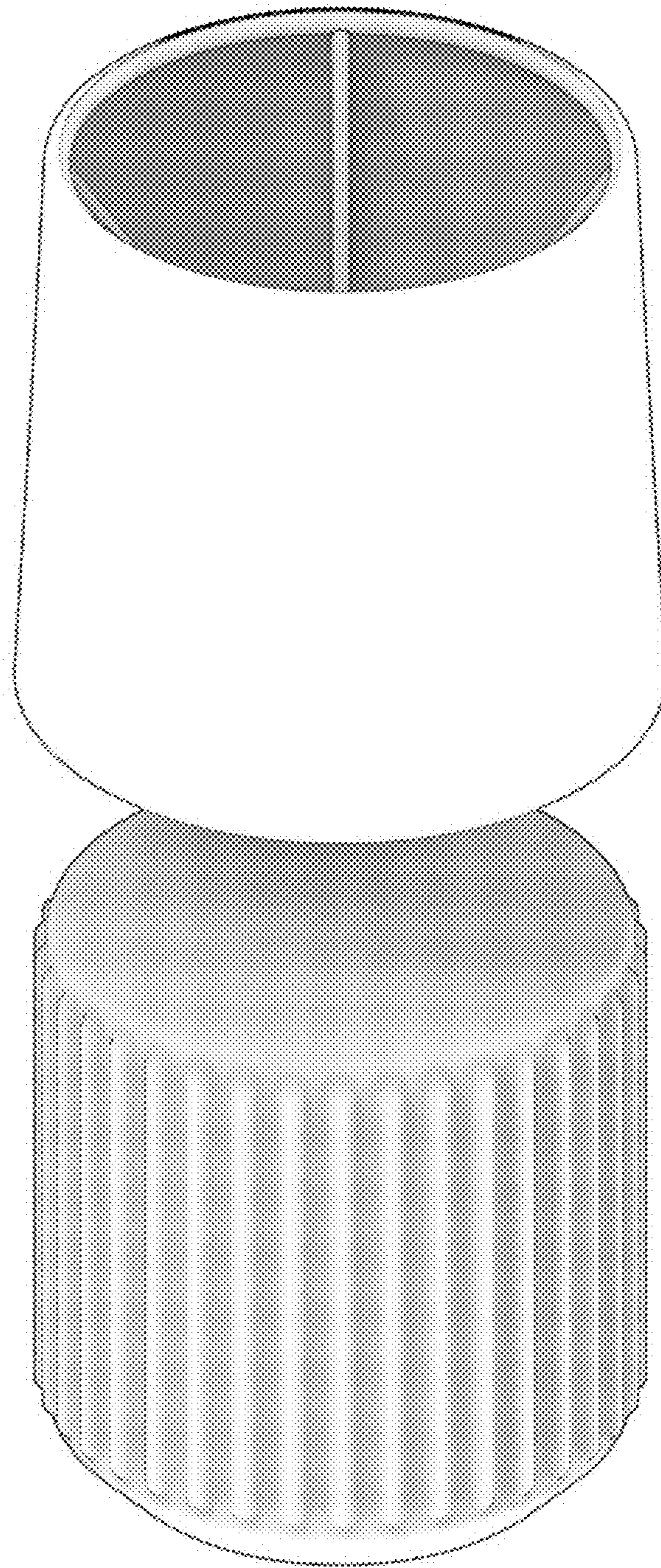
DESCRIPTION

- 1.1: Perspective
- 1.2 Perspective
- 1.3: Front
- 1.4: Top
- 1.5: Bottom

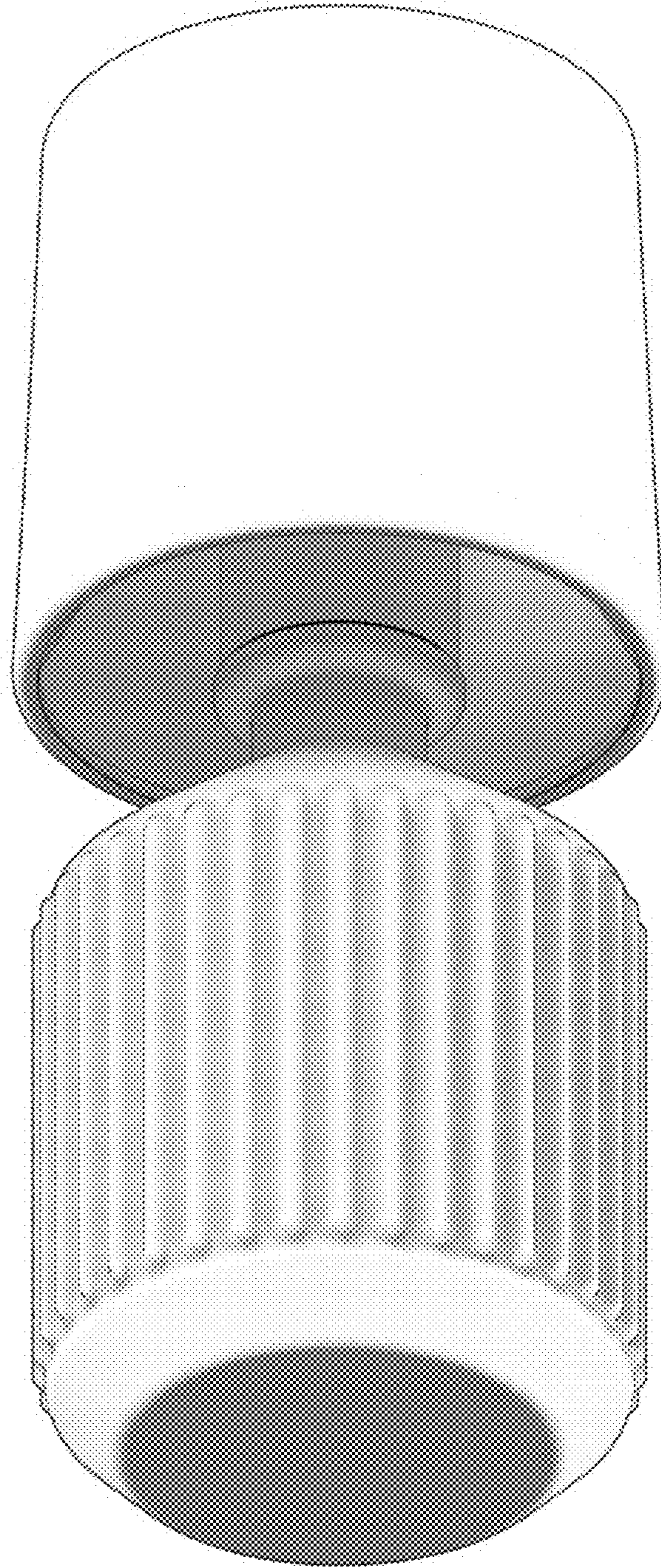
1 Claim, 5 Drawing Sheets



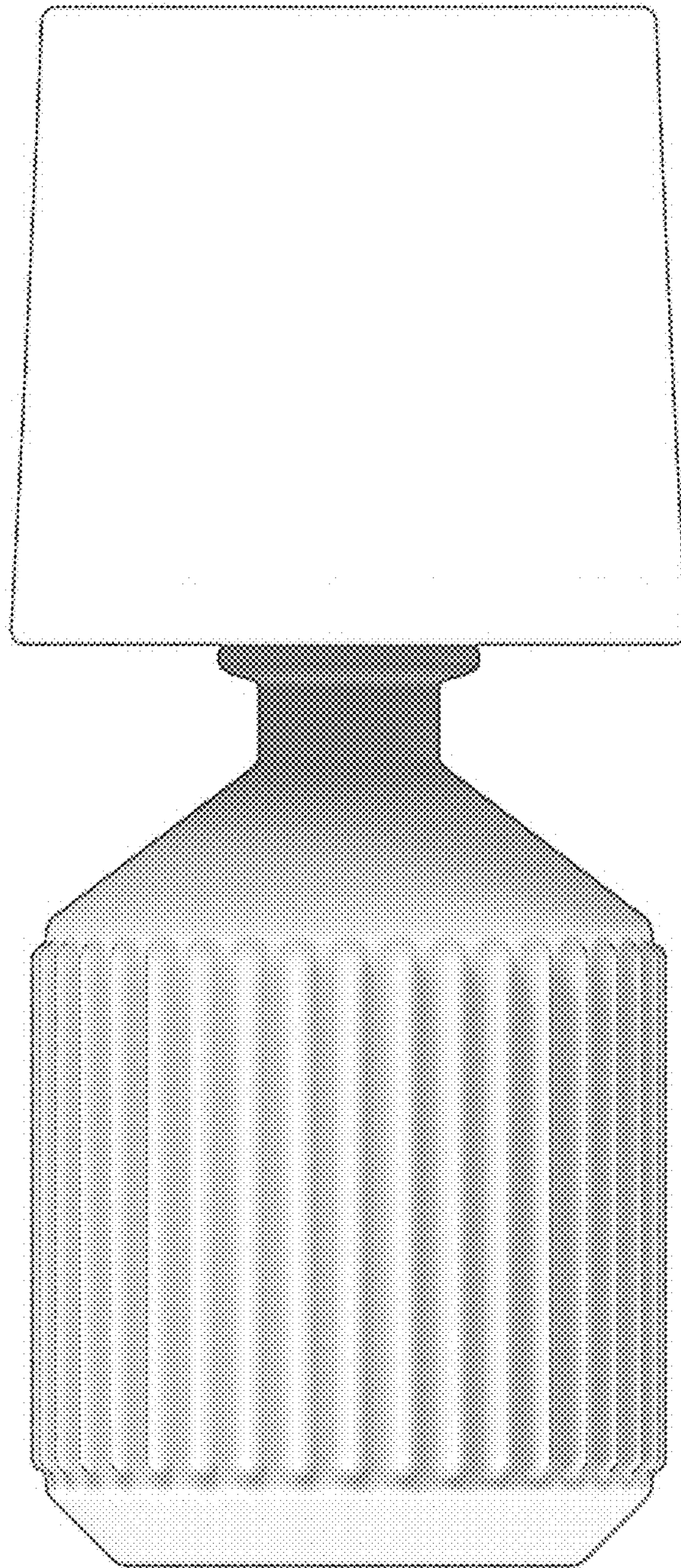
1.1



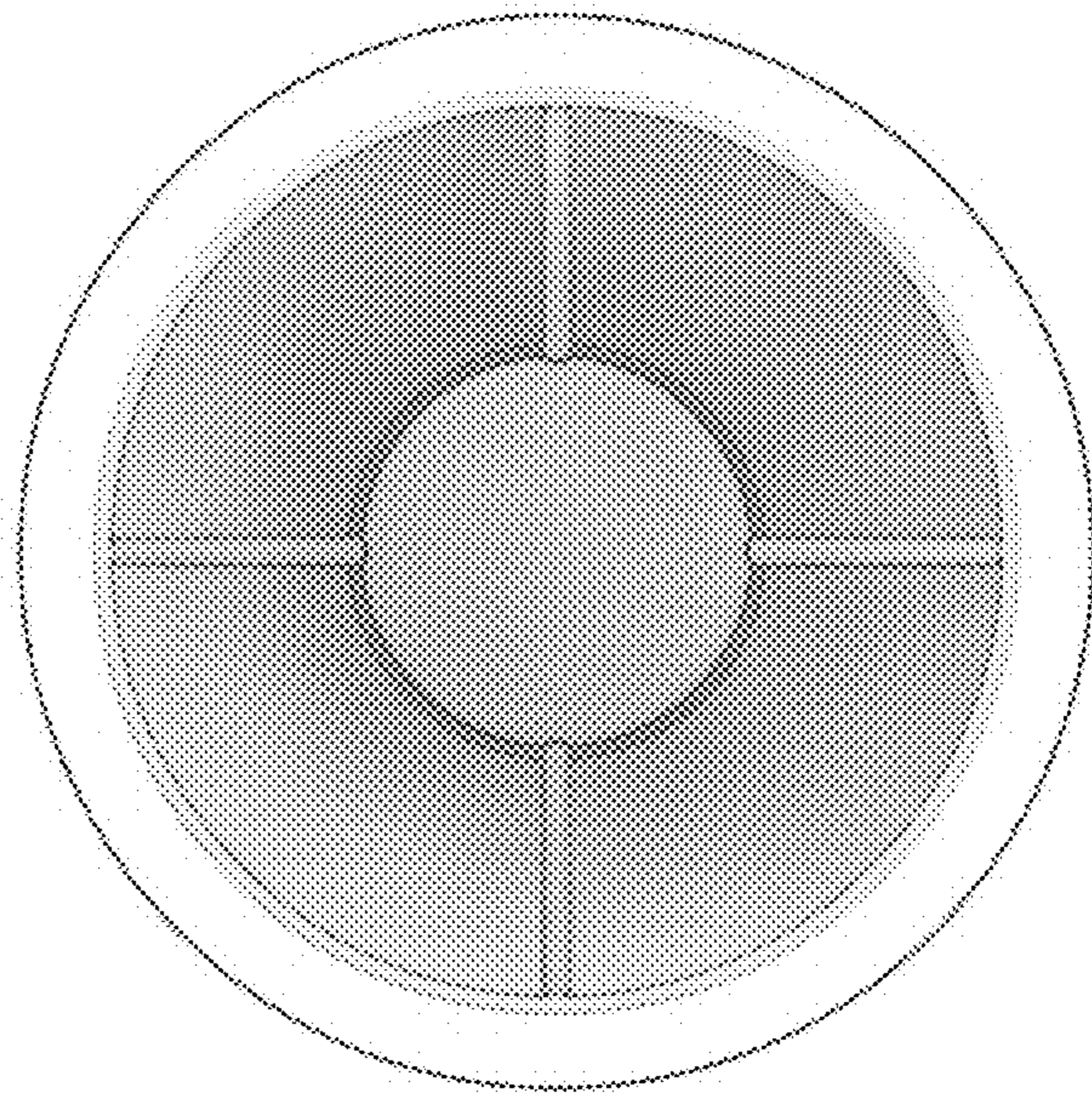
1.2



1.3



1.4



1.5

