



US00D932906S

(12) **United States Design Patent** (10) **Patent No.:** **US D932,906 S**
Schulz (45) **Date of Patent:** **** Oct. 12, 2021**

(54) **BOTTLE** D562,137 S * 2/2008 Florio D28/89
D615,404 S 5/2010 Pitzer et al.
D644,532 S 9/2011 Hodges et al.
(71) Applicant: **The Gillette Company LLC**, Boston, MA (US) D655,134 S * 3/2012 Gilbert D7/510
D684,060 S 6/2013 Hodges
D714,644 S 10/2014 Wagner et al.
(72) Inventor: **Kristopher William Schulz**, Framingham, MA (US) D725,968 S * 4/2015 George D7/511
D729,585 S * 5/2015 Boroski D7/511
D779,124 S * 2/2017 Houyoux D28/91.1
(73) Assignee: **The Gillette Company LLC**, Boston, MA (US) D798,438 S * 9/2017 Engelhard D24/110
D827,813 S * 9/2018 Copland D24/112
D846,387 S * 4/2019 Staab D9/435
D855,253 S * 7/2019 Han D28/88
(**) Term: **15 Years** 2008/0101850 A1 * 5/2008 Wojcik A45D 34/04
401/265

(21) Appl. No.: **29/642,548**

(22) Filed: **Mar. 30, 2018**

(51) **LOC (13) Cl.** **09-01**

(52) **U.S. Cl.**
USPC **D9/549**

(58) **Field of Classification Search**
USPC D9/522, 529, 549, 558, 572, 573, 724
CPC B65D 1/02; B65D 1/0223; B65D 1/023;
B65D 1/0261; B65D 2501/0009; B65D
2501/0081; B65D 2501/009
See application file for complete search history.

(56) **References Cited**

U.S. PATENT DOCUMENTS

D255,654 S * 7/1980 Goss D9/529
D285,655 S 9/1986 MacLaughlin et al.
D430,793 S * 9/2000 Baron D9/688
D437,548 S * 2/2001 Desgrippes D9/688
D463,271 S * 9/2002 Miranda D9/549
D472,152 S * 3/2003 Joubert D9/529
D518,381 S * 4/2006 Egawa D9/504

* cited by examiner

Primary Examiner — Janice Patyk

(74) *Attorney, Agent, or Firm* — John M. Lipchitz

(57) **CLAIM**

The ornamental design for a bottle, as shown and described.

DESCRIPTION

FIG. 1 is a perspective view of a bottle showing my new design;

FIG. 2 is a front view thereof;

FIG. 3 is a rear view thereof;

FIG. 4 is a right side view thereof;

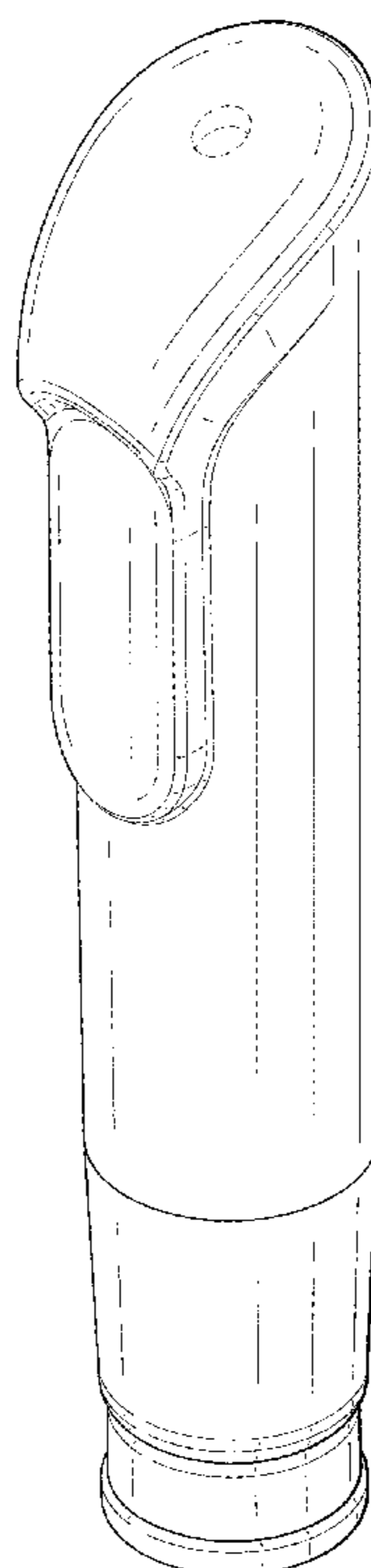
FIG. 5 is a left side view thereof;

FIG. 6 is a bottom view thereof; and,

FIG. 7 is a top view thereof.

The broken lines in the figures illustrate portions of the bottle that form no part of the claimed design.

1 Claim, 4 Drawing Sheets



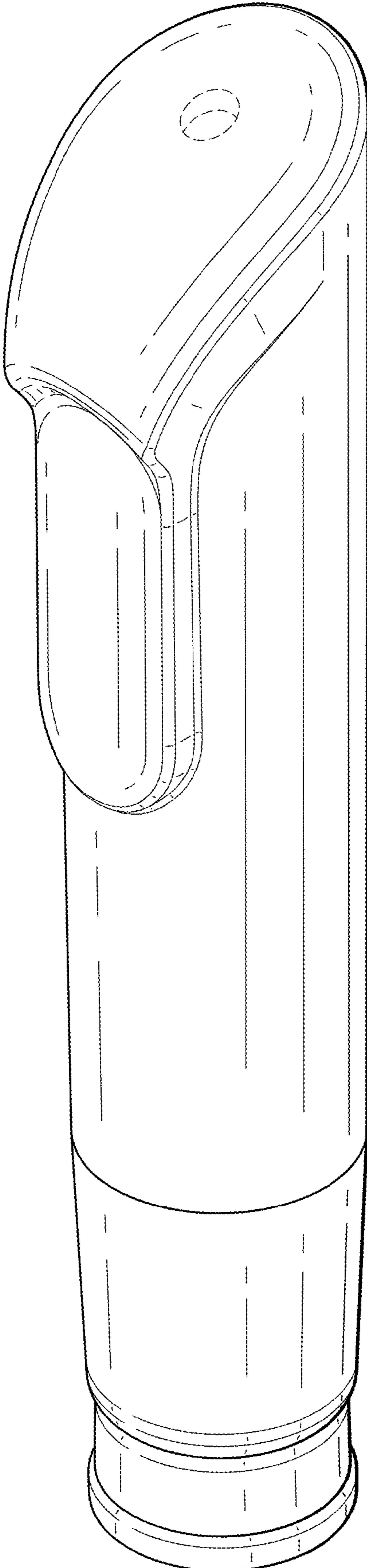


FIG. 1

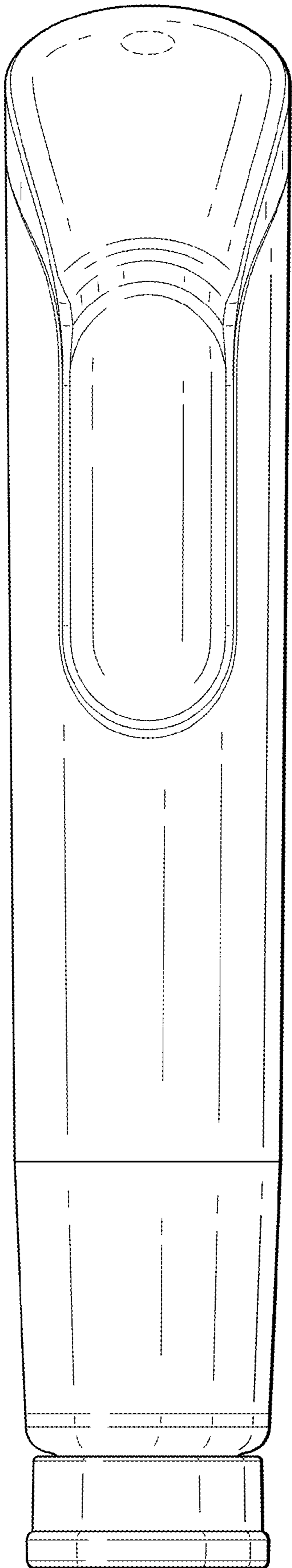


FIG. 2

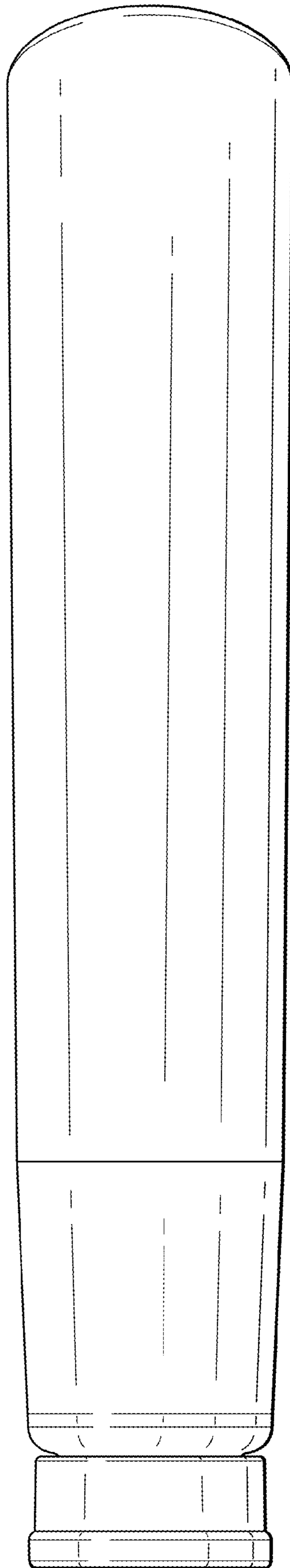


FIG. 3

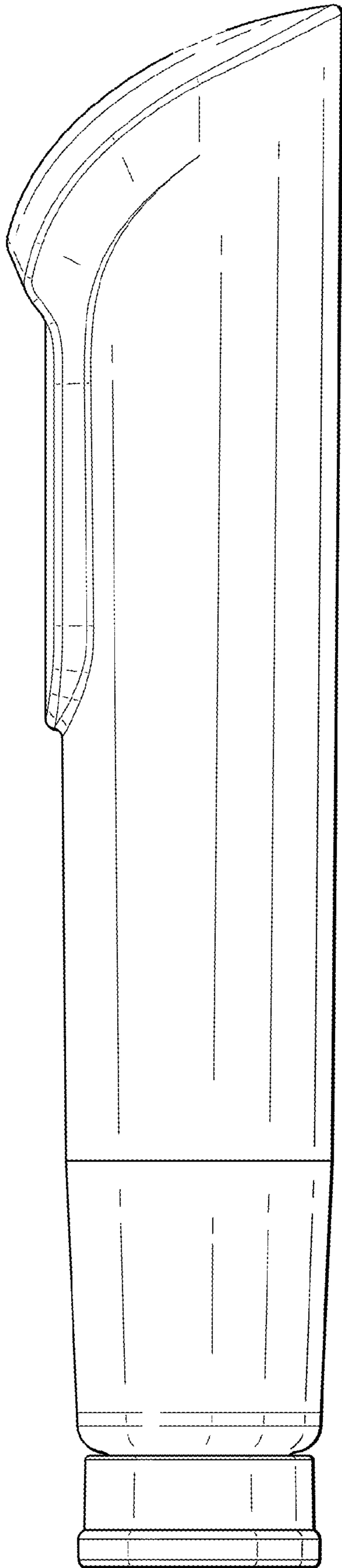


FIG. 4

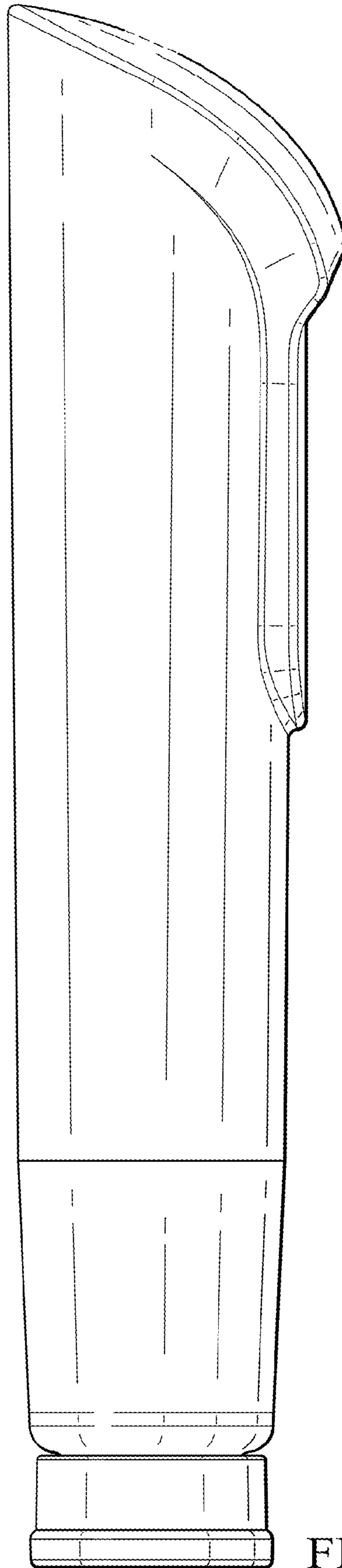


FIG. 5

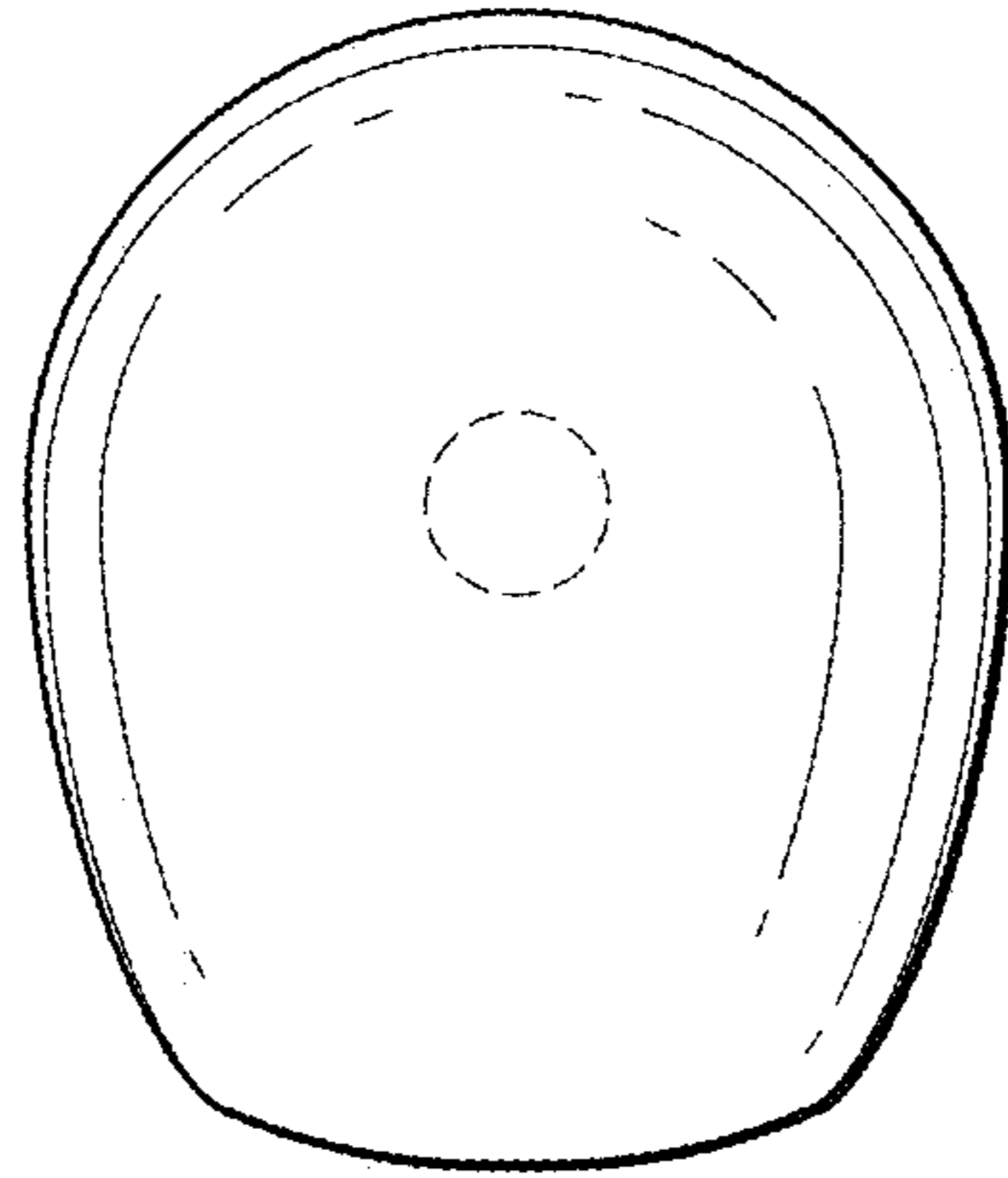


FIG. 6

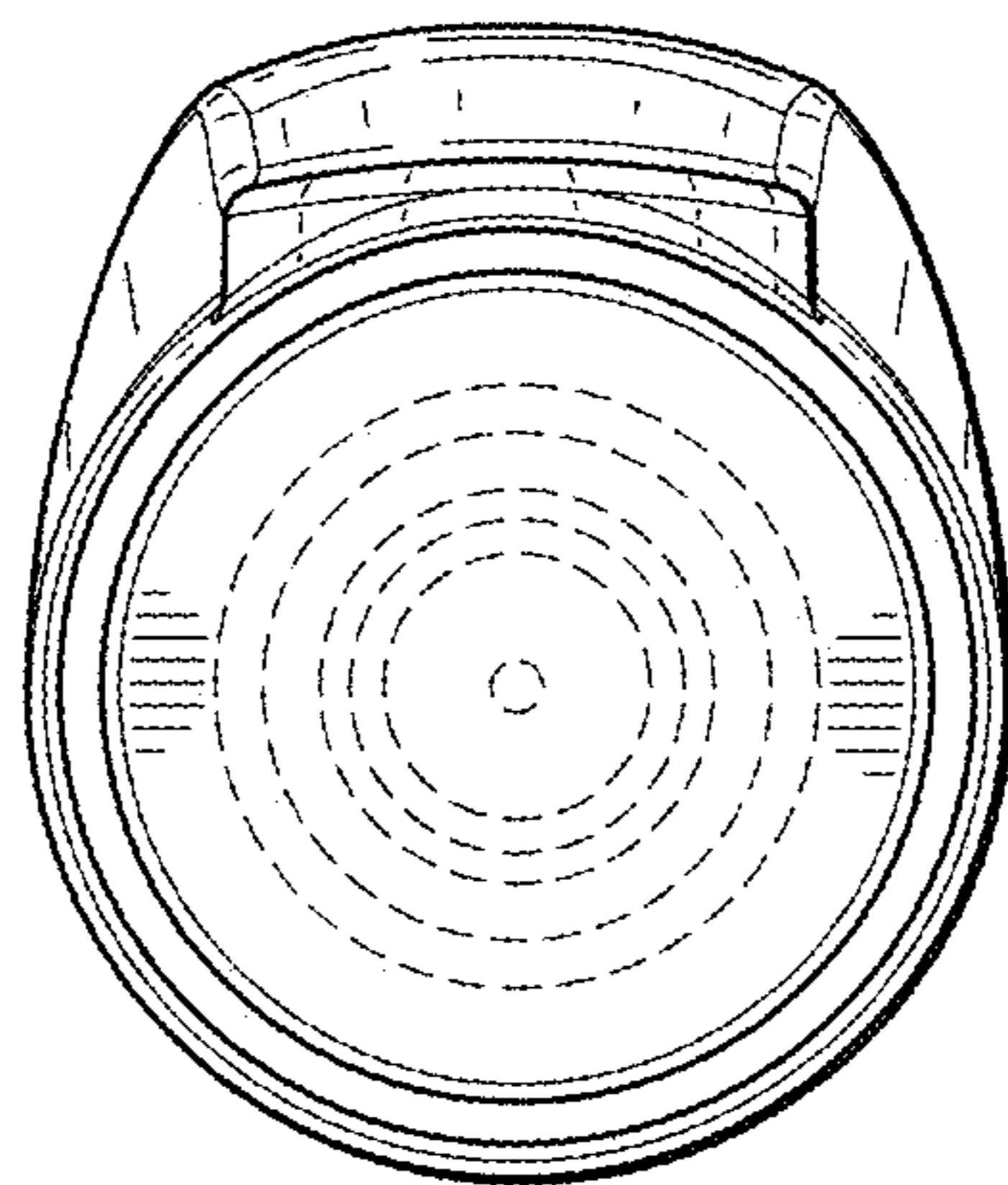


FIG. 7