



US00D932905S

(12) **United States Design Patent**
Klok et al.

(10) **Patent No.:** **US D932,905 S**

(45) **Date of Patent:** **** Oct. 12, 2021**

(54) **BOTTLE WITH A RIPPLE PANEL**

(71) Applicant: **The Coca-Cola Company**, Atlanta, GA (US)

(72) Inventors: **Jeffrey Klok**, Atlanta, GA (US); **Eric Robine**, Marietta, GA (US); **Feng Simon Shi**, Marietta, GA (US)

(73) Assignee: **THE COCA-COLA COMPANY**, Atlanta, GA (US)

(**) Term: **15 Years**

(21) Appl. No.: **29/772,025**

(22) Filed: **Feb. 26, 2021**

(51) **LOC (13) Cl.** **09-01**

(52) **U.S. Cl.**
USPC **D9/538**; D9/550; D9/552; D9/554;
D9/557

(58) **Field of Classification Search**
USPC D9/516, 520, 530, 537-543, 549-550,
D9/552, 554, 557-558, 565, 571, 575,
D9/715, 719; 215/370-371, 379,
215/381-383; 220/604, 608-609, 660,
220/662, 669-670, 672, 675
CPC B65D 1/00; B65D 1/02; B65D 1/0223;
B65D 23/00; B65D 23/102; B65D
2501/00; B65D 2501/0009; B65D
2501/0018; B65D 2501/0036

See application file for complete search history.

(56) **References Cited**

U.S. PATENT DOCUMENTS

D370,178 S * 5/1996 Petre D9/520
5,746,339 A * 5/1998 Petre B65D 1/0292
215/383
D425,424 S * 5/2000 Cheng D9/520
D429,151 S * 8/2000 Cheng D9/434

D431,780 S * 10/2000 DeSwarte D9/520
D466,414 S * 12/2002 Venkataraman D9/538
6,581,794 B2 * 6/2003 Boukobza B65D 1/0223
215/382
D508,854 S * 8/2005 Livingston D9/516
D522,874 S * 6/2006 Livingston D9/551
D523,341 S * 6/2006 Livingston D9/516
D523,347 S * 6/2006 Livingston D9/552
D549,104 S * 8/2007 Dimmel D9/550
D571,220 S * 6/2008 Pagliacci D9/551
D584,954 S * 1/2009 Pagliacci D9/545
D626,851 S * 11/2010 El Aquah D9/553
D627,659 S * 11/2010 El Aquah D9/553
D629,304 S * 12/2010 El Aquah D9/553
D666,917 S * 9/2012 El Aquah D9/553
8,939,316 B2 * 1/2015 Pasufanon B29D 22/003
220/669
D748,482 S * 2/2016 Darr D9/538
D749,954 S * 2/2016 Darr D9/558

(Continued)

Primary Examiner — Dana Meyrow

(74) *Attorney, Agent, or Firm* — Eversheds Sutherland (US) LLP

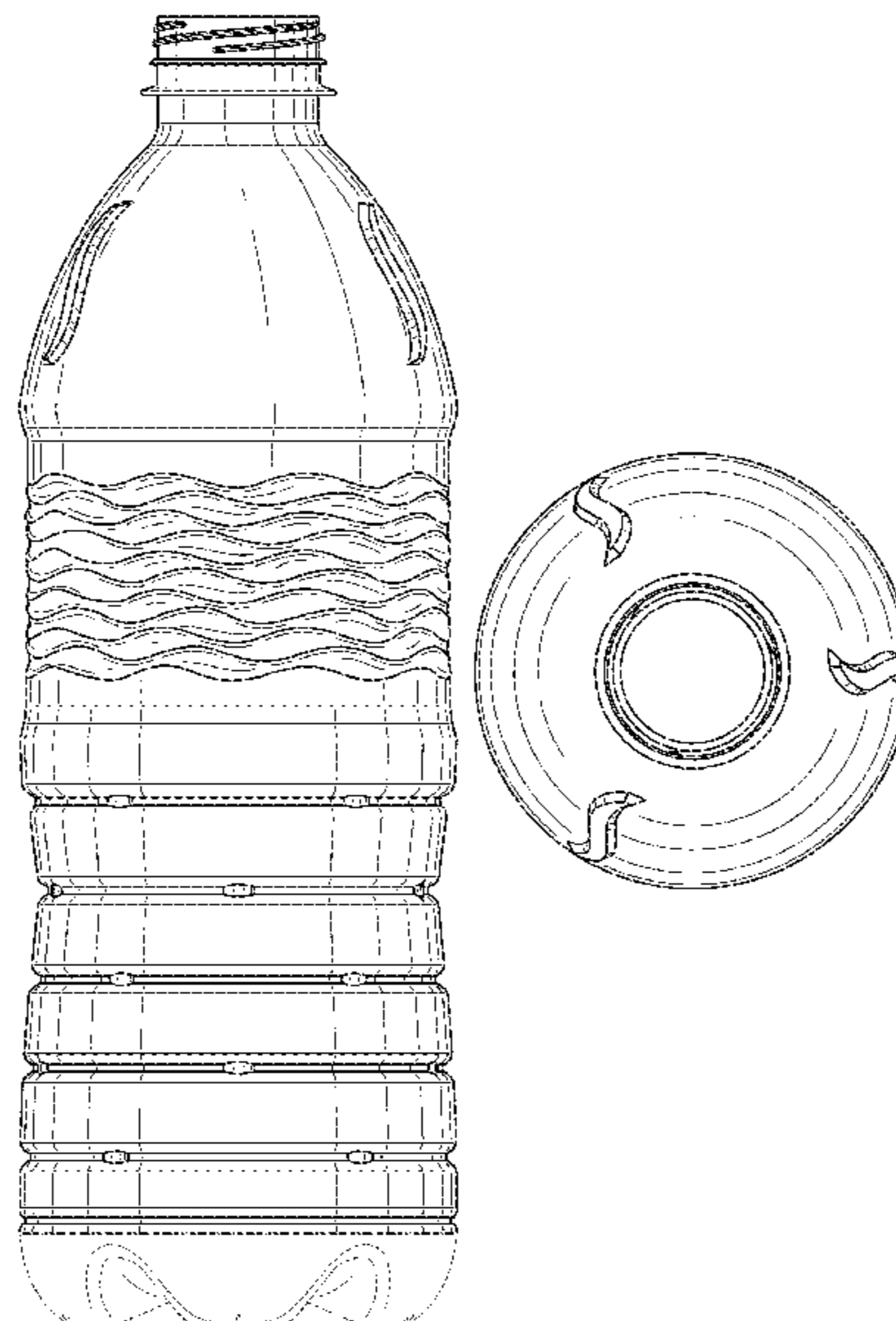
(57) **CLAIM**

The ornamental design for a bottle with a ripple panel, as shown and described.

DESCRIPTION

FIG. 1 is a perspective view of a bottle with a ripple panel showing our new design;
FIG. 2 is a right side view thereof;
FIG. 3 is a left side view thereof;
FIG. 4 is a front view thereof;
FIG. 5 is a rear view thereof; and,
FIG. 6 is a top view thereof.
The evenly-dashed broken lines in the drawings illustrate the portions of the bottle with a ripple panel that form no part of the claim. The dot-dash broken lines in the drawings define the bounds of the claim and form no part thereof.

1 Claim, 4 Drawing Sheets



(56)

References Cited

U.S. PATENT DOCUMENTS

D757,556 S * 5/2016 Lesueur D9/538
D900,616 S * 11/2020 Chen D9/552
2013/0153529 A1* 6/2013 Nakayama B65D 23/001
215/370

* cited by examiner

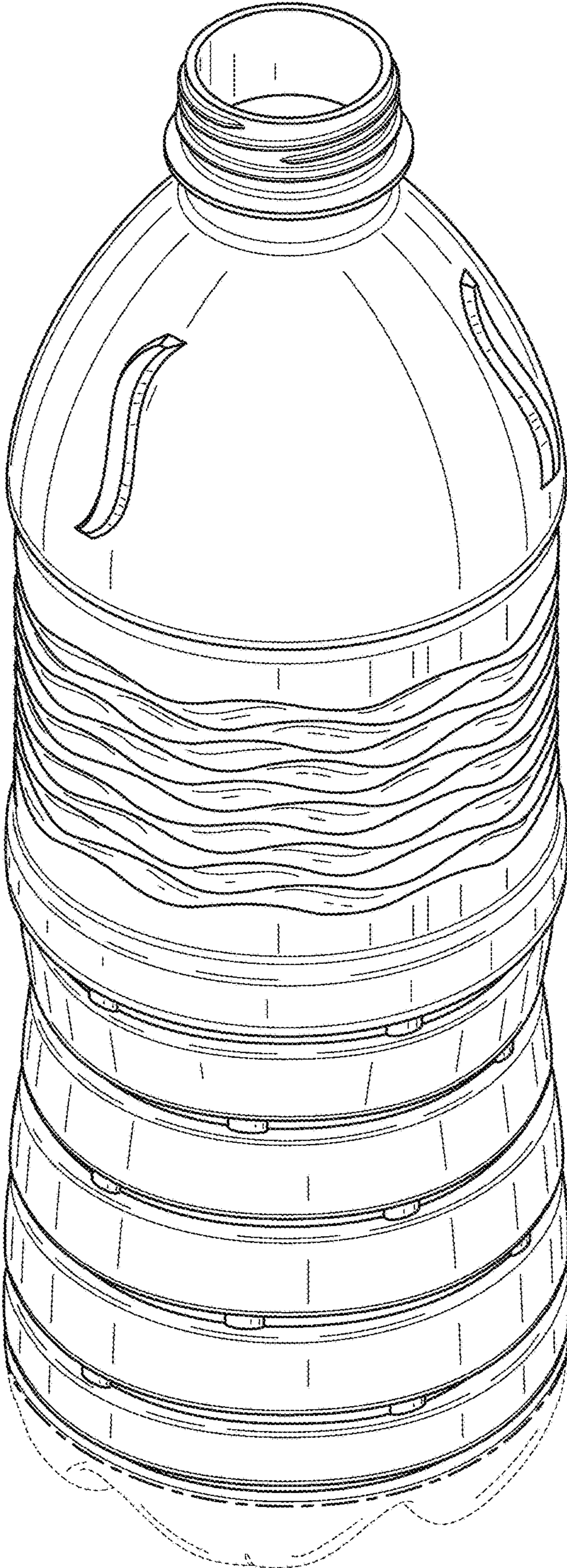


FIG. 1

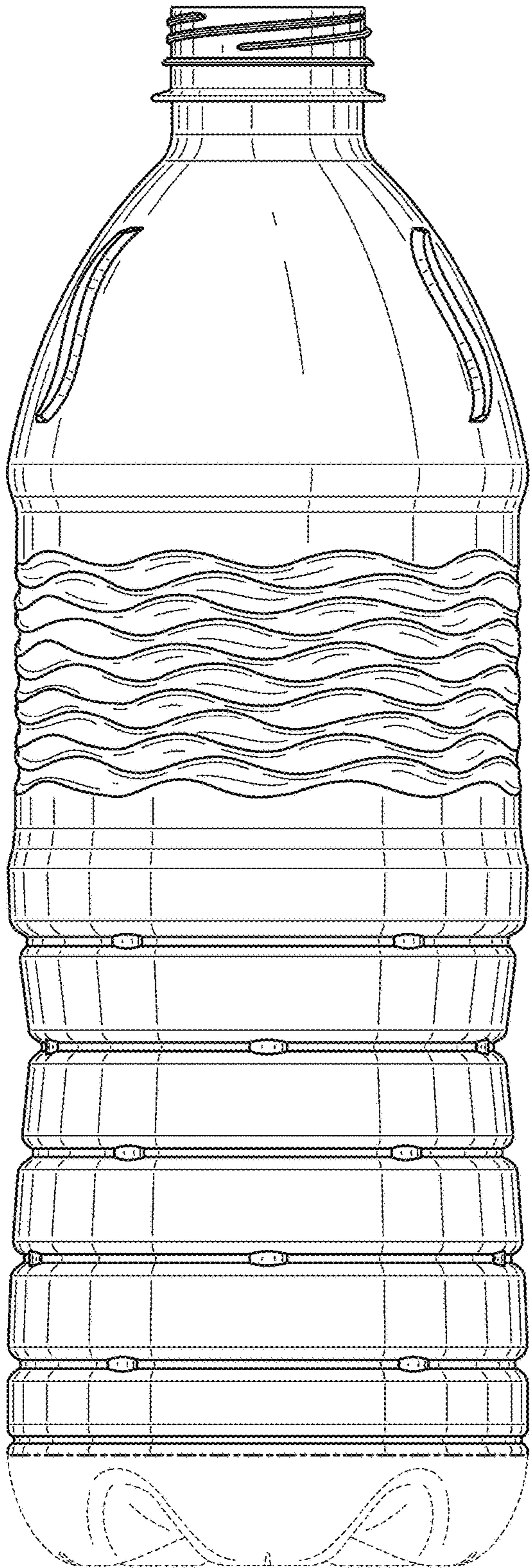


FIG. 2

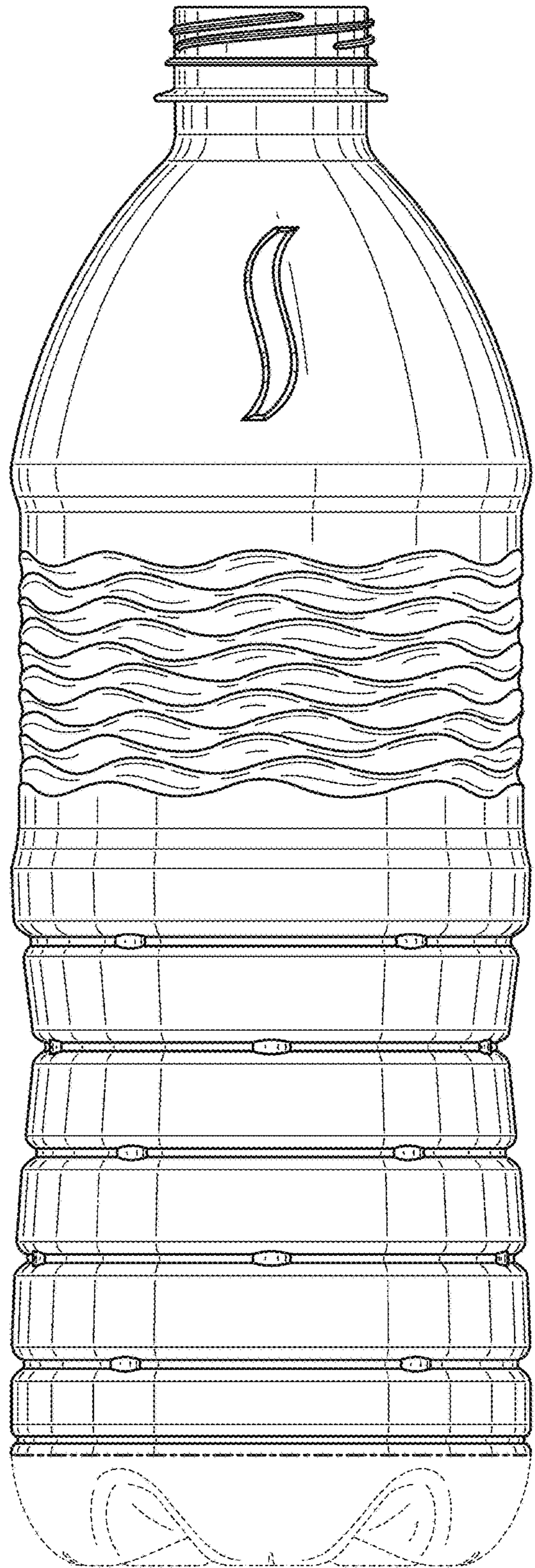


FIG. 3

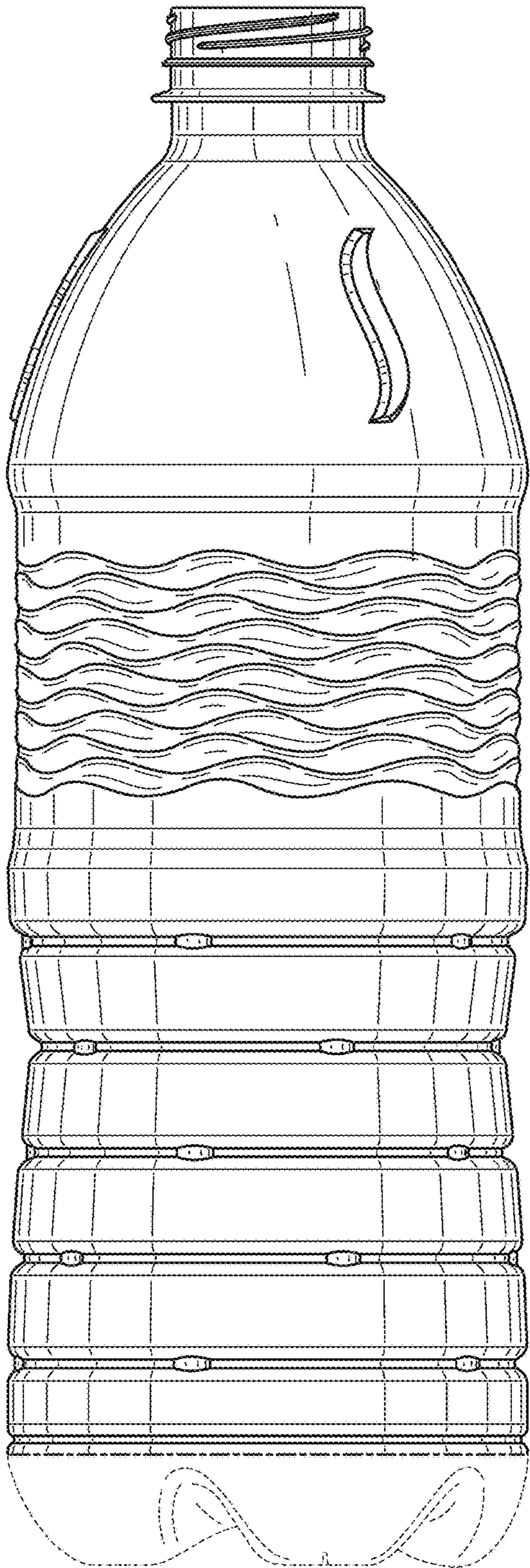


FIG. 4

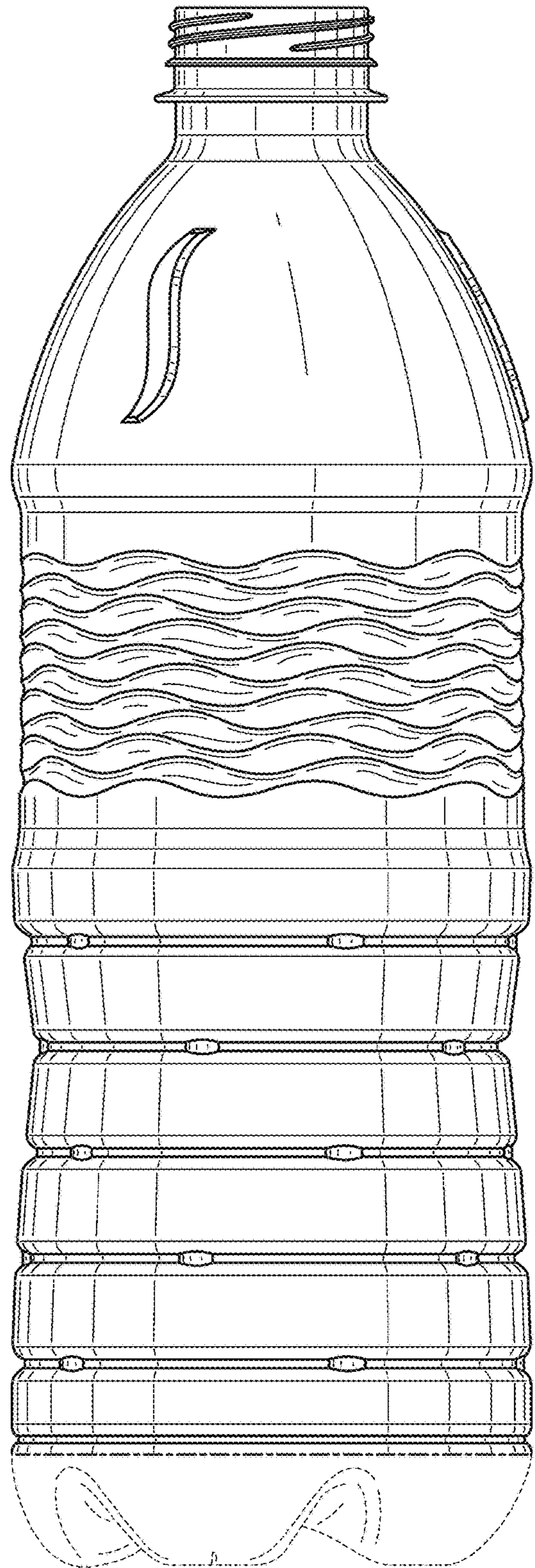


FIG. 5

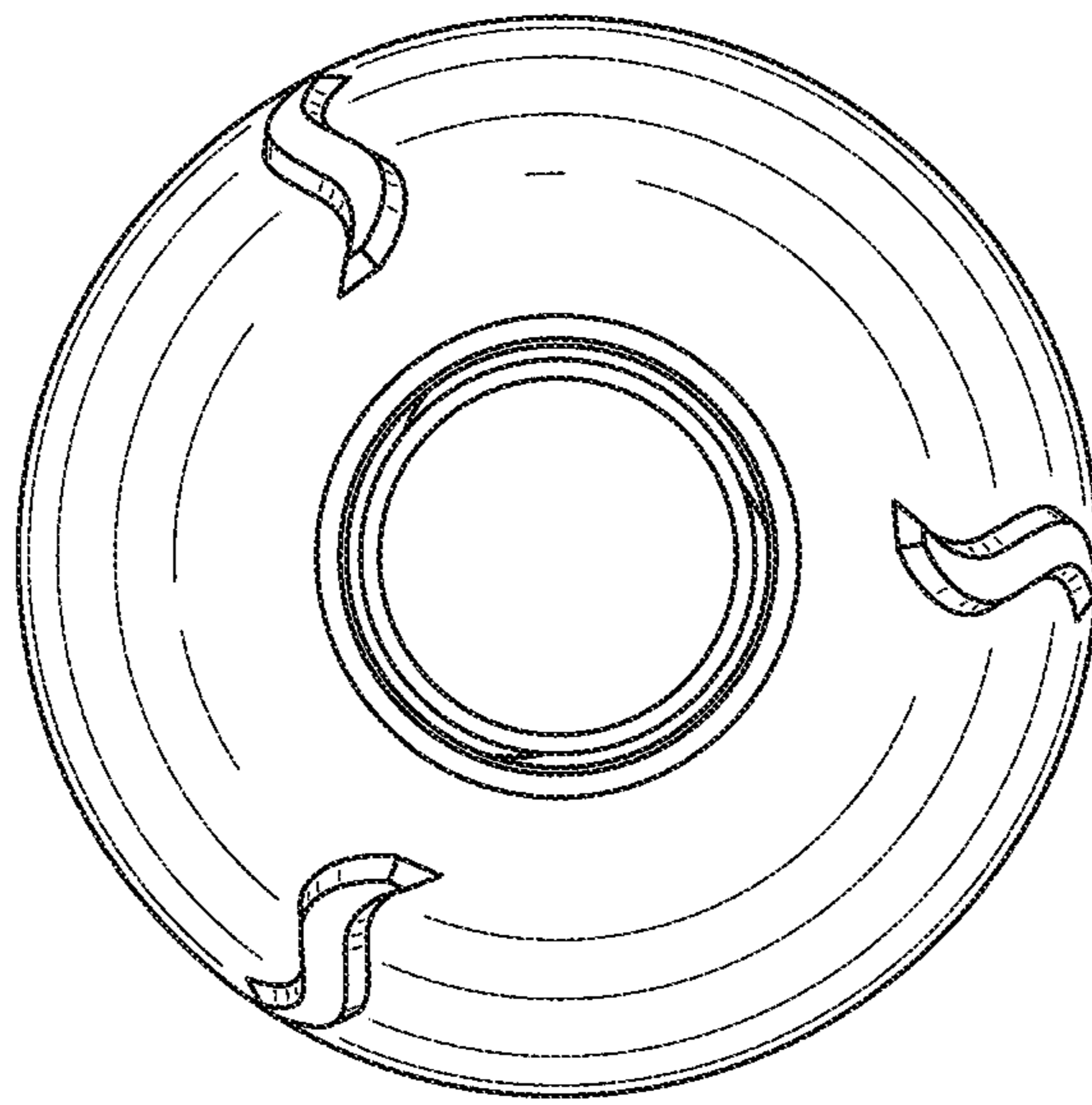


FIG. 6