



US00D932904S

(12) **United States Design Patent** (10) **Patent No.:** **US D932,904 S**  
**Yockey** (45) **Date of Patent:** **\*\* Oct. 12, 2021**

(54) **CONTAINER**  
(71) Applicant: **Steve Yockey**, Ann Arbor, MI (US)  
(72) Inventor: **Steve Yockey**, Ann Arbor, MI (US)  
(73) Assignee: **MANTIS PRODUCT DEVELOPMENT CORPORATION**, Pinckney, MI (US)

D521,387 S \* 5/2006 Little ..... D9/528  
7,216,785 B1 \* 5/2007 Meyer ..... B65D 47/06  
222/105  
D582,285 S \* 12/2008 Cracchiolo ..... D7/608  
D773,309 S \* 12/2016 Guercio ..... D9/531  
D816,504 S \* 5/2018 Hudson ..... D9/528  
D830,777 S \* 10/2018 Meyers ..... D7/536  
2004/0129731 A1 \* 7/2004 Hahn ..... A63B 57/50  
222/175

\* cited by examiner

(\*\*) Term: **15 Years**

*Primary Examiner* — Janice Patyk

(21) Appl. No.: **29/721,637**

(74) *Attorney, Agent, or Firm* — Hoffmann & Baron LLP

(22) Filed: **Jan. 22, 2020**

(57) **CLAIM**

(51) **LOC (13) Cl.** ..... **09-01**

The ornamental design for a container, as shown and described.

(52) **U.S. Cl.**  
USPC ..... **D9/531**

**DESCRIPTION**

(58) **Field of Classification Search**  
USPC ..... D9/522, 523, 527, 530, 531, 535, 543, D9/572, 575  
CPC ..... B65D 1/02; B65D 1/0223; B65D 1/023; B65D 1/0261; B65D 2501/0009; B65D 2501/0081; B65D 2501/009  
See application file for complete search history.

FIG. 1 is a top perspective view of a container, showing my new design;  
FIG. 2 is a bottom perspective view thereof;  
FIG. 3 is a front view thereof;  
FIG. 4 is a right side view thereof;  
FIG. 5 is a rear view thereof;  
FIG. 6 is a left side view thereof;  
FIG. 7 is a top view thereof; and,  
FIG. 8 is a bottom view thereof.

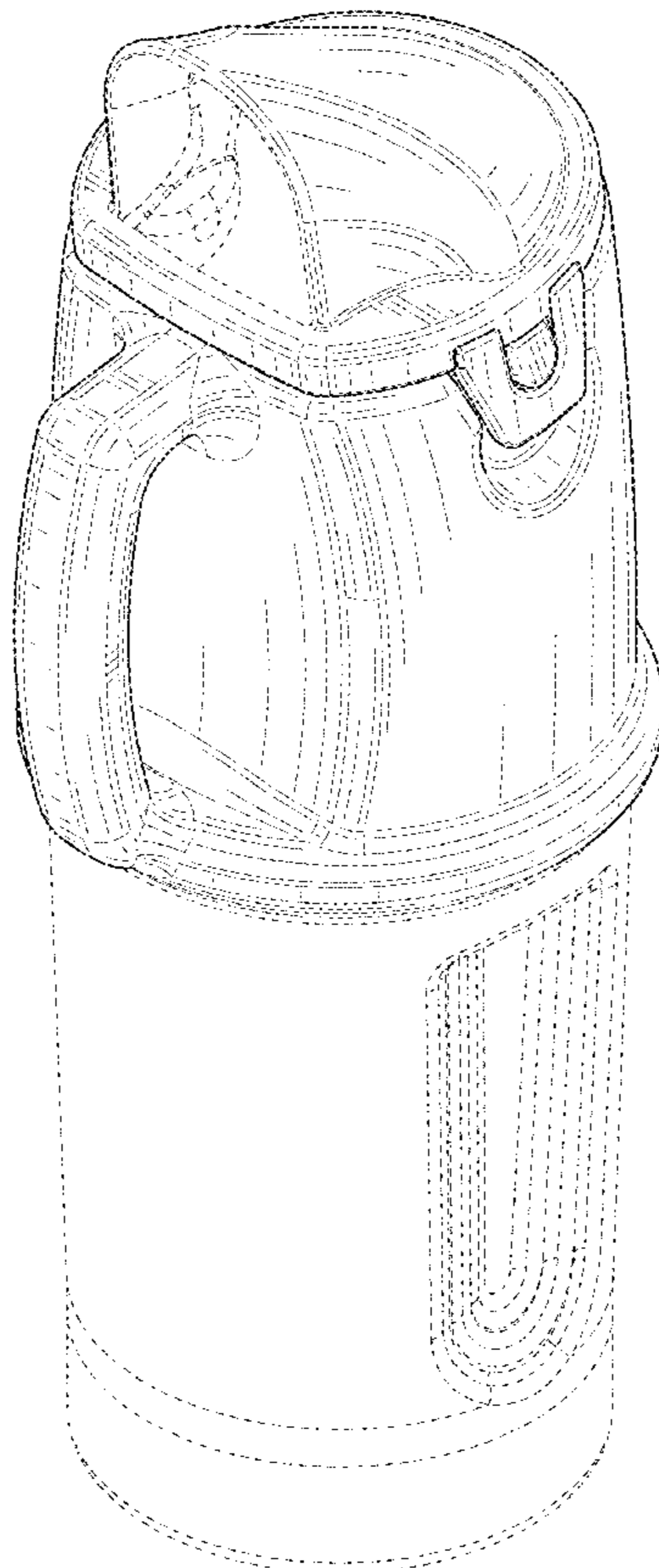
The broken lines in the figures illustrate the portions of the design that form no part of the claimed design.

(56) **References Cited**

**U.S. PATENT DOCUMENTS**

D463,225 S \* 9/2002 Winkler ..... D8/2  
D463,226 S \* 9/2002 Winkler ..... D8/2

**1 Claim, 7 Drawing Sheets**



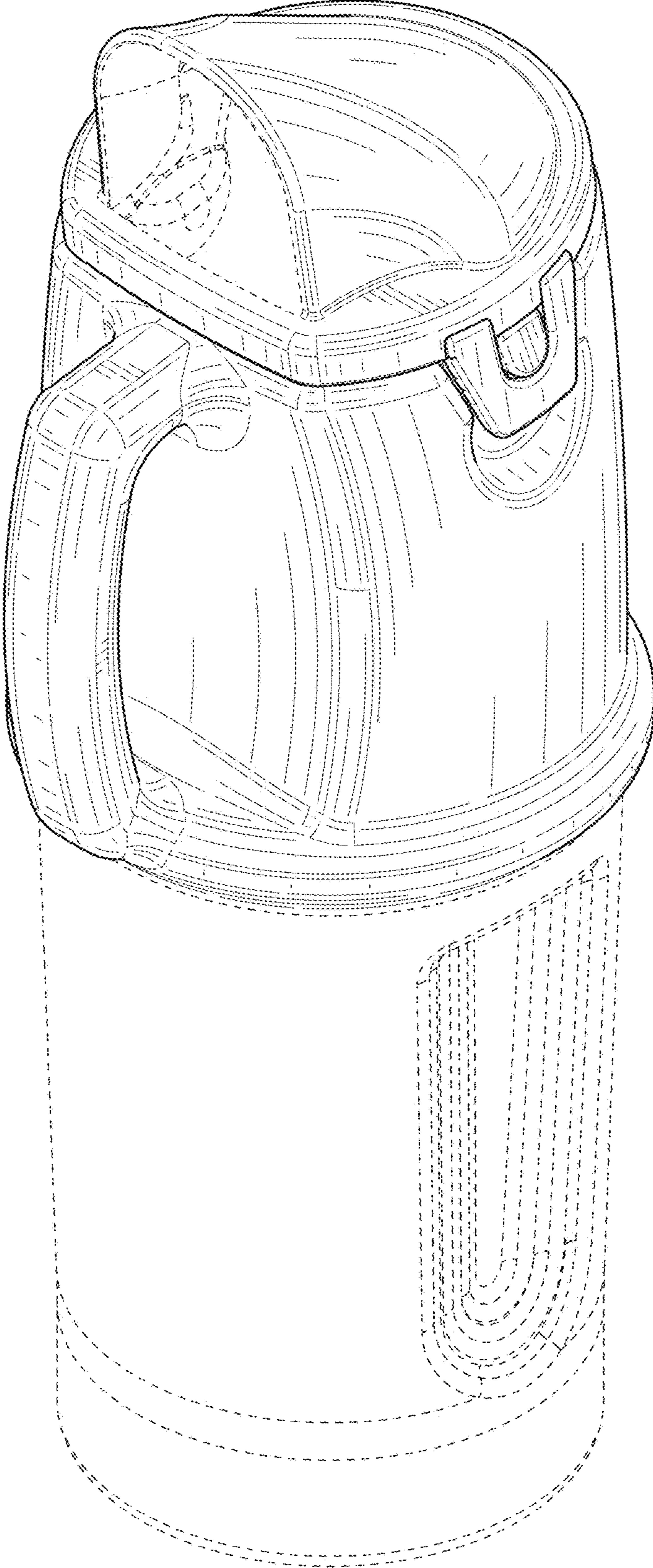


FIG. 1

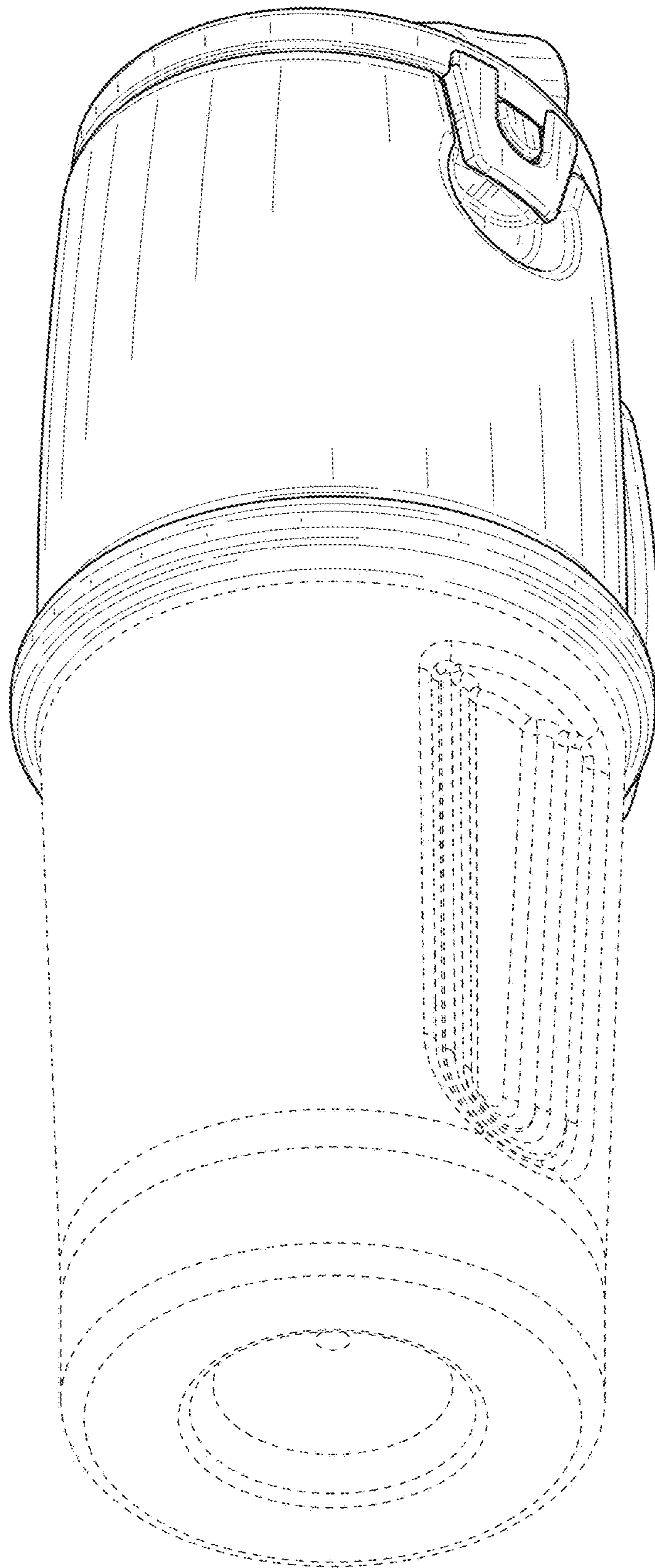


FIG. 2



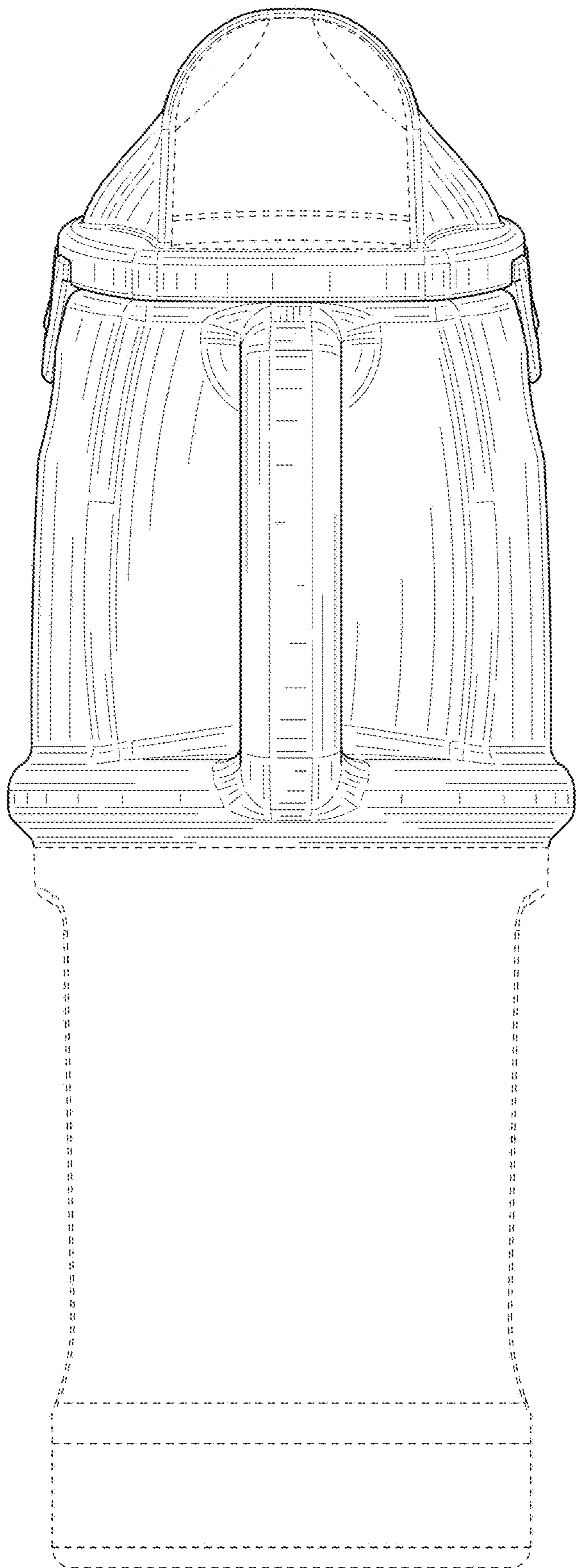


FIG. 3

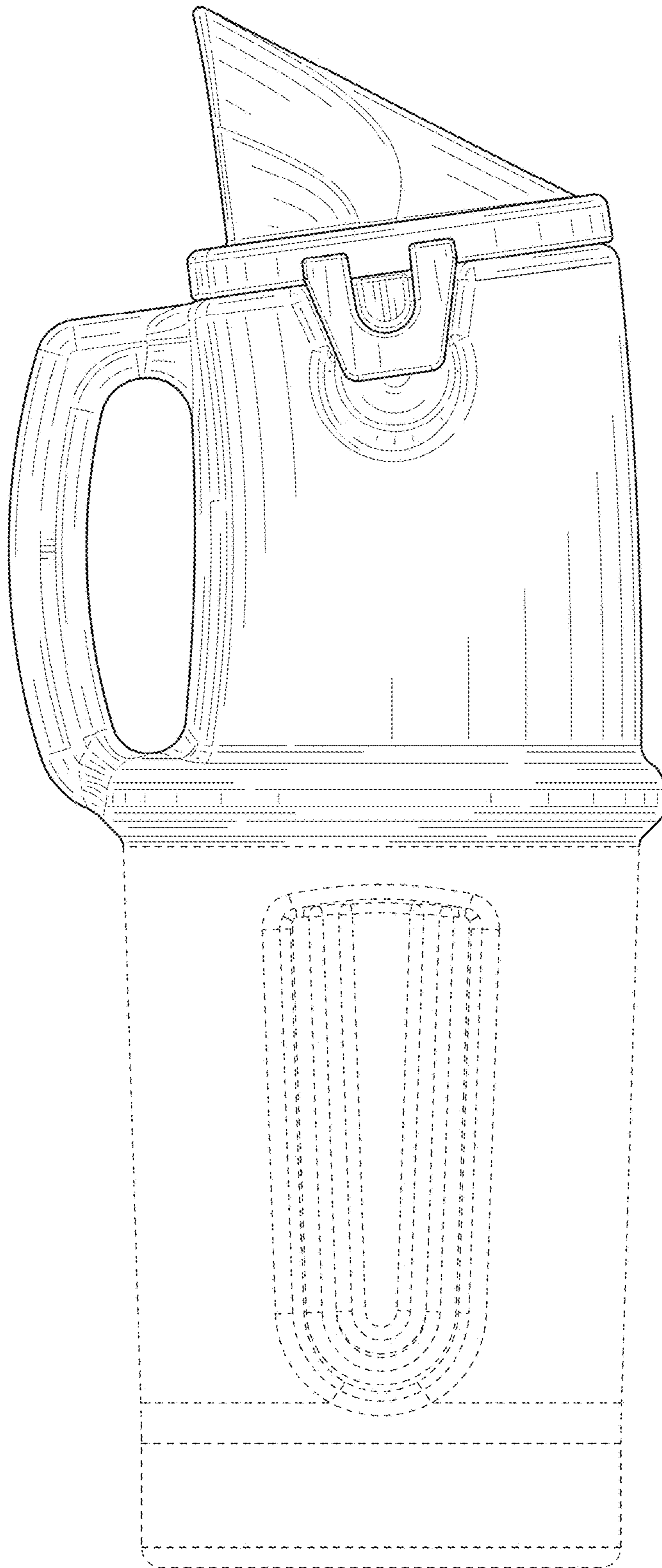


FIG. 4

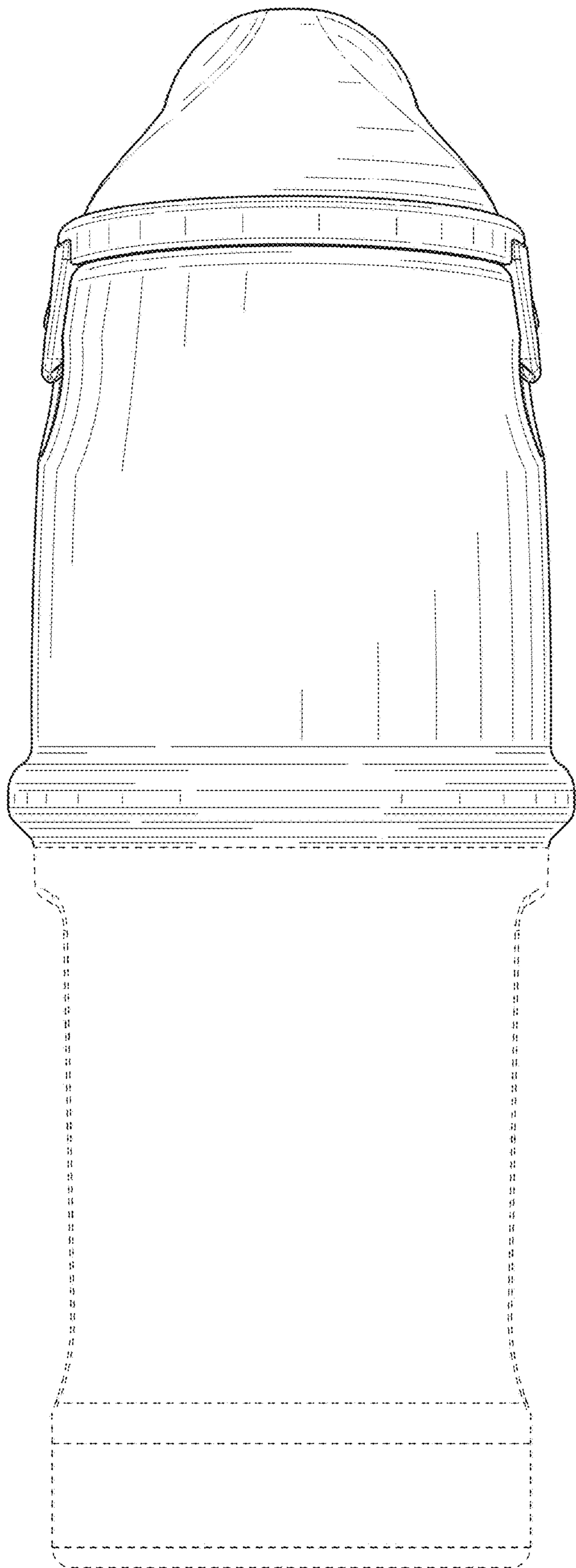


FIG. 5

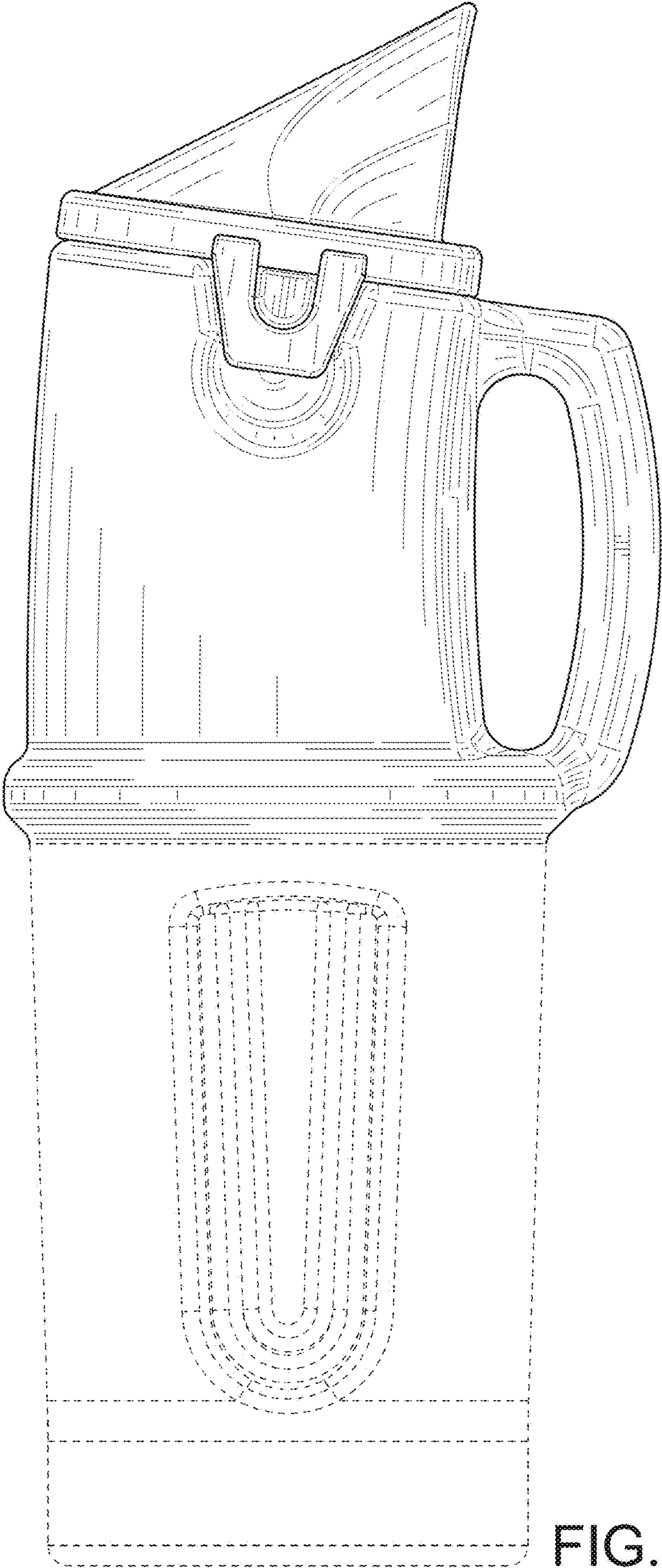


FIG. 6



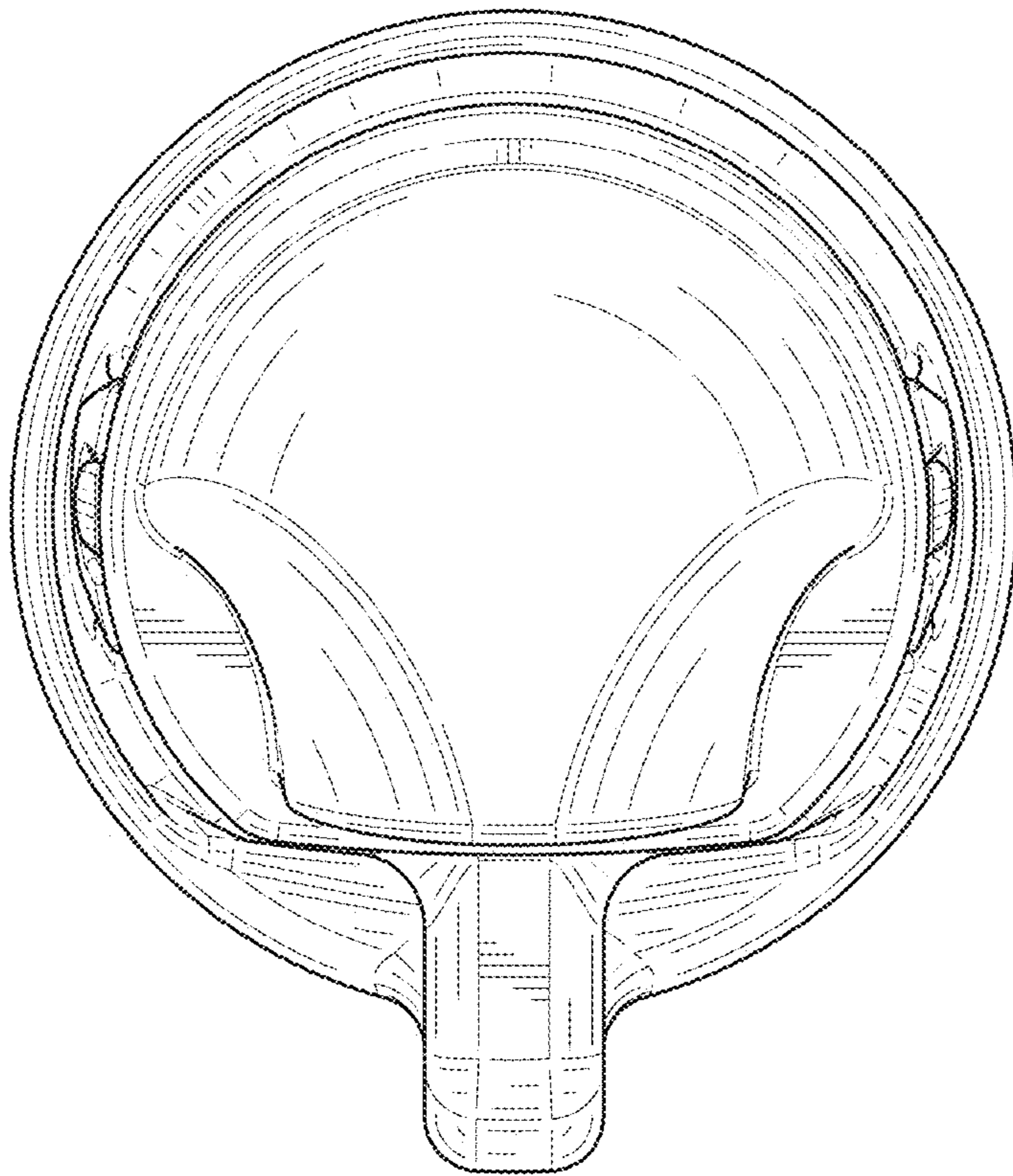


FIG. 7

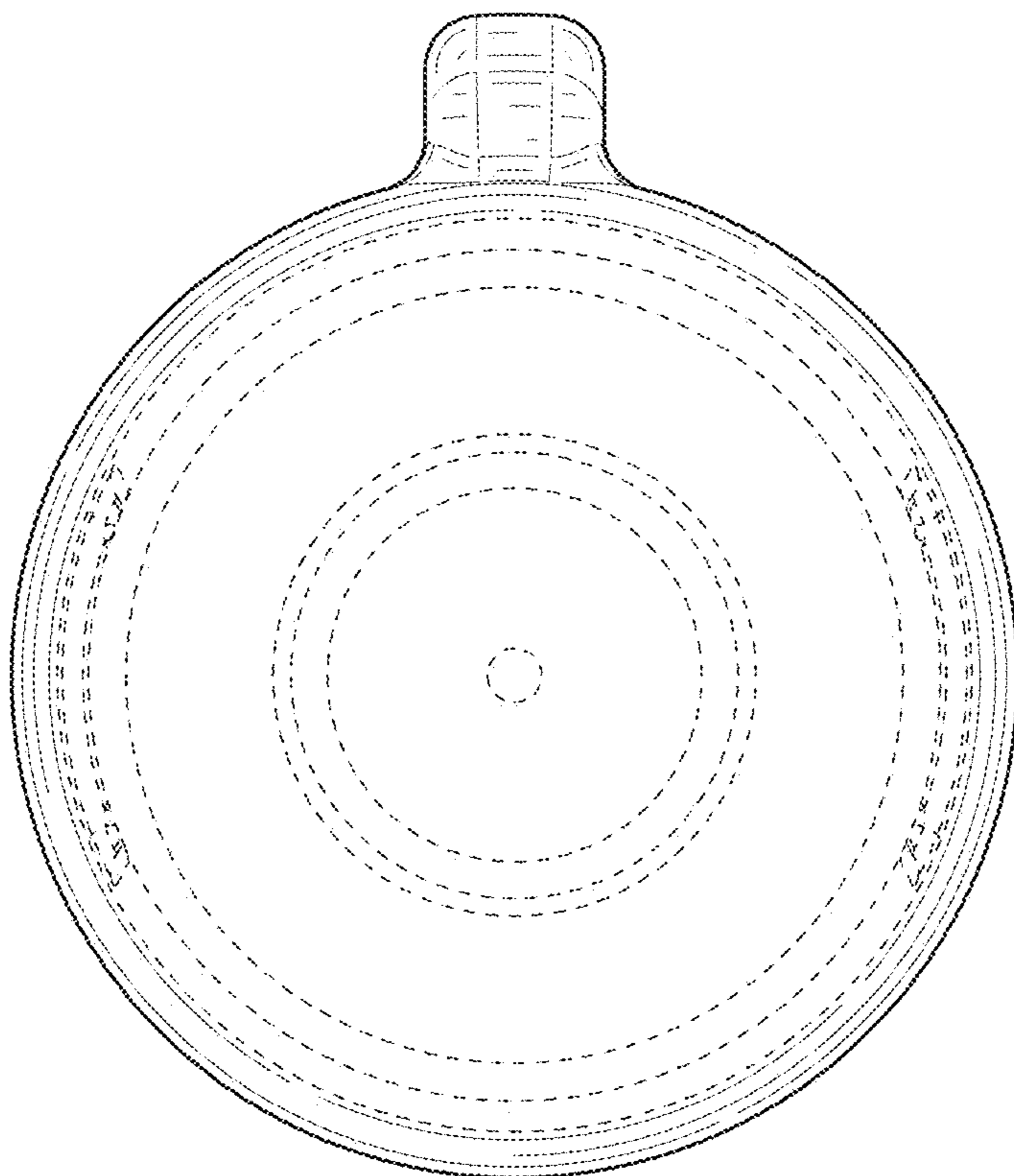


FIG. 8