



US00D932901S

(12) **United States Design Patent**
Ventresca

(10) **Patent No.:** **US D932,901 S**

(45) **Date of Patent:** **** Oct. 12, 2021**

(54) **HAND-HELD FLUID SPRAY DEVICE**

5,377,872 A * 1/1995 Mauney A62C 13/68
137/197

(71) Applicant: **Paul Sung Ventresca LLC**, Somerville,
MA (US)

5,402,916 A 4/1995 Nottingham et al.

5,439,141 A 8/1995 Clark

5,472,119 A 12/1995 Park et al.

5,560,545 A 10/1996 Grogan et al.

5,626,259 A 5/1997 Maas et al.

6,550,694 B1 4/2003 Foster

6,843,390 B1 1/2005 Bristol

9,925,550 B2 3/2018 Dring et al.

(Continued)

(72) Inventor: **Paul Sung Ventresca**, Somerville, MA
(US)

(73) Assignee: **Paul Sung Ventresca LLC**, Somerville,
MA (US)

(**) Term: **15 Years**

OTHER PUBLICATIONS

(21) Appl. No.: **29/709,936**

Oil Bottle Prototype, Jan. 6, 2019, paulsungbrands.com, Jun. 2,
2019, URL: <https://paulsungbrands.com/a-bottle-for-all-your-essential-oils/> (Year: 2019).*

(22) Filed: **Oct. 18, 2019**

(Continued)

Related U.S. Application Data

(63) Continuation of application No. 16/518,219, filed on
Jul. 22, 2019, now Pat. No. 10,974,265.

(51) **LOC (13) Cl.** **09-01**

(52) **U.S. Cl.**

USPC **D9/523**

(58) **Field of Classification Search**

USPC D23/356, 359-360, 366; D9/527-528,
D9/540, 544-546, 523, 549, 562, 569;

D29/126

CPC A61M 11/005; A61M 15/0085; A61M
11/00; A61M 16/14; A61M 11/02; A61M
15/00; A61M 15/0001; A61M 15/001

See application file for complete search history.

(56) **References Cited**

U.S. PATENT DOCUMENTS

3,786,963 A 1/1974 Metzler, III
D250,353 S * 11/1978 Avant D29/126
5,009,342 A 4/1991 Lawrence et al.
5,152,461 A 10/1992 Proctor
5,213,264 A 5/1993 Styne
5,332,158 A 7/1994 Styne et al.

Primary Examiner — Jack Reickel

Assistant Examiner — Keith J Wilson

(74) *Attorney, Agent, or Firm* — John Brooks Law LLC;
John J. Brooks, III

(57)

CLAIM

I claim the ornamental design for a hand-held fluid spray
device, as shown.

DESCRIPTION

FIG. 1 shows a top perspective view of a hand-held fluid
spray device showing my new design;

FIG. 2 is a front elevational view thereof;

FIG. 3 is a rear elevational view thereof;

FIG. 4 is a right side elevational view thereof;

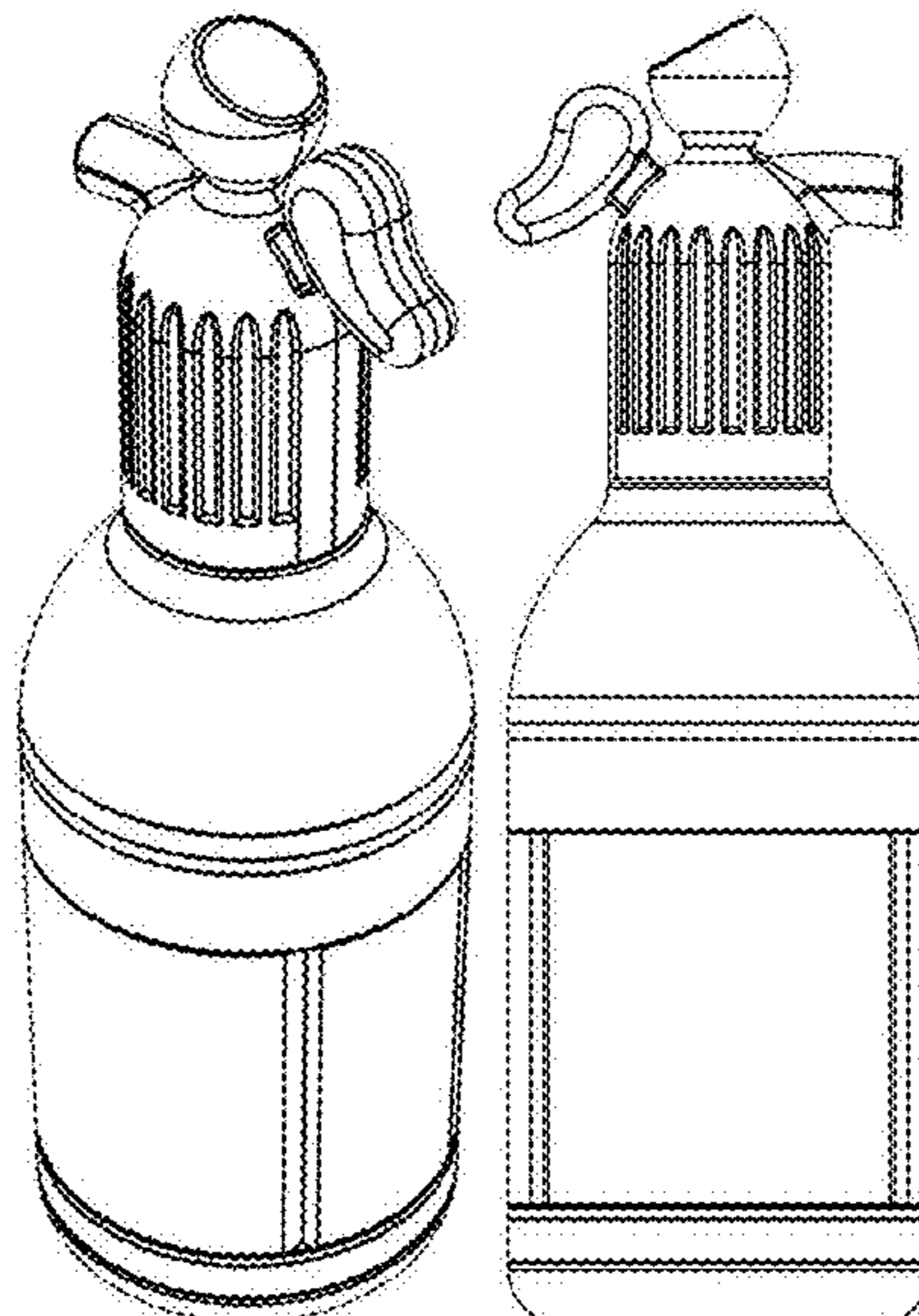
FIG. 5 is a left side elevational view thereof;

FIG. 6 is a top plan view thereof; and,

FIG. 7 is a bottom plan view thereof.

The broken line showing of a fluid spray device is included
for the purpose of illustrating portions of the article and
forms no part of the claimed design.

1 Claim, 7 Drawing Sheets



(56)

References Cited

U.S. PATENT DOCUMENTS

D872,375 S * 1/2020 Fergusson D29/126
D886,627 S * 6/2020 Ford D9/679
D918,051 S * 5/2021 Sanghavi D9/551
2016/0067534 A1* 3/2016 Rousseau A62C 13/78
169/51
2016/0243385 A1* 8/2016 Rousseau A62C 37/50
2020/0306573 A1* 10/2020 Mauney A62C 13/68

OTHER PUBLICATIONS

The Paul Sung Bottle—Close up All 1, Dec. 12, 2018, Youtube.com, Jun. 2, 2021, URL: <https://www.youtube.com/watch?v=VuQuYdl31sQ> (Year: 2018).*

Framar Premium Hair Spray Bottle—Spray Bottle for Hair, Dec. 14, 2019, Amazon.com, Jun. 2, 2021, URL: <https://www.amazon.com/Framar-Premium-Hair-Spray-Bottle/dp/B07XF4VQXB> (Year: 2019).*

* cited by examiner

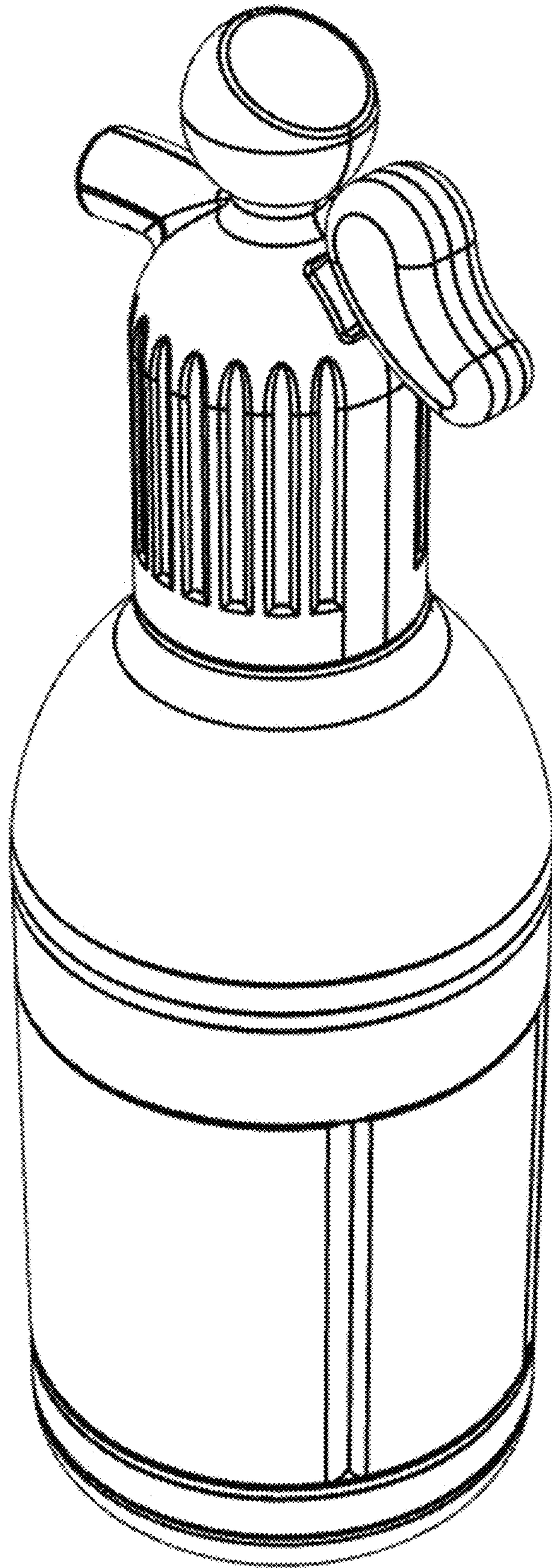


FIG. 1

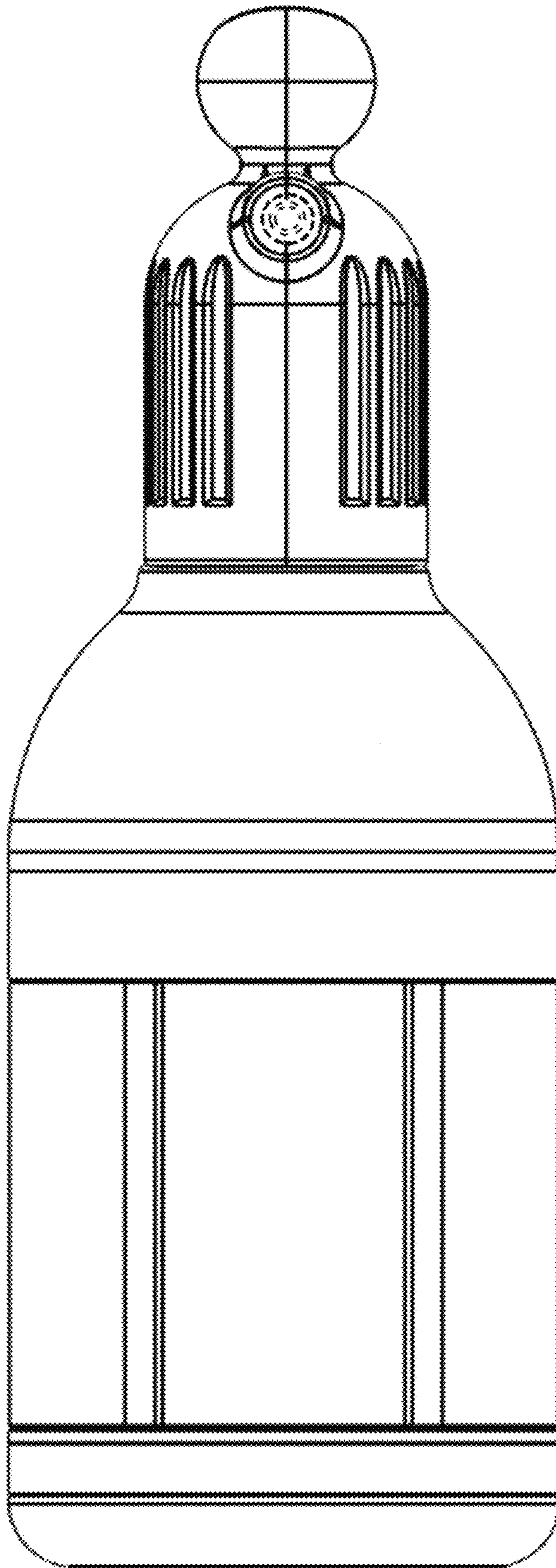


FIG. 2

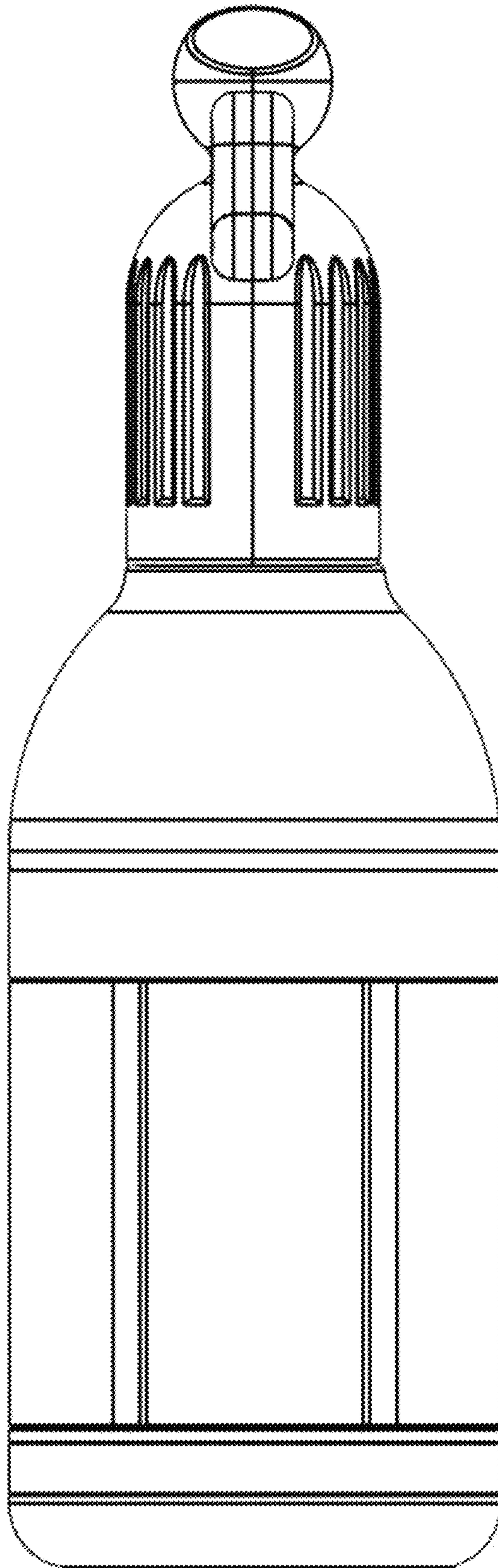


FIG. 3

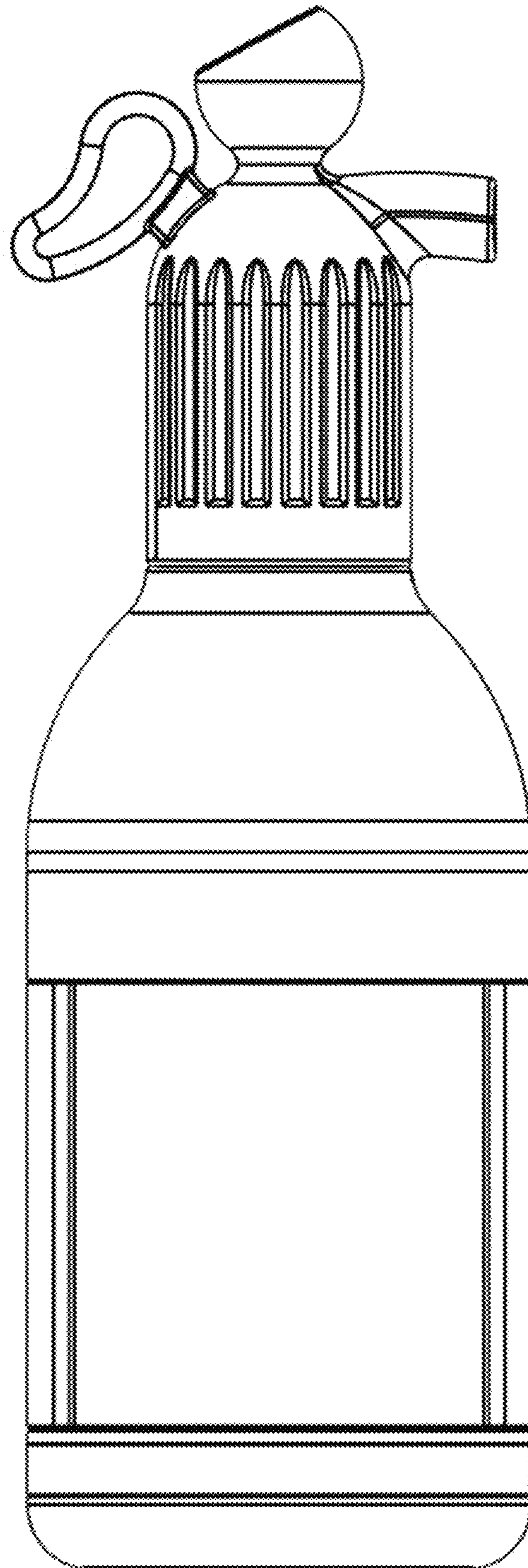


FIG. 4

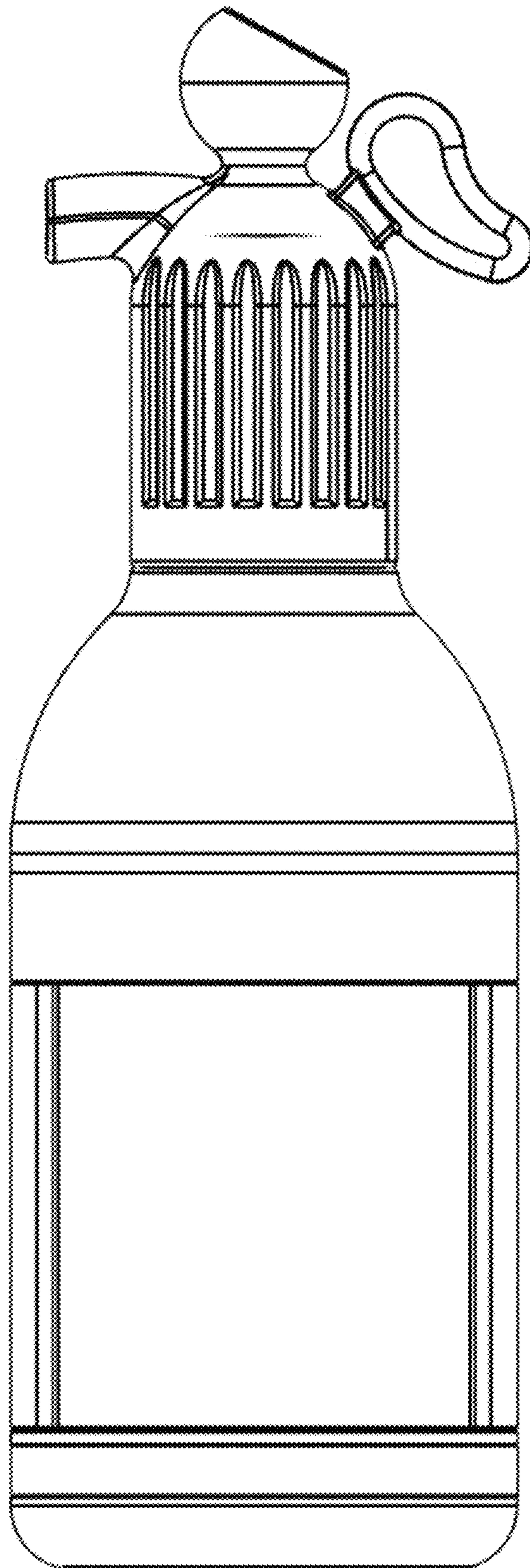


FIG. 5

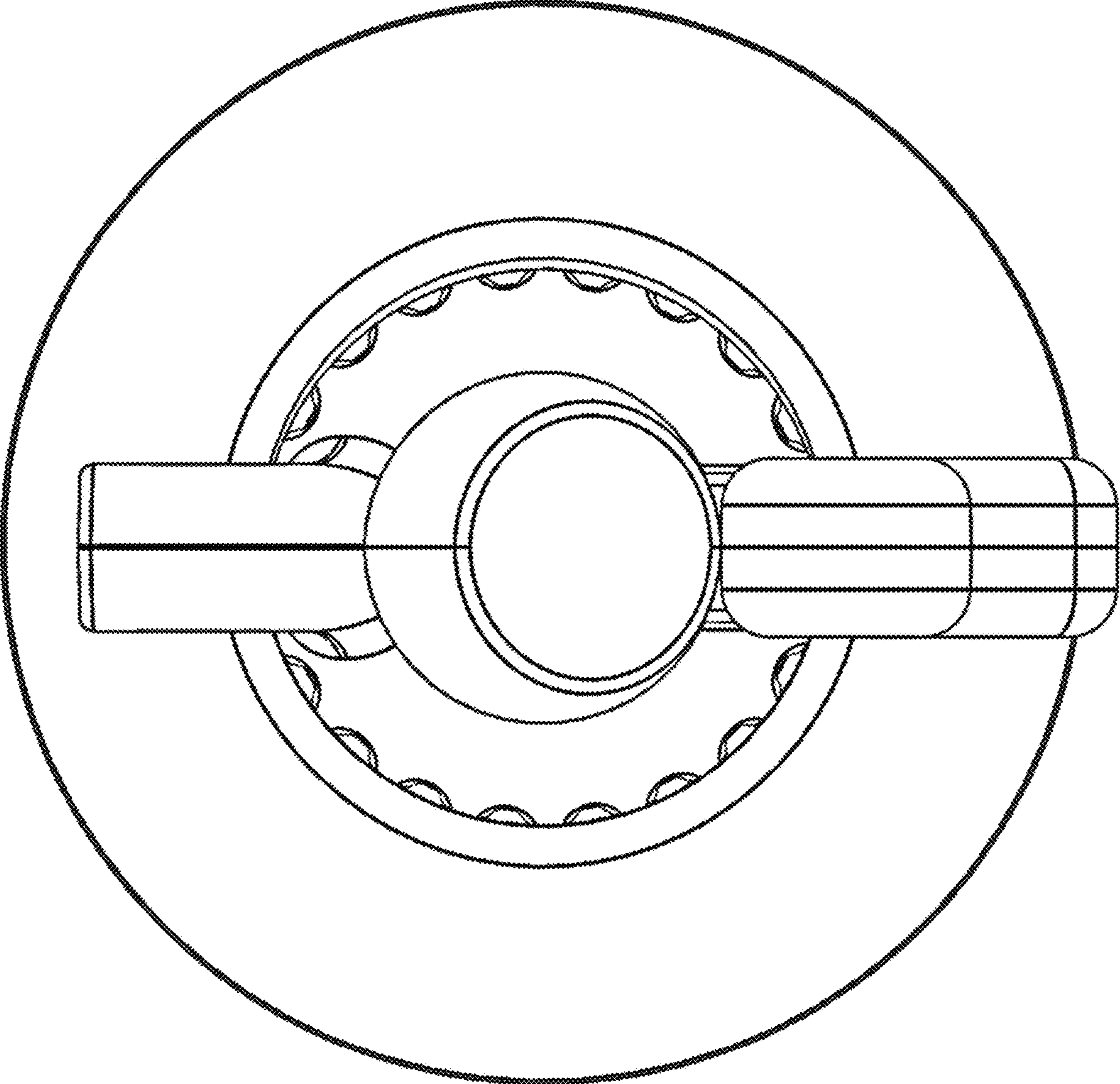


FIG. 6

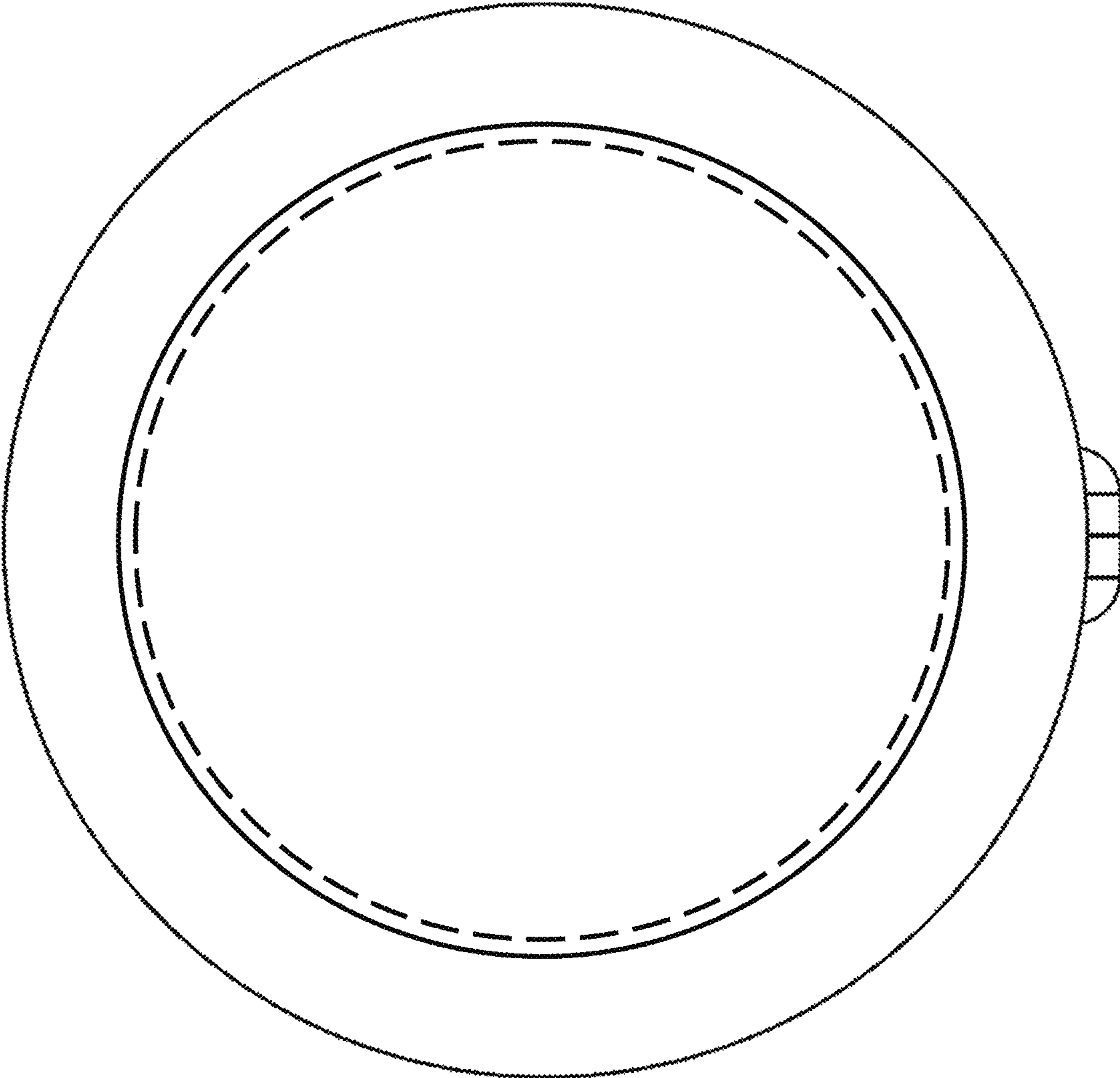


FIG. 7