



US00D932900S

(12) **United States Design Patent** (10) **Patent No.:** **US D932,900 S**  
**Duffy et al.** (45) **Date of Patent:** **\*\* Oct. 12, 2021**

(54) **DISPENSER**

(71) Applicant: **Conopco, Inc.**, Englewood Cliffs, NJ (US)

(72) Inventors: **Eamonn Thomas Duffy**, Leeds (GB); **Joe Goldsmith**, Liversedge (GB)

(73) Assignee: **Conopco, Inc.**, Englewood Cliffs, NJ (US)

(\*\*) Term: **15 Years**

(21) Appl. No.: **29/695,451**

(22) Filed: **Jun. 19, 2019**

(30) **Foreign Application Priority Data**

Dec. 21, 2018 (EM) ..... 005942604-0001  
Dec. 21, 2018 (EM) ..... 005942604-0002  
Dec. 21, 2018 (EM) ..... 005942604-0003

(51) **LOC (13) Cl.** ..... **09-01**

(52) **U.S. Cl.**  
USPC ..... **D9/504**; D9/451; D9/454

(58) **Field of Classification Search**  
USPC ..... D9/434-435, 454, 500, 503-505, 516, D9/549, 558, 715, 723, 725-728, 450, D9/451, 529; D7/591, 596  
CPC ..... B65D 1/00; B65D 1/02; B65D 1/0223; B65D 23/00; B65D 51/32; B65D 2501/00; B65D 2501/0009  
See application file for complete search history.

(56) **References Cited**

**U.S. PATENT DOCUMENTS**

D49,587 S \* 8/1916 Vivaudou ..... D9/504  
D86,082 S \* 1/1932 Friedman ..... D28/76  
D236,799 S \* 9/1975 Kapuscinski ..... D9/504  
D246,954 S \* 1/1978 L'Europa ..... D9/504  
D255,215 S \* 6/1980 Ellinwood ..... D9/504  
D309,553 S \* 7/1990 Daenen ..... D7/591

5,137,211 A 8/1992 Summer et al.  
D392,889 S \* 3/1998 Liu ..... D9/504  
D396,329 S \* 7/1998 Litton ..... D28/82  
D406,769 S \* 3/1999 Ackroyd ..... D9/558  
D408,285 S \* 4/1999 Favre ..... D9/503  
D443,514 S \* 6/2001 Lin ..... D28/76  
D455,956 S 4/2002 Thompson et al.  
6,435,642 B1 8/2002 Jackson et al.  
6,460,703 B1 10/2002 Thompson et al.  
D467,495 S 12/2002 Lenz et al.

(Continued)

**FOREIGN PATENT DOCUMENTS**

EM 002007831 6/2012  
SU 55352 S 3/1938

*Primary Examiner* — Dana Meyrow

(74) *Attorney, Agent, or Firm* — Greenberg Traurig, LLP

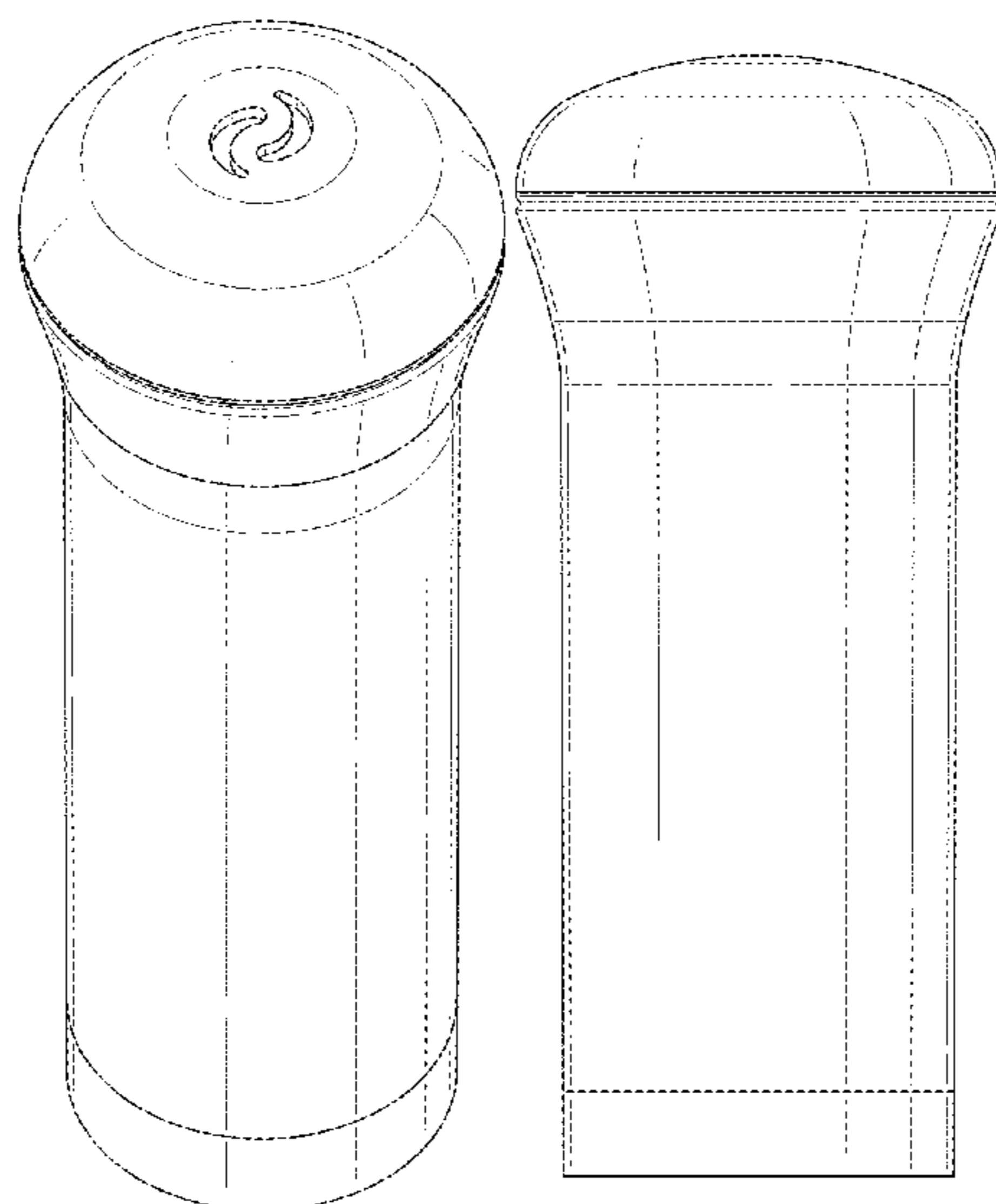
(57) **CLAIM**

The ornamental design for a dispenser, as shown and described.

**DESCRIPTION**

FIG. 1 is a top, front and side perspective view of a dispenser showing our new design;  
FIG. 2 is a front elevational view of the dispenser shown in FIG. 1;  
FIG. 3 is a rear elevational view of the dispenser shown in FIG. 1;  
FIG. 4 is a side elevational view of the dispenser shown in FIG. 1;  
FIG. 5 is an elevational view of another side of the dispenser shown in FIG. 1;  
FIG. 6 is a top plan view of the dispenser shown in FIG. 1; and,  
FIG. 7 is a bottom plan view of the dispenser shown in FIG. 1.  
The broken lines in the drawings illustrate the portions of the dispenser that form no part of the claimed design.

**1 Claim, 4 Drawing Sheets**



(56)

References Cited

U.S. PATENT DOCUMENTS

D480,000 S *	9/2003	Hirato .....	D9/504	D691,466 S	10/2013	Buogo et al.	
D494,064 S *	8/2004	Hook .....	D9/435	D702,546 S	4/2014	McAdam	
D504,812 S	5/2005	Keberlein et al.		D708,939 S *	7/2014	Zaikov .....	D9/504
D509,737 S *	9/2005	Hierzer .....	D9/447	D730,183 S *	5/2015	Fahl .....	D9/435
D509,739 S *	9/2005	Haruta .....	D9/504	D746,683 S *	1/2016	Fahl .....	D9/454
D518,713 S *	4/2006	Hierzer .....	D9/435	D759,488 S *	6/2016	Gibson .....	D9/454
D532,685 S	11/2006	Reussner		D762,080 S *	7/2016	Liebowitz .....	D7/300.1
D554,501 S	11/2007	Bone et al.		D771,800 S *	11/2016	Engelhard .....	D24/110
D558,570 S	1/2008	Sheppard et al.		D787,934 S	5/2017	Bore	
D559,099 S	1/2008	Sheppard et al.		D798,438 S *	9/2017	Engelhard .....	D24/110
D564,877 S *	3/2008	Hood .....	D9/454	D803,470 S *	11/2017	Austin, III .....	D26/118
D586,502 S	2/2009	Tearle		D812,480 S *	3/2018	Newson .....	D9/503
D600,110 S	9/2009	Cain		D812,485 S *	3/2018	Tempfli .....	D9/690
D603,261 S *	11/2009	Arnell .....	D9/453	D820,673 S	6/2018	Augustyniak et al.	
D603,704 S *	11/2009	Jost .....	D9/449	D822,481 S	7/2018	Rivera	
D634,632 S *	3/2011	Sridhar .....	D9/449	D835,986 S	12/2018	Stimpson	
D638,702 S	5/2011	Lowery et al.		10,322,845 B2	6/2019	Boersma et al.	
D655,168 S *	3/2012	In .....	D9/504	D885,882 S	6/2020	Tsuchihashi et al.	
D677,568 S *	3/2013	Sina .....	D9/451	D908,019 S *	1/2021	Ruthe-Steinsiek .....	D9/727
D688,946 S *	9/2013	Pirincci .....	D9/454	2004/0099558 A1	5/2004	Oliff et al.	
				2004/0188508 A1	9/2004	Holley, Jr. et al.	
				2005/0126947 A1	6/2005	Holley	

\* cited by examiner

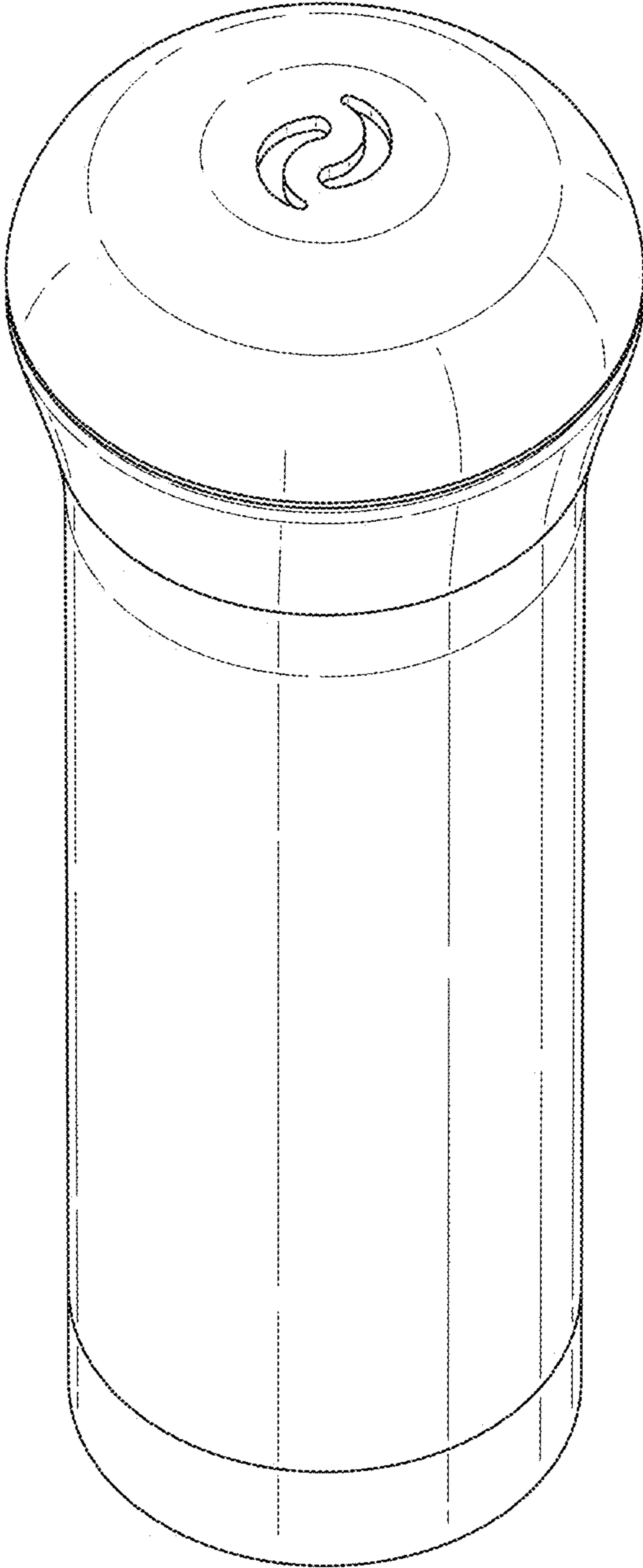


Fig. 1

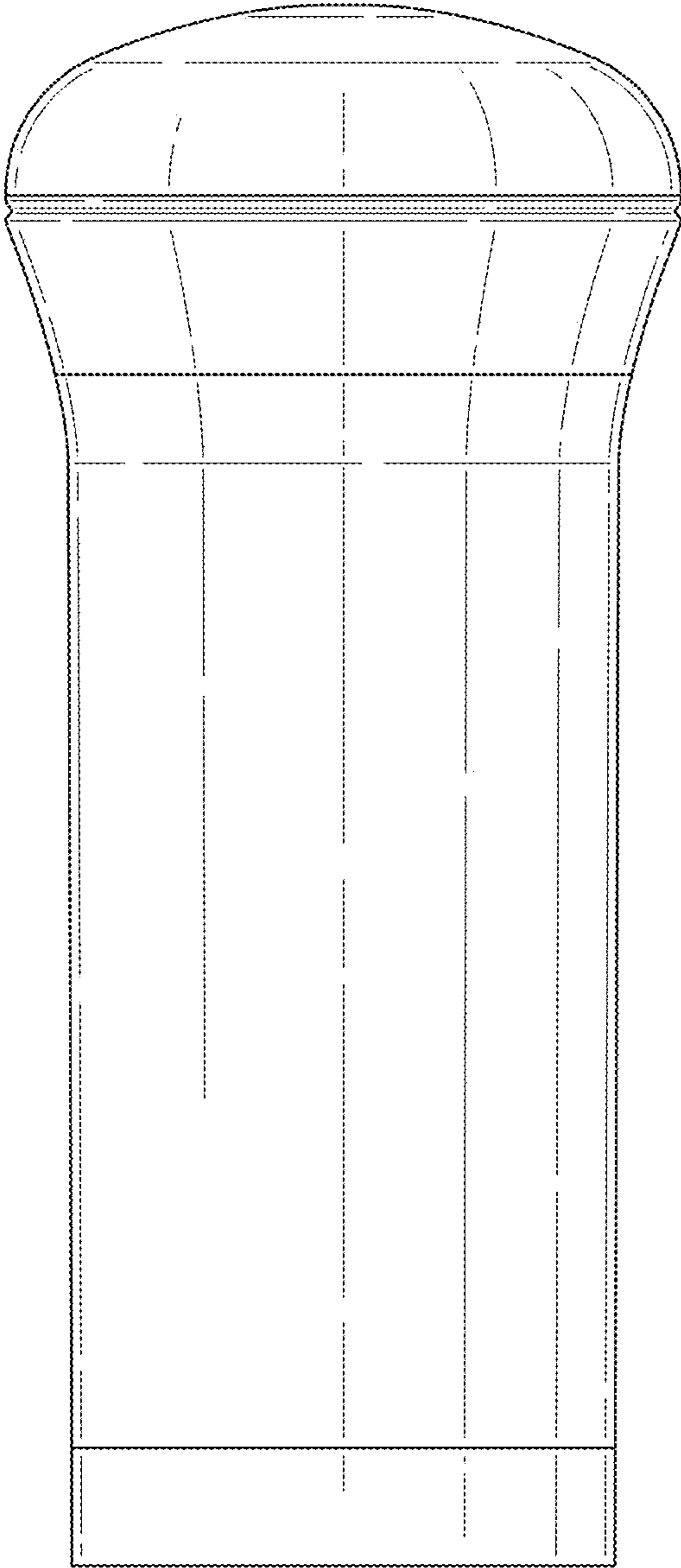


Fig. 2

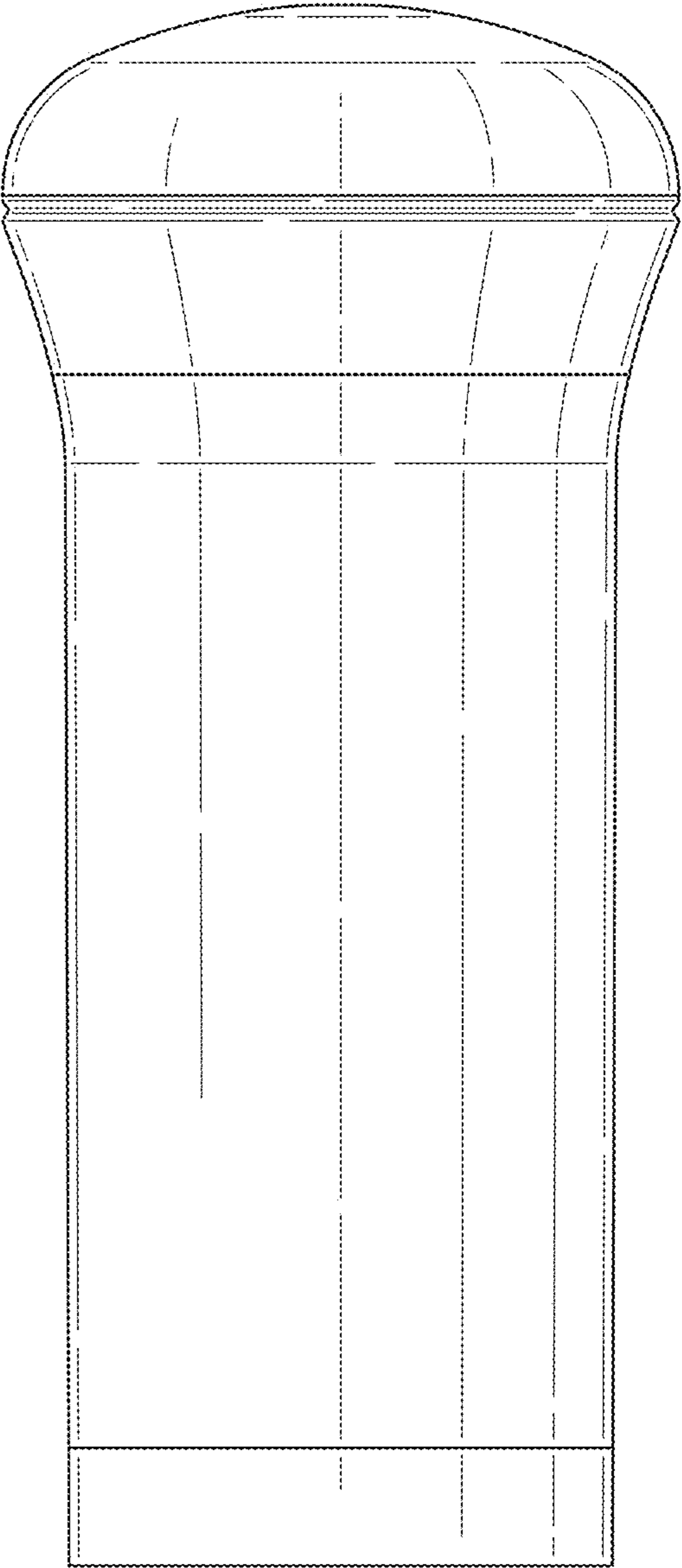


Fig. 3

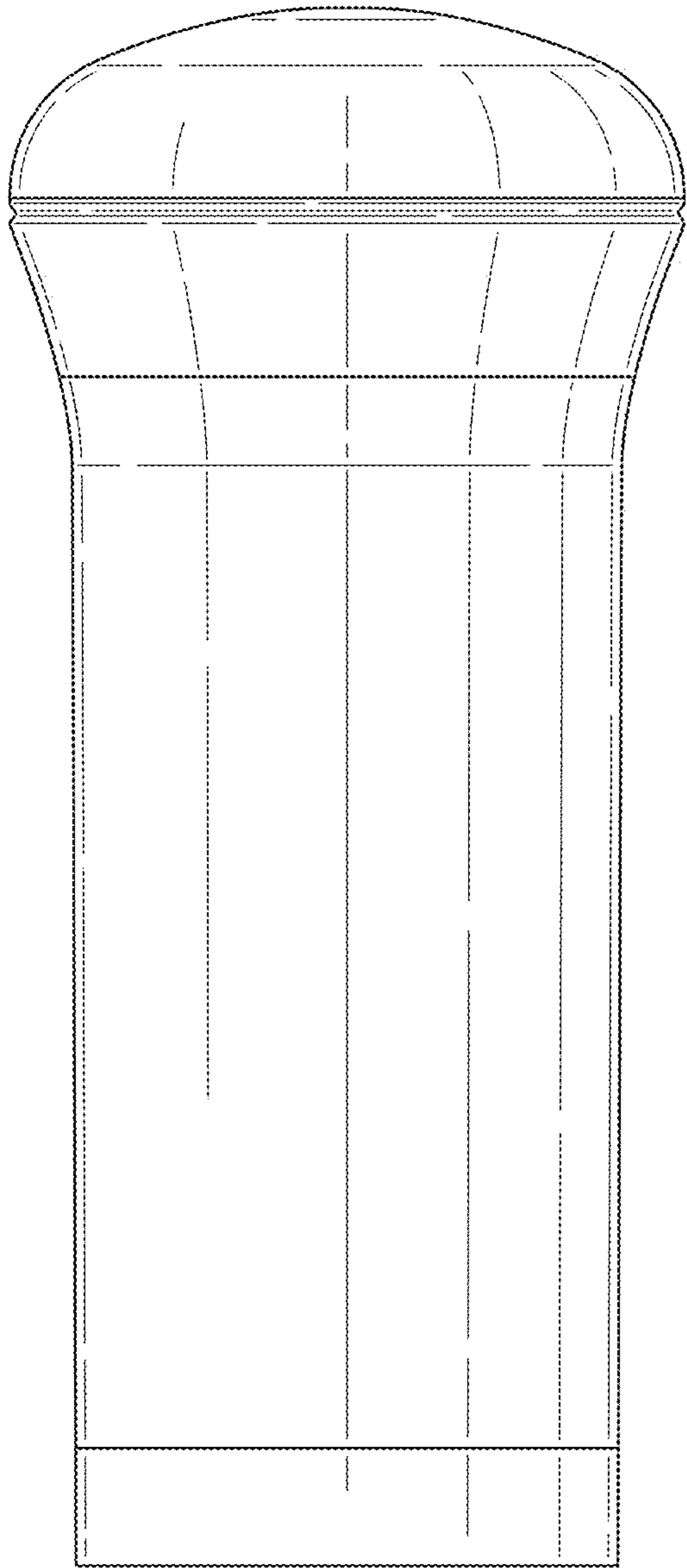


Fig. 4

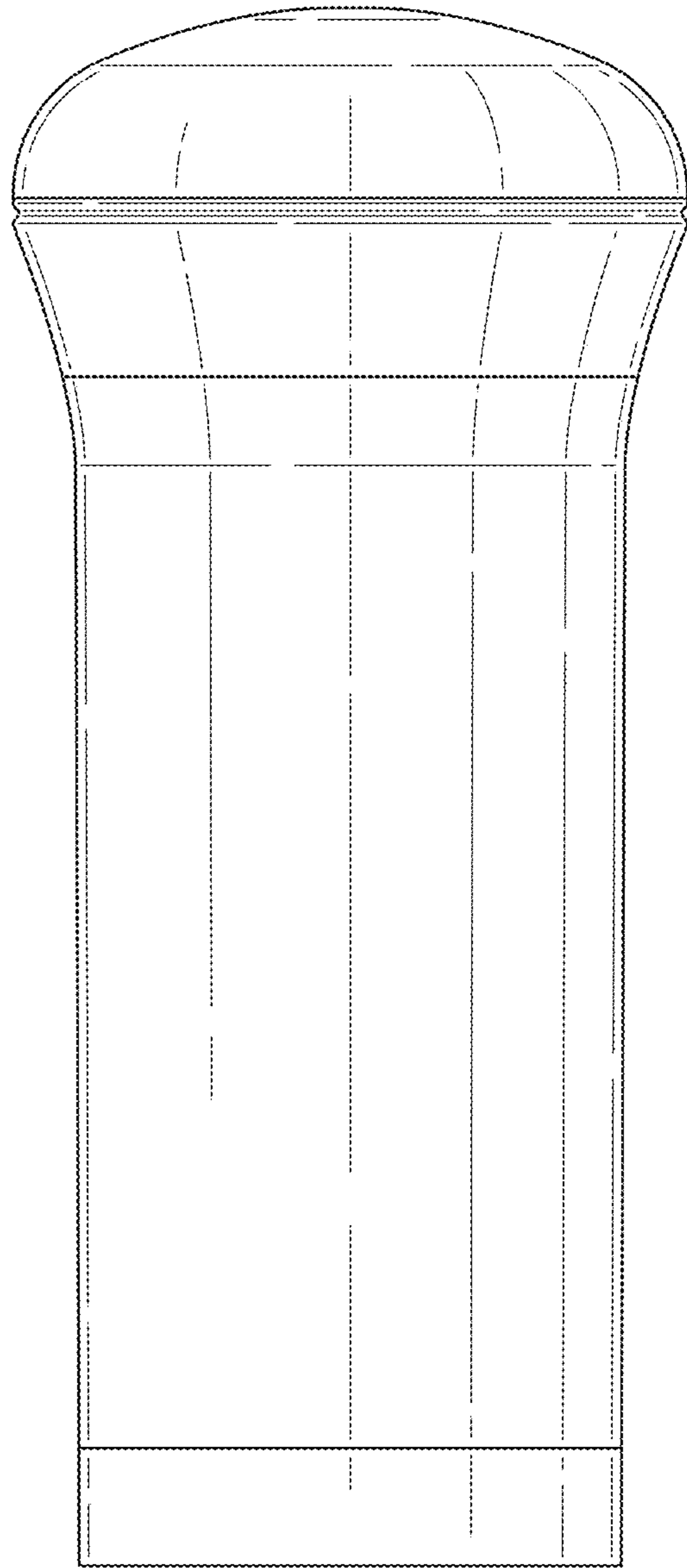


Fig. 5

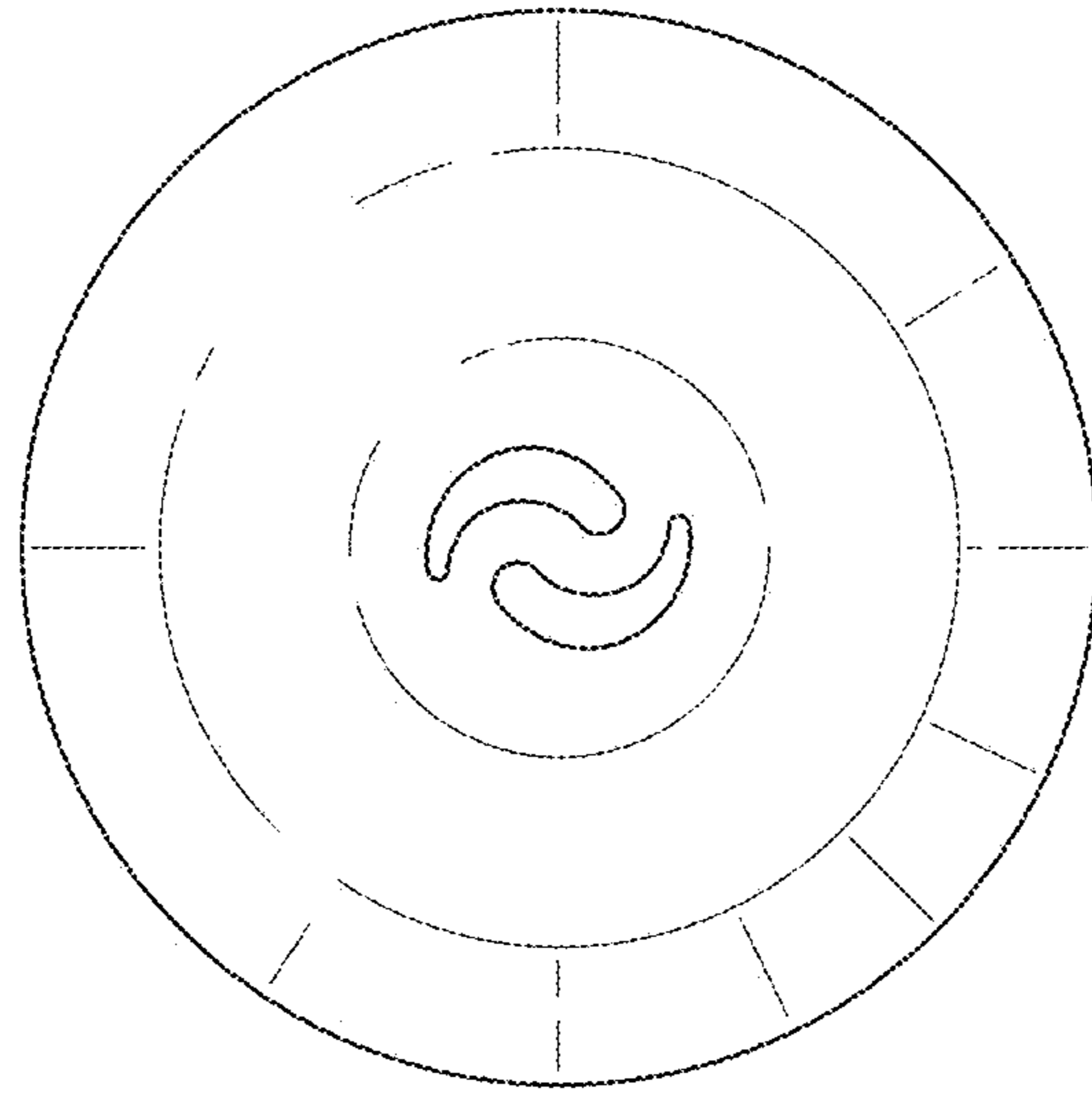


Fig. 6

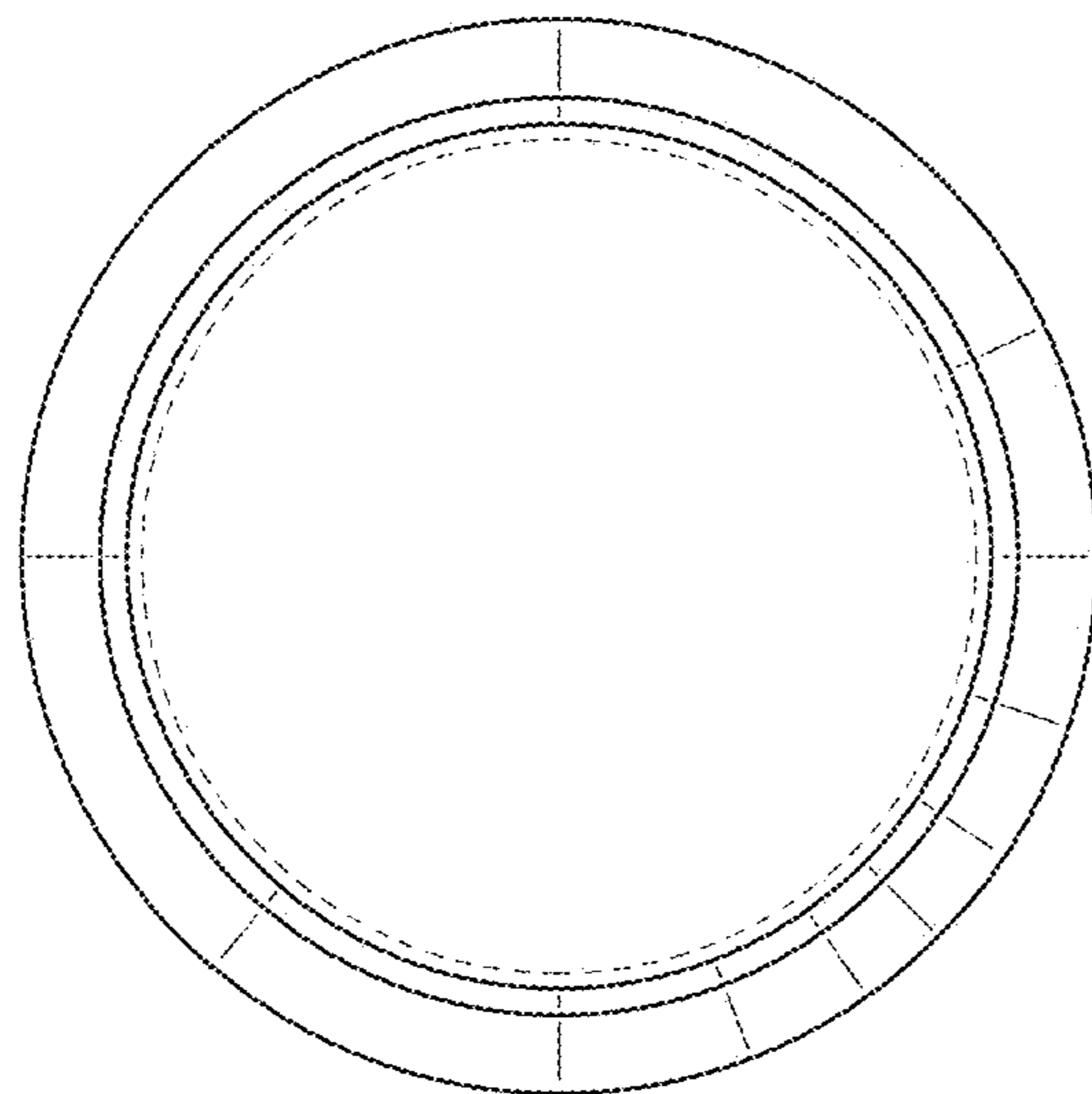


Fig. 7