



US00D932898S

(12) **United States Design Patent**
Dygart et al.

(10) **Patent No.:** **US D932,898 S**
(45) **Date of Patent:** **** Oct. 12, 2021**

(54) **CONTAINER**

(71) Applicant: **RING CONTAINER TECHNOLOGIES, LLC**, Oakland, TN (US)

(72) Inventors: **Douglas Miles Dygart**, Olive Branch, MS (US); **Douglas A. Woodring**, Somerville, TN (US); **Paul Vincent Kelley**, Arlington, TN (US)

(73) Assignee: **RING CONTAINER TECHNOLOGIES, LLC**, Oakland, TN (US)

(**) Term: **15 Years**

(21) Appl. No.: **29/685,667**

(22) Filed: **Mar. 29, 2019**

(51) **LOC (13) Cl.** **09-03**

(52) **U.S. Cl.**
USPC **D9/502; D9/520**

(58) **Field of Classification Search**
USPC D9/652, 667, 772, 500-505, 516, 520, D9/530, 537, 538, 544, 545, 549, 557, D9/443, 449, 452; D28/76, 77, 82, 88, D28/91.1; D24/121, 197; D7/601, 602, D7/605
CPC B65D 1/00; B65D 1/02; B65D 1/0207; B65D 1/0223; B65D 21/0209; B65D 21/0213; B65D 2501/00; B65D 2501/0009
See application file for complete search history.

(56) **References Cited**

U.S. PATENT DOCUMENTS

D212,276 S * 9/1968 Lodding et al. D9/538
D292,378 S * 10/1987 Brandt D9/557
D380,685 S * 7/1997 Steih D9/500

D427,910 S * 7/2000 Barnes D9/502
D428,814 S * 8/2000 Silvers D9/502
D432,423 S * 10/2000 Rashid D9/502
D450,244 S * 11/2001 Rashid D9/502
D467,503 S * 12/2002 Silvers D9/502
D536,255 S * 2/2007 Corbett D9/538
D541,174 S * 4/2007 Spellissy D9/502
D641,629 S * 7/2011 Miceli D9/502
9,394,072 B2 * 7/2016 Patcheak B65D 1/0276
9,555,927 B2 * 1/2017 Nakayama B65D 23/001
9,751,679 B2 * 9/2017 Stelzer B65D 79/005
D815,947 S * 4/2018 Hurley D9/502
D840,236 S * 2/2019 Arianpour D9/534
10,195,781 B2 * 2/2019 Dygart B65D 1/0276
D845,772 S * 4/2019 Hall D9/502
10,252,458 B2 * 4/2019 Dygart B29C 49/4278
10,518,924 B2 * 12/2019 Woloszyk B29C 49/46
D878,211 S * 3/2020 Dutra D9/516
10,583,602 B2 * 3/2020 Koerner B29C 49/4273
2003/0196926 A1 * 10/2003 Tobias B65D 21/0231
206/509

(Continued)

Primary Examiner — Sharon S Oum

(74) *Attorney, Agent, or Firm* — Sorell, Lenna & Schmidt, LLP

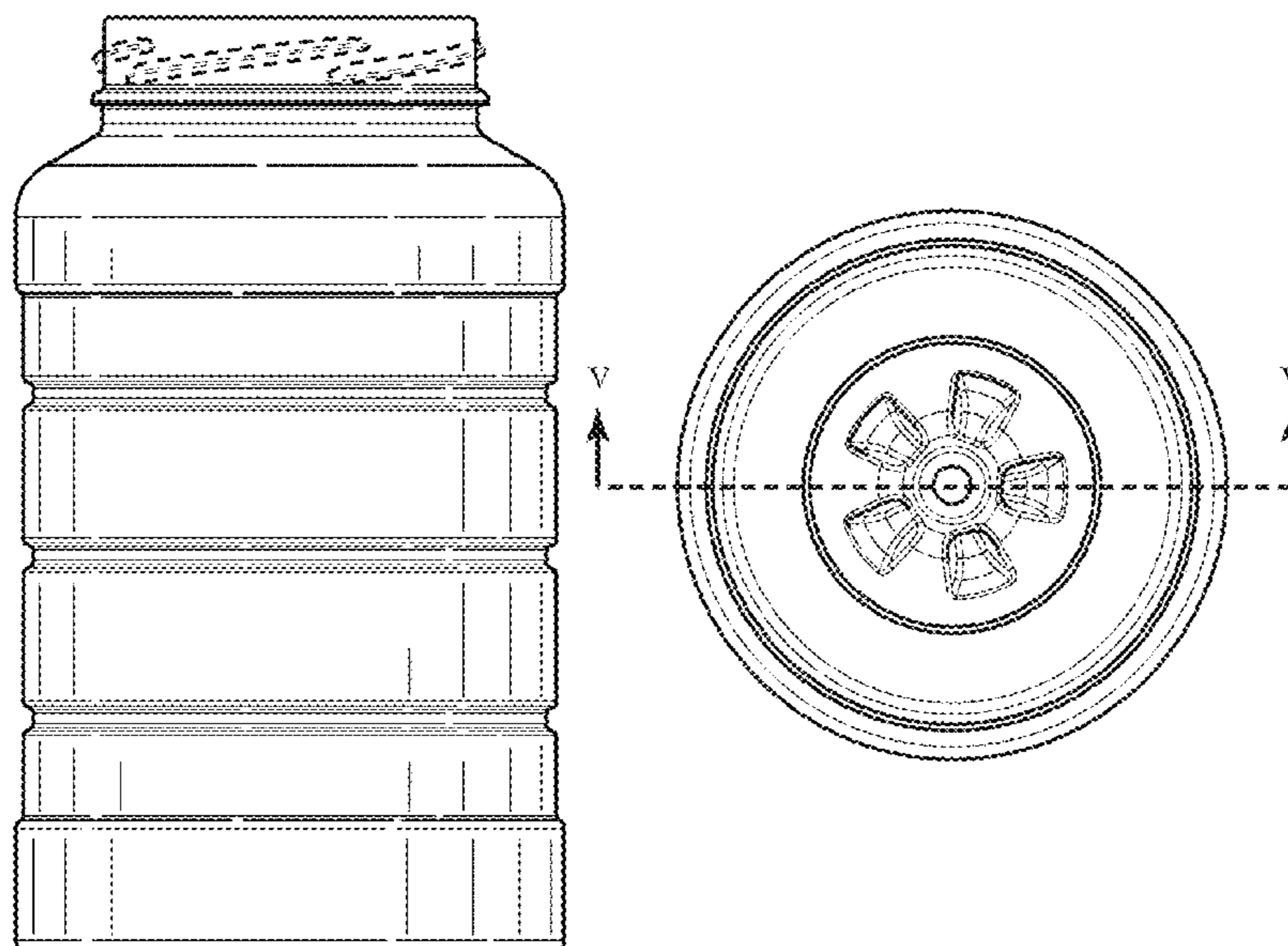
(57) **CLAIM**

The ornamental design for a container, as shown and described.

DESCRIPTION

FIG. 1 is an isometric view of a container;
FIG. 2 is a front view of the container, the back view, the left side view and the right side view being identical thereto;
FIG. 3 is a top view of the container;
FIG. 4 is a bottom view of the container; and,
FIG. 5 is a cross sectional side view of a portion of the container, taken along line V-V shown in FIG. 4.
The broken lines illustrate portions of the container that form no part of the claimed design.

1 Claim, 4 Drawing Sheets



(56)

References Cited

U.S. PATENT DOCUMENTS

2012/0074151 A1* 3/2012 Gill B65D 1/0223
220/669
2014/0131368 A1* 5/2014 Dygert B65D 79/005
220/609
2017/0197773 A1* 7/2017 Melrose B29C 49/4802
2020/0307888 A1* 10/2020 Dygert B65D 1/0246
2021/0061534 A1* 3/2021 Tsuchiya B65D 1/02
2021/0070521 A1* 3/2021 Tsuchiya B65D 1/0276

* cited by examiner

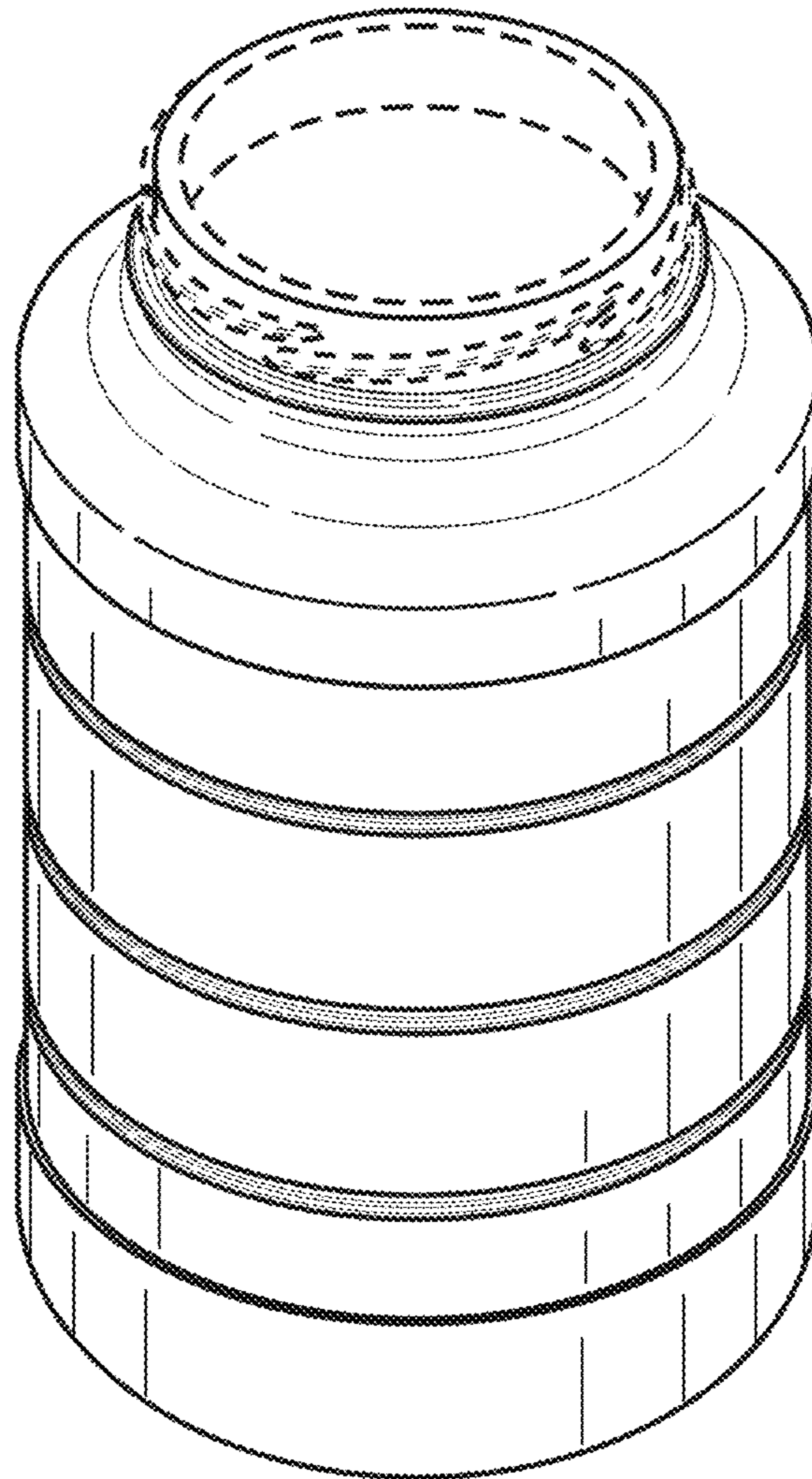


FIG. 1

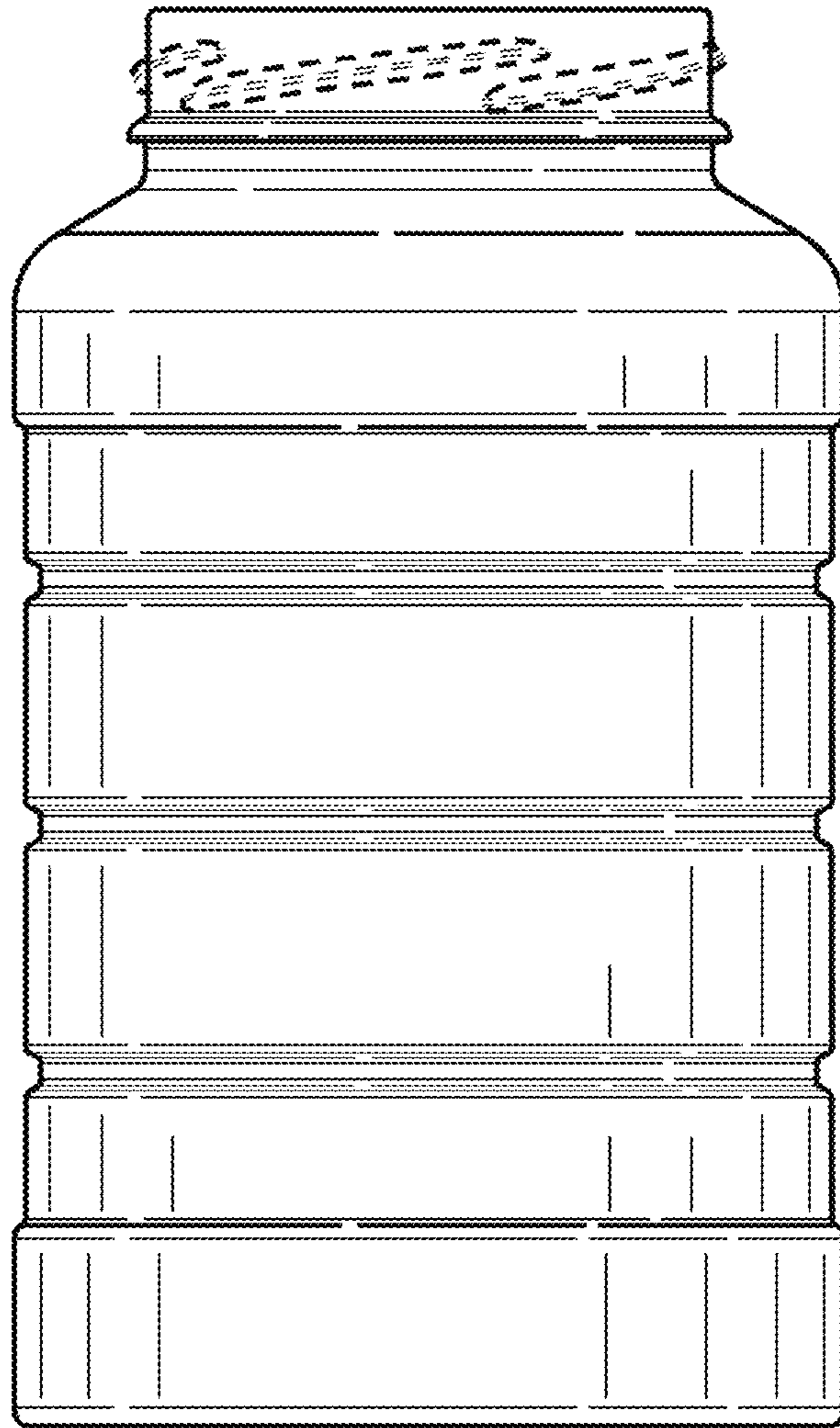


FIG. 2

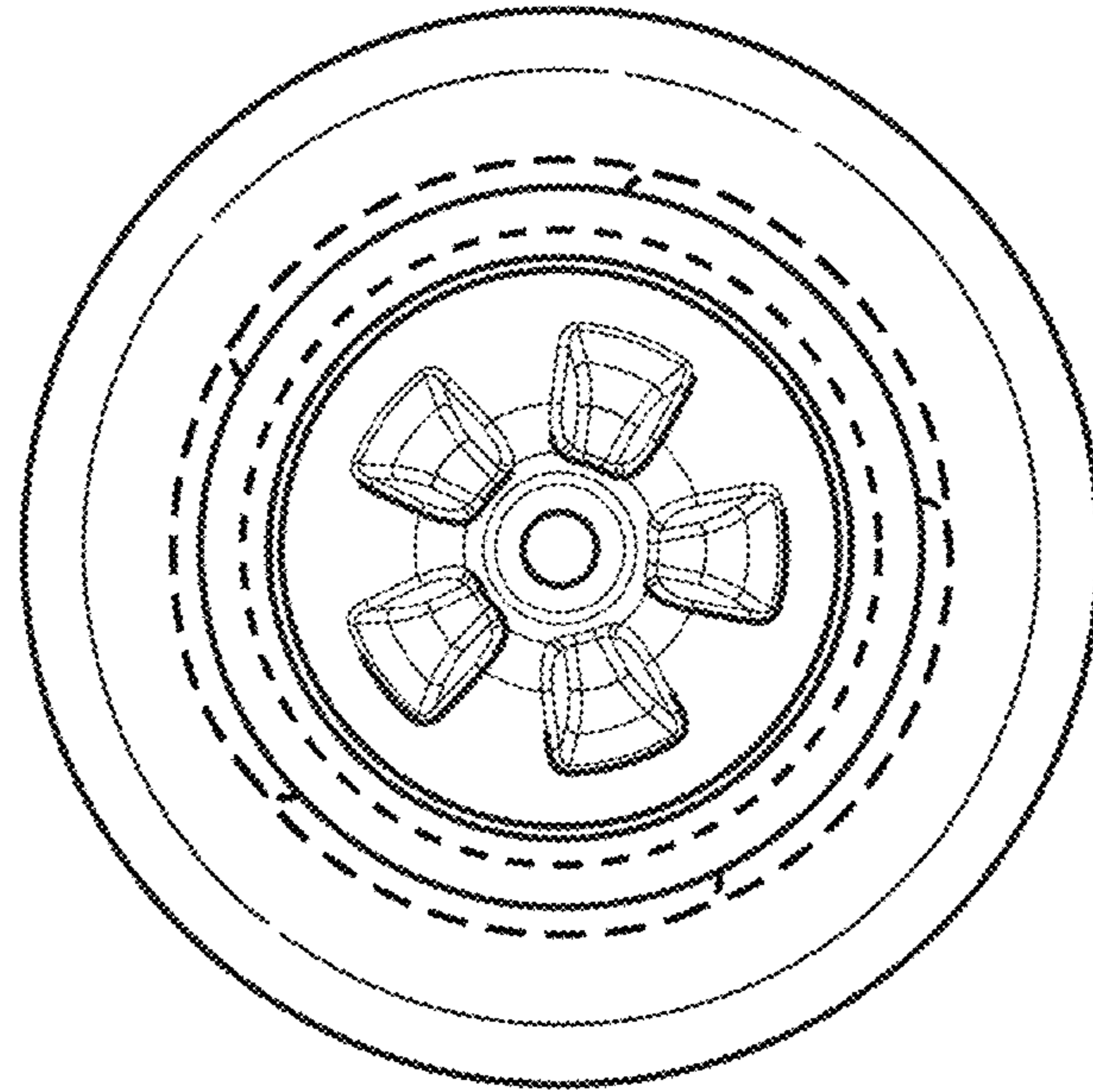


FIG. 3

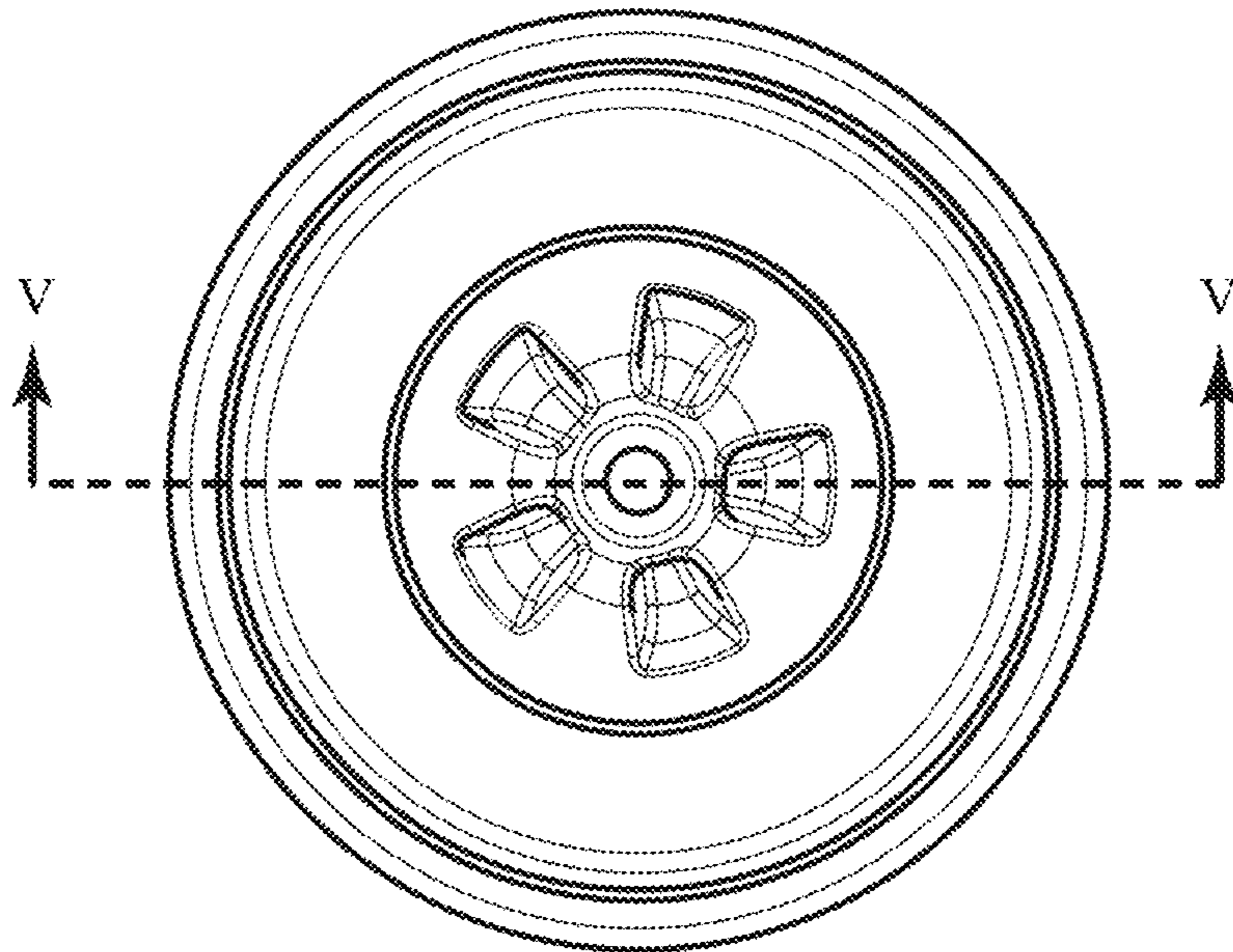


FIG. 4

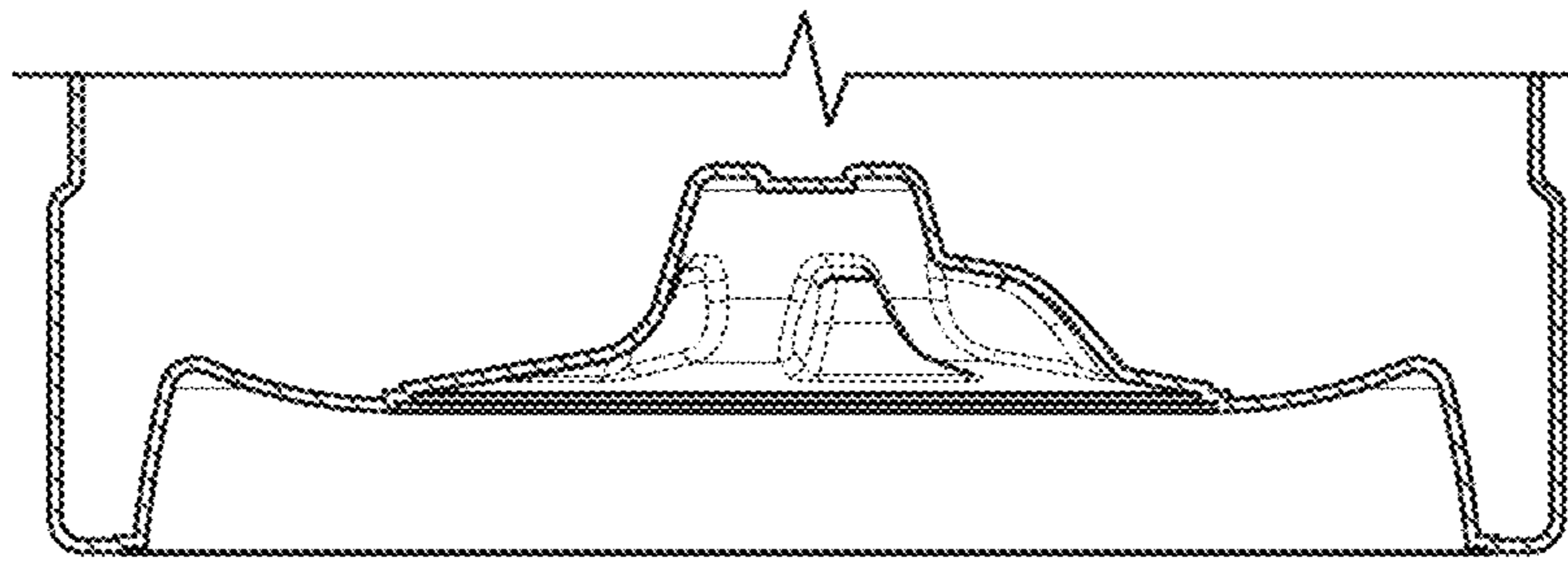


FIG. 5