

US00D932897S

(12) **United States Design Patent** (10) **Patent No.:** **US D932,897 S**  
**Moyal et al.** (45) **Date of Patent:** **\*\* Oct. 12, 2021**

(54) **BOTTLE**  
(71) Applicant: **SHAMROCK FOODS COMPANY**,  
Phoenix, AZ (US)  
(72) Inventors: **Damien Moyal**, Phoenix, AZ (US);  
**James Stelzer**, Phoenix, AZ (US);  
**Pankaj Kumar**, Phoenix, AZ (US);  
**Stuart Whitworth**, Phoenix, AZ (US);  
**Paula Grant**, Phoenix, AZ (US);  
**Dominic DeMaria**, Phoenix, AZ (US);  
**James Grant**, Phoenix, AZ (US);  
**Laurel Gillispie**, Phoenix, AZ (US);  
**Melissa Piombo**, Phoenix, AZ (US);  
**Tyana Soto**, Phoenix, AZ (US)

D630,513 S 1/2011 Zoppas  
D653,951 S 2/2012 Scott  
D689,375 S \* 9/2013 Garner ..... D9/745  
D705,065 S 5/2014 Egret  
D740,663 S \* 10/2015 Zeboudj ..... D9/502  
D746,685 S \* 1/2016 Foley ..... D9/502  
D746,686 S \* 1/2016 Yourist ..... D9/502  
D746,687 S \* 1/2016 Yourist ..... D9/502  
D746,688 S \* 1/2016 Yourist ..... D9/502  
D788,591 S 6/2017 Westhofen  
D815,948 S \* 4/2018 McCarney ..... D9/502  
D845,772 S \* 4/2019 Hall ..... D9/502  
10,518,924 B2 \* 12/2019 Woloszyk ..... B29C 49/46  
D874,934 S \* 2/2020 Yourist ..... D9/502  
D878,211 S \* 3/2020 Dutra ..... D9/516

(Continued)

(73) Assignee: **Shamrock Foods Company**, Phoenix,  
AZ (US)

(\*\*) Term: **15 Years**

(21) Appl. No.: **29/668,755**

(22) Filed: **Nov. 1, 2018**

(51) **LOC (13) Cl.** ..... **09-03**

(52) **U.S. Cl.**  
USPC ..... **D9/502; D9/520; D9/557**

(58) **Field of Classification Search**  
USPC ..... D9/652, 667, 772, 500-505, 516, 520,  
D9/530, 537, 538, 544, 545, 549, 557,  
D9/443, 449, 452; D28/76, 77, 82, 88,  
D28/91.1; D24/121, 197; D7/601, 602,  
D7/605  
CPC ..... B65D 1/00; B65D 1/02; B65D 1/0207;  
B65D 1/0223; B65D 21/0209; B65D  
21/0213; B65D 2501/00; B65D  
2501/0009

See application file for complete search history.

(56) **References Cited**

U.S. PATENT DOCUMENTS

D467,179 S 12/2002 Nelson  
D473,143 S 4/2003 McClure

**OTHER PUBLICATIONS**

Shamrock Farms Rebranding Protein, Cold Brew Lines, date first posted and archived Nov. 28, 2017, site visited Jul. 31, 2020, Copyright © 1996-2017, <<https://web.archive.org/web/20171128212504/https://www.bevnet.com/news/2017/shamrock-farms-rebranding-protein-cold-brew-lines>>.\*

*Primary Examiner* — Sharon S Oum

(74) *Attorney, Agent, or Firm* — Polsinelli PC

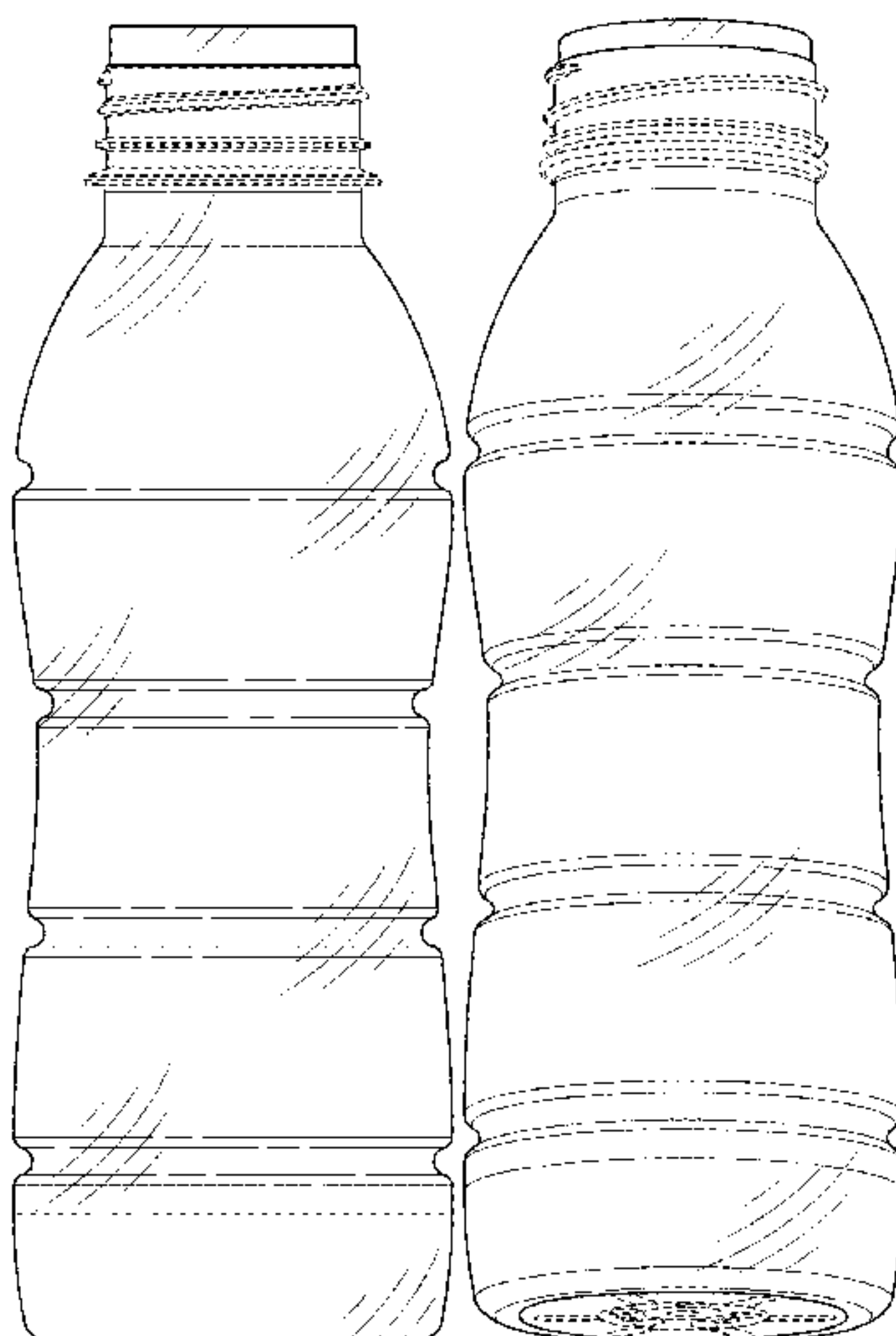
(57) **CLAIM**

The ornamental design for a bottle, as shown and described.

**DESCRIPTION**

FIG. 1 is a perspective view of a bottle.  
FIG. 2 is side view of the bottle.  
FIG. 3 is an opposite side view of the bottle.  
FIG. 4 is a top view of the bottle.  
FIG. 5 is a bottom view of the bottle; and,  
FIG. 6 is a bottom perspective view of the bottle.  
The broken lines in the drawings illustrate portions of the bottle and form no part of the claimed design.

**1 Claim, 4 Drawing Sheets**



(56)

**References Cited**

U.S. PATENT DOCUMENTS

D889,264 S \* 7/2020 Cartis ..... D9/500  
2012/0074151 A1\* 3/2012 Gill ..... B65D 1/0223  
220/669

\* cited by examiner



FIG. 1

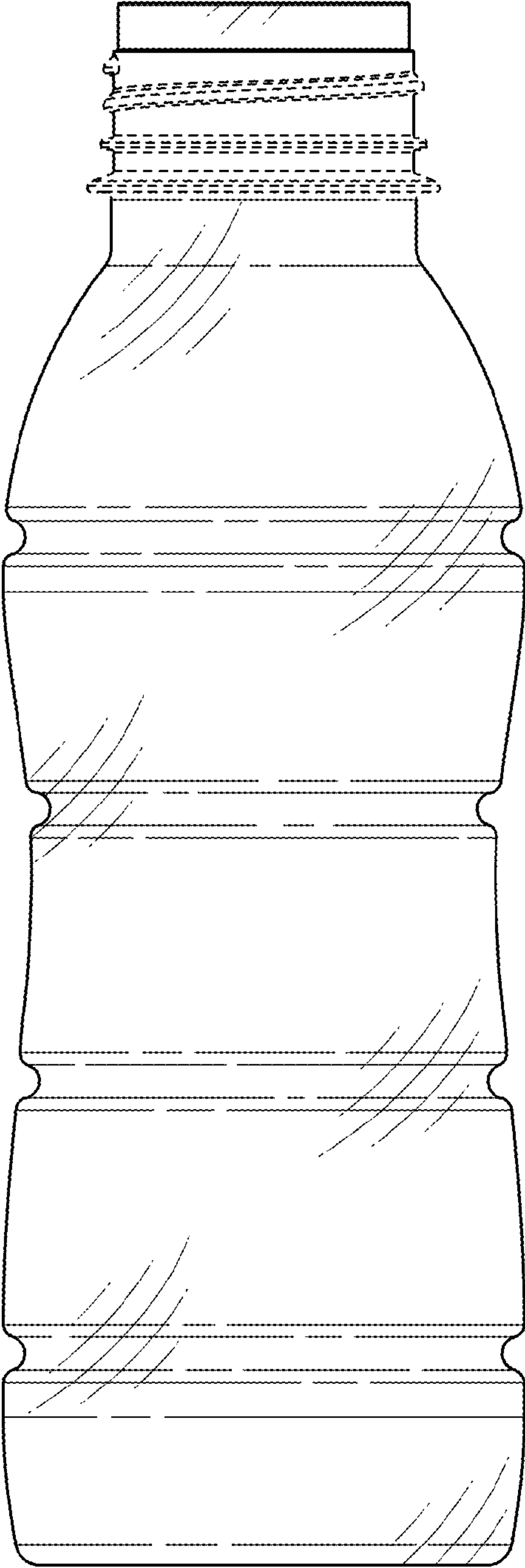


FIG. 2

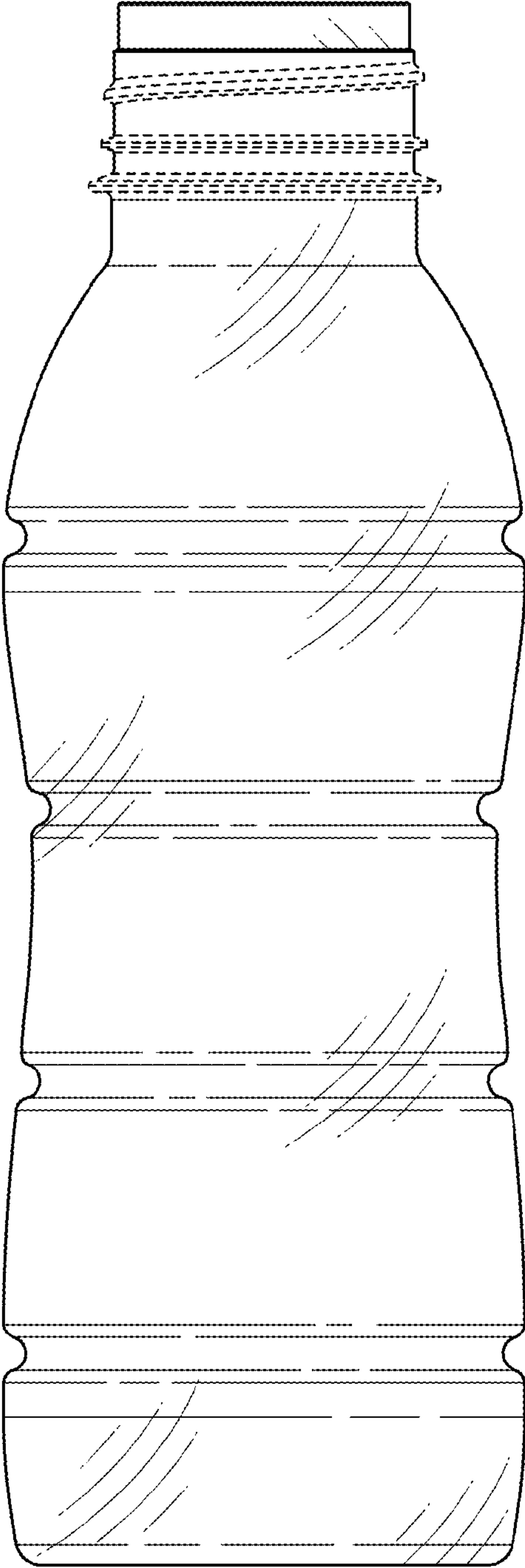


FIG. 3

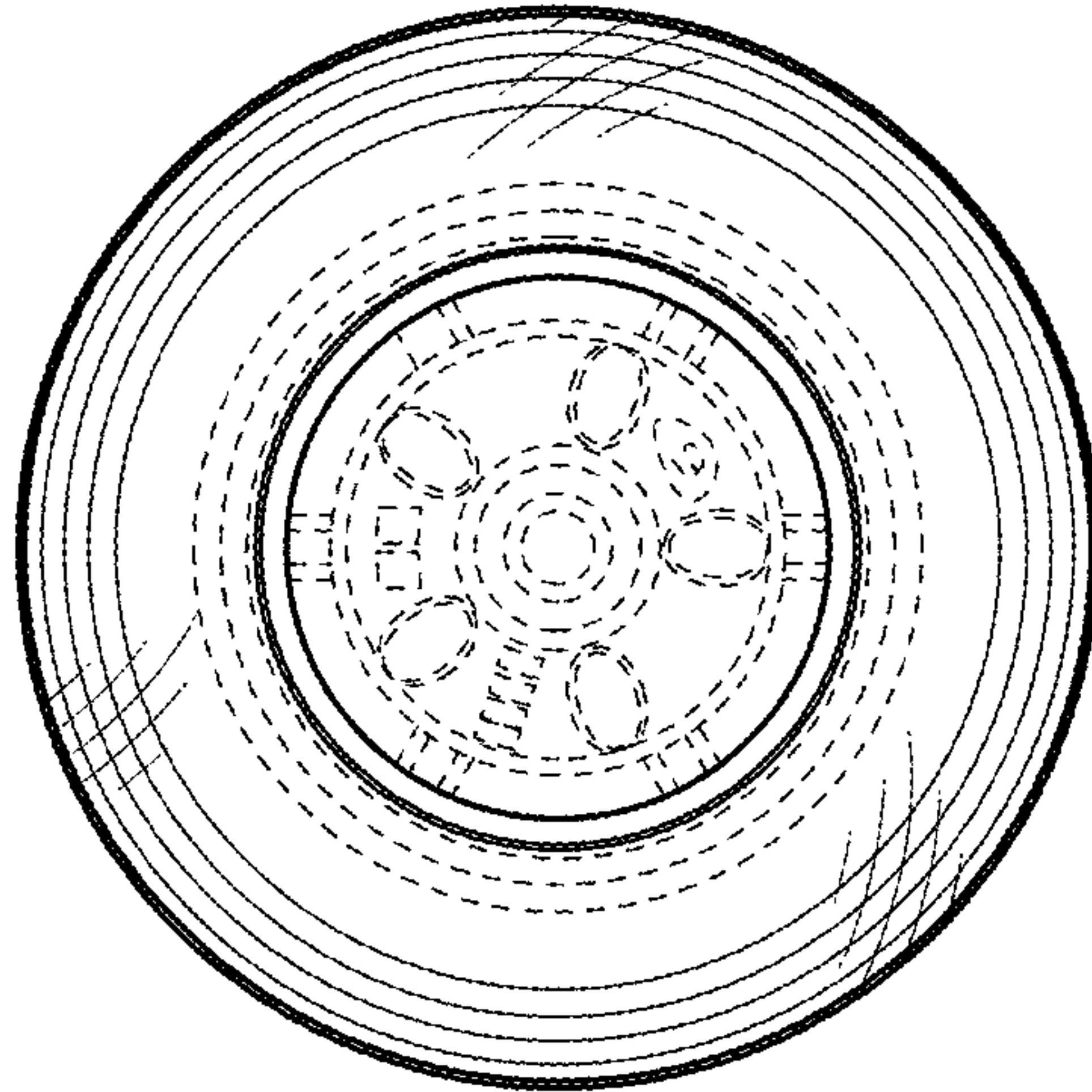


FIG. 4

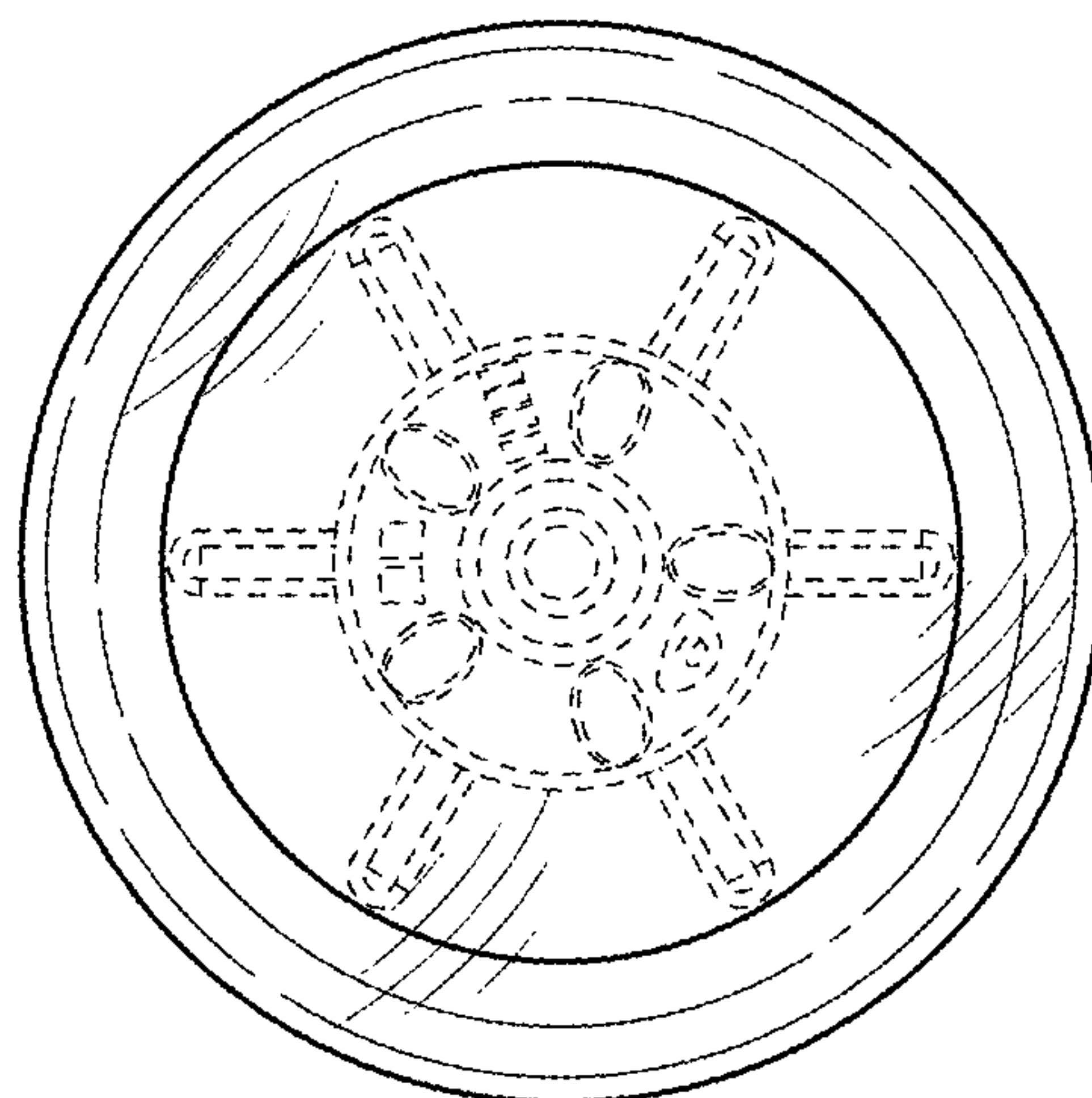


FIG. 5



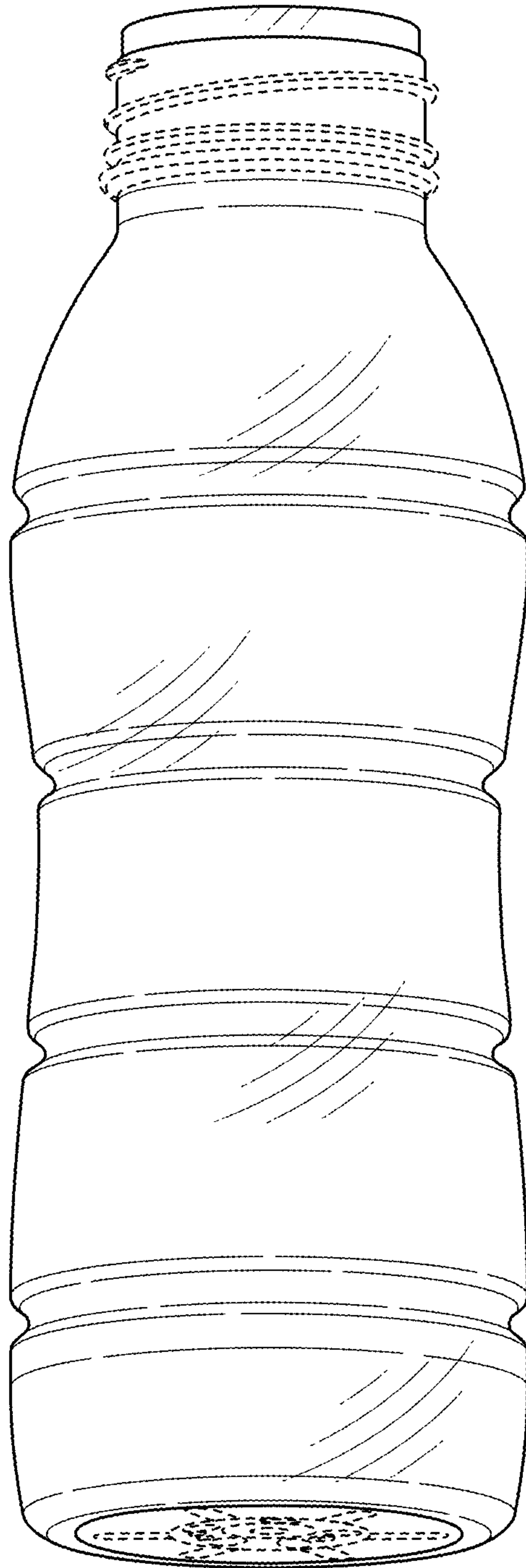


FIG. 6