



US00D932894S

(12) **United States Design Patent** (10) **Patent No.:** **US D932,894 S**  
**Li** (45) **Date of Patent:** **\*\* Oct. 12, 2021**

(54) **WINE STOPPER**  
(71) Applicant: **PINGYANG HUACHANG  
HARDWARE PLASTIC FACTORY,  
Wenzhou (CN)**  
(72) Inventor: **Renjie Li, Wenzhou (CN)**  
(\*\*) Term: **15 Years**  
(21) Appl. No.: **29/749,593**  
(22) Filed: **Sep. 8, 2020**  
(51) **LOC (13) Cl.** ..... **09-07**  
(52) **U.S. Cl.**  
USPC ..... **D9/441**  
(58) **Field of Classification Search**  
USPC ..... D9/434-436, 439-441, 443, 444, 451,  
D9/499, 503, 505, 529, 544-546, 629;  
D7/300, 317, 387, 391, 392, 507, 598,  
D7/599, 628; D8/18, 33, 38, 40, 42, 43  
CPC ..... B65D 39/00; B65D 39/0035;  
B65D 39/0047; B65D 39/0052; B65D  
39/0082; B65D 39/12; B65D 39/16;  
B65D 45/00; B65D 45/025; B65D 45/04;  
B65D 45/06  
See application file for complete search history.

D207,432 S \* 4/1967 Salvatico ..... D9/440  
4,305,515 A \* 12/1981 Tontarelli ..... B65D 45/025  
215/244  
D280,294 S \* 8/1985 Resnick ..... D9/441  
5,056,676 A \* 10/1991 Allen ..... B65D 45/24  
215/284  
5,289,930 A \* 3/1994 Inouye ..... B65D 83/00  
D9/436  
D385,490 S \* 10/1997 Sullivan ..... D9/439  
D404,305 S \* 1/1999 De Baschmakoff ..... D9/443  
6,419,104 B1 \* 7/2002 Sarajian ..... B05B 12/26  
220/234  
D541,608 S \* 5/2007 Nichols ..... D9/441  
D790,354 S \* 6/2017 Veletakos ..... D9/629  
D866,341 S \* 11/2019 Sofer ..... D9/629  
D869,948 S 12/2019 Hwang  
D926,033 S \* 7/2021 Sullivan ..... D9/439  
2008/0197104 A1 \* 8/2008 Wang Wu ..... B65D 39/14  
215/355  
2020/0207522 A1 \* 7/2020 Sullivan ..... B65D 39/12

\* cited by examiner

Primary Examiner — Wendy L Arminio

(57) **CLAIM**

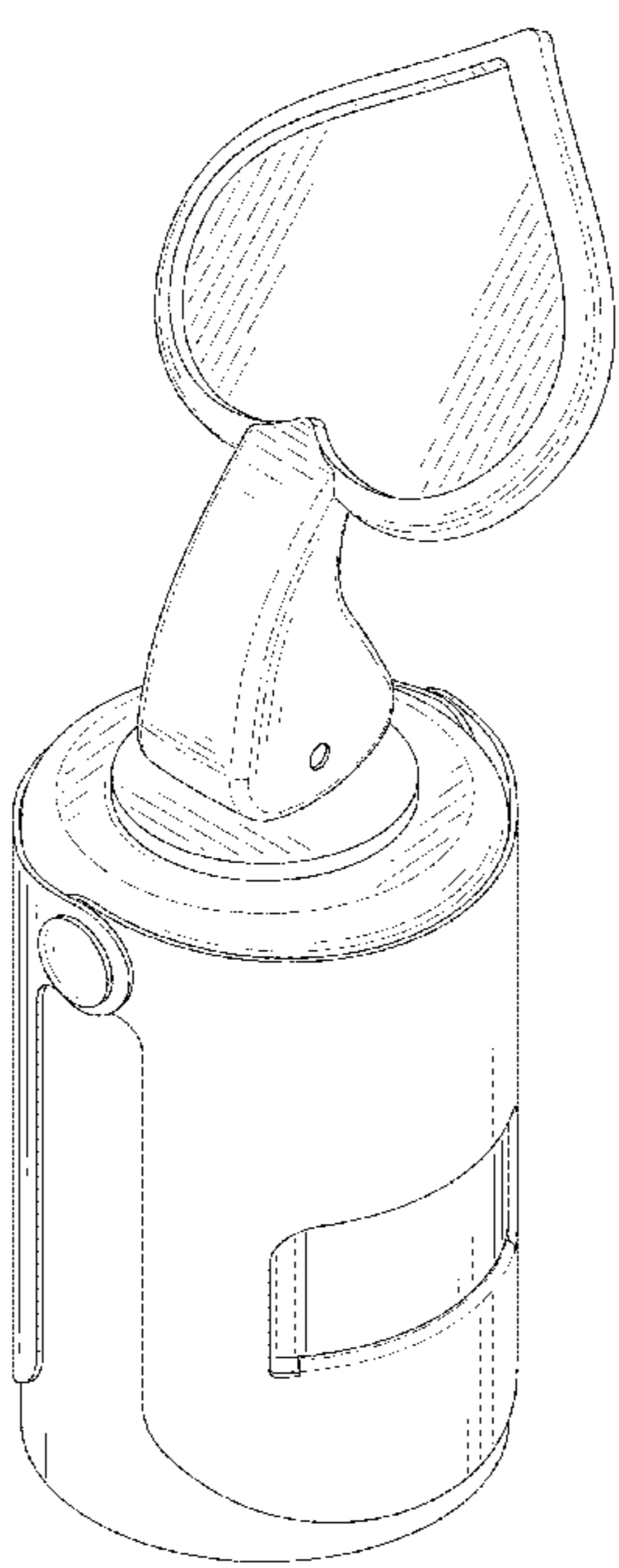
The ornamental design for a wine stopper, as shown and described.

**DESCRIPTION**

FIG. 1 is a front and top perspective view of a wine stopper, showing my new design;  
FIG. 2 is a rear and bottom perspective view thereof;  
FIG. 3 is a front elevational view thereof;  
FIG. 4 is a rear elevational view thereof;  
FIG. 5 is a left side elevational view thereof;  
FIG. 6 is a right side elevational view thereof;  
FIG. 7 is a top plan view thereof; and,  
FIG. 8 is a bottom plan view thereof.

**1 Claim, 8 Drawing Sheets**

(56) **References Cited**  
U.S. PATENT DOCUMENTS  
1,316,322 A \* 9/1919 Patronell ..... B65D 39/12  
215/359  
2,292,149 A \* 8/1942 Moeller ..... B65D 39/12  
215/359  
2,315,538 A \* 4/1943 Moeller ..... B65D 39/12  
215/359  
D157,368 S \* 2/1950 Gould, Jr. .... D9/441  
D164,929 S \* 10/1951 Hobé ..... D9/629



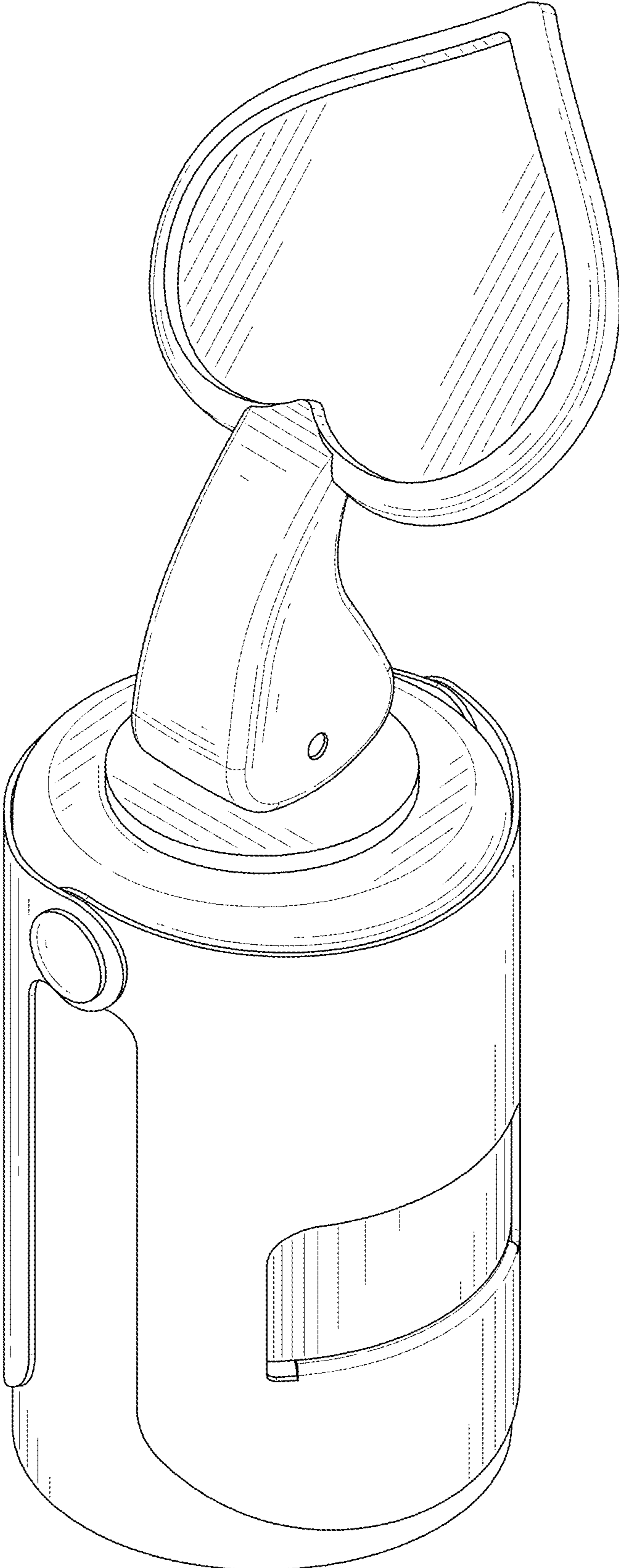


FIG. 1

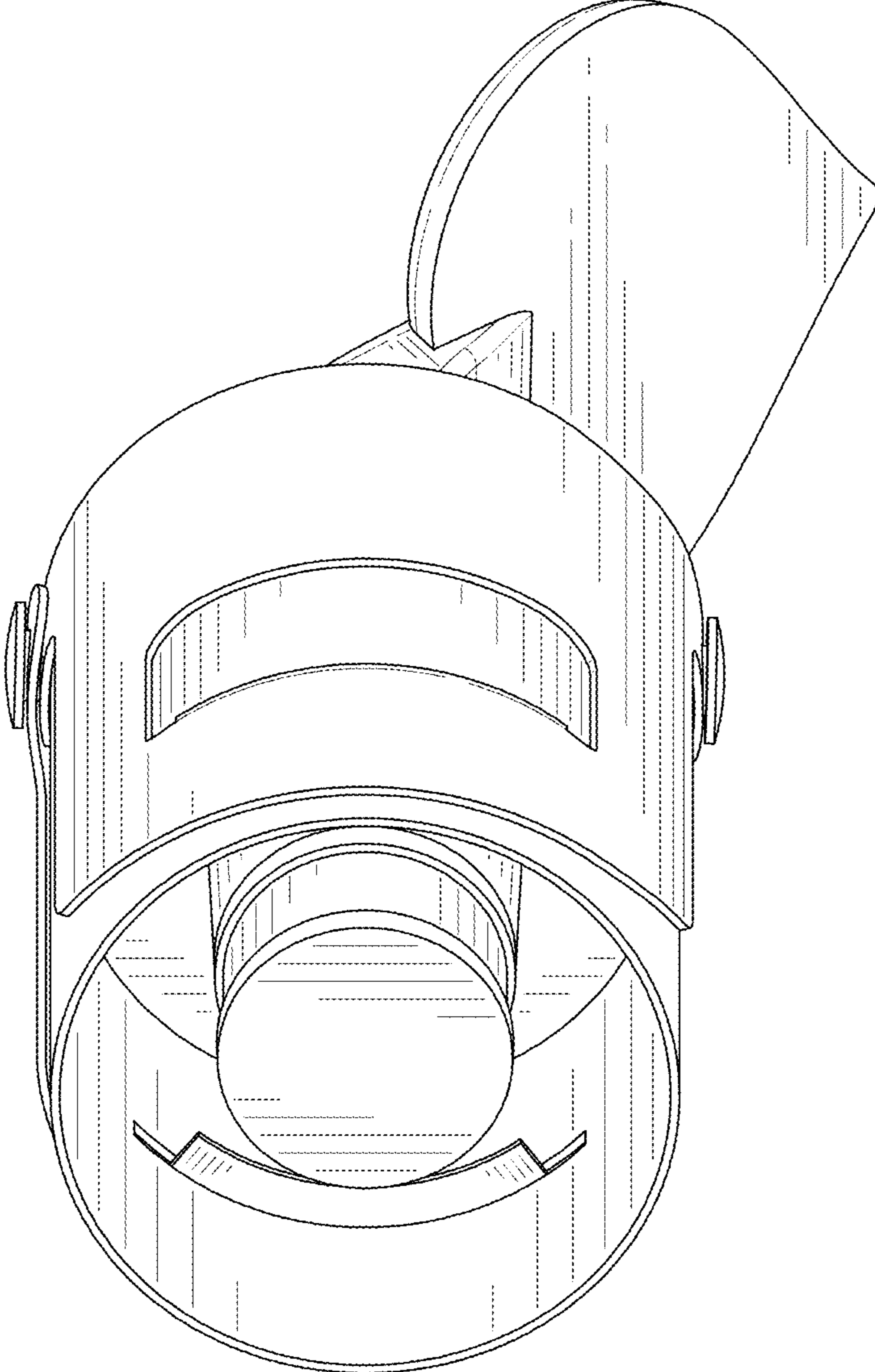


FIG. 2

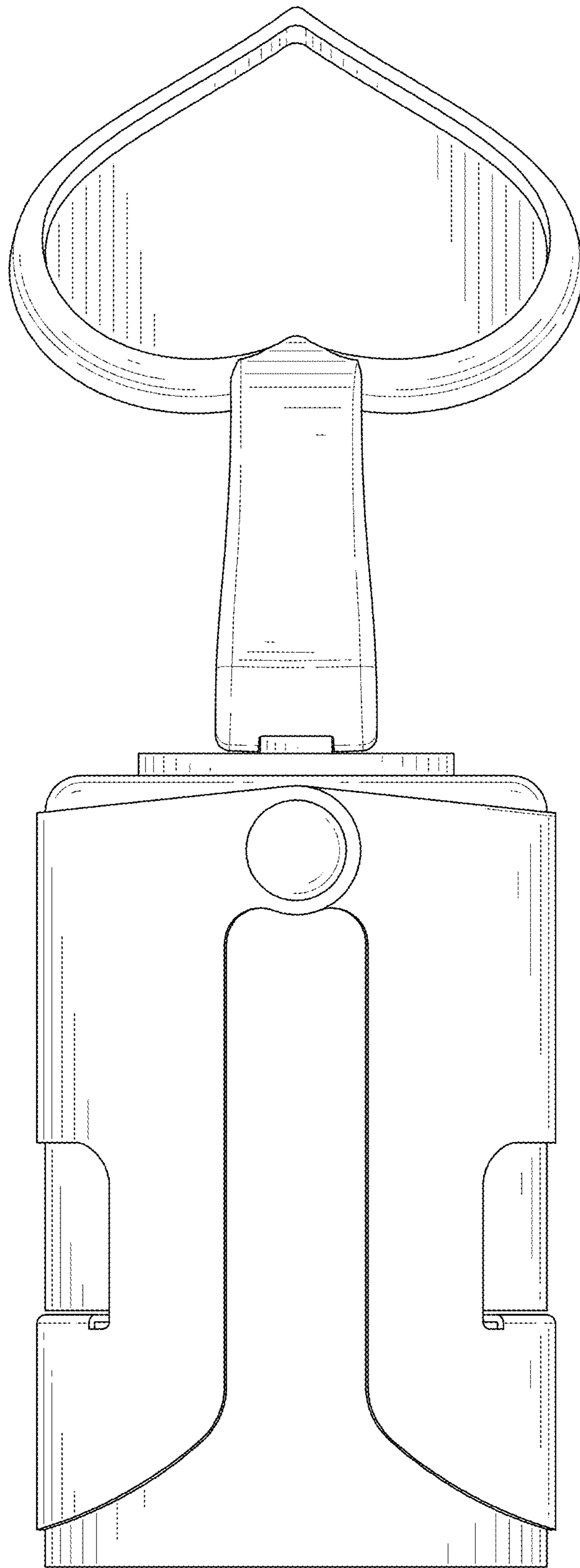


FIG. 3

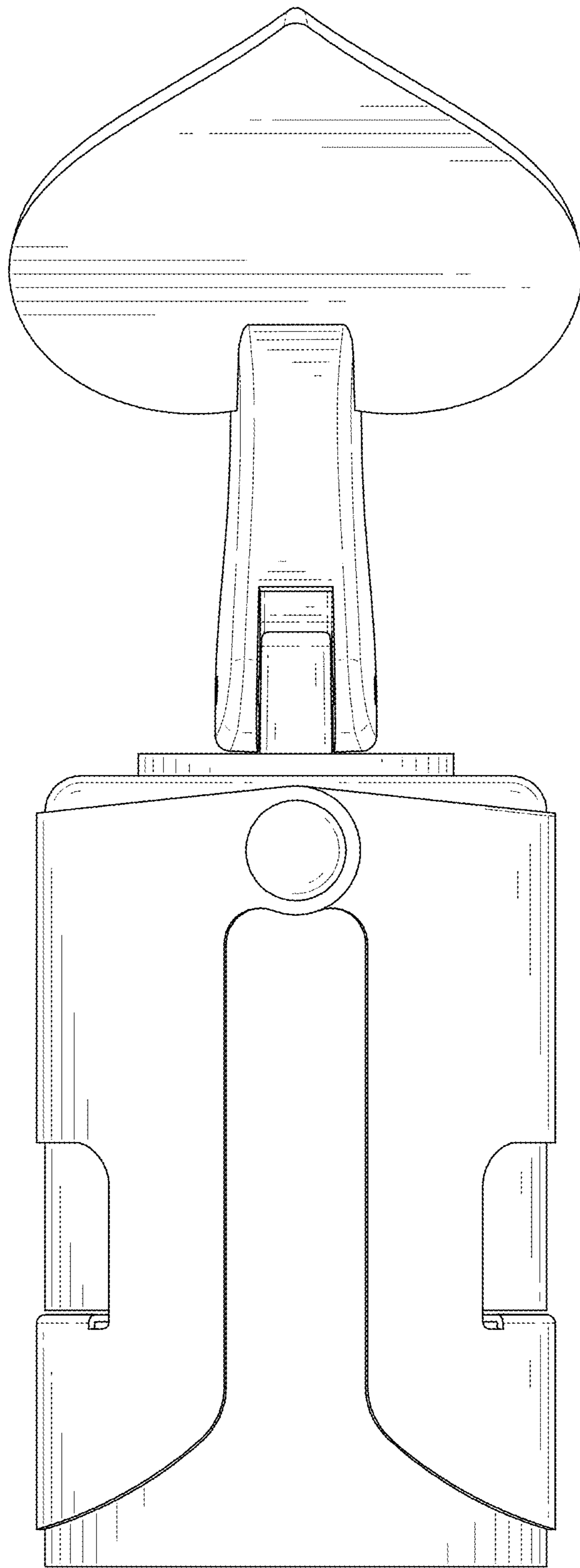


FIG. 4



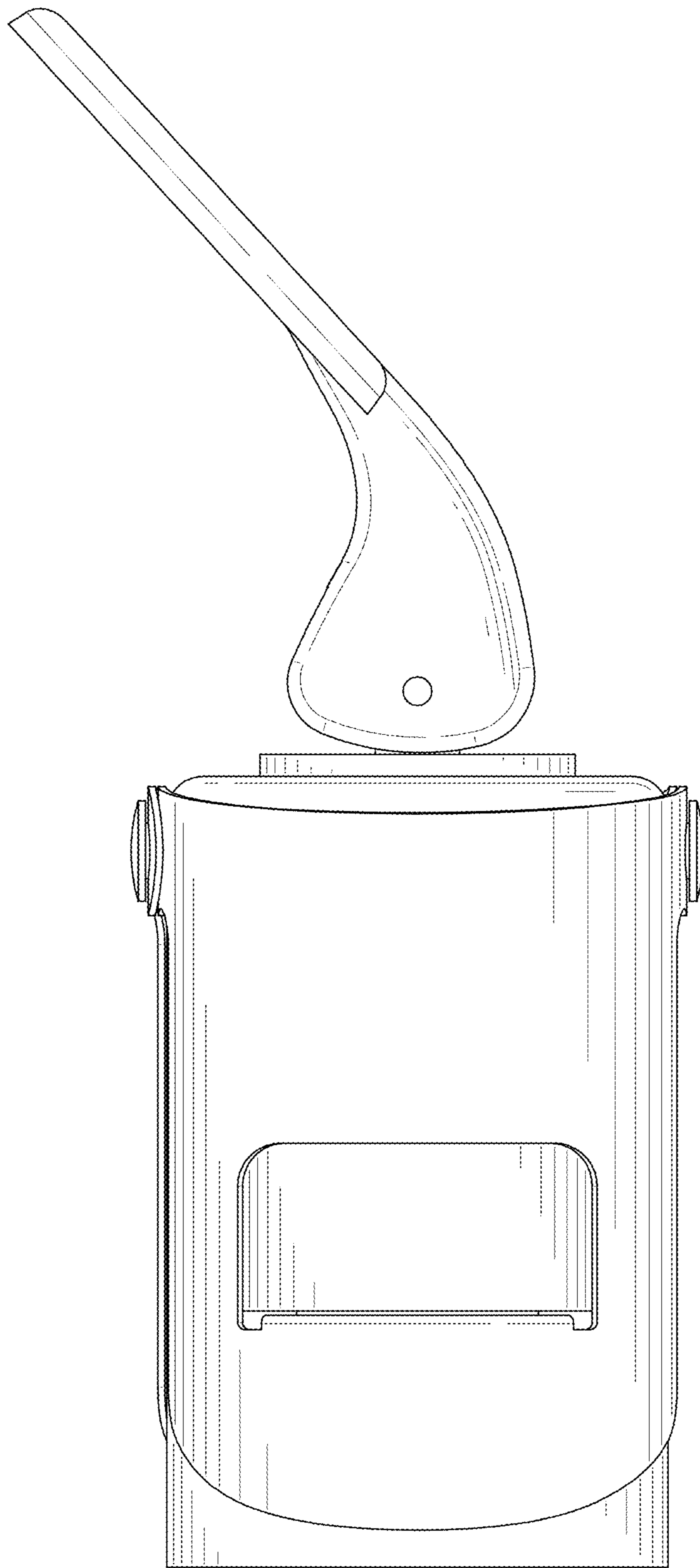


FIG. 5

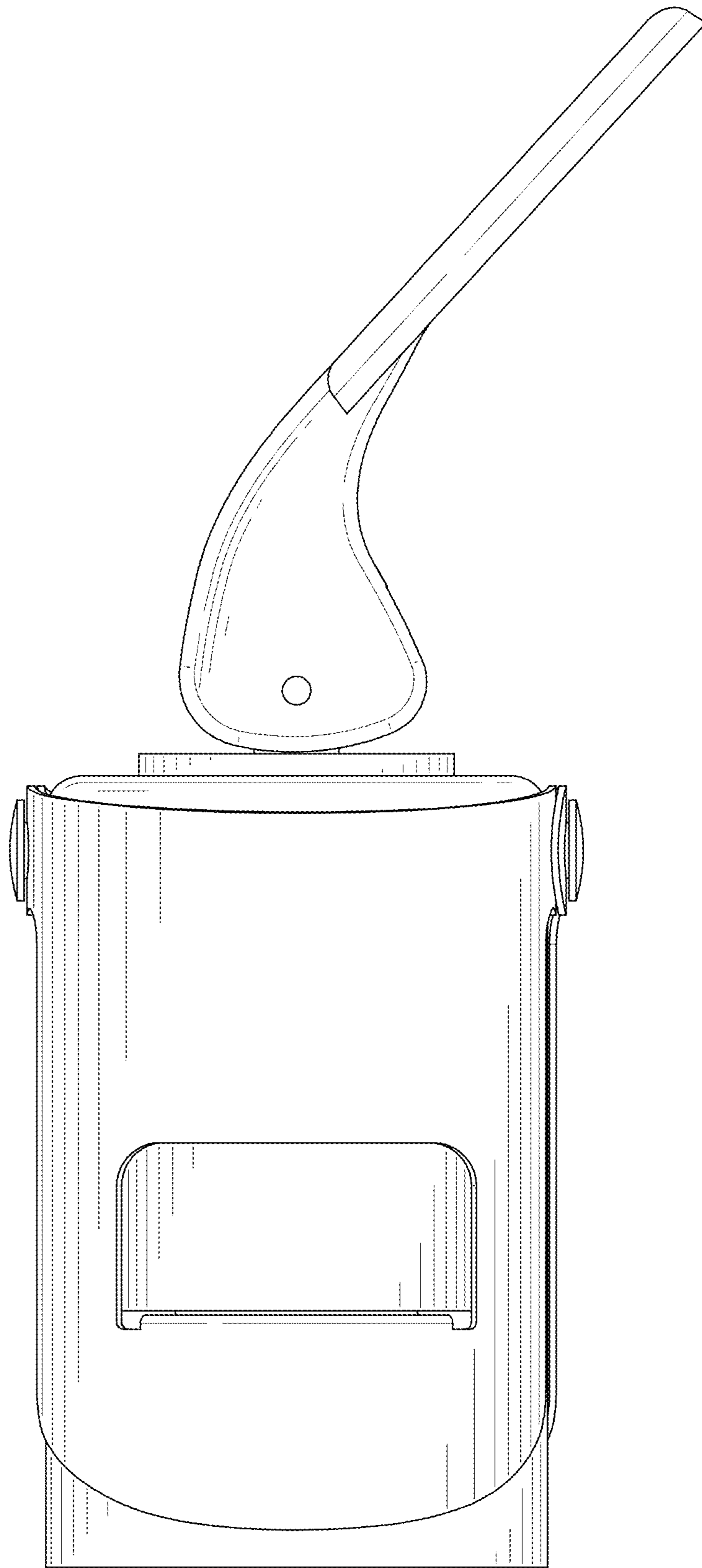


FIG. 6

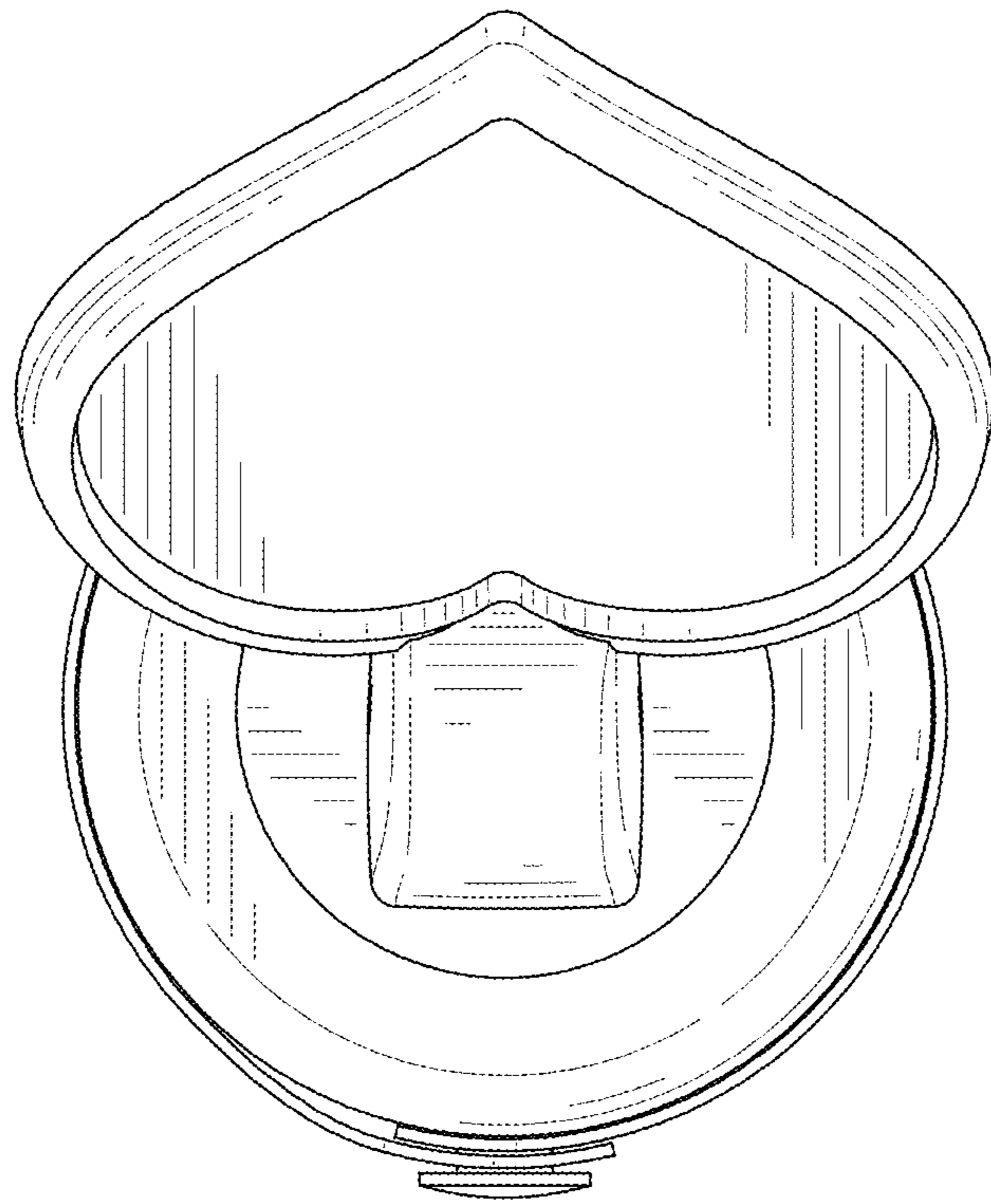


FIG. 7



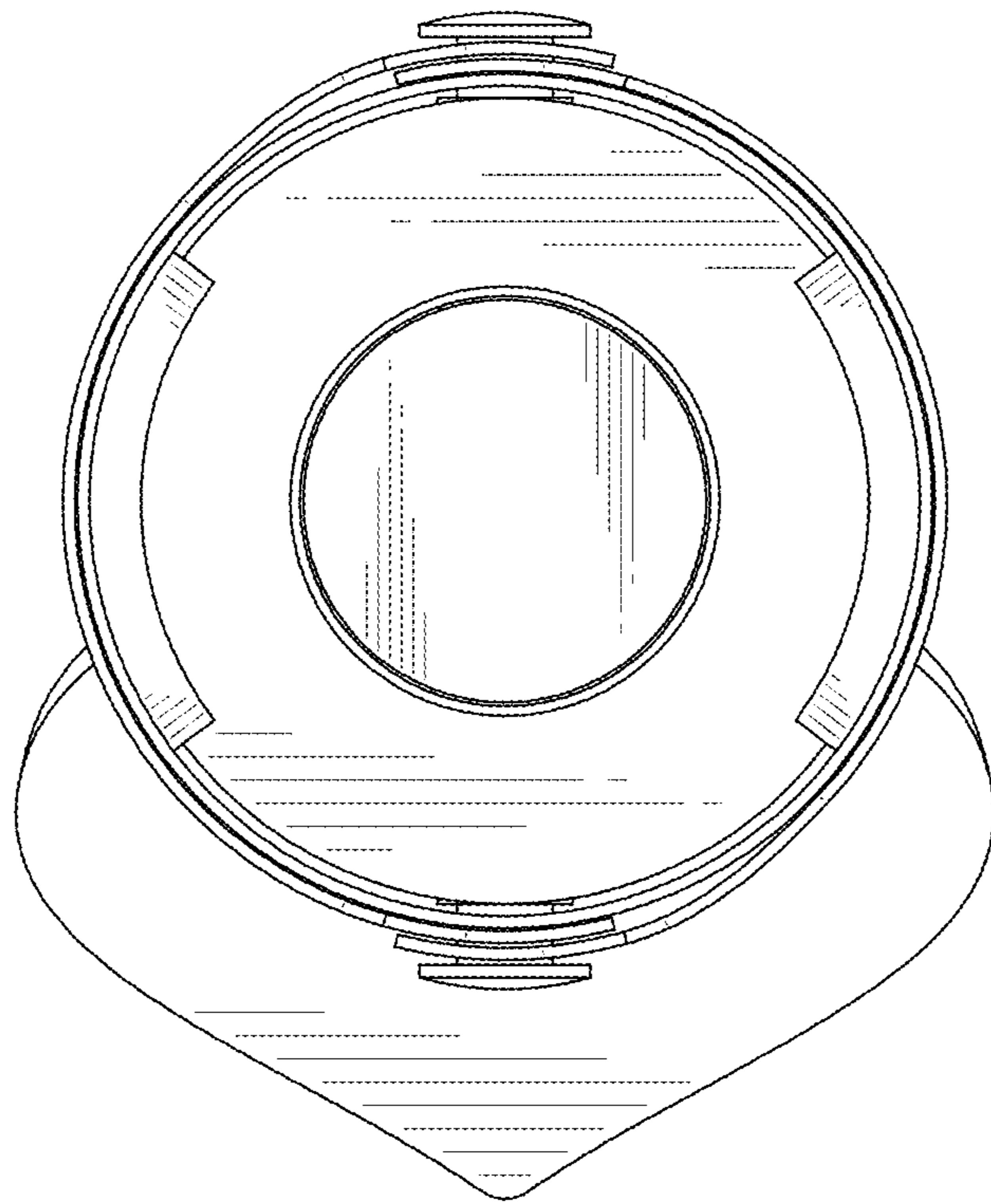


FIG. 8