



US00D932888S

(12) **United States Design Patent** (10) **Patent No.:** **US D932,888 S**
Mastronardi (45) **Date of Patent:** **** Oct. 12, 2021**

(54) **CONTAINER**
(71) Applicant: **Mastronardi Produce Ltd.**, Kingsville (CA)
(72) Inventor: **Paul Mastronardi**, Leamington (CA)
(73) Assignee: **MASTRONARDI PRODUCE LIMITED**, Kingsville (CA)
(**) Term: **15 Years**
(21) Appl. No.: **29/724,727**

D210,477 S 3/1968 Beyer
D242,021 S * 10/1976 Shanklin D6/518
D251,534 S 4/1979 Lutzker
D251,535 S 4/1979 Lutzker
D389,376 S 1/1998 Cooley
D501,318 S * 2/2005 Louie D3/304
D524,154 S * 7/2006 Post D9/430
D579,539 S 10/2008 Osterberg
D615,829 S 5/2010 Shamoon
D623,511 S * 9/2010 Favale D9/421
D666,830 S * 9/2012 Glenn D3/312
D672,640 S * 12/2012 Boissinot D9/418
D755,624 S * 5/2016 Ng D9/431
D769,114 S * 10/2016 Montemayor D9/431
D828,760 S 9/2018 Caly
D848,835 S * 5/2019 Exner D9/431

(22) Filed: **Feb. 19, 2020**
(51) **LOC (13) Cl.** **09-03**
(52) **U.S. Cl.**
USPC **D9/431**
(58) **Field of Classification Search**
USPC D9/414-420, 421-433, 434, 442, 445,
D9/456, 542, 563, 600, 614-624, 707,
D9/708, 711, 754, 759; D3/273, 276,
D3/304, 309-313; D7/601, 602, 709
CPC B65D 5/00; B65D 5/001; B65D 5/0027;
B65D 5/0254; B65D 5/18; B65D 5/38;
B65D 5/40; B65D 5/2033; B65D
5/48024; B65D 5/6605; B65D 1/22;
B65D 1/24; B65D 1/34; B65B 5/06
See application file for complete search history.

* cited by examiner

Primary Examiner — Susan Bennett Hattan
Assistant Examiner — Omeed Agilee
(74) *Attorney, Agent, or Firm* — Dinsmore & Shohl LLP

(56) **References Cited**
U.S. PATENT DOCUMENTS

D122,414 S 9/1940 Prouty
D123,913 S 12/1940 Newland
D165,723 S 1/1952 Schneeloch
2,950,850 A * 8/1960 Corcoran B65D 5/321
229/120

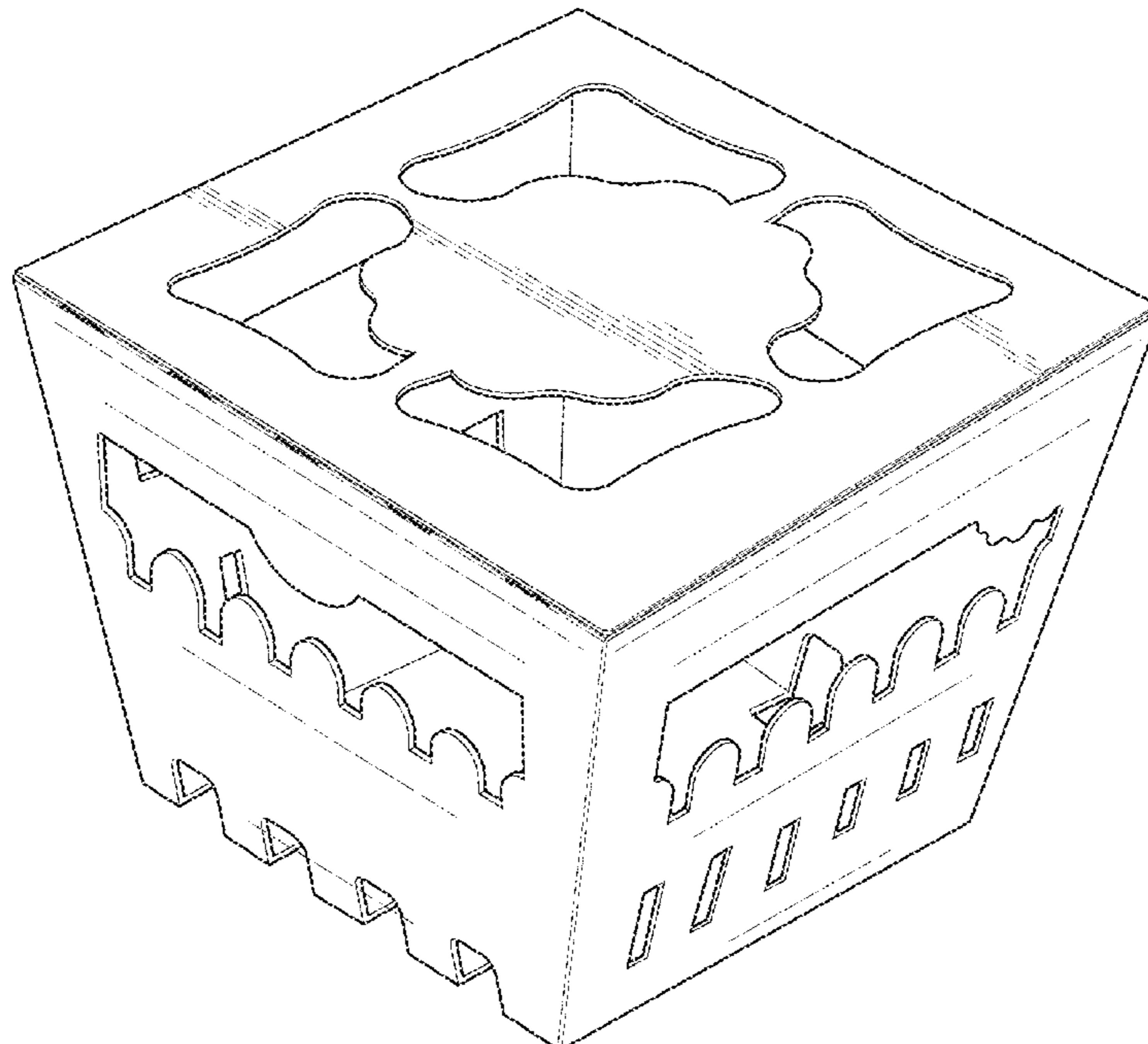
(57) **CLAIM**

The ornamental design for a container, as shown and described.

DESCRIPTION

FIG. 1 is a perspective view showing a top, one end, and one side of a container;
FIG. 2 is a planar view of the one end of the container;
FIG. 3 is a planar view of the one side of the container;
FIG. 4 is a planar view of an opposite end of the container;
FIG. 5 is a planar view of an opposite side of the container;
FIG. 6 is a planar view of the top of the container; and,
FIG. 7 is a planar view of a bottom of the container.

1 Claim, 4 Drawing Sheets



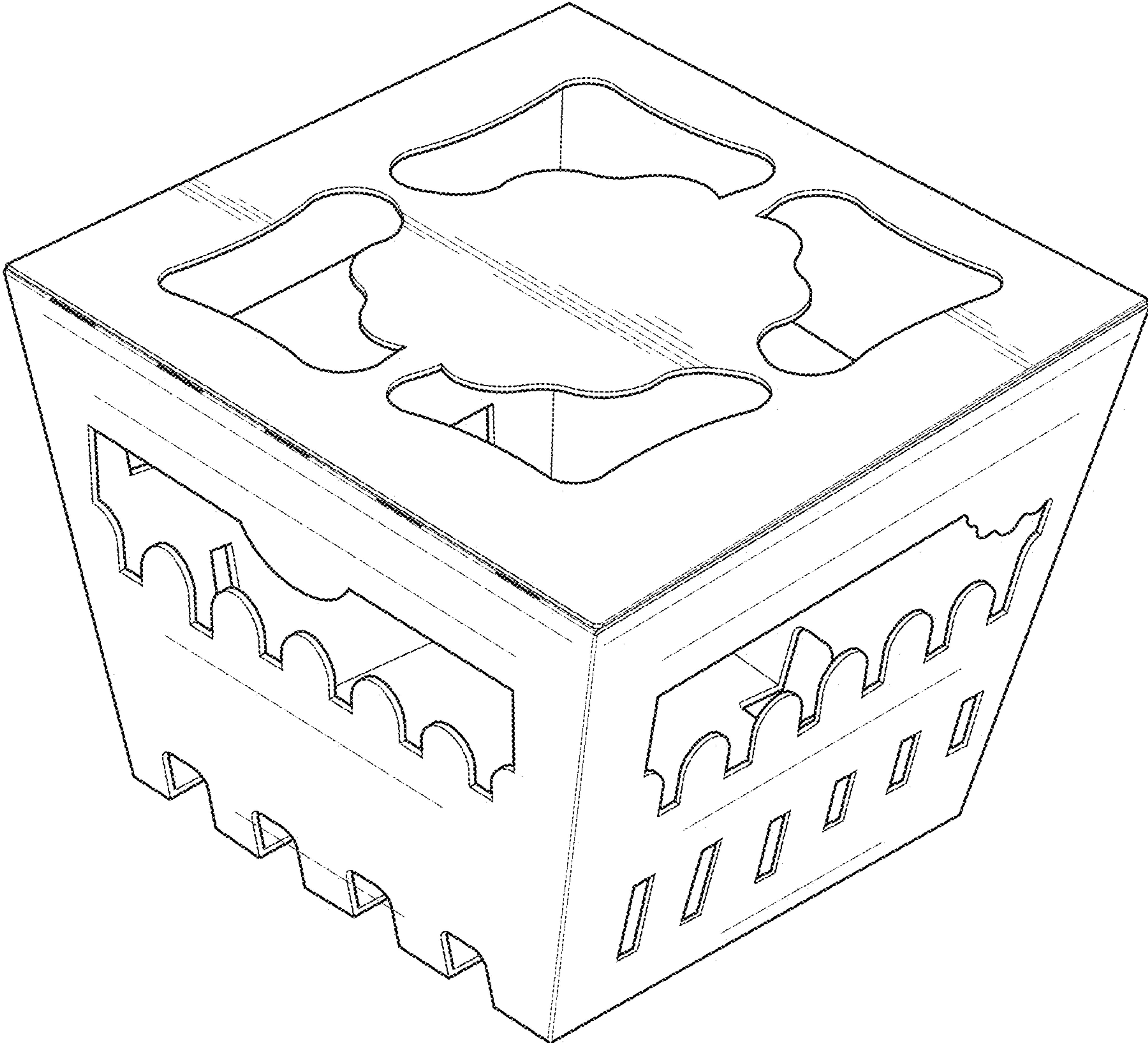


FIG. 1

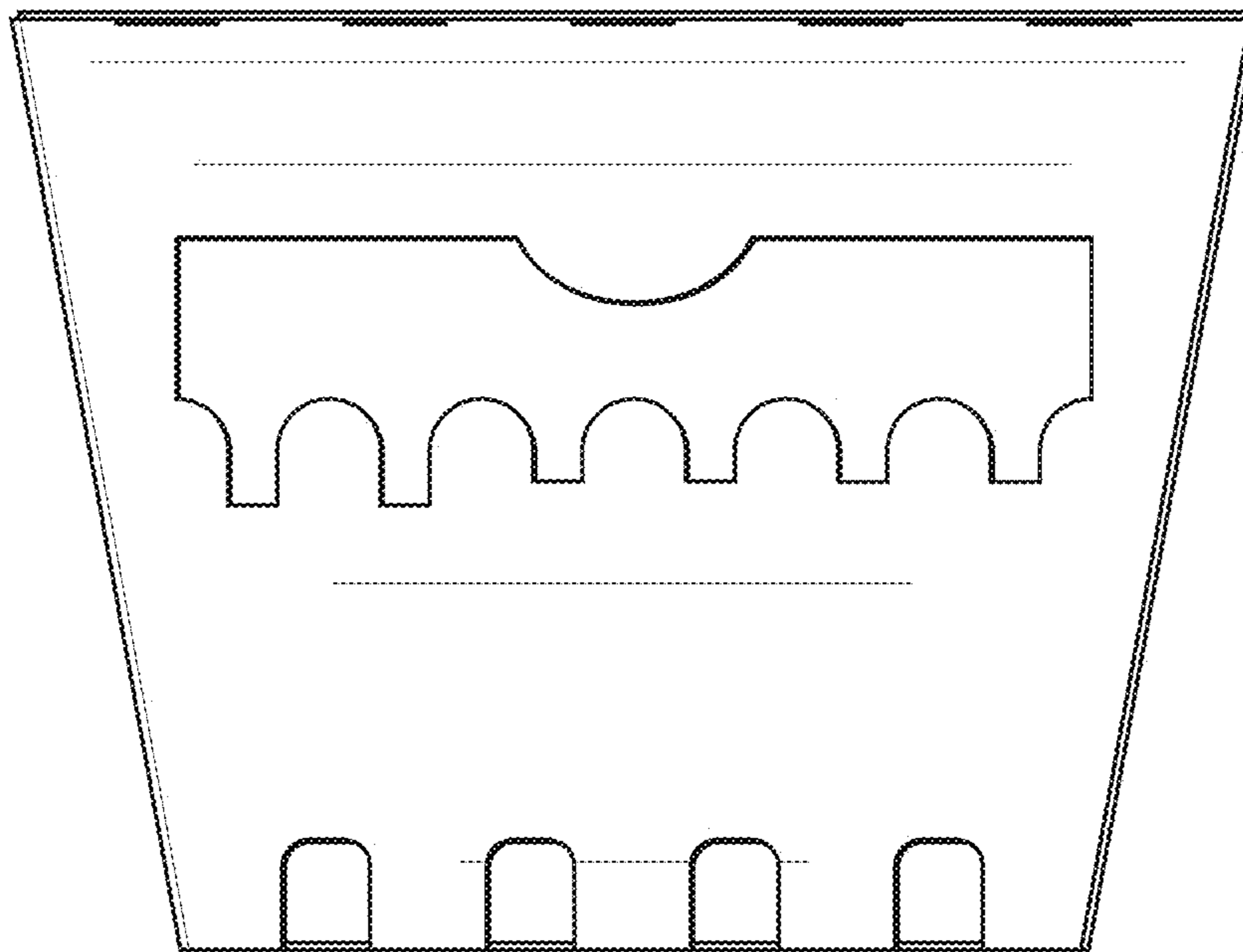


FIG. 2

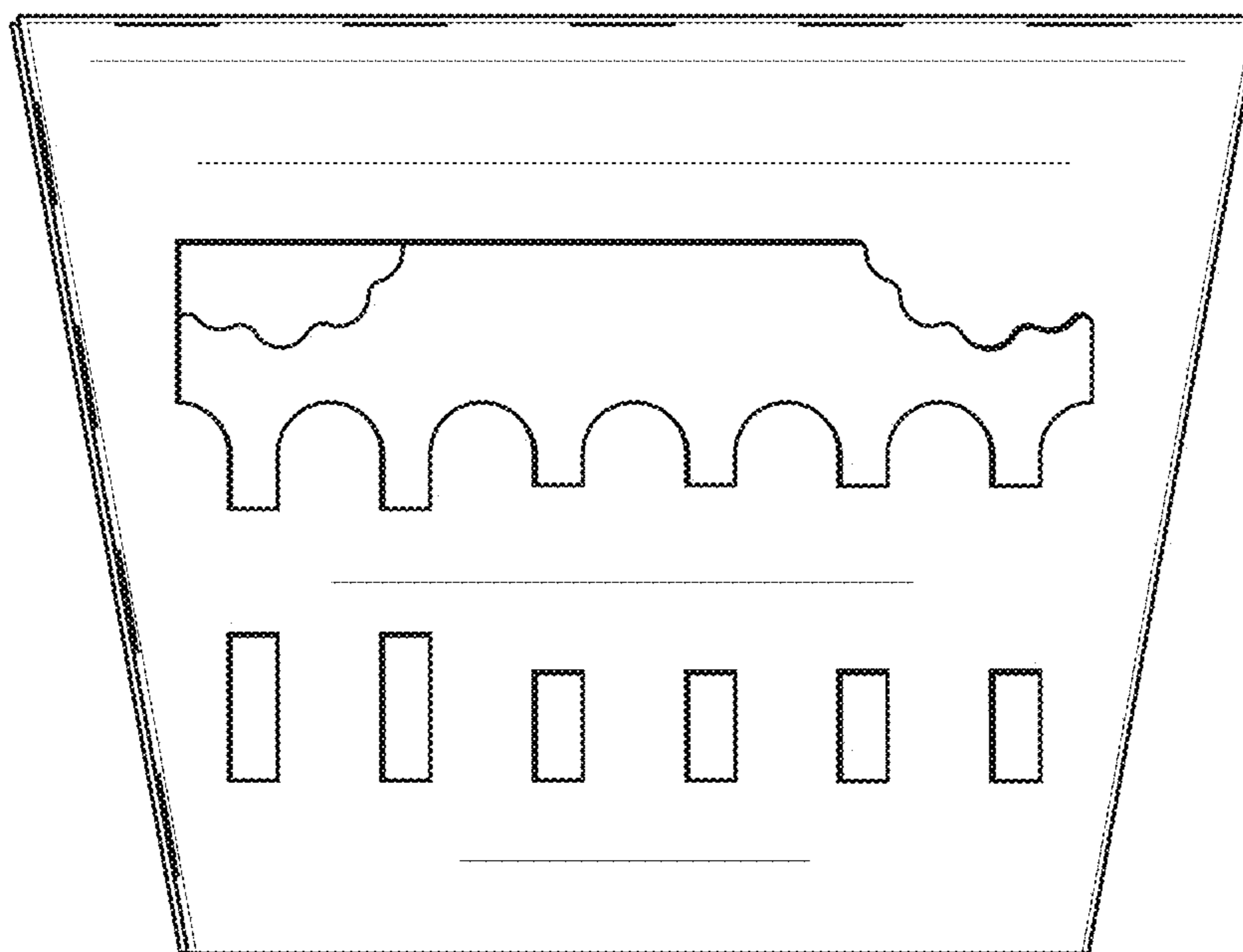


FIG. 3

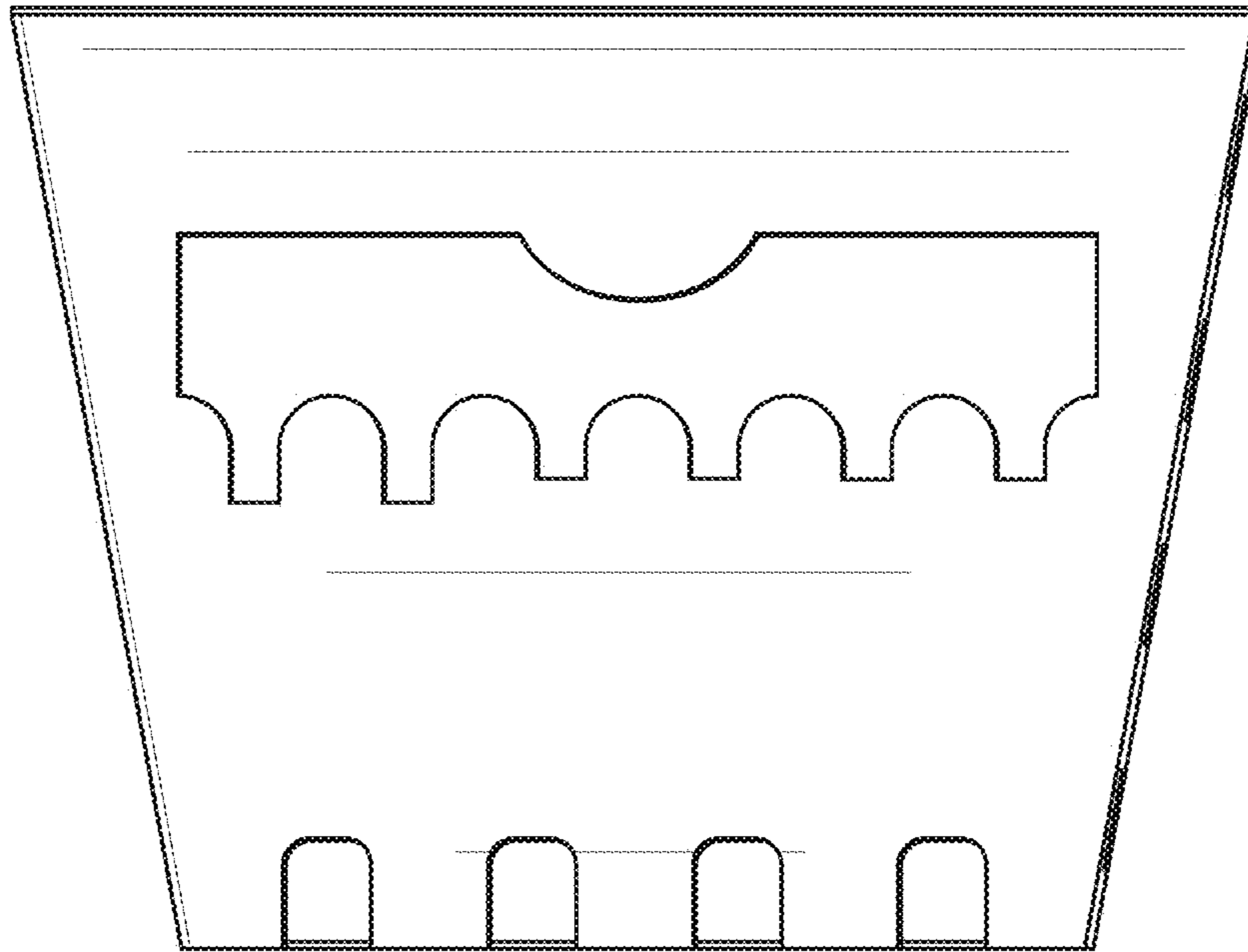


FIG. 4

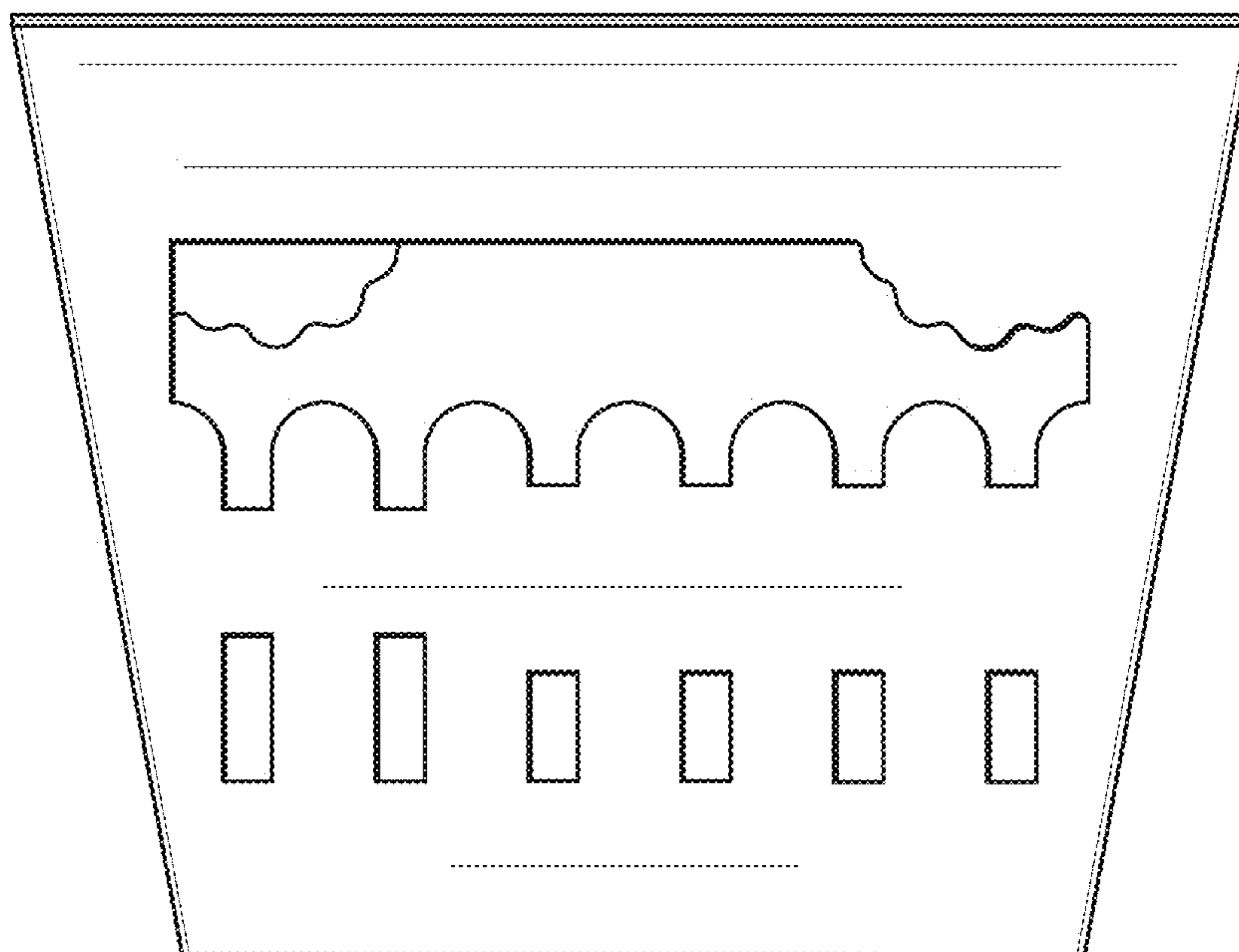


FIG. 5

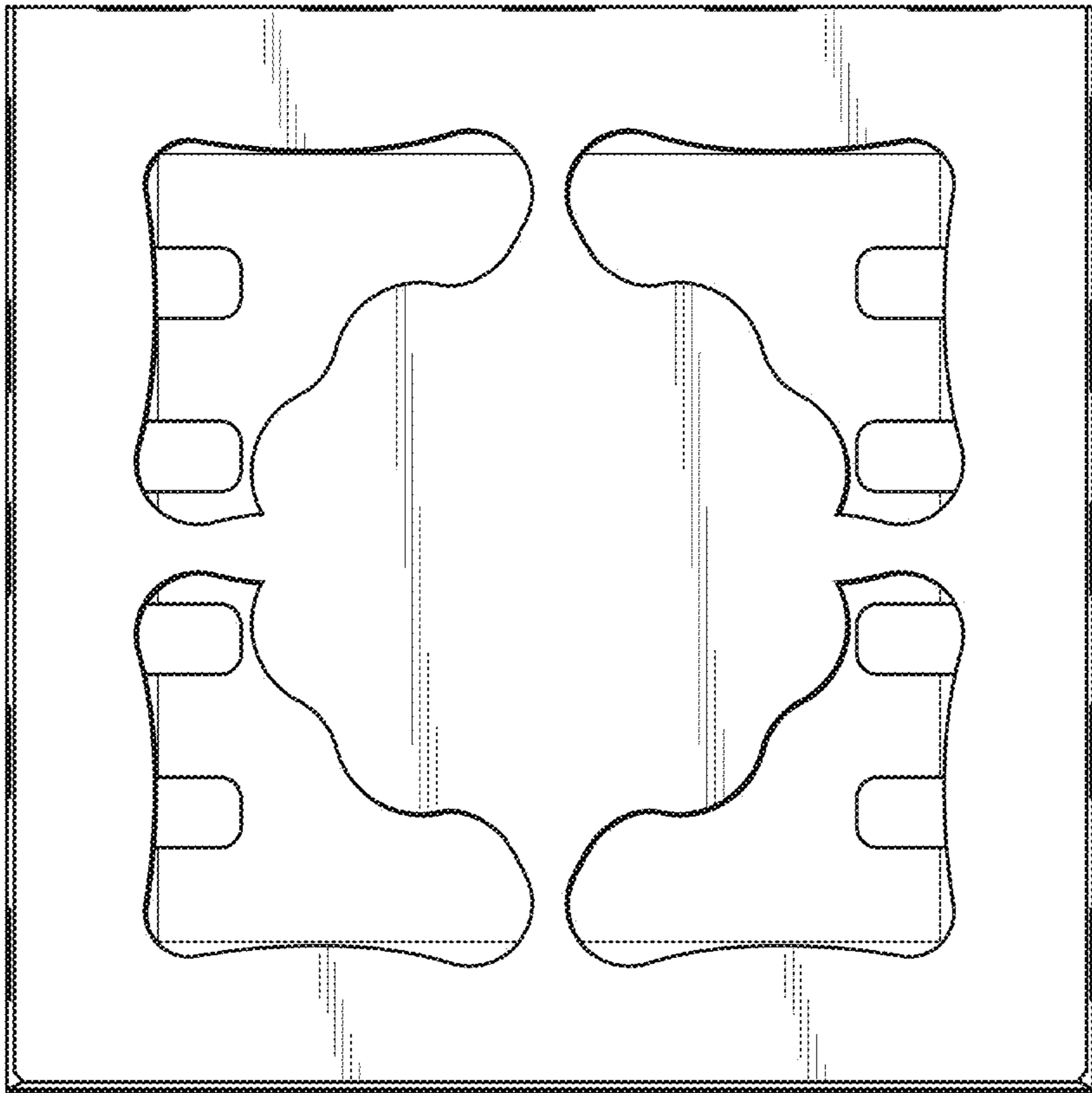


FIG. 6

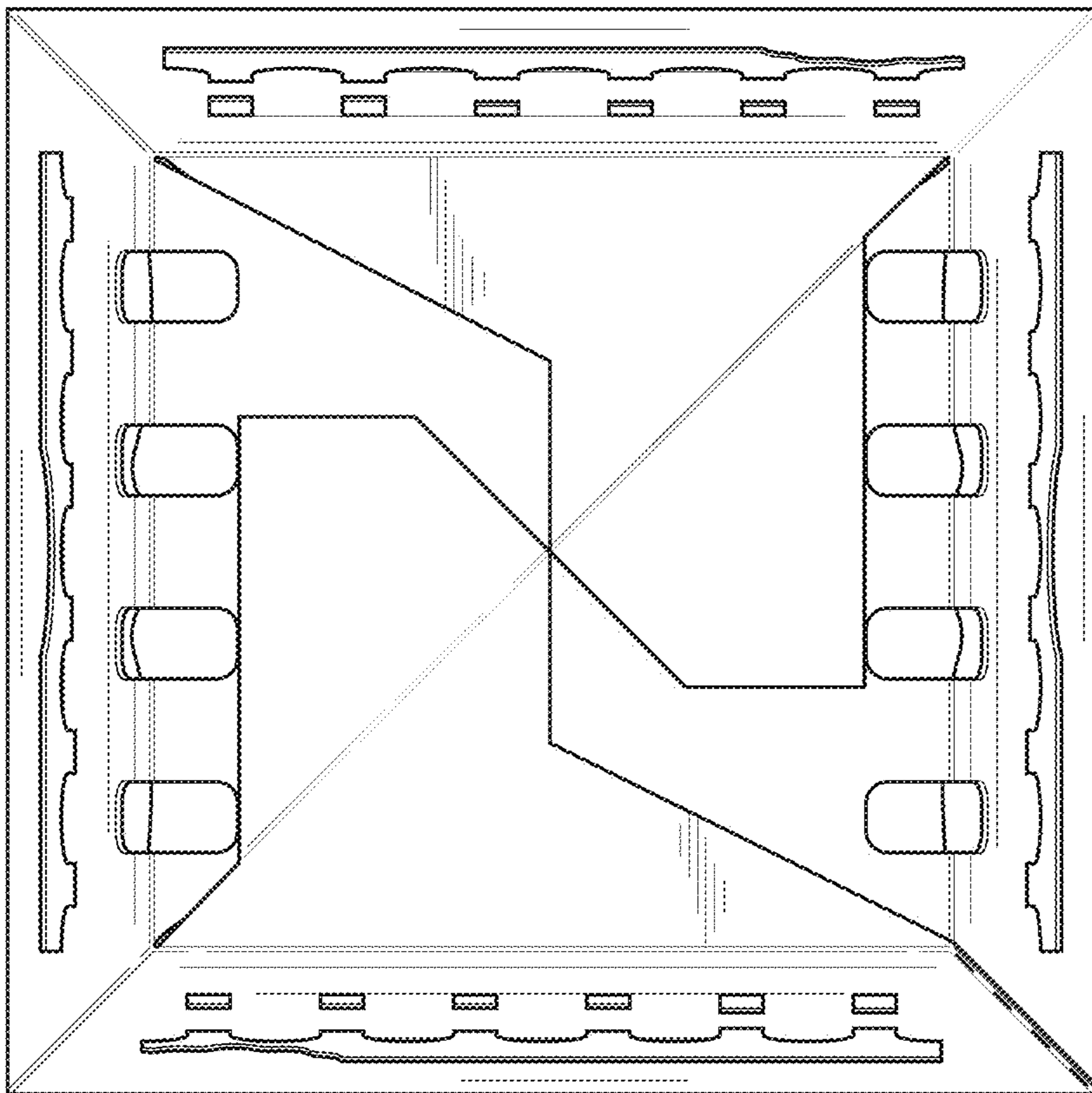


FIG. 7