



US00D932886S

(12) **United States Design Patent** (10) **Patent No.:** **US D932,886 S**  
**Song** (45) **Date of Patent:** **\*\* Oct. 12, 2021**

(54) **FOLDING STORAGE BOX** 4,134,525 A \* 1/1979 Respoli ..... A45C 13/02  
206/1.7  
(71) Applicant: **NINGBO HAPPINESS** 4,618,090 A 10/1986 Cortellucci  
**STATIONERY CO., LTD., Ningbo** 5,096,056 A 3/1992 Garcia  
(CN) 5,435,437 A \* 7/1995 Sasaki ..... B65D 1/22  
206/305  
(72) Inventor: **Changyou Song, Ningbo (CN)** D372,670 S \* 8/1996 Healey ..... D9/422  
D398,527 S \* 9/1998 Maceachern ..... D9/420  
D420,586 S \* 2/2000 MacEachern ..... D9/420  
(73) Assignee: **NINGBO HAPPINESS** D433,630 S \* 11/2000 Lubineau-Bigot ..... D9/416  
**STATIONERY CO., LTD., Ningbo** 7,681,422 B2 \* 3/2010 Tonaltzin ..... E05B 43/005  
(CN) 70/63  
D643,306 S \* 8/2011 Martinez ..... D9/721  
(Continued)

(\*\*) Term: **15 Years**

(21) Appl. No.: **29/681,005**

(22) Filed: **Feb. 21, 2019**

(30) **Foreign Application Priority Data**  
Dec. 18, 2018 (CN) ..... 201830736648.4

(51) **LOC (13) Cl.** ..... **09-03**

(52) **U.S. Cl.**  
USPC ..... **D9/420**

(58) **Field of Classification Search**  
USPC ..... D9/420, 432, 433, 416, 721, 422, 761,  
D9/759; D27/189, 187; D3/203.1;  
D7/388  
CPC .. B65D 77/0413; B65D 71/0014; B65D 5/52;  
B65D 1/22; B65D 5/48038; E05B  
43/005; A45C 11/34; A45C 13/02  
See application file for complete search history.

(56) **References Cited**  
**U.S. PATENT DOCUMENTS**  
575,271 A \* 1/1897 Pool ..... A45C 11/34  
206/214  
2,005,278 A 6/1935 Trimble  
2,129,175 A \* 9/1938 Hassenfeld ..... A45C 11/34  
206/745  
3,386,607 A 6/1968 Keene

**FOREIGN PATENT DOCUMENTS**

CN 202337409 U 7/2012  
CN 102730262 A 10/2012  
CN 206119490 U 4/2017

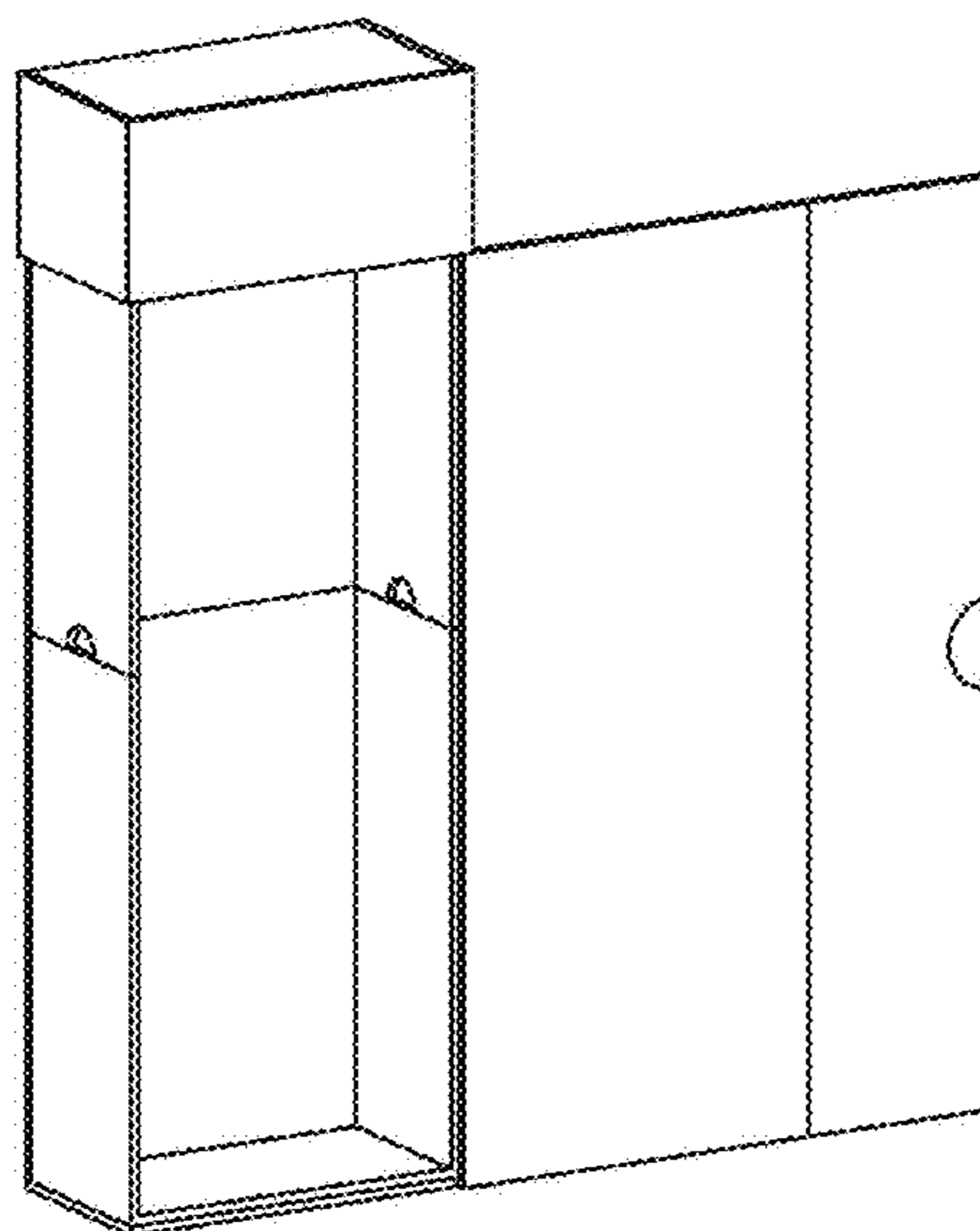
*Primary Examiner* — Rhea Shields  
(74) *Attorney, Agent, or Firm* — Innovation Capital Law  
Group; Vic Lin

(57) **CLAIM**  
The ornamental design for a folding storage box, as shown  
and described.

**DESCRIPTION**

FIG. 1 is a front view of a folding storage box in a closed  
configuration, showing my new design;  
FIG. 2 is a rear view thereof;  
FIG. 3 is a left side view thereof;  
FIG. 4 is a right side view thereof;  
FIG. 5 is a top view thereof;  
FIG. 6 is a bottom view thereof;  
FIG. 7 is a perspective view thereof;  
FIG. 8 is a perspective view of a folding storage box in an  
open configuration; and,  
FIG. 9 is a perspective view of a folding storage box in  
another open configuration.

**1 Claim, 6 Drawing Sheets**



(56)

**References Cited**

U.S. PATENT DOCUMENTS

7,992,716 B2 \* 8/2011 Jackson ..... B65D 5/52  
 206/738  
 8,424,681 B1 \* 4/2013 Schonhardt ..... B65D 71/0014  
 206/323  
 8,545,285 B2 \* 10/2013 Fernandes ..... A45C 11/34  
 446/470  
 D751,251 S \* 3/2016 Fath ..... D27/189  
 D755,641 S \* 5/2016 O'Neill ..... B65D 77/0413  
 D9/721  
 D811,005 S \* 2/2018 Fath ..... D27/189  
 D812,463 S \* 3/2018 Lee ..... D9/420  
 D815,343 S \* 4/2018 Kesselman ..... D27/187  
 D820,080 S \* 6/2018 Kase ..... D9/420  
 D829,569 S \* 10/2018 O'Neill ..... D9/759  
 D831,480 S \* 10/2018 Arazi ..... D9/433  
 D835,983 S \* 12/2018 Cacciatore ..... D9/420  
 D836,461 S \* 12/2018 Greenberg ..... D9/761  
 D841,311 S \* 2/2019 Young ..... D3/203.1  
 D854,413 S \* 7/2019 Joo ..... D9/432  
 D876,219 S \* 2/2020 Martin ..... D9/432  
 D883,082 S \* 5/2020 Oravec ..... D9/418  
 D889,993 S \* 7/2020 Lofrisco ..... D9/721  
 D896,568 S \* 9/2020 Smith ..... D7/388  
 D901,294 S \* 11/2020 McGrath ..... D9/432  
 D905,550 S \* 12/2020 Noda ..... D9/432  
 2006/0266815 A1 11/2006 Coltri-Johnson et al.  
 2019/0112094 A1 \* 4/2019 Dwork ..... B65D 5/48038  
 2020/0187616 A1 \* 6/2020 Song ..... A45C 11/34

\* cited by examiner

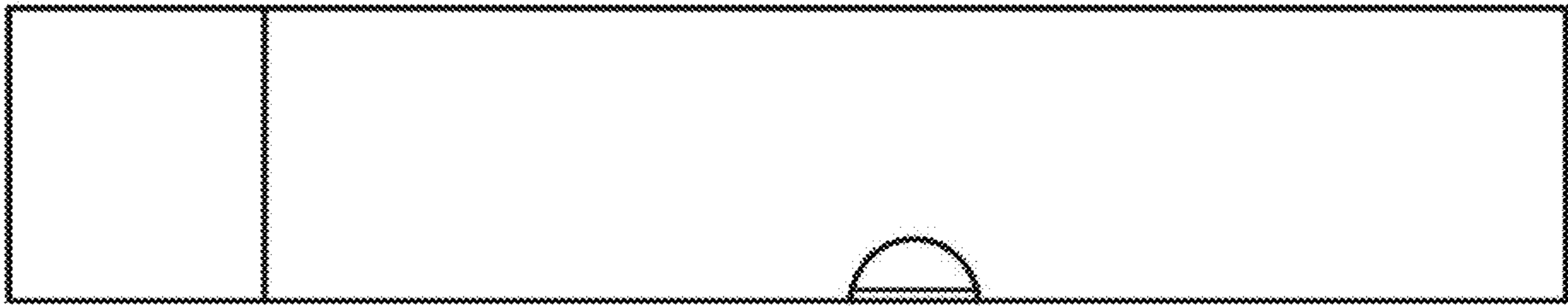


FIG.1



FIG.2



FIG. 3



FIG. 4



FIG. 5

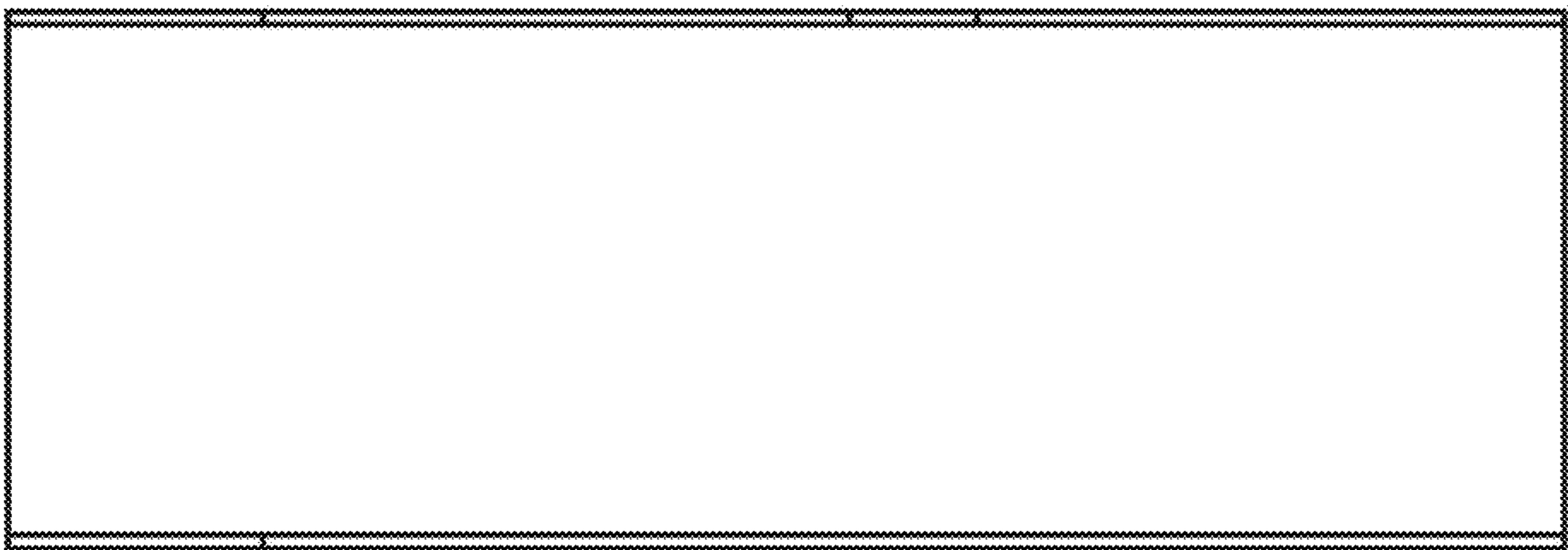


FIG. 6

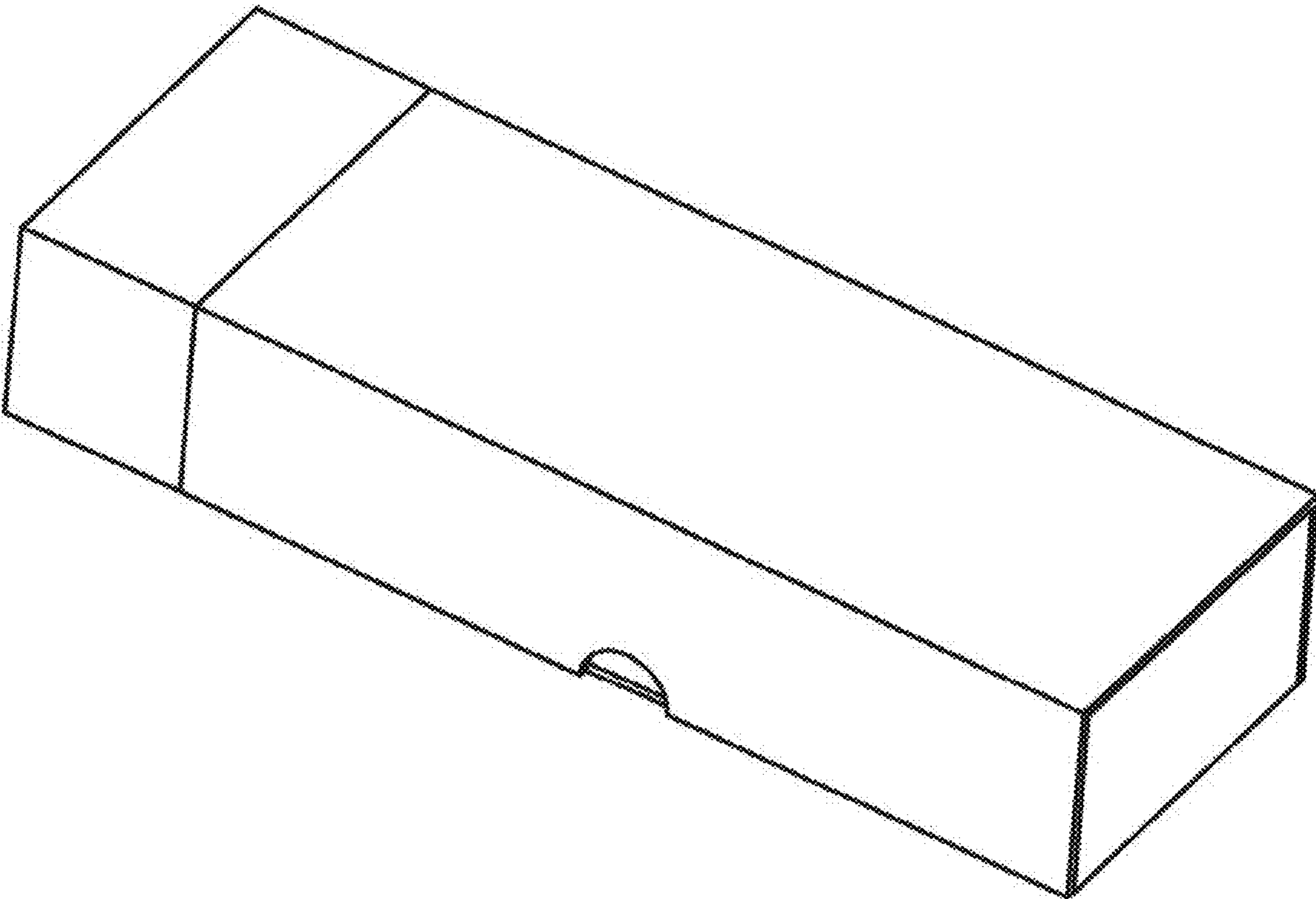


FIG.7

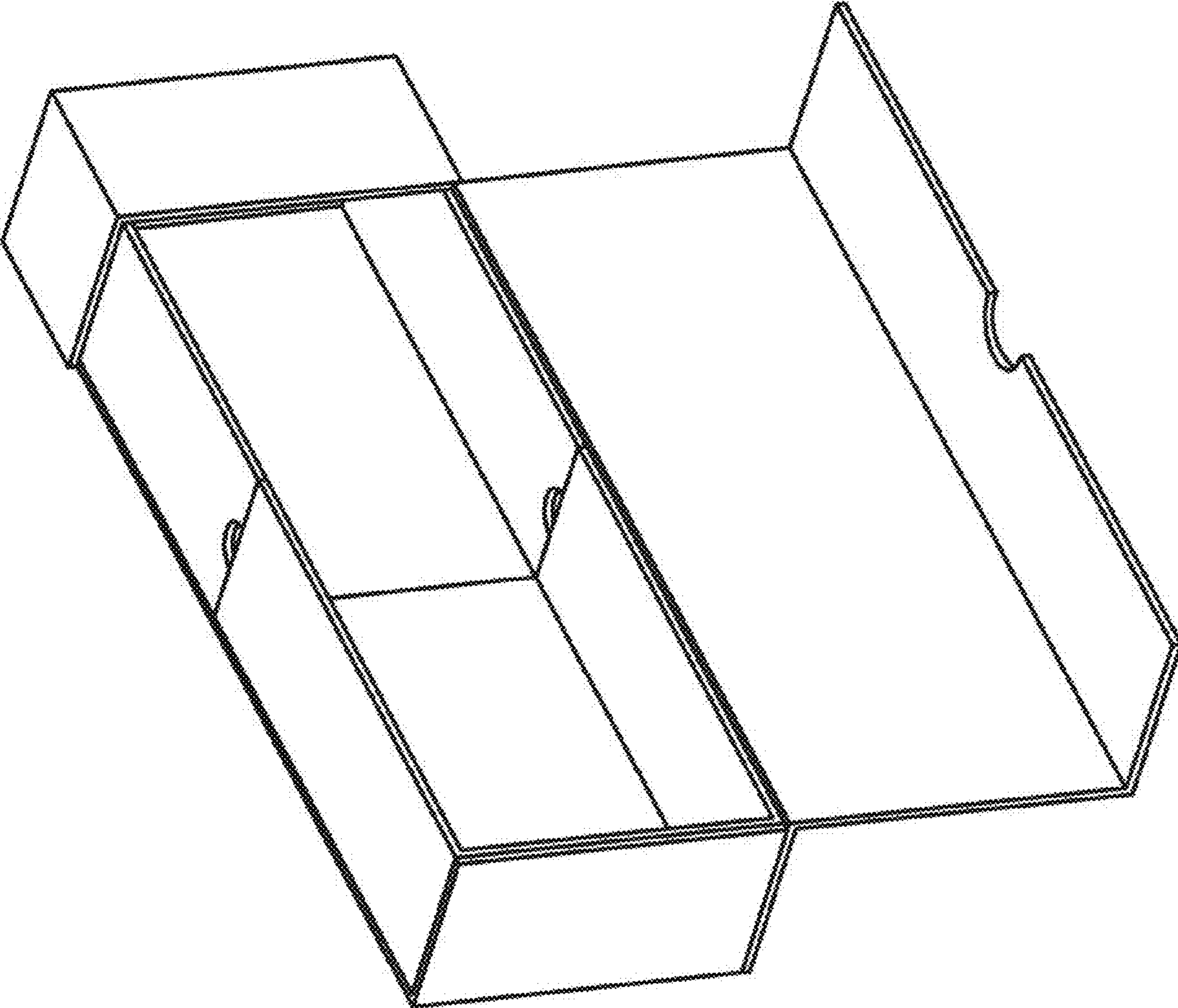


FIG.8

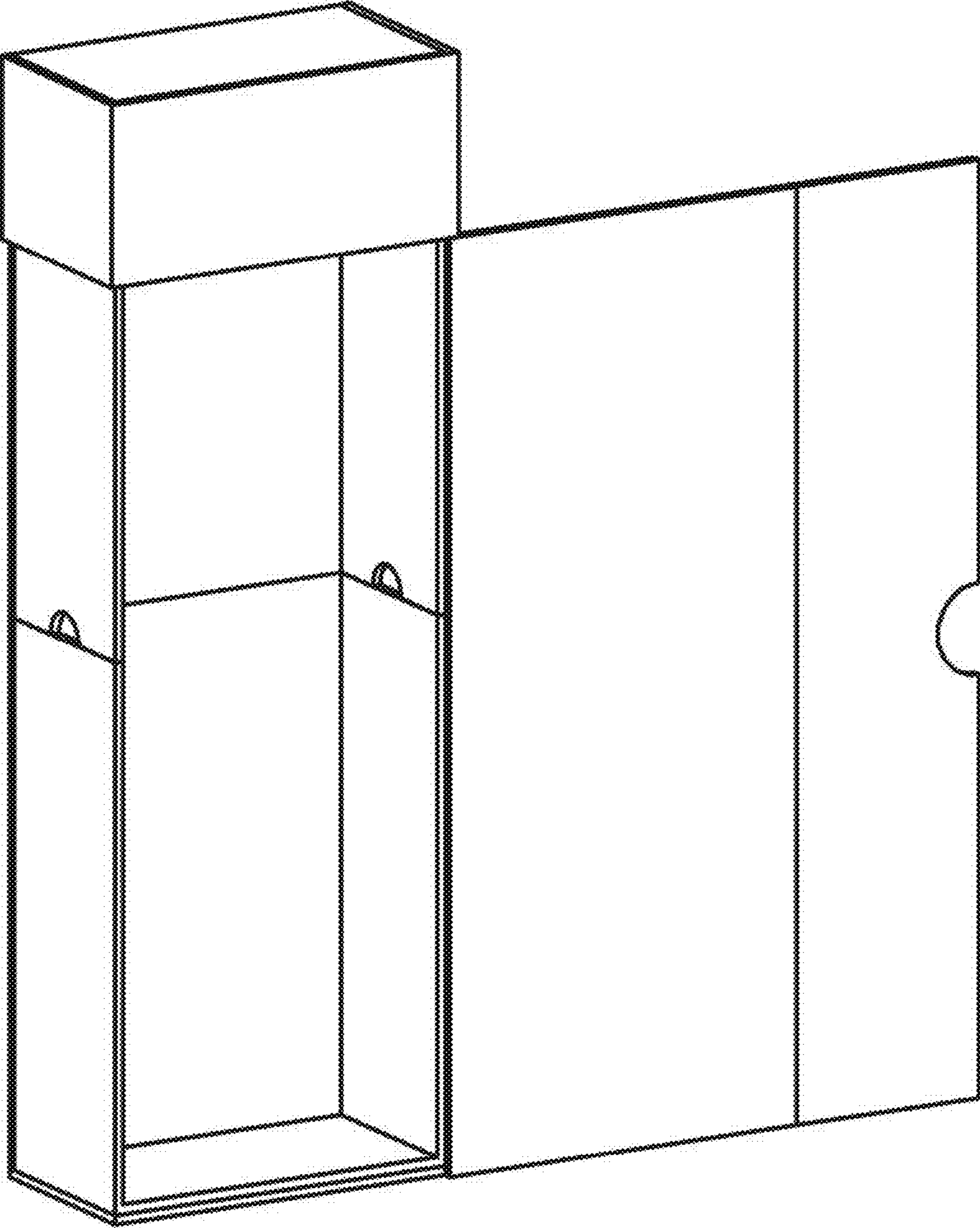


FIG.9