



US00D932885S

(12) **United States Design Patent** (10) **Patent No.:** **US D932,885 S**  
**De Pietri Tonelli et al.** (45) **Date of Patent:** **\*\* Oct. 12, 2021**

(54) **PACKAGE FOR FOODSTUFF** 41/0457; B65D 41/17; B65D 53/06;  
B65D 75/56; B65D 79/005; B65D  
(71) Applicant: **TETRA LAVAL HOLDINGS &** 2501/0036; B65D 2543/00064; B65D  
**FINANCE S.A., Pully (CH)** 2543/00074; B65D 2543/00083; B65D  
2543/00092; B65D 2543/00101; B65D  
2543/00111; B21D

(72) Inventors: **Roberto De Pietri Tonelli**, Colombaro  
di Formigine (IT); **Luisa D'Amato**,  
Modena (IT); **Marcello Barbieri**,  
Modena (IT); **Marco Marchetti**, Carpi  
(IT); **Alberto Mameli**, Modena (IT);  
**Davide Morciano**, Modena (IT)

(Continued)

(56) **References Cited**

U.S. PATENT DOCUMENTS

(73) Assignee: **TETRA LAVAL HOLDINGS &**  
**FINANCE S.A., Pully (CH)**

D668,539 S 10/2012 Barbieri et al.  
D677,565 S 3/2013 Barbieri et al.

(Continued)

(\*\*) Term: **15 Years**

*Primary Examiner* — Keli L Hill

(21) Appl. No.: **29/759,495**

(74) *Attorney, Agent, or Firm* — Leason Ellis LLP

(22) Filed: **Nov. 23, 2020**

(57) **CLAIM**

The ornamental design for a package for foodstuff, as shown  
and described.

**Related U.S. Application Data**

(62) Division of application No. 35/506,763, filed on Oct.  
19, 2018 (U.S. filing date under 35 U.S.C. 384), and  
(Continued)

**DESCRIPTION**

(30) **Foreign Application Priority Data**

Apr. 20, 2018 (WO) ..... 005241767

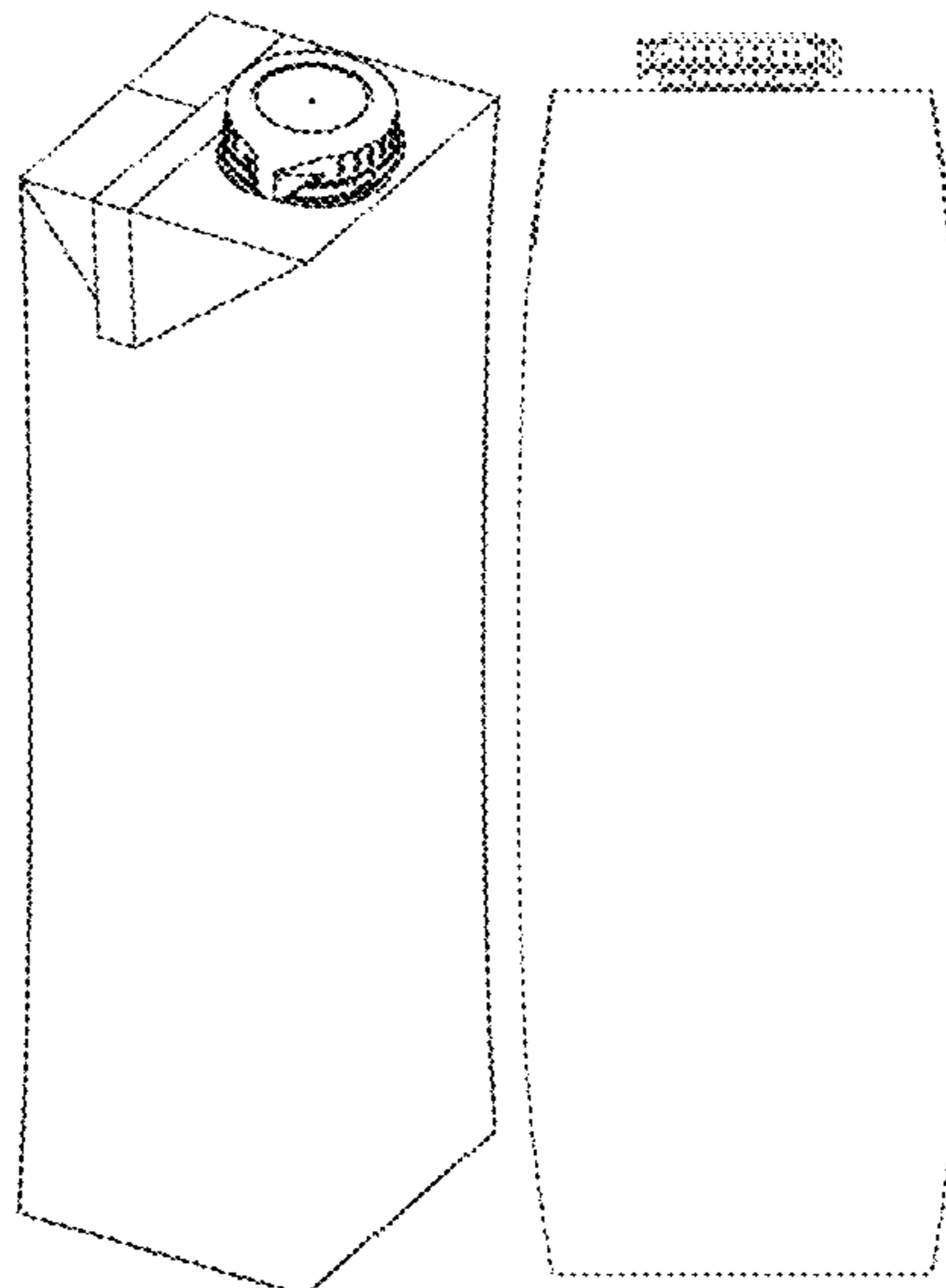
(51) **LOC (13) Cl.** ..... **09-01**

(52) **U.S. Cl.**  
USPC ..... **D9/417; D9/432**

(58) **Field of Classification Search**  
USPC ..... D9/414, 417, 424, 430-432, 433, 541,  
D9/543, 560, 572, 575  
CPC ... B65D 1/00; B65D 1/02; B65D 1/12; B65D  
1/14; B65D 1/40; B65D 1/44; B65D  
1/023; B65D 1/0223; B65D 1/165; B65D  
1/238; B65D 1/246; B65D 1/253; B65D  
7/04; B65D 21/0209; B65D 21/0233;  
B65D 25/00; B65D 25/28; B65D

FIG. 1 is a front perspective view of a package for foodstuff  
showing our new design according to a first embodiment;  
FIG. 2 is a first side view thereof;  
FIG. 3 is a front view thereof;  
FIG. 4 is a second side view thereof;  
FIG. 5 is a rear view thereof;  
FIG. 6 is a top plan view thereof;  
FIG. 7 is a bottom plan view thereof;  
FIG. 8 is a front perspective view of a package for foodstuff  
showing our new design according to a second embodiment;  
FIG. 9 is a first side view thereof;  
FIG. 10 is a front view thereof;  
FIG. 11 is a second side view thereof;  
FIG. 12 is a rear view thereof;  
FIG. 13 is a top plan view thereof; and,  
FIG. 14 is a bottom plan view thereof.

**1 Claim, 14 Drawing Sheets**



**Related U.S. Application Data**

having an international filing date of Oct. 19, 2018,  
now Pat. No. Des. 902,709.

(58) **Field of Classification Search**

CPC ..... 51/26; B21D 51/383; B29C 66/71; Y10T  
29/49826

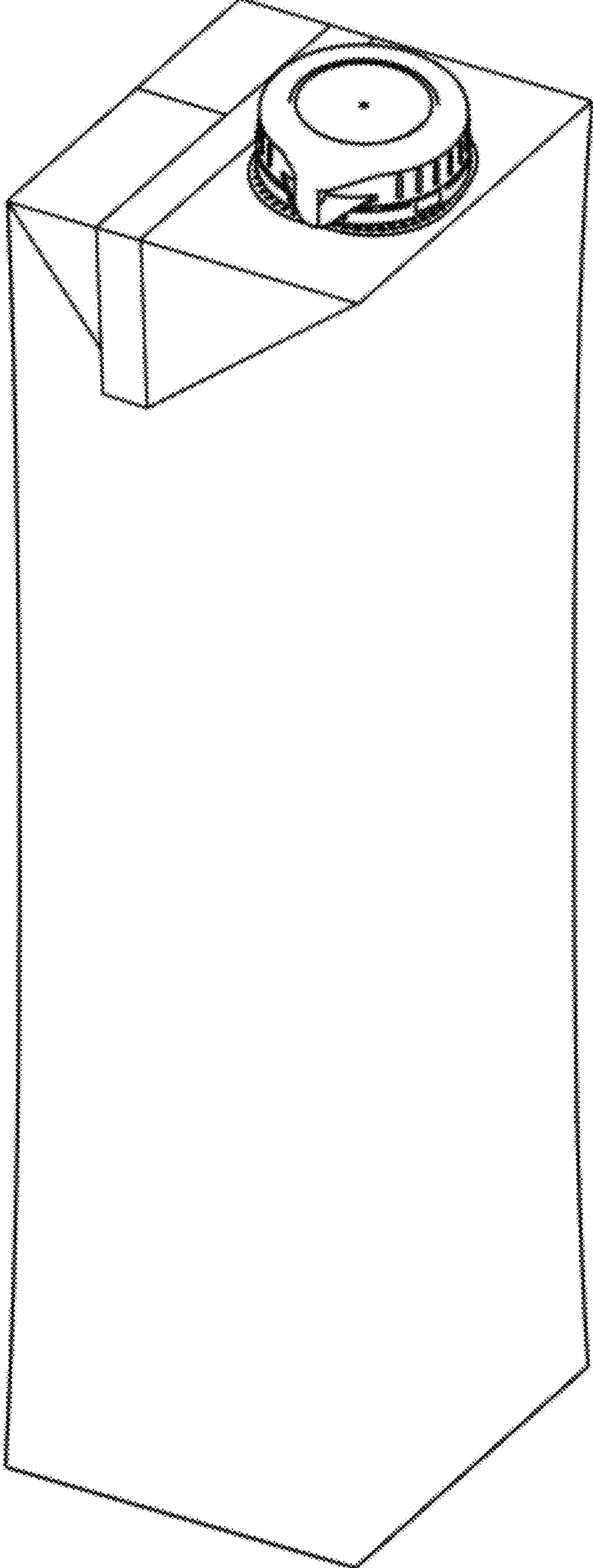
See application file for complete search history.

(56) **References Cited**

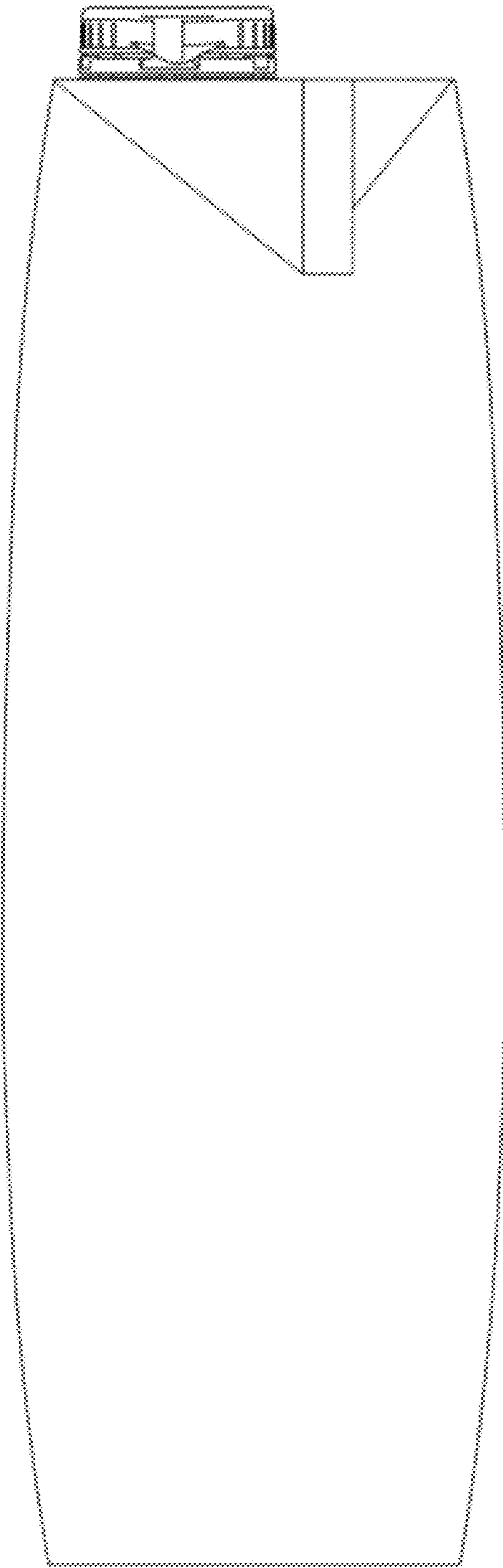
U.S. PATENT DOCUMENTS

D691,882 S	10/2013	Barbieri et al.	
D702,117 S	4/2014	Dagnino	
D714,638 S	10/2014	Mohn et al.	
D721,576 S	1/2015	De Pietri Tonelli et al.	
9,487,324 B2 *	11/2016	Benko .....	B65D 85/72
D795,686 S	8/2017	Mohn et al.	
D803,044 S	11/2017	Franic	
D835,997 S	12/2018	Vandenbos	
D835,998 S	12/2018	Vandenbos	
D844,430 S	4/2019	Dammers et al.	
10,414,535 B2	9/2019	Barbieri et al.	
D898,565 S *	10/2020	Kearns .....	B65D 5/029 D9/430
D902,709 S *	11/2020	De Pietri Tonelli .....	D9/431
D915,196 S *	4/2021	Gaudiomonte .....	D9/433
D919,431 S *	5/2021	Dammers .....	D9/431

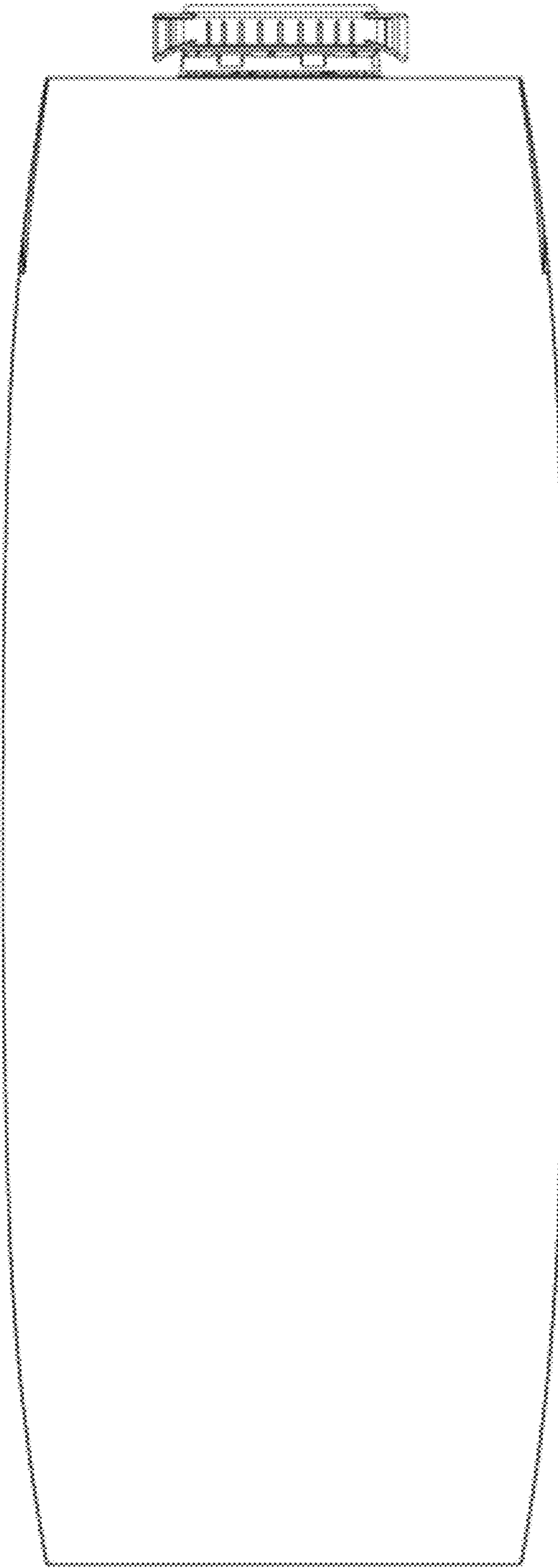
\* cited by examiner



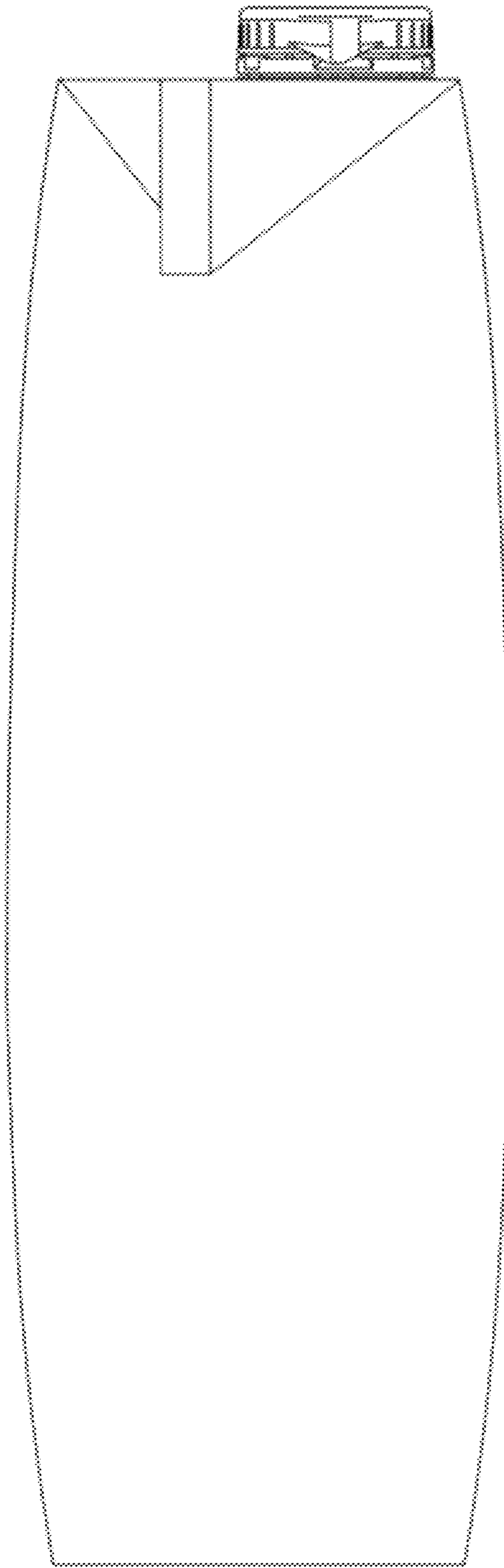
**FIG. 1**



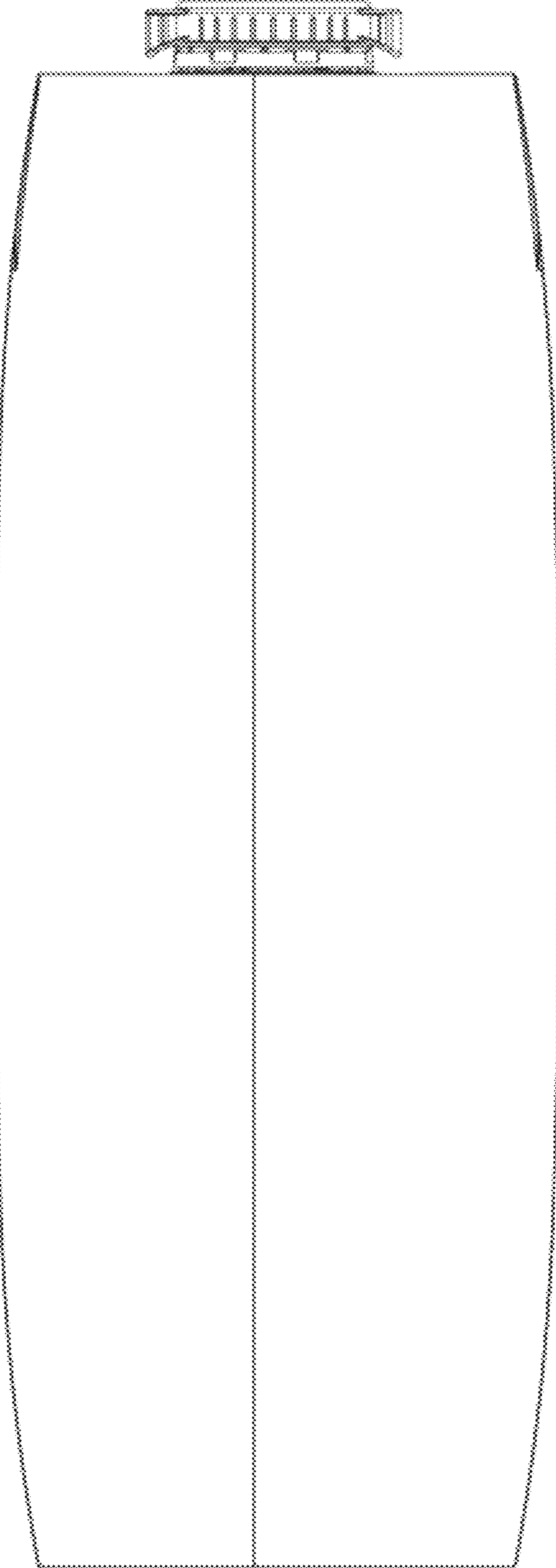
**FIG. 2**



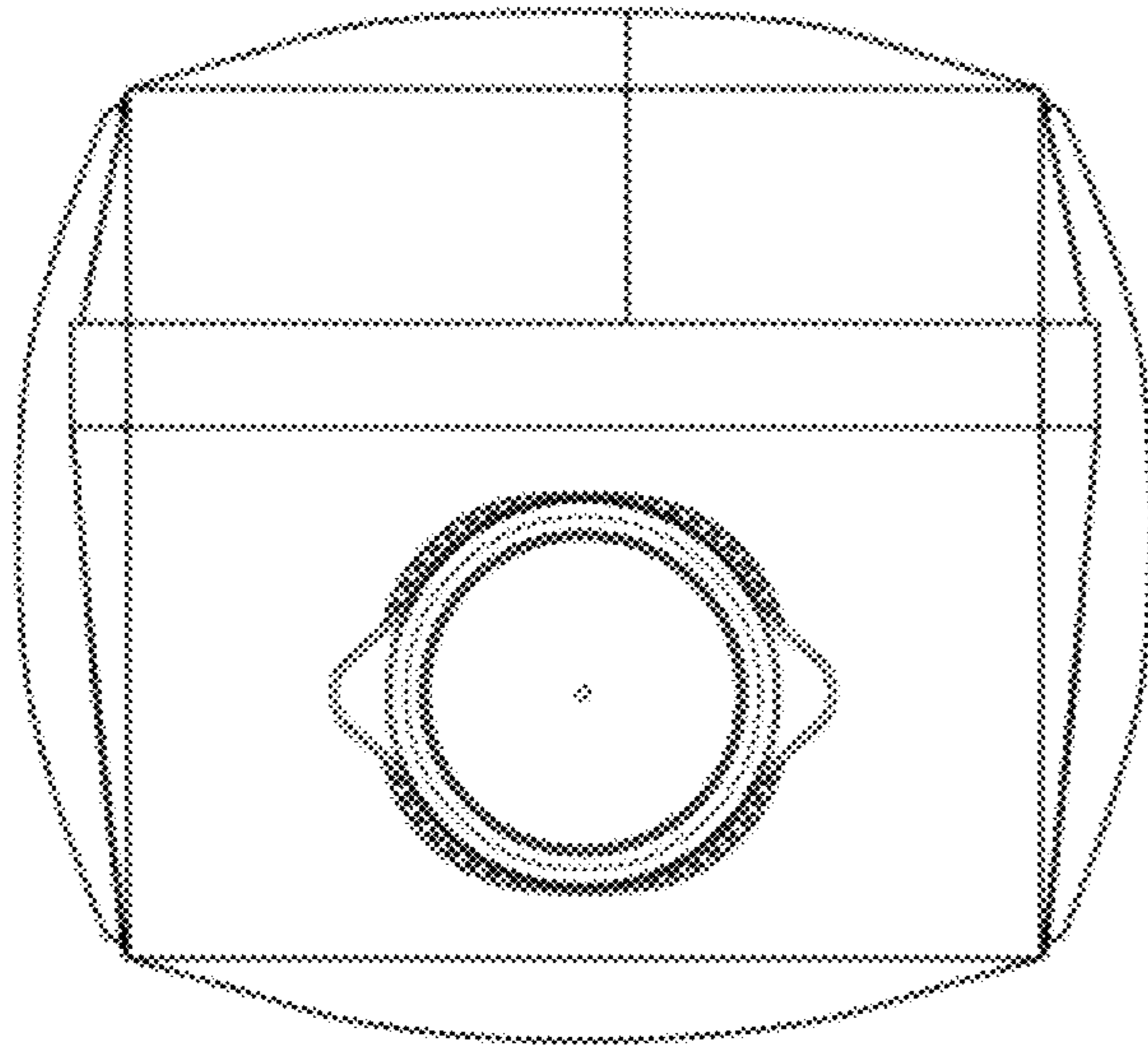
**FIG. 3**



**FIG. 4**

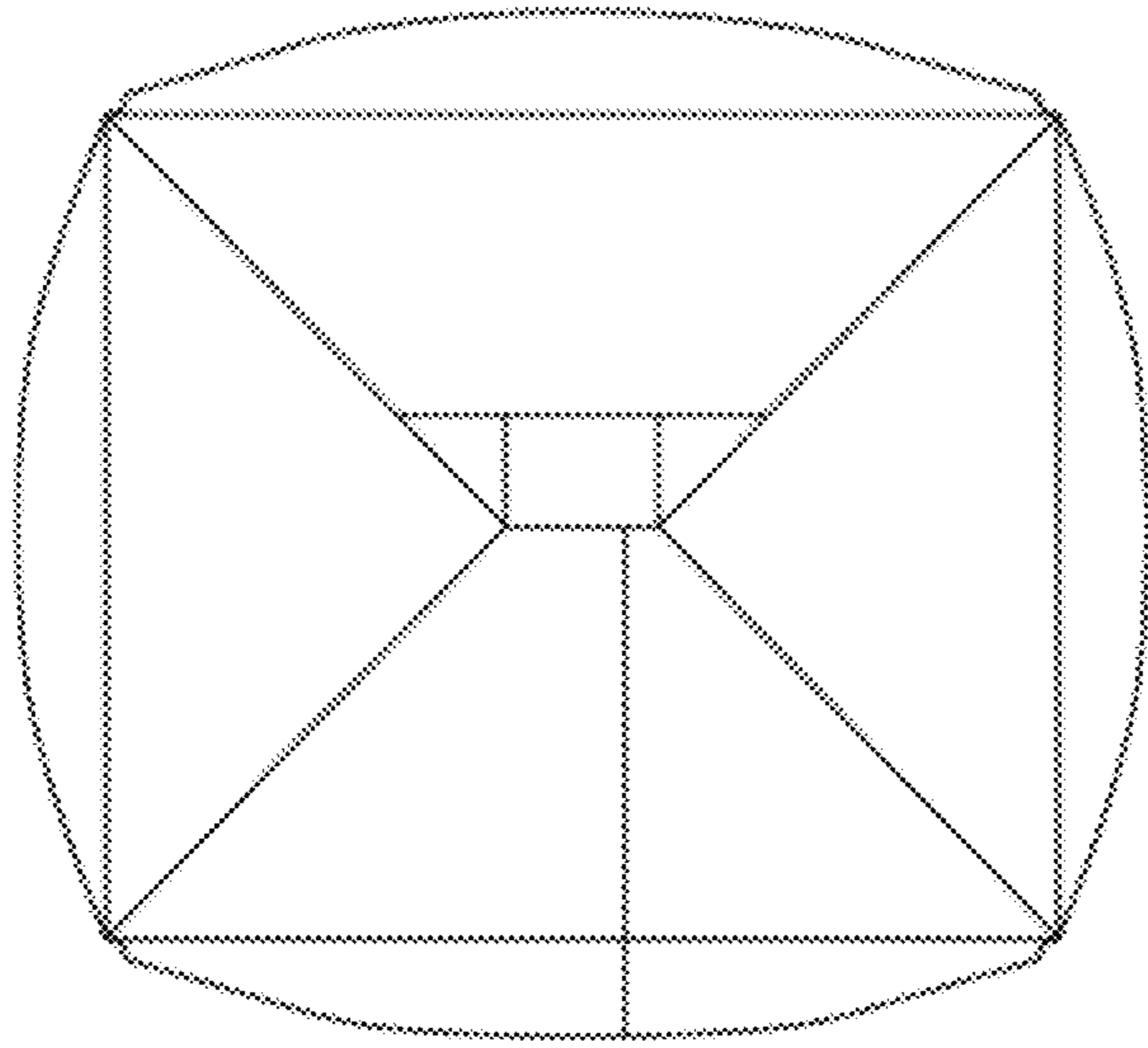


**FIG. 5**

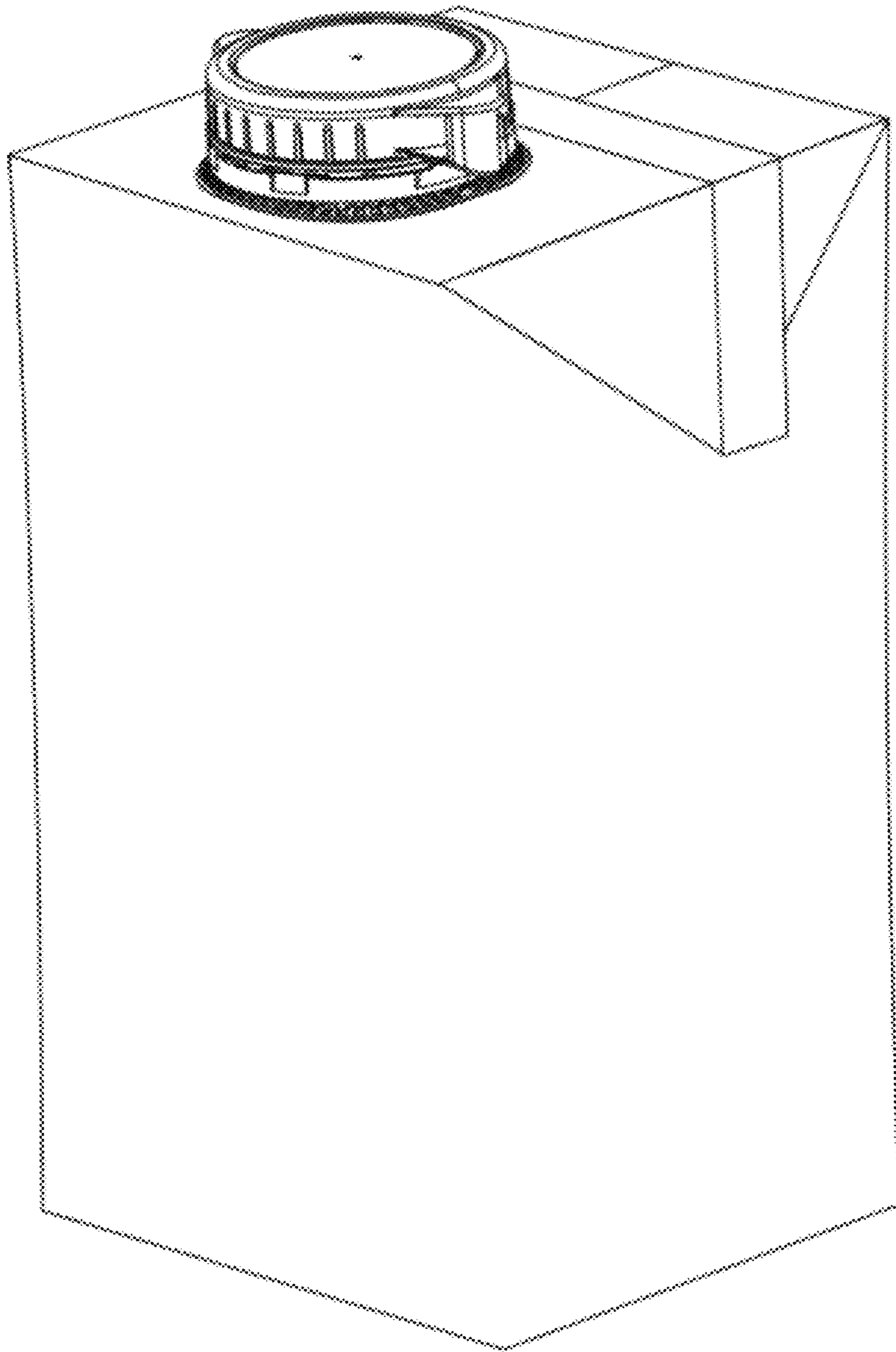


**FIG. 6**

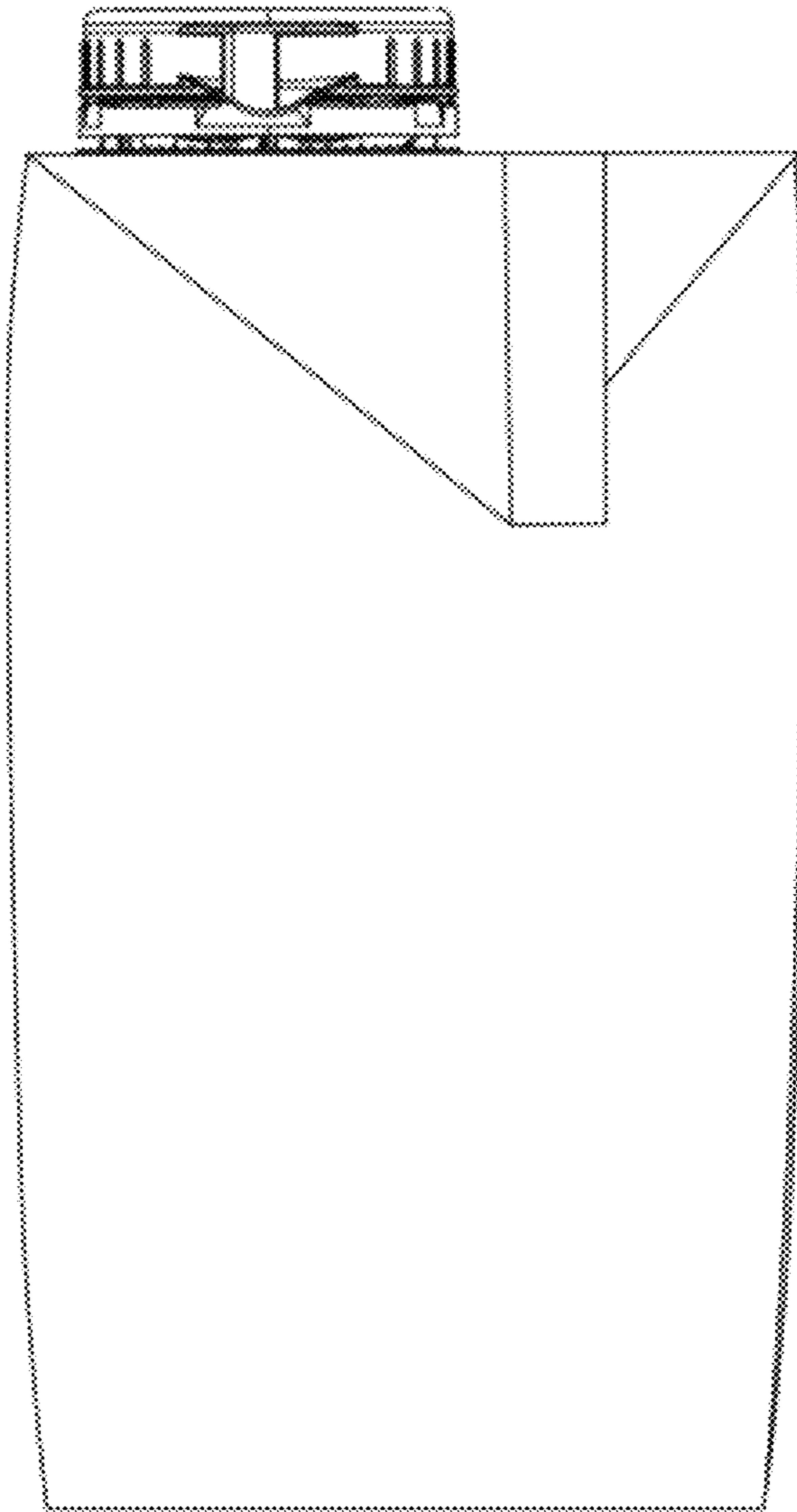




**FIG. 7**



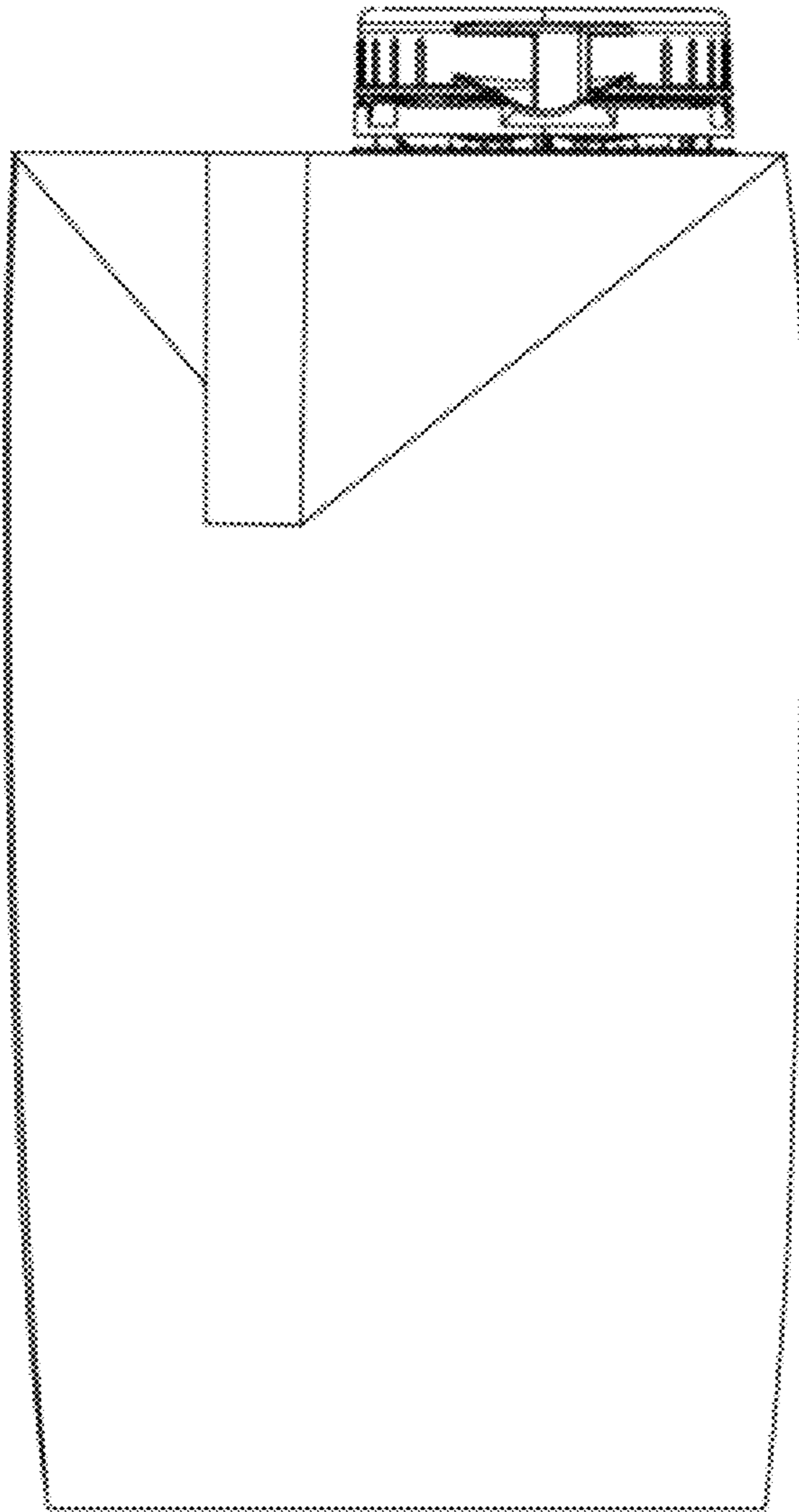
**FIG. 8**



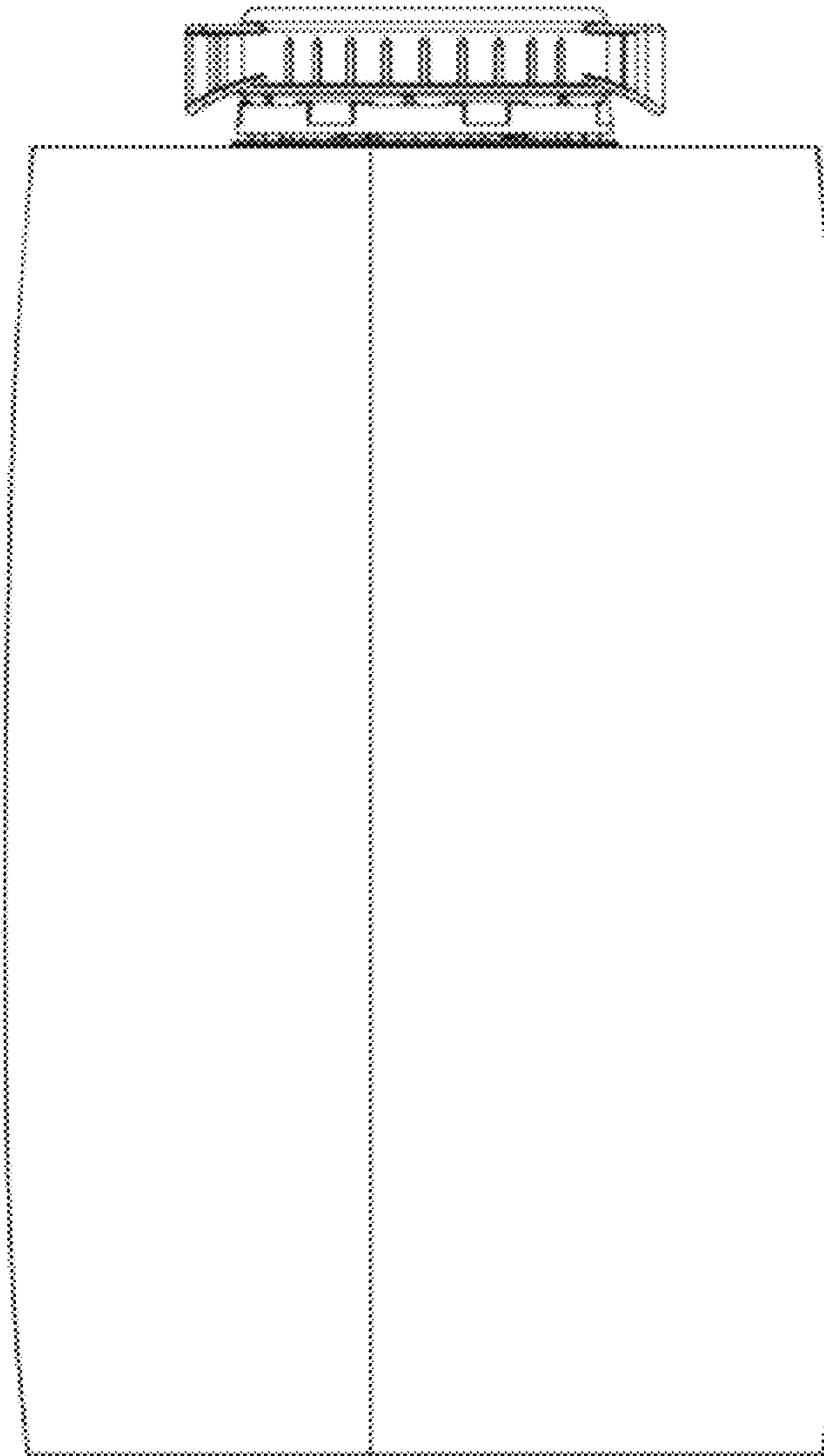
**FIG. 9**



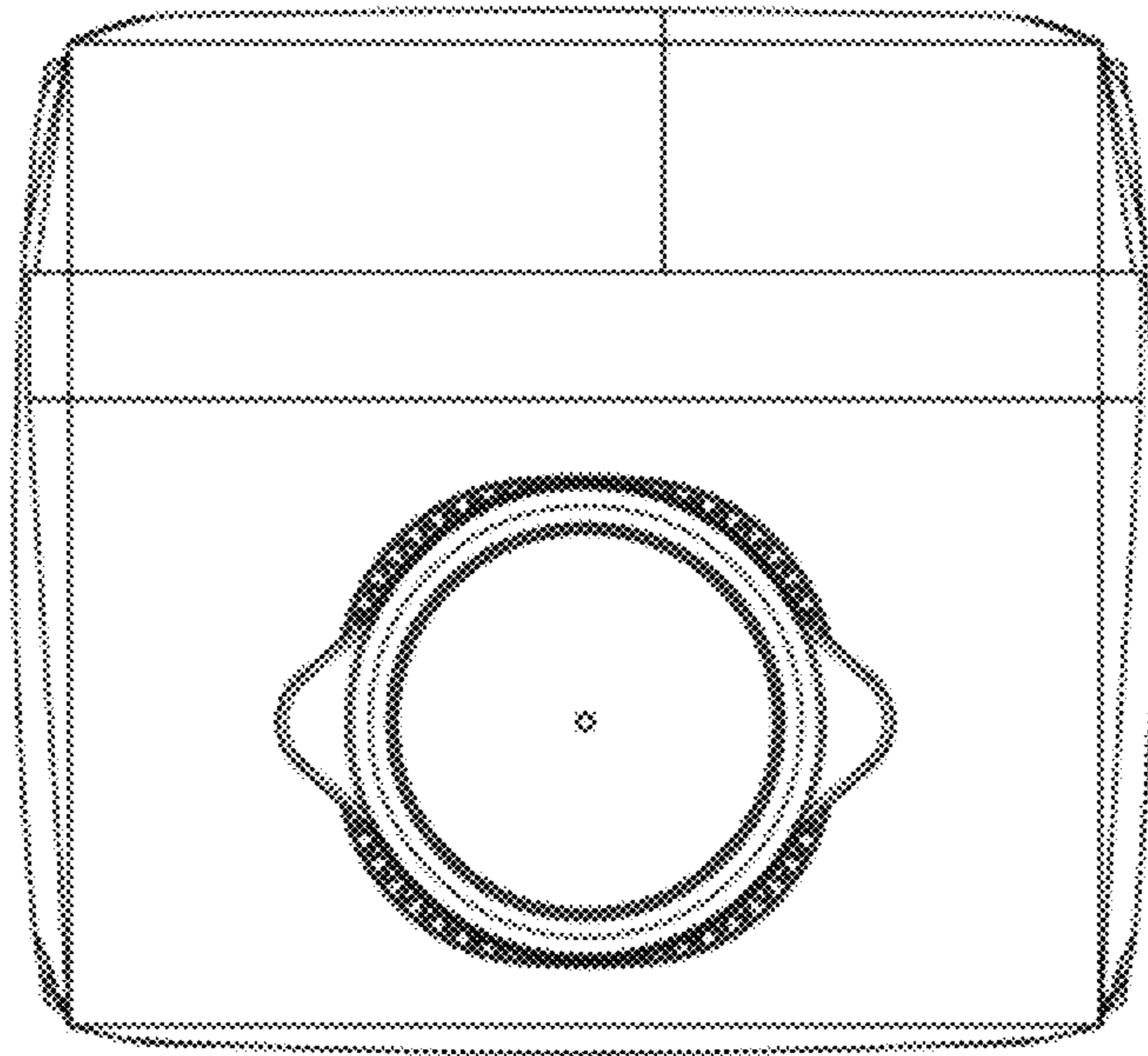
**FIG. 10**



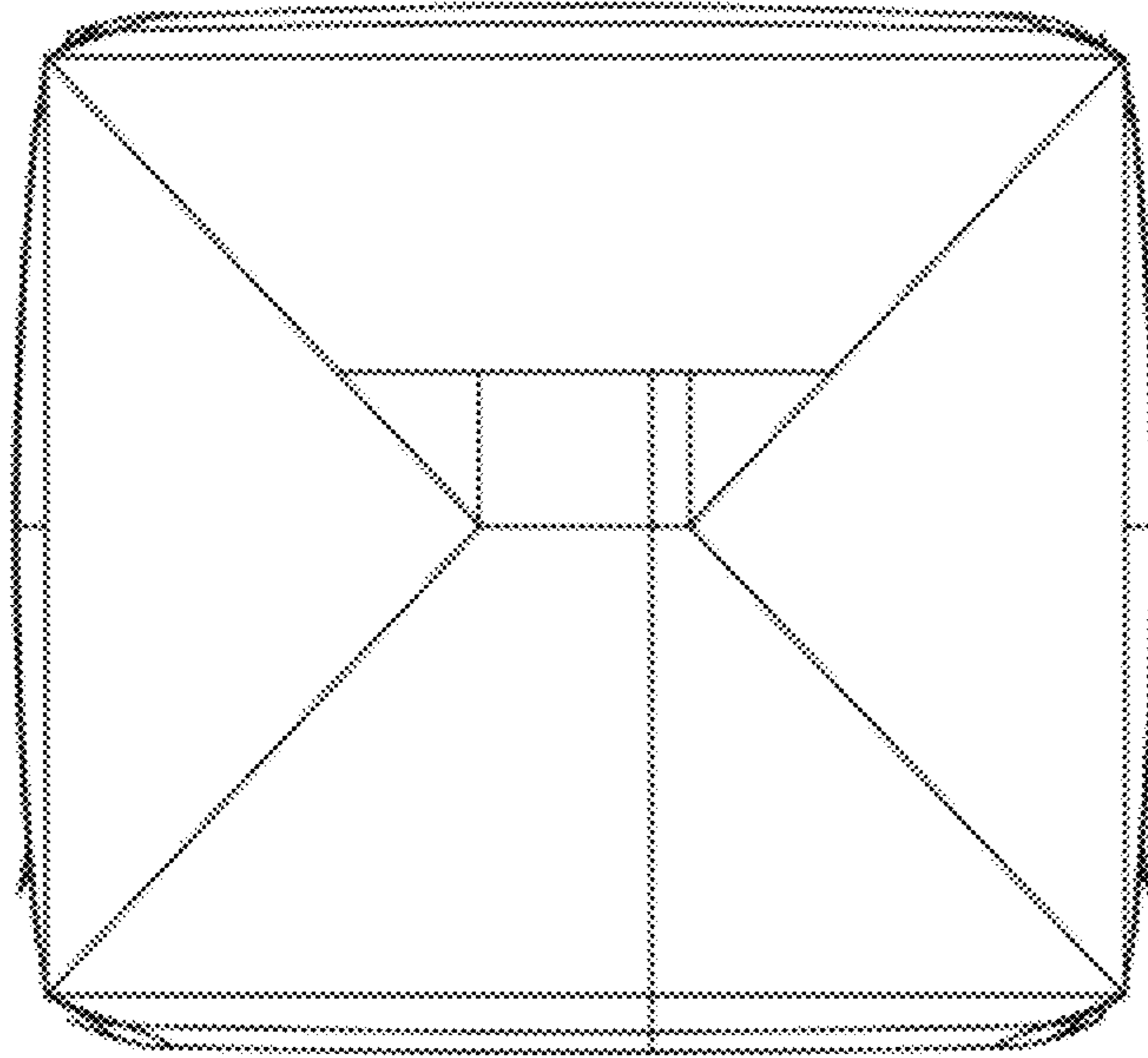
**FIG. 11**



**FIG. 12**



**FIG. 13**



**FIG. 14**



UNITED STATES PATENT AND TRADEMARK OFFICE  
**CERTIFICATE OF CORRECTION**

PATENT NO. : D932,885 S  
APPLICATION NO. : 29/759495  
DATED : October 12, 2021  
INVENTOR(S) : Roberto De Pietri Tonelli et al.

Page 1 of 1

It is certified that error appears in the above-identified patent and that said Letters Patent is hereby corrected as shown below:

On the Title Page

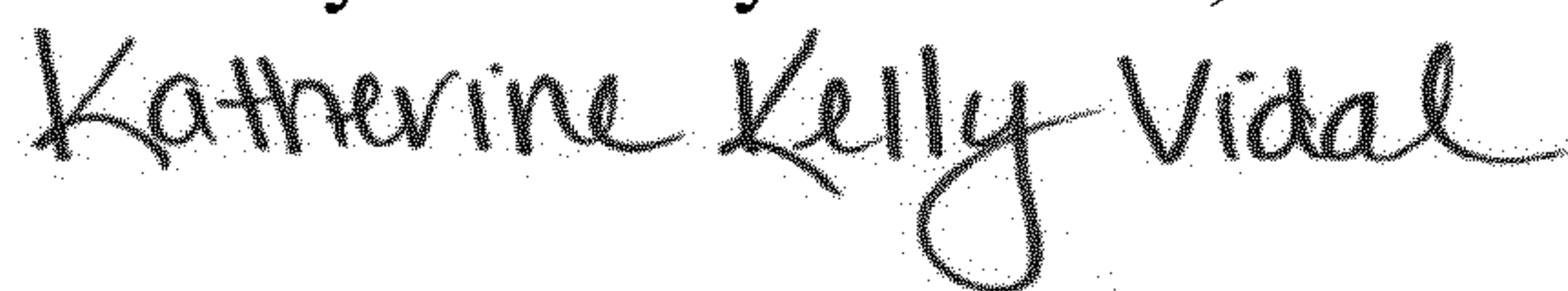
Item (30) Foreign Application Priority Data:

“April 20, 2018 (WO) ..... 005241767”

Should be:

“April 20, 2018 (EM) ..... 005241767”

Signed and Sealed this  
Twenty-first Day of March, 2023



Katherine Kelly Vidal  
*Director of the United States Patent and Trademark Office*