



US00D932884S

(12) **United States Design Patent**
Gill

(10) **Patent No.:** **US D932,884 S**

(45) **Date of Patent:** **** Oct. 12, 2021**

(54) **WEDGE**

(71) Applicant: **BC Construction Wholesale Ltd.,**
Coquitlam (CA)

(72) Inventor: **Sartaj Gill, Coquitlam (CA)**

(**) Term: **15 Years**

(21) Appl. No.: **29/736,334**

(22) Filed: **May 29, 2020**

(51) **LOC (13) Cl.** **08-09**

(52) **U.S. Cl.**
USPC **D8/402; D8/354**

(58) **Field of Classification Search**
USPC D8/47, 389, 354, 349, 374, 499, 402
CPC ... E04F 21/22; E04F 21/1877; E04F 21/1844;
E04F 21/0092; E04F 21/20; E04F
15/02005; E04F 13/0892; E04F 15/02;
E04F 2015/02094; Y10T 403/553; Y10T
403/75

See application file for complete search history.

(56) **References Cited**

U.S. PATENT DOCUMENTS

D406,028 S *	2/1999	Montgomery	D8/47
D421,374 S *	3/2000	Montgomery	D8/47
8,887,475 B2 *	11/2014	Ghelfi	E04F 21/0092 52/749.11
D760,566 S *	7/2016	Biec	D8/47
D762,464 S *	8/2016	Peterson	D8/402
9,534,403 B2 *	1/2017	Biec	E04F 21/0092
D783,394 S *	4/2017	Peterson	D8/402
9,970,203 B1 *	5/2018	Abidov	E04F 21/0092
D820,059 S *	6/2018	Biec	E04F 21/1877 D8/47
D821,838 S *	7/2018	Castellanos	D8/47
D828,735 S *	9/2018	Bunch	D8/47
D829,532 S *	10/2018	Bunch	D8/354

D832,680 S *	11/2018	Bunch	D8/354
D833,260 S *	11/2018	Dumlao	D8/354
D856,128 S *	8/2019	Kazutaka	D8/402
D860,775 S *	9/2019	Kazutaka	D8/402
10,501,947 B2 *	12/2019	Bunch	E04F 21/1877
D881,665 S *	4/2020	Zemel	D8/47
D885,862 S *	6/2020	Bacia	D8/47
D899,900 S *	10/2020	Blanco	D8/354
10,934,724 B2 *	3/2021	Gorton	E04F 21/22
10,947,740 B2 *	3/2021	Sighinolfi	E04F 15/02022
2013/0055675 A1 *	3/2013	Sighinolfi	E04F 15/02022 52/749.11
2014/0116001 A1 *	5/2014	Ghelfi	E04F 21/0092 52/749.11
2015/0308130 A1 *	10/2015	Biec	E04F 21/0092 52/749.11
2016/0186449 A1 *	6/2016	Lee	E04F 21/1877 33/527

(Continued)

Primary Examiner — Keli L Hill

Assistant Examiner — Harold E Blackwell, II

(74) *Attorney, Agent, or Firm* — The Sladkus Law Group

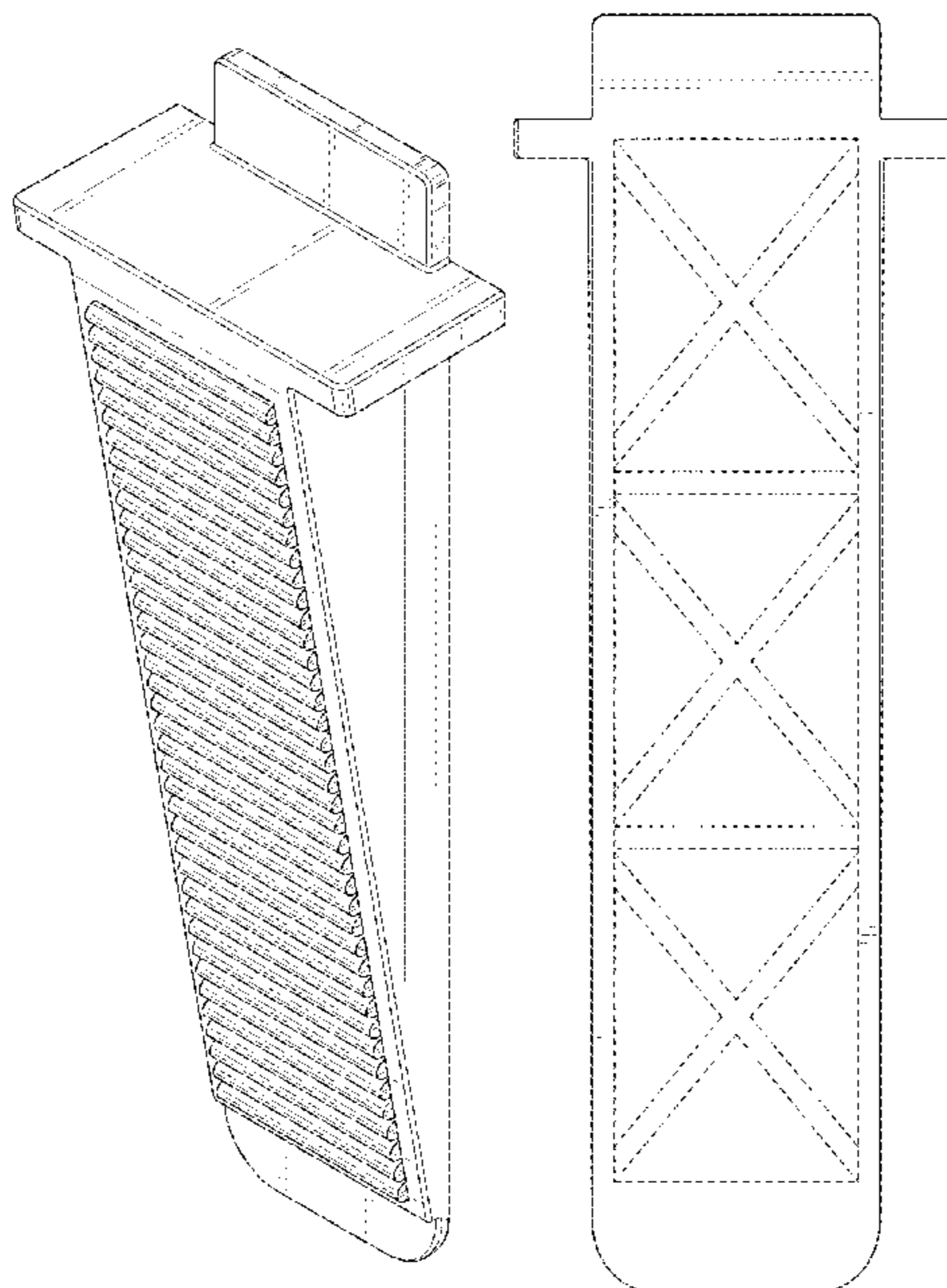
(57) **CLAIM**

The ornamental design for a wedge, as shown and described.

DESCRIPTION

FIG. 1 is a perspective view of a wedge of the present application;
FIG. 2 is a front elevation view of the wedge of FIG. 1;
FIG. 3 is a rear elevation view of the wedge of FIG. 1;
FIG. 4 is a left side elevation view of the wedge of FIG. 1;
FIG. 5 is a right side elevation view of the wedge of FIG. 1;
FIG. 6 is a top view of the wedge of FIG. 1; and,
FIG. 7 is a bottom view of the wedge of FIG. 1.
The broken lines shown in FIG. 3 are for the purpose of illustrating environmental structure and form no part of the claimed design.

1 Claim, 5 Drawing Sheets



(56)

References Cited

U.S. PATENT DOCUMENTS

2016/0222679 A1* 8/2016 Bunch E04F 21/1844
2019/0169863 A1* 6/2019 Torrents Comas . E04F 21/0092

* cited by examiner

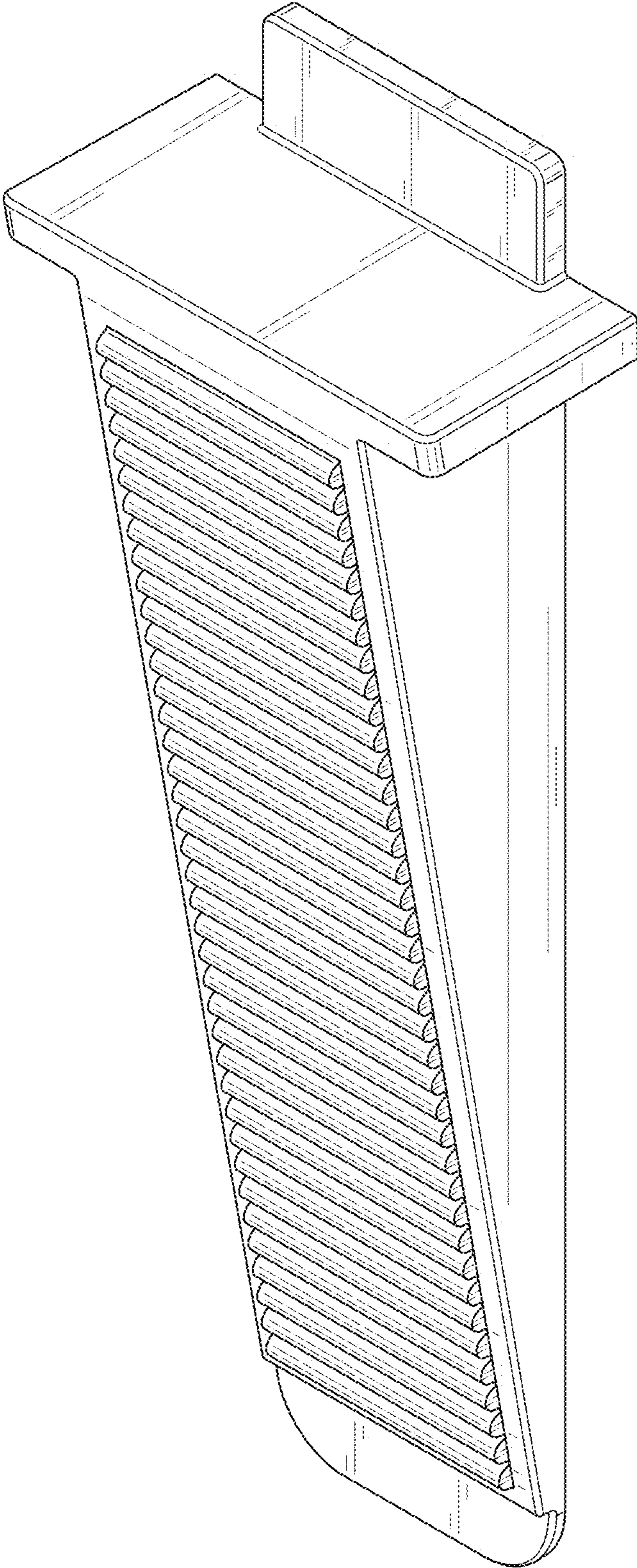


FIG. 1

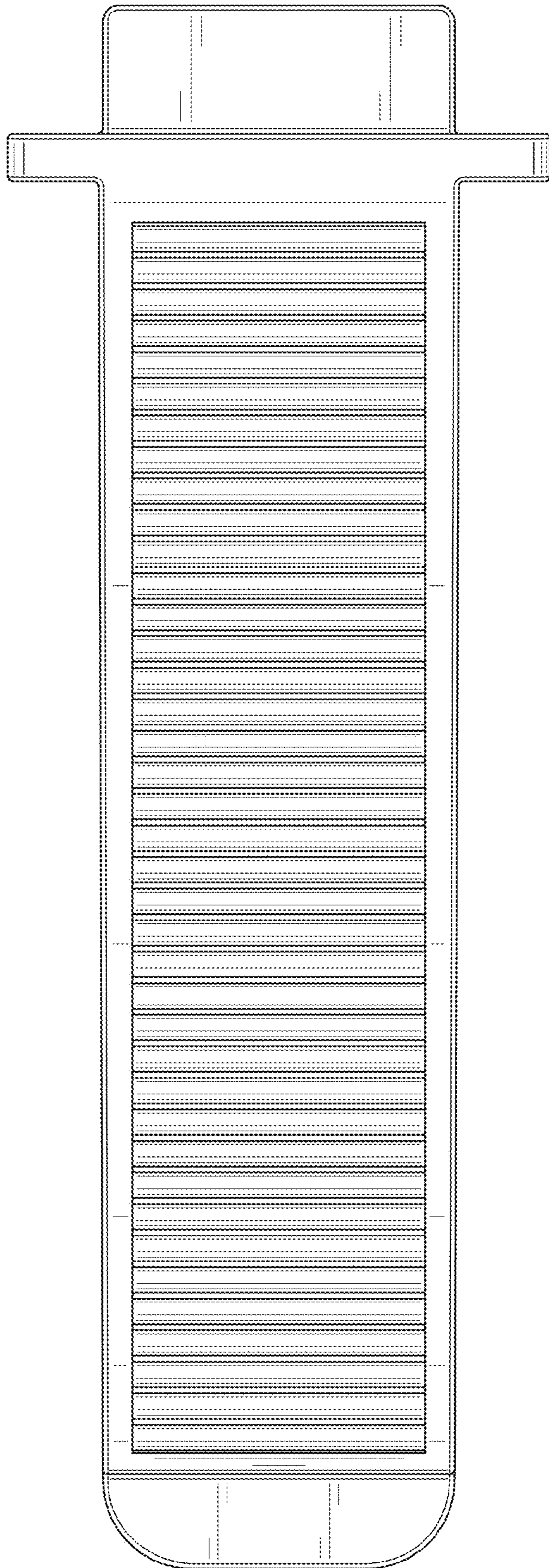


FIG. 2

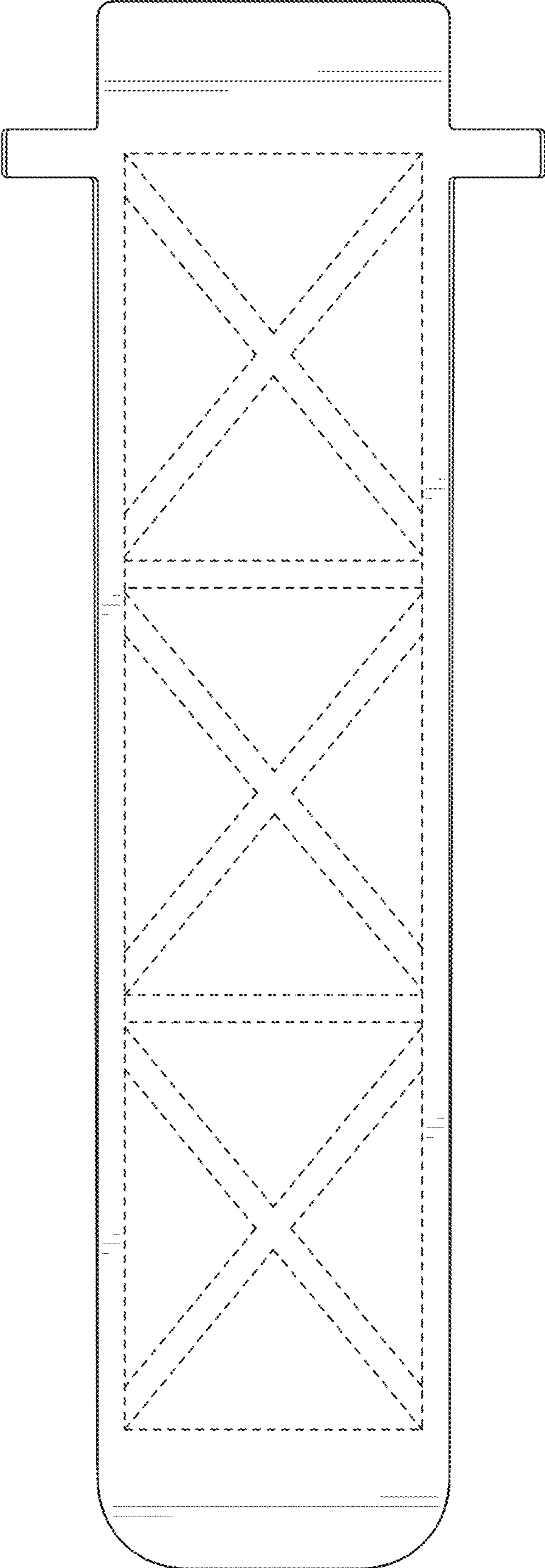


FIG. 3

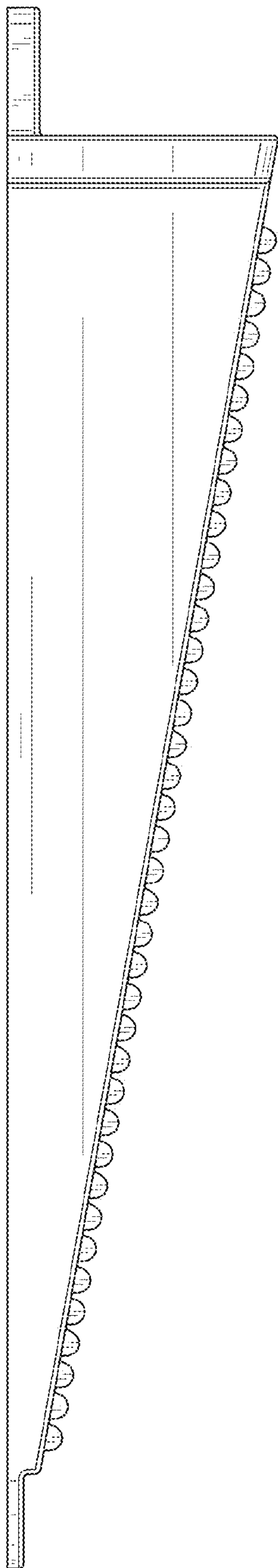


FIG. 4

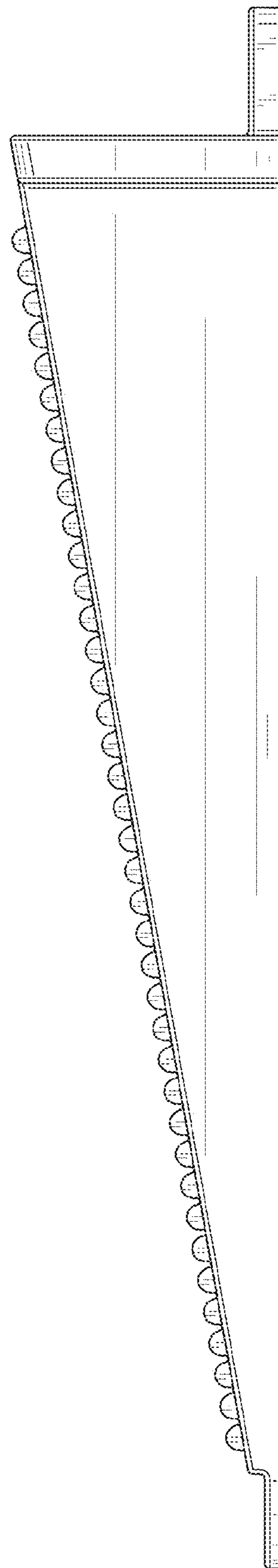


FIG. 5

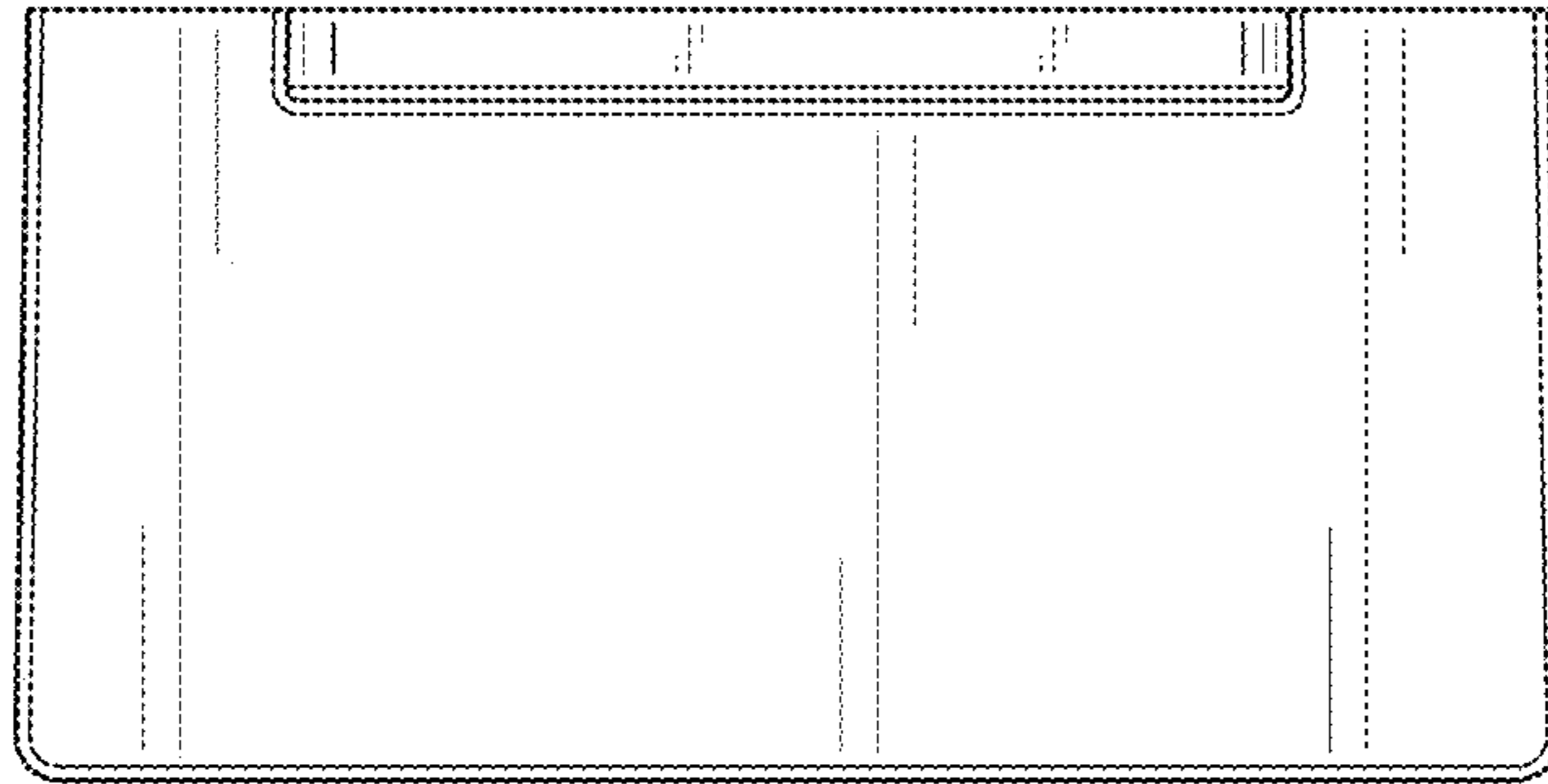


FIG. 6

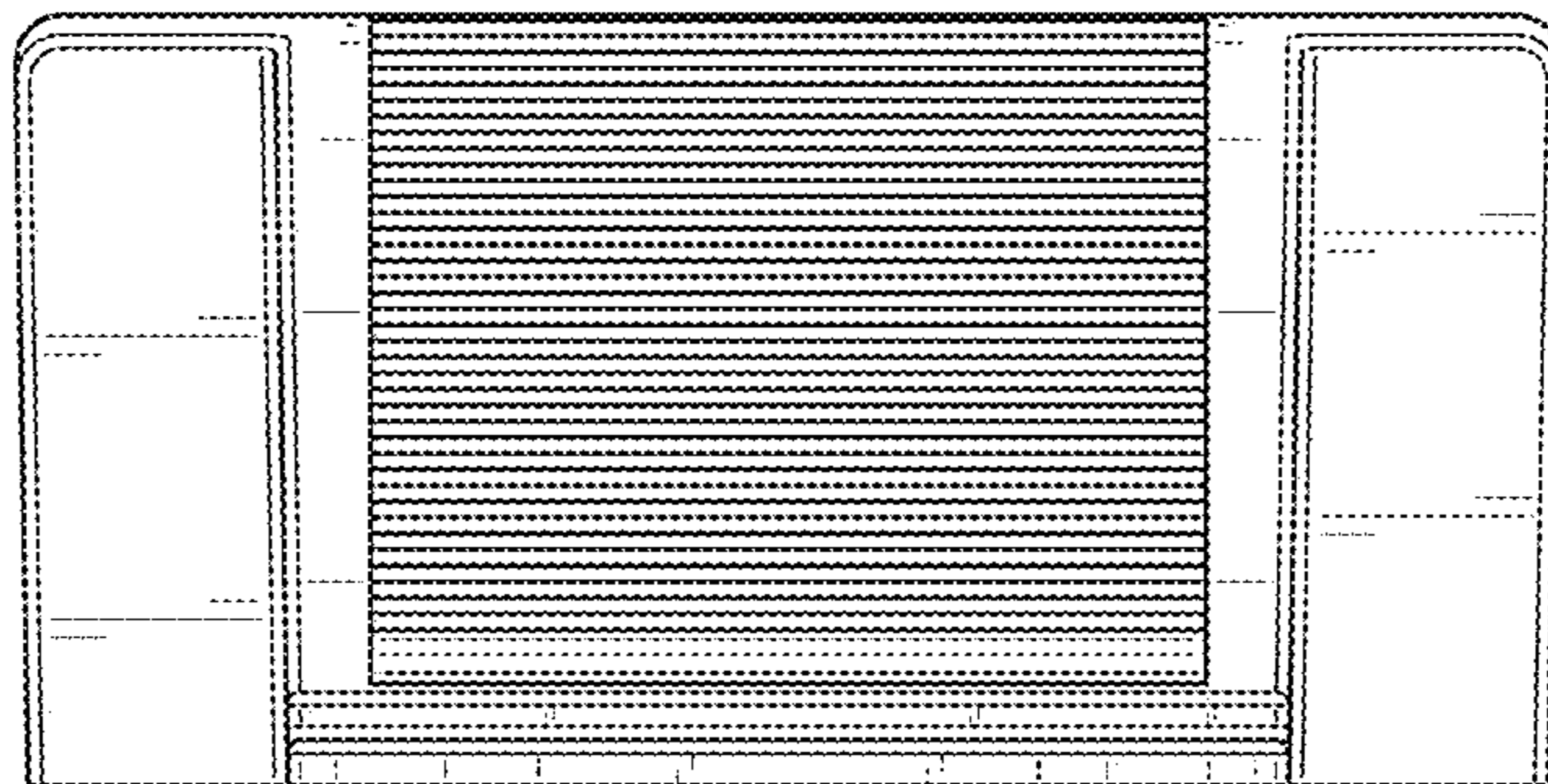


FIG. 7