



US00D932882S

(12) **United States Design Patent** (10) **Patent No.:** **US D932,882 S**
Kellum (45) **Date of Patent:** **** Oct. 12, 2021**

(54) **CORNER KEY**
(71) Applicant: **Amesbury Group, Inc.**, Edina, MN (US)
(72) Inventor: **Wilbur J. Kellum**, Garretson, SD (US)
(73) Assignee: **AMESBURY GROUP, INC.**, Edina, MN (US)
(**) Term: **15 Years**

2,996,159 A 8/1961 Casebolt
3,269,455 A 8/1966 Gillotti
3,294,429 A 12/1966 Halip
3,294,430 A 12/1966 Halip
(Continued)

FOREIGN PATENT DOCUMENTS

CN 102434553 5/2012
CN 109025708 12/2018
(Continued)

(21) Appl. No.: **29/763,370**
(22) Filed: **Dec. 22, 2020**

OTHER PUBLICATIONS

Strybuc replacement corner keys, pp. 250-253: located online at: <http://www.strybuc.com/public/Catalogs/Strybuc/Strybuc-Window-and-Door-Hardware-Catalog-2016/#?page=250>, 2016.

Related U.S. Application Data

(62) Division of application No. 29/690,672, filed on May 9, 2019, now Pat. No. Des. 909,855.
(51) **LOC (13) Cl.** **08-08**
(52) **U.S. Cl.**
USPC **D8/382**
(58) **Field of Classification Search**
USPC D8/349, 354, 403, 382, 400; D6/702, D6/300, 301
CPC E06B 9/52; E06B 9/58; E06B 2009/527; E06B 2009/528; E06B 2009/587; E06B 3/96; E06B 3/962; E06B 3/9644; E06B 3/9628; E06B 3/9647; E06B 3/9648; E06B 3/968; E06B 3/9681; E06B 3/9682; B65D 81/053; B65D 81/057; A47G 1/17; A47G 1/0638; A47G 1/101
See application file for complete search history.

Primary Examiner — Holly E Thurman
Assistant Examiner — Ieisha N Price
(74) *Attorney, Agent, or Firm* — Merchant & Gould P.C.

(57) **CLAIM**

The ornamental design for a corner key, as shown and described.

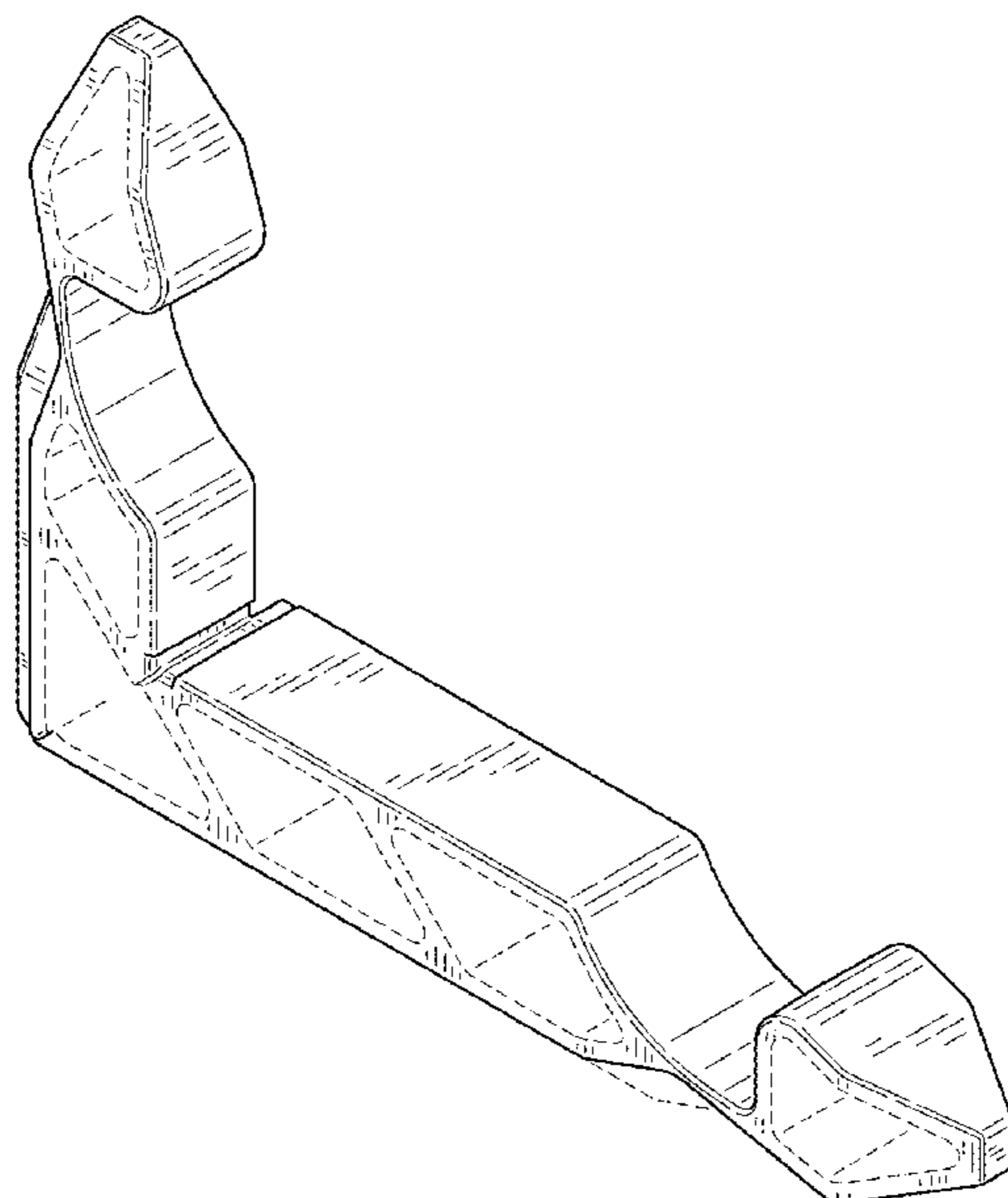
DESCRIPTION

FIG. 1 is a perspective view of a corner key. FIG. 2 is a front elevation view of the corner key of FIG. 1. FIG. 3 is a rear elevation view of the corner key of FIG. 1. FIG. 4 is a right elevation view of the corner key of FIG. 1. FIG. 5 is a left elevation view of the corner key of FIG. 1. FIG. 6 is a top plan view of the corner key of FIG. 1; and, FIG. 7 is a bottom plan view of the corner key of FIG. 1. The broken lines depict portions of the corner key that form no part of the claimed design and the dot-dot-dash lines define the boundaries of the corner key that form no part of the claimed design.

(56) **References Cited**
U.S. PATENT DOCUMENTS

1,767,487 A * 6/1930 Shogren E06B 9/52 49/388
1,852,866 A 4/1932 Weitzel

1 Claim, 5 Drawing Sheets



(56)

References Cited

U.S. PATENT DOCUMENTS

3,485,519 A 12/1969 Chiu
 3,604,739 A 9/1971 Carlisle
 3,627,359 A 12/1971 Paul
 3,643,989 A 2/1972 Sattler
 3,709,533 A 1/1973 Walters
 3,782,054 A 1/1974 Goss, Jr.
 3,784,043 A 1/1974 Presnick
 3,797,194 A 3/1974 Ekstein
 3,829,226 A 8/1974 Kreusel
 3,866,380 A 2/1975 Benson
 3,932,046 A 1/1976 Kawazu
 4,049,355 A 9/1977 Kawazu
 4,090,799 A 5/1978 Crotti
 4,136,470 A 1/1979 Barz
 4,139,316 A 2/1979 Svensson
 D252,365 S * 7/1979 Durham, III D8/382
 4,195,681 A 4/1980 Douglas
 4,240,765 A 12/1980 Offterdinger
 4,296,587 A 10/1981 Berdan
 D267,764 S 2/1983 Sundberg
 4,380,110 A 4/1983 Harig
 4,516,341 A 5/1985 Jenkins
 4,531,315 A 7/1985 Sobel
 4,570,406 A * 2/1986 DiFazio E04C 2/384
 160/381
 4,636,105 A 1/1987 Johansson
 D288,244 S 2/1987 Schmidt
 4,683,634 A 8/1987 Cole
 4,691,486 A 9/1987 Niekrasz
 D292,671 S * 11/1987 Bjorkman D8/382
 4,725,083 A 2/1988 Schauer
 D307,078 S 4/1990 Guillemet
 D313,170 S * 12/1990 Nye D8/382
 4,974,352 A 12/1990 Shwu-Jen
 5,010,708 A 4/1991 Evans
 D317,400 S 6/1991 Loew
 5,040,456 A 8/1991 Hayes
 5,105,591 A 4/1992 Leopold
 5,144,780 A 9/1992 Gieling
 5,165,730 A 11/1992 McElroy
 5,271,171 A 12/1993 Smith
 D346,278 S * 4/1994 Pritchett D6/300
 5,378,077 A 1/1995 Paulsen
 5,431,211 A 7/1995 Guillemet
 5,473,853 A 12/1995 Guillemet
 5,547,011 A 8/1996 Dotson
 5,564,758 A 10/1996 Tiberio
 D382,714 S * 8/1997 Gignac D6/300
 5,918,392 A 7/1999 Bates
 6,108,997 A 8/2000 Blais
 6,413,004 B1 7/2002 Lin

6,427,588 B1 8/2002 Kline
 D465,033 S 10/2002 Messier
 D465,522 S 11/2002 Beno
 6,546,660 B2 4/2003 Roy
 D530,193 S 10/2006 Goldenberg
 7,677,003 B2 3/2010 Baughn
 7,806,620 B1 10/2010 Brochez
 8,028,489 B1 10/2011 Lawrence
 8,250,819 B2 8/2012 Subra
 8,763,342 B2 7/2014 Tseng
 D731,298 S 6/2015 Therroen
 D736,065 S 8/2015 Castellano
 D744,667 S 12/2015 MacDonald
 D761,641 S 7/2016 Pace
 9,869,122 B2 1/2018 Isaacs
 9,879,472 B2 1/2018 Isaacs
 D822,471 S 7/2018 MacDonald
 D832,679 S 11/2018 MacDonald
 10,174,544 B2 1/2019 Kellum
 10,619,405 B2 4/2020 Leontaridis
 D909,855 S 2/2021 Kellum
 2002/0005261 A1 1/2002 Therrien
 2003/0000169 A1 1/2003 Davidsaver
 2005/0193680 A1 9/2005 Wang
 2006/0157208 A1 7/2006 Annacchino
 2006/0207182 A1 9/2006 Van Parys
 2007/0056701 A1 3/2007 Brooker
 2008/0056817 A1 3/2008 Fasanella
 2008/0216440 A1 9/2008 Kobayashi
 2008/0219759 A1 9/2008 Therrien
 2009/0282772 A1 11/2009 McGlinchy
 2010/0192508 A1 8/2010 Subra
 2011/0194886 A1 8/2011 Wu
 2013/0019558 A1 1/2013 Tseng
 2013/0064600 A1 3/2013 Tseng
 2013/0272777 A1 10/2013 Hayter
 2014/0318049 A1 10/2014 Paquet
 2015/0121788 A1 5/2015 Kim
 2016/0265268 A1 9/2016 Therrien
 2017/0218680 A1 8/2017 Isaacs
 2018/0347262 A1 12/2018 Kellum
 2019/0178025 A1 6/2019 Kellum
 2020/0355022 A1 11/2020 Kellum

FOREIGN PATENT DOCUMENTS

CN 109681094 4/2019
 DE 202006003782 7/2007
 DE 102011120374 6/2013
 EP 2479373 7/2012
 FR 2727167 11/1994
 FR 3012839 5/2015
 JP 06240958 8/1994

* cited by examiner

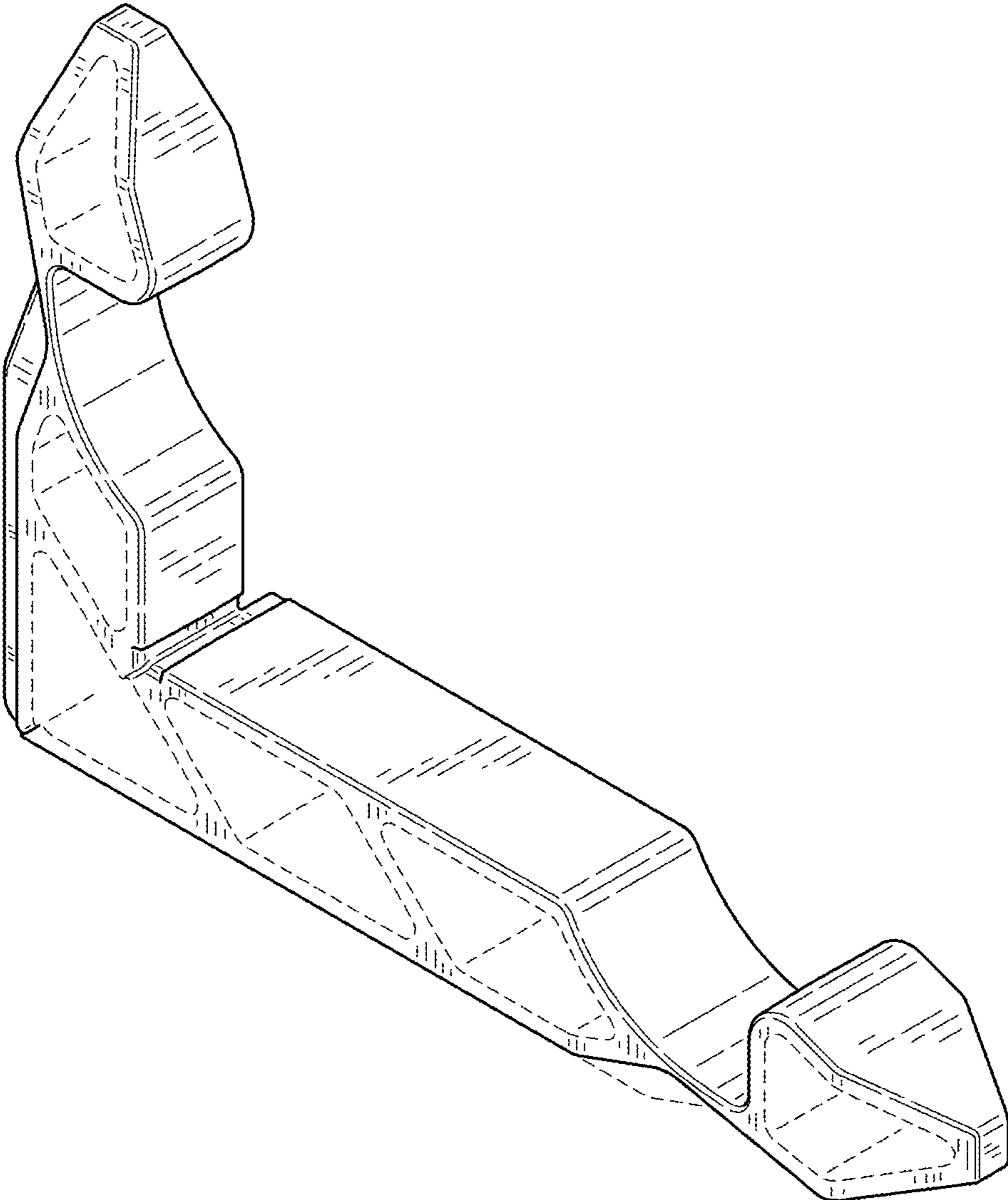


FIG.1

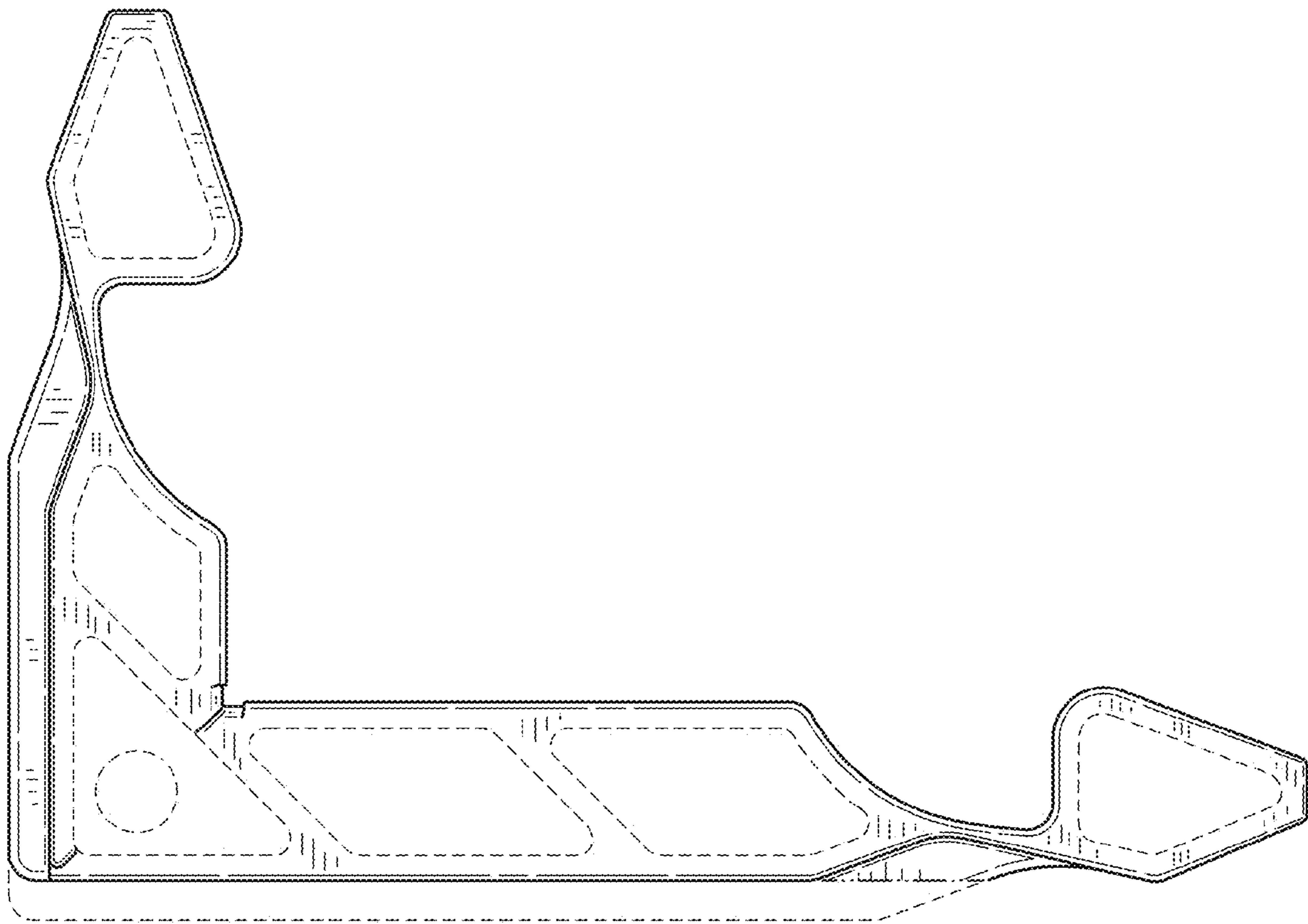


FIG.2

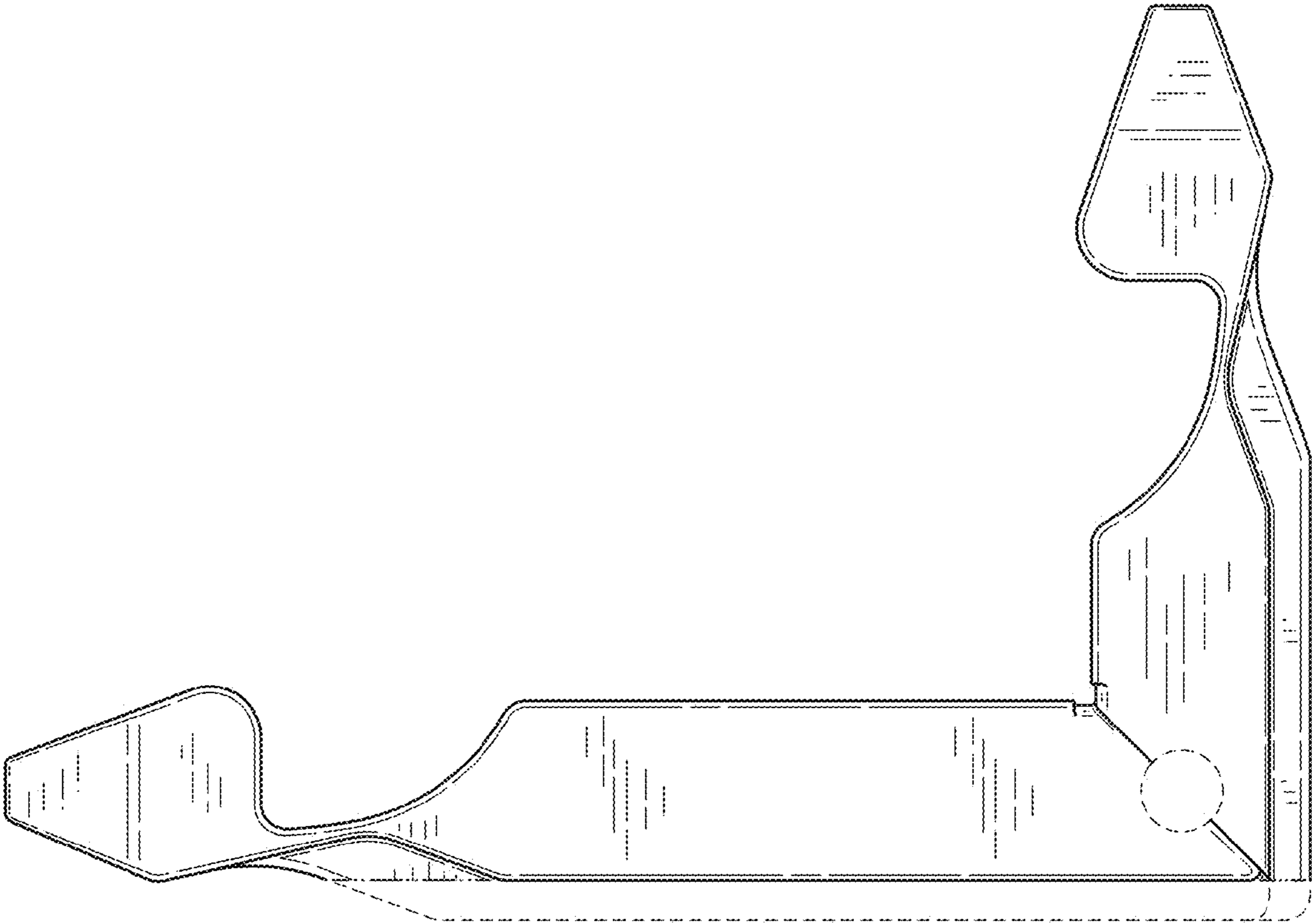


FIG.3

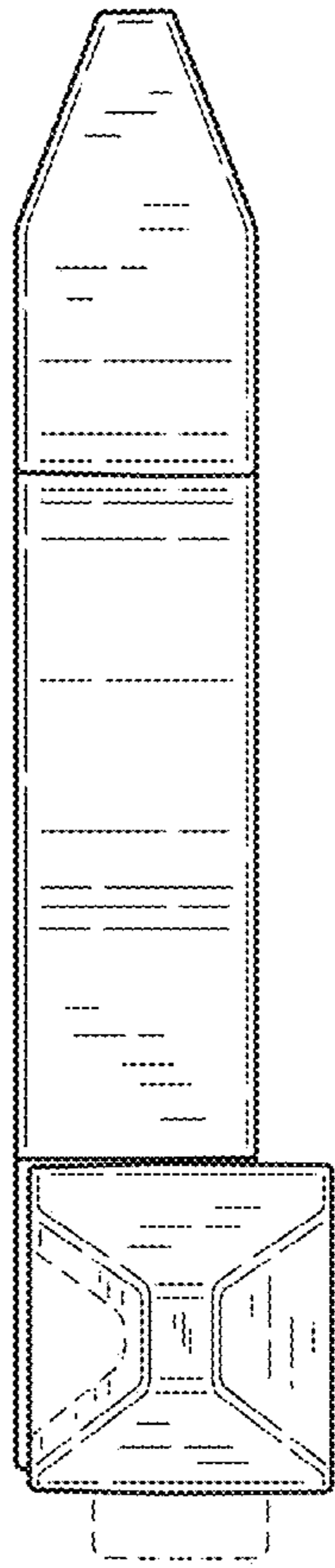


FIG. 4

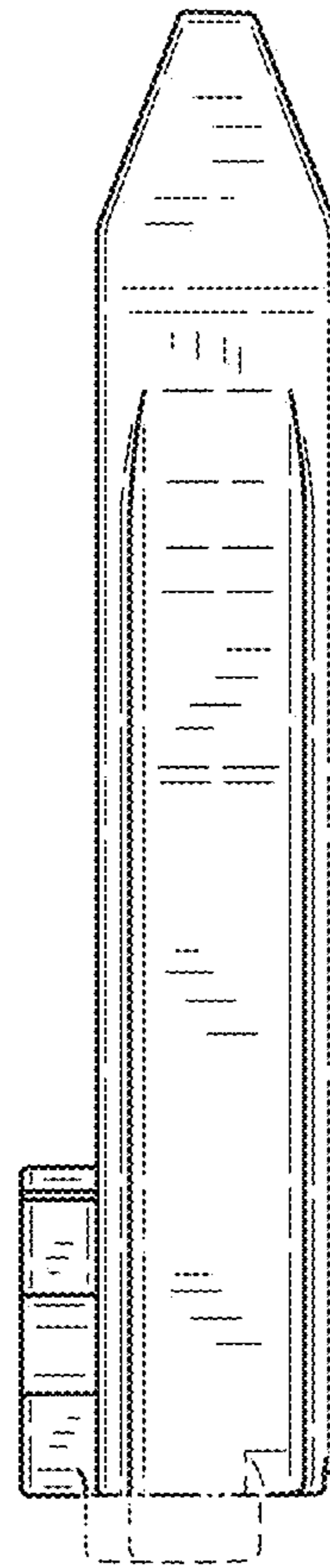


FIG. 5

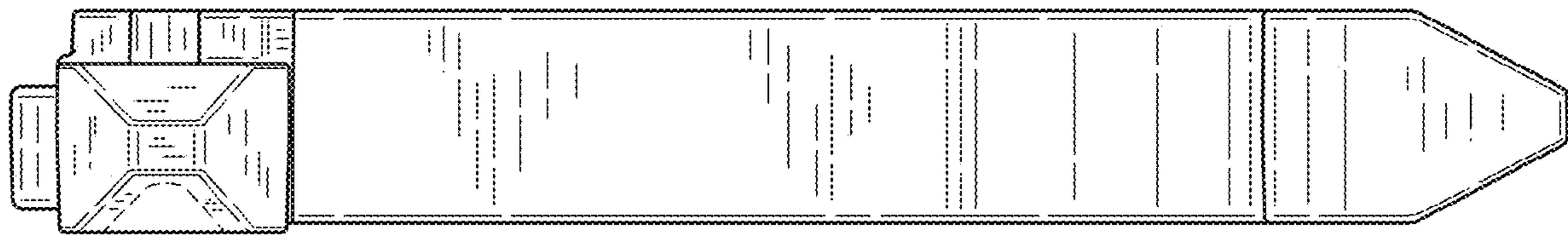


FIG. 6

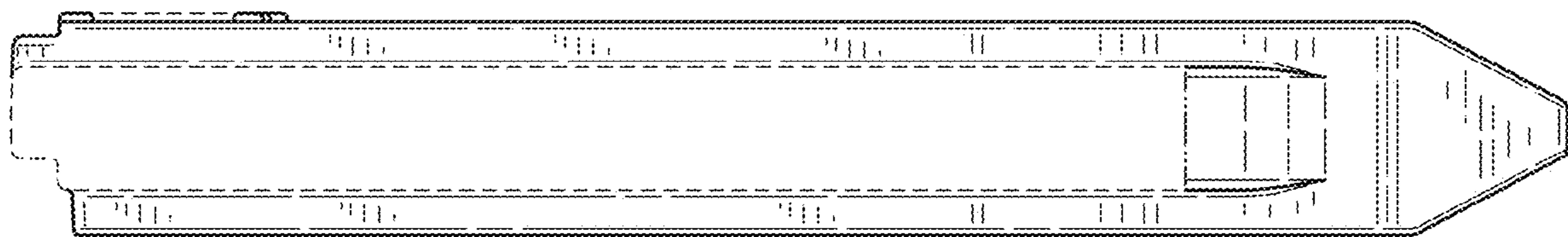


FIG. 7