



US00D932880S

(12) **United States Design Patent**
Trammell

(10) **Patent No.:** **US D932,880 S**

(45) **Date of Patent:** **** *Oct. 12, 2021**

(54) **BATTERY MOUNT ADAPTER HOLDER**

6,666,414 B2 * 12/2003 Dean G11B 33/124
248/27.1

(71) Applicant: **Ryan Trammell**, Cedar Hill, TX (US)

D603,248 S * 11/2009 Bar-Erez D8/373

(72) Inventor: **Ryan Trammell**, Cedar Hill, TX (US)

D703,029 S * 4/2014 Fox D8/373

(*) Notice: This patent is subject to a terminal disclaimer.

D746,128 S * 12/2015 Stanton D8/380

D747,225 S * 1/2016 Decook D10/60

D830,116 S * 10/2018 Seiders D7/388

D843,180 S * 3/2019 Seiders D7/605

(Continued)

(**) Term: **15 Years**

OTHER PUBLICATIONS

(21) Appl. No.: **29/695,472**

Battery Mount Adapter Dock Holder, Lone Star Signs, first available on Oct. 30, 2018 on amazon.com, retrieved on Oct. 26, 2020, retrieved from the Internet URL: <https://www.amazon.com/Battery-Mount-Adapter-Holder-Dewalt/dp/B07KXWP4DF>.*

(22) Filed: **Jun. 19, 2019**

(Continued)

(51) **LOC (13) Cl.** **08-05**

(52) **U.S. Cl.**

USPC **D8/373**

(58) **Field of Classification Search**

USPC D13/102-106, 110, 118-119, 154, 156,
D13/184; D8/354, 373, 380, 381, 382,
D8/399

CPC Y02E 60/12; Y02E 60/122; Y02E 60/124;
Y02E 60/50; H01M 2/02; H01M 2/022;
H01M 2/0202; H01M 2/0207; H01M
2/0212; H01M 2/1061; H01M 2/1022;
H01M 2/1055; H01M 2/1066; H01M
2/105; H01M 2/204; H01M 10/4257;
H01M 10/0436; H01M 10/48

See application file for complete search history.

Primary Examiner — Catherine S Posthauer

Assistant Examiner — Alison M Ofstun

(74) *Attorney, Agent, or Firm* — Richard Eldredge;
Leavitt Eldredge Law Firm

(57)

CLAIM

The ornamental design for a battery mount adapter holder, as shown and described.

DESCRIPTION

FIG. 1 is a top perspective view of a battery mount adapter holder showing my new design.

FIG. 2 is a front view of the battery mount adapter holder.

FIG. 3 is a back view of the battery mount adapter holder.

FIG. 4 is a left view of the battery mount adapter holder.

FIG. 5 is a right view of the battery mount adapter holder.

FIG. 6 is a top view of the battery mount adapter holder; and,

FIG. 7 is a bottom view of the battery mount adapter holder.

All solid lines shown on the bottom of the article are flush with the surrounding surface.

(56)

References Cited

U.S. PATENT DOCUMENTS

1,431,662 A * 10/1922 Horning B60T 17/046
248/300

D318,707 S * 7/1991 Barrow D22/107

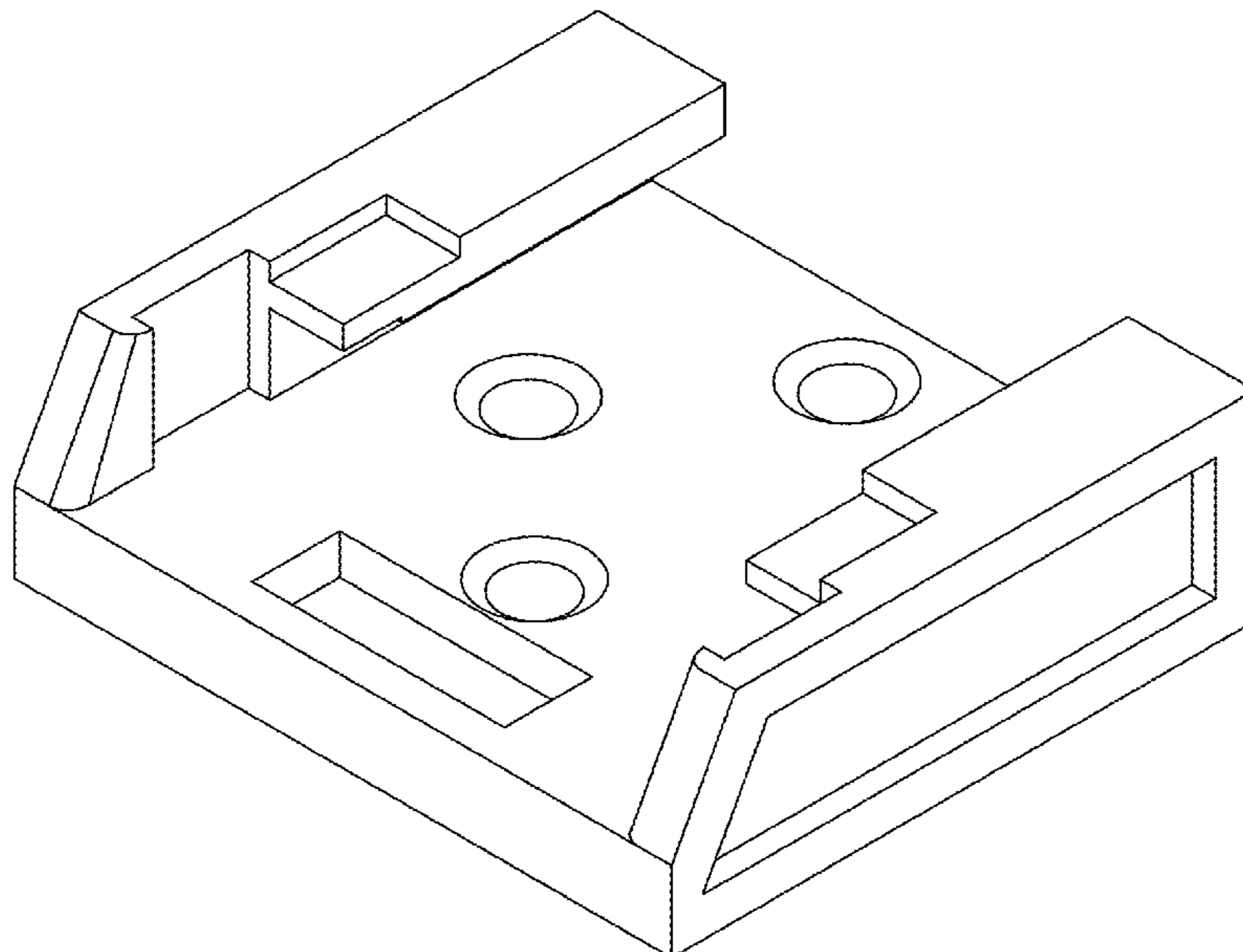
D327,214 S * 6/1992 Stuart D8/373

5,433,416 A * 7/1995 Johnson B65D 23/003
248/475.1

D438,536 S * 3/2001 Willison D14/253

D445,019 S * 7/2001 Vitetta D8/349

1 Claim, 5 Drawing Sheets



(56)

References Cited

U.S. PATENT DOCUMENTS

D850,892 S * 6/2019 Lin D8/373
D867,121 S * 11/2019 Zalme D8/394

OTHER PUBLICATIONS

Ryan Trammell -Partner at Lone Star Signs—LinkedIn, retrieved on
Nov. 2, 2020, retrieved from the Internet URL: <https://www.linkedin.com/in/ryan-trammell-222205117>.*

* cited by examiner

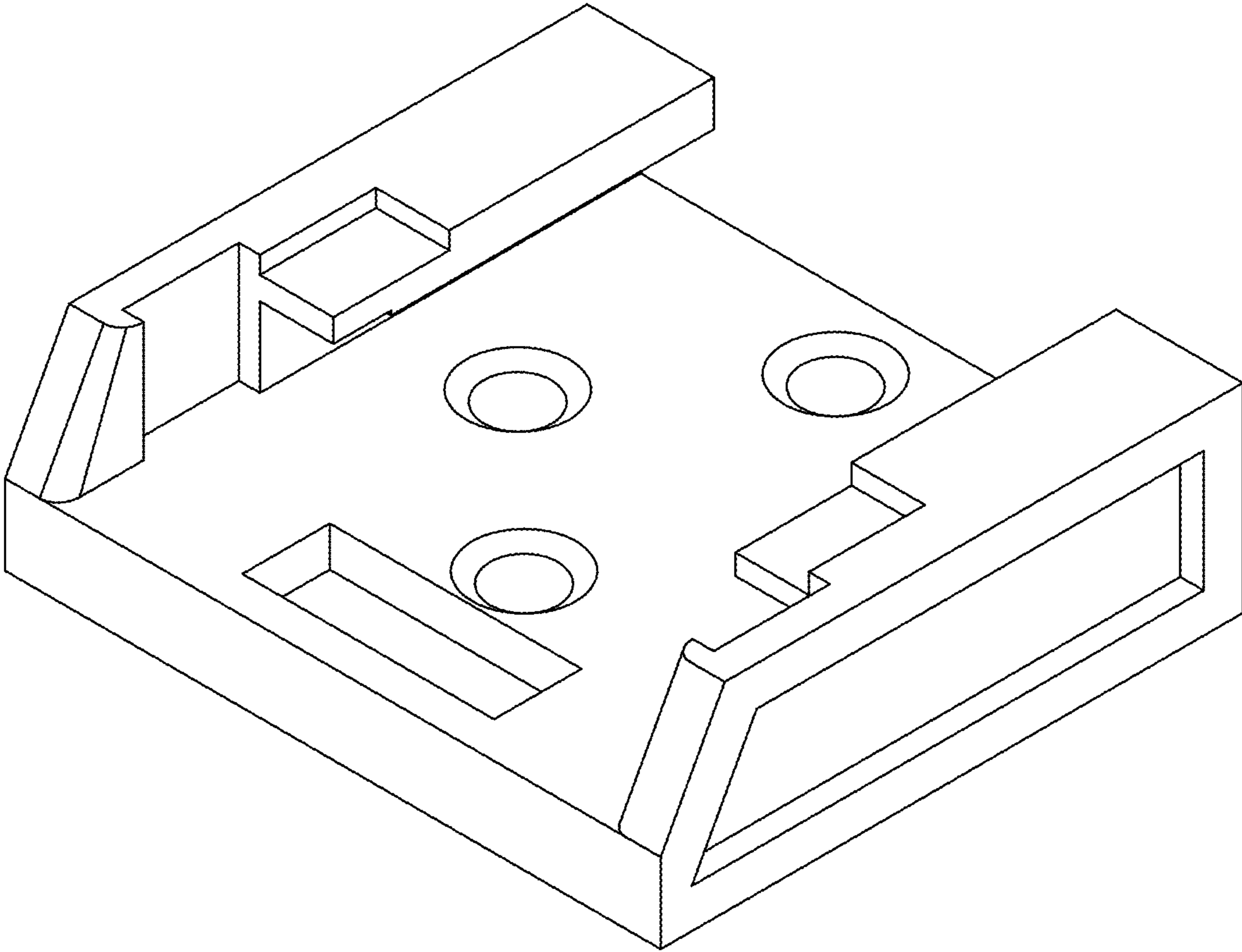


FIG. 1

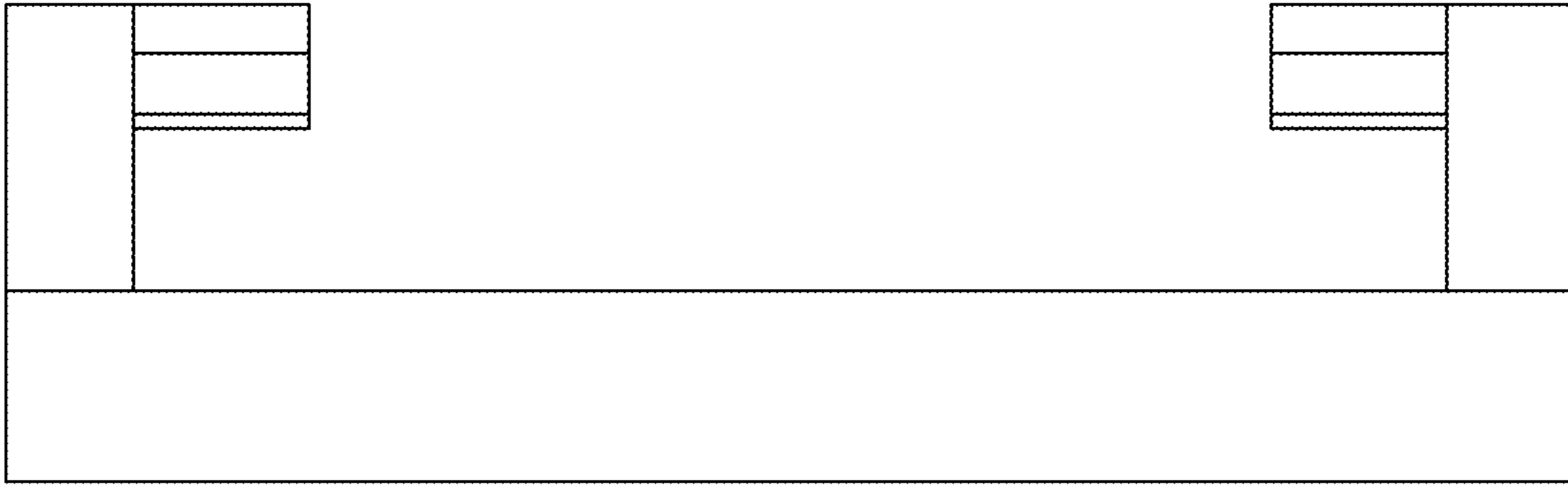


FIG. 2

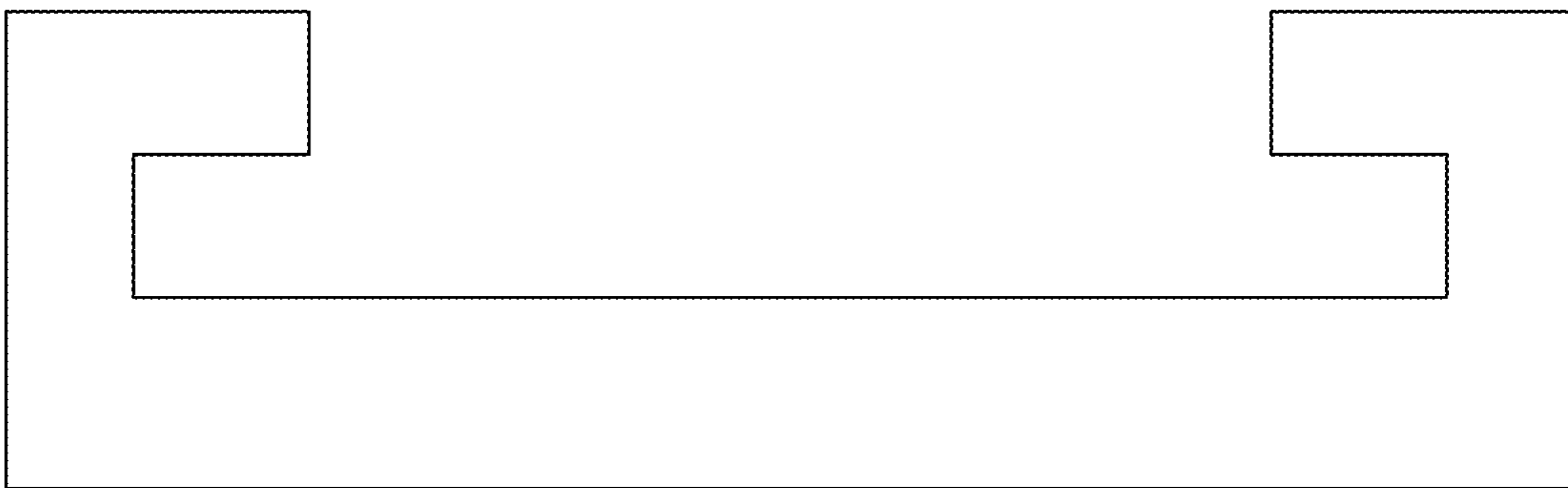


FIG. 3

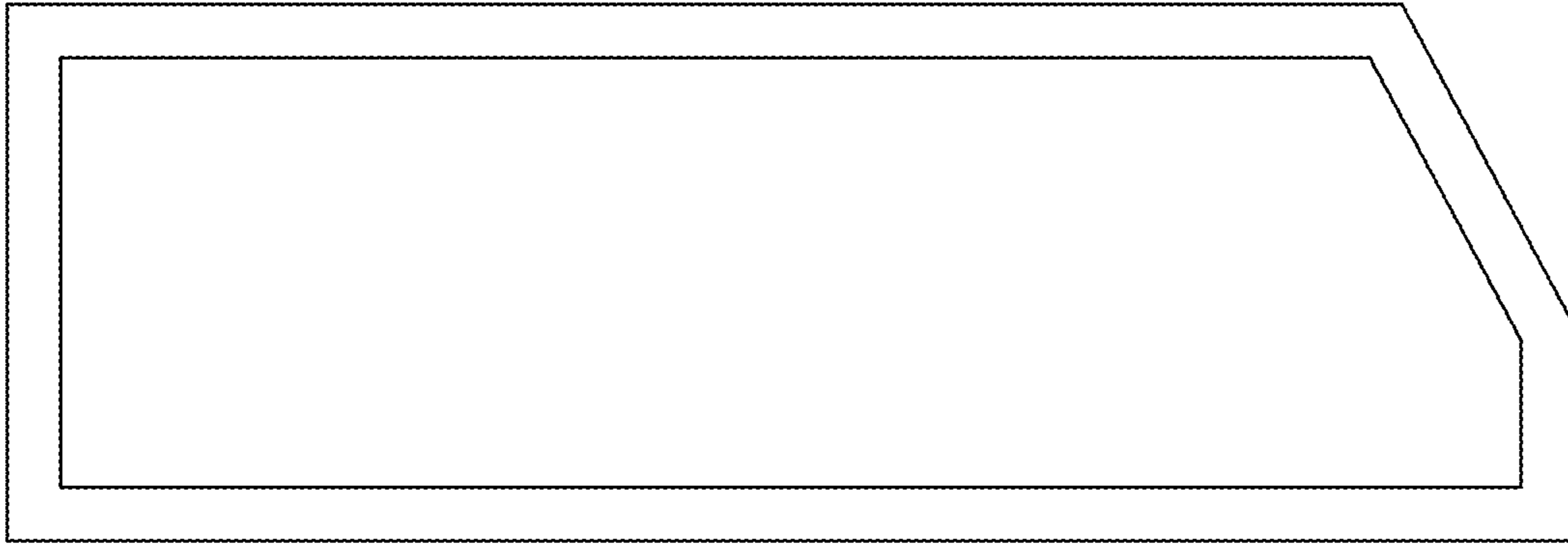


FIG. 4

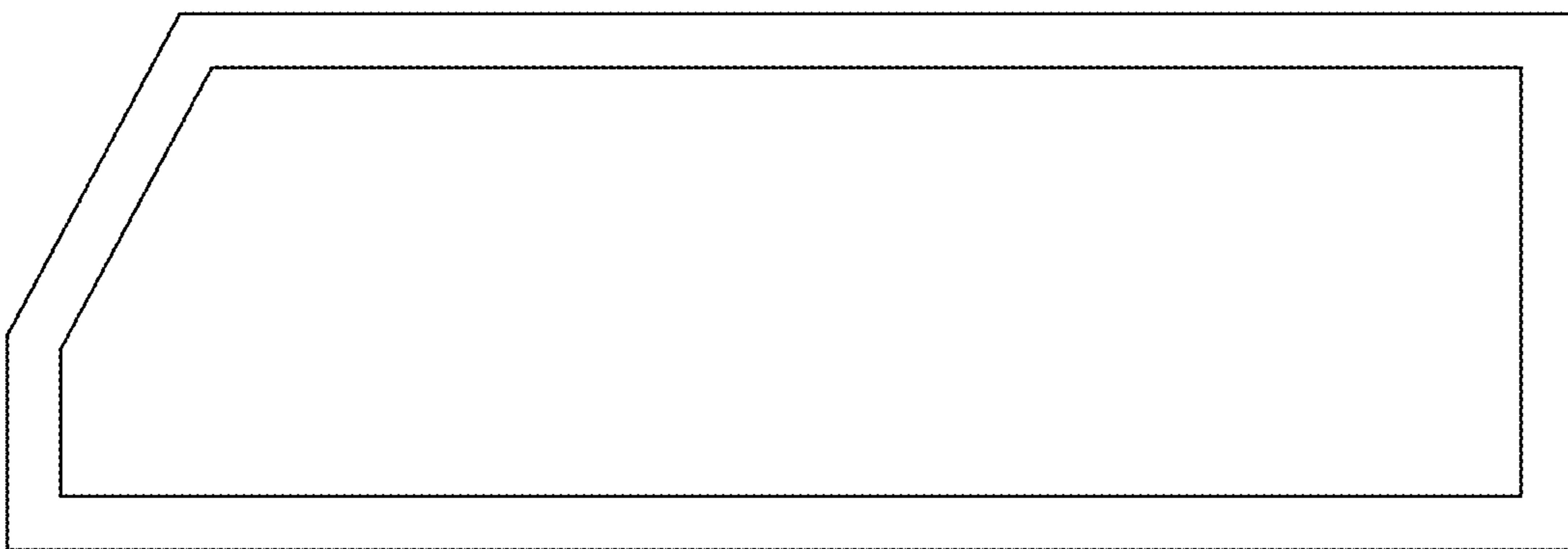


FIG. 5

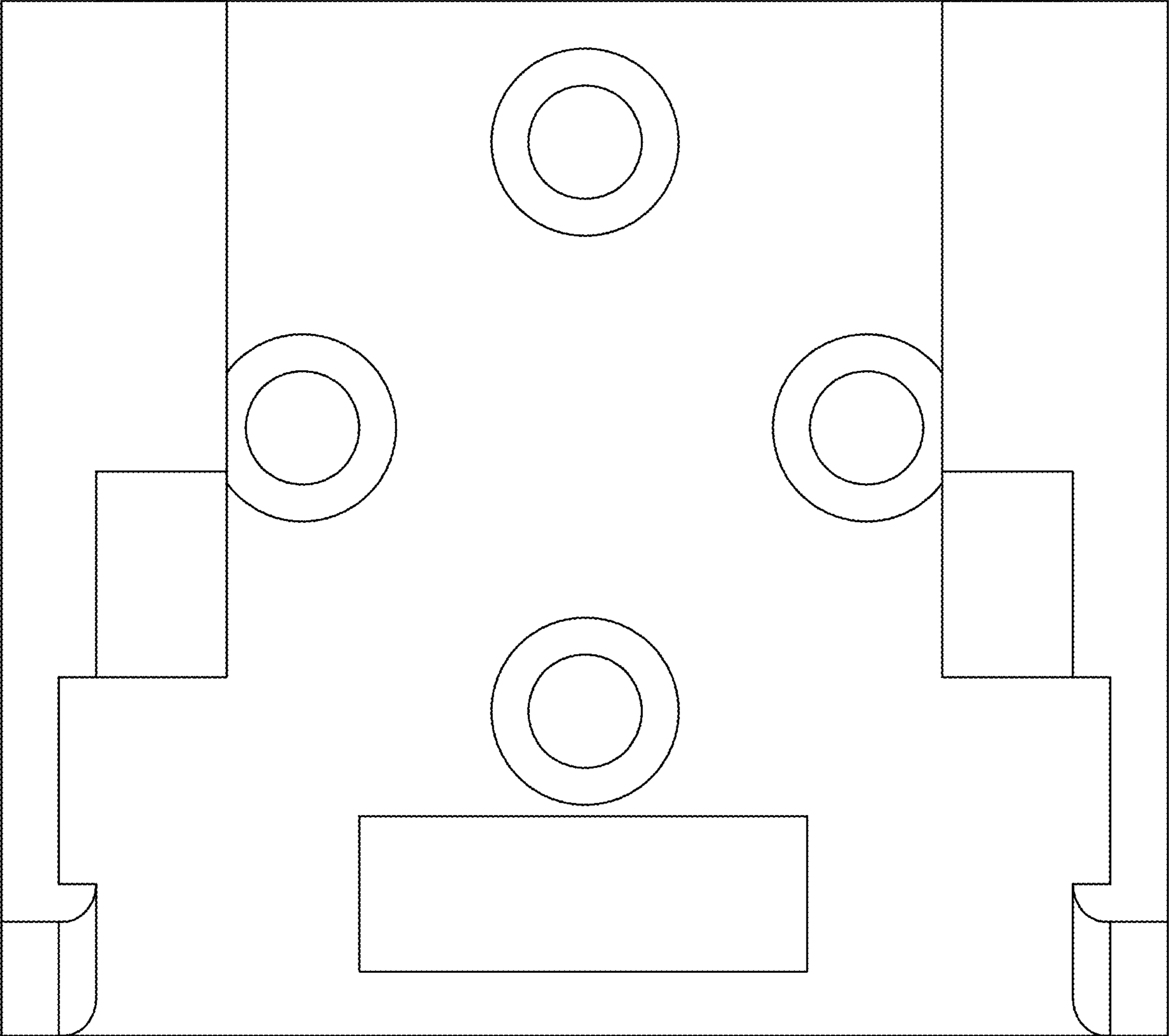


FIG. 6

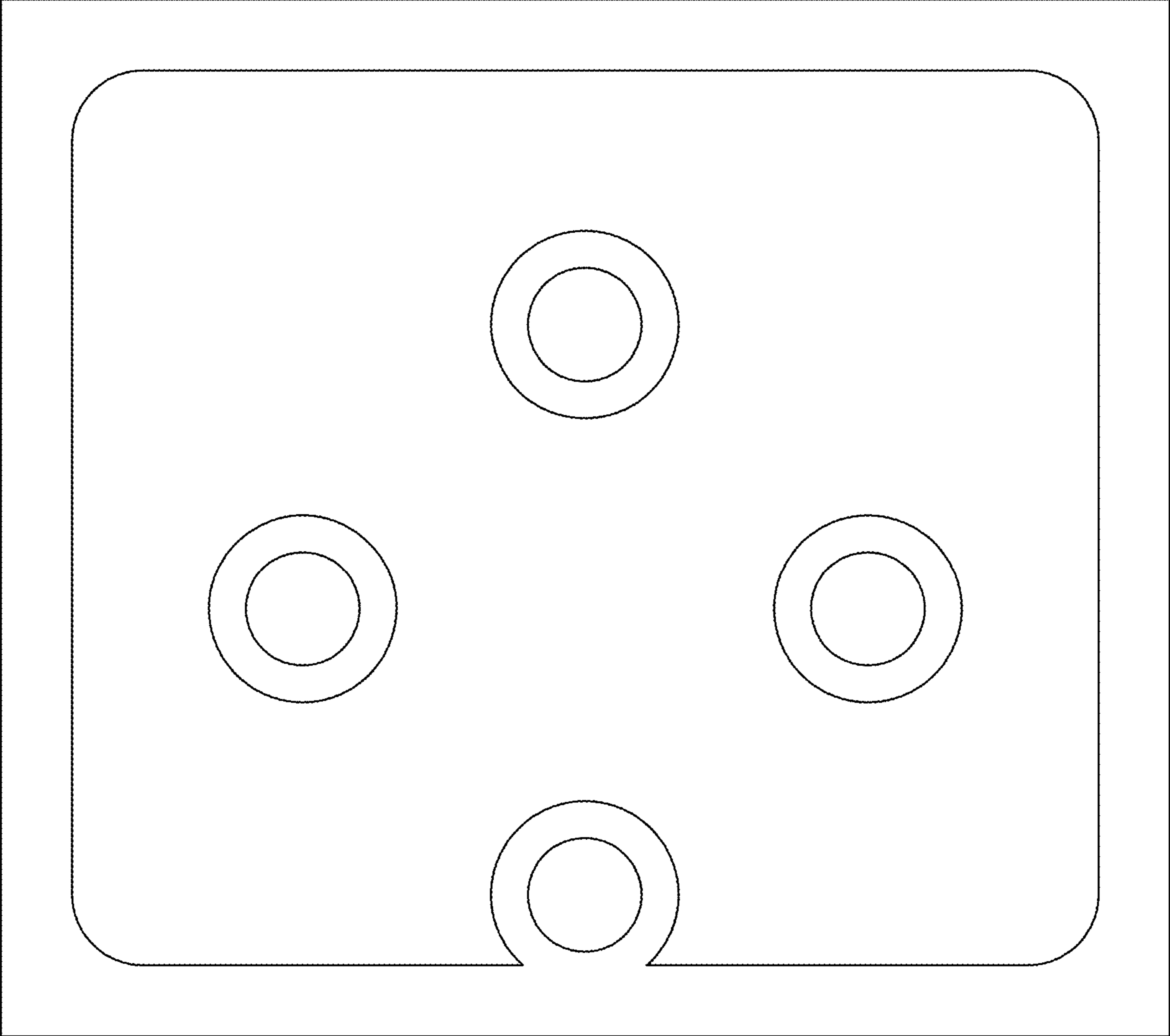


FIG. 7